



US00D786439S

(12) **United States Design Patent** (10) **Patent No.:** **US D786,439 S**
Kim (45) **Date of Patent:** **** May 9, 2017**

(54) **X-RAY APPARATUS**

FOREIGN PATENT DOCUMENTS

(71) Applicant: **Samsung Electronics Co., Ltd.**,
Suwon-si (KR)

EM 002035535-0004 5/2012
KR 30-2012-0024974 6/2013
KR 30-2014-0026472 2/2015

(72) Inventor: **Euisik Kim**, Seoul (KR)

Primary Examiner — Anhdao Doan

(73) Assignee: **Samsung Electronics Co., Ltd.**,
Suwon-si (KR)

(74) *Attorney, Agent, or Firm* — NSIP Law

(**) Term: **15 Years**

(57) **CLAIM**

(21) Appl. No.: **29/551,255**

I claim the ornamental design for an x-ray apparatus, as shown and described.

(22) Filed: **Jan. 12, 2016**

(30) **Foreign Application Priority Data**

DESCRIPTION

Sep. 8, 2015 (KR) 30-2015-0045561

(51) **LOC (10) Cl.** **24-01**

(52) **U.S. Cl.**
USPC **D24/158**

(58) **Field of Classification Search**
USPC D24/158–161, 185, 186, 107
CPC .. A61B 5/05; A61B 5/055; A61B 6/03; A61B
6/035; A61B 6/4405; A61B 6/4411; A61B
6/4435; A61B 6/4441; A61B 6/4447
See application file for complete search history.

FIG. 1 is a front perspective view of an x-ray apparatus showing my new design;
FIG. 2 is a front view thereof;
FIG. 3 is a rear view thereof;
FIG. 4 is a left-side view thereof;
FIG. 5 is a right-side view thereof;
FIG. 6 is a top view thereof;
FIG. 7 is a bottom view thereof;
FIG. 8 is a rear perspective view thereof;
FIG. 9 is a bottom perspective view thereof;
FIG. 10 is another rear perspective view of the x-ray apparatus shown in an alternate configuration;
FIG. 11 is an enlarged view of the encircled portion in FIG. 6; and,
FIG. 12 is an enlarged view of the encircled portion in FIG. 10.

(56) **References Cited**

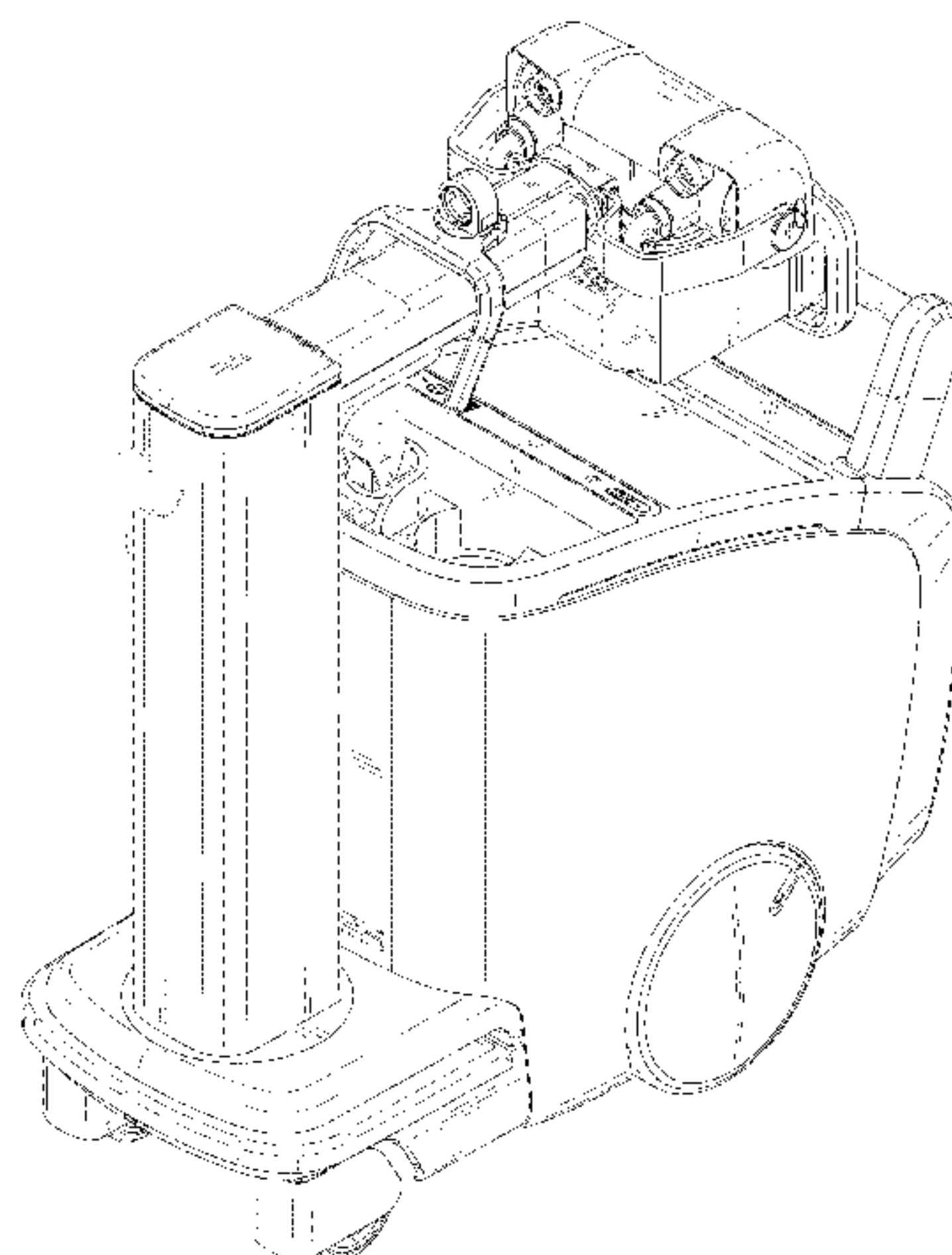
U.S. PATENT DOCUMENTS

D617,906 S * 6/2010 Nakahara D24/158
D657,875 S * 4/2012 Yanase D24/158
D690,011 S * 9/2013 Yanase D24/158
D690,012 S * 9/2013 Yanase D24/158
D702,351 S * 4/2014 Li D24/158
D724,738 S * 3/2015 Dorris D24/158
D769,446 S * 10/2016 Liu D24/158
2010/0329426 A1 * 12/2010 Oda A61B 6/4405
378/98.2
2010/0329427 A1 * 12/2010 Takae A61B 6/4405
378/98.5
2013/0136240 A1 * 5/2013 Causape
Rodriguez A61B 6/4405
378/198

The broken lines in the figures show portions of the x-ray apparatus which form no part of the claimed design.
The dot-dash broken lines encircling portions of the claimed design that are illustrated in enlargements form no part of the claimed design.

(Continued)

1 Claim, 11 Drawing Sheets



(56)

References Cited

U.S. PATENT DOCUMENTS

2014/0233703 A1* 8/2014 Omura A61B 6/4405
378/98
2016/0199013 A1* 7/2016 Moreno Vallejo ... A61B 6/4405
378/194

* cited by examiner

FIG. 1

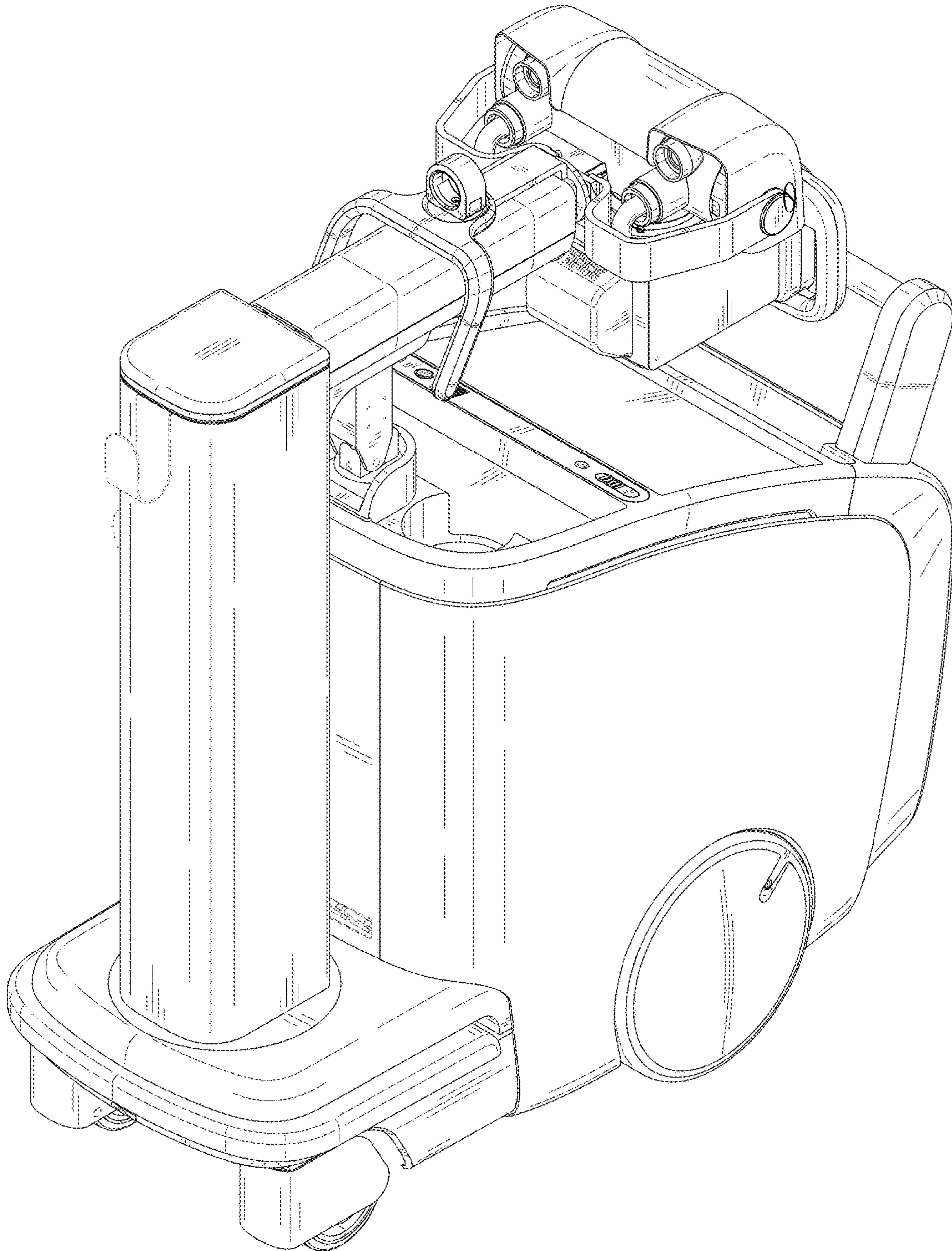


FIG. 2

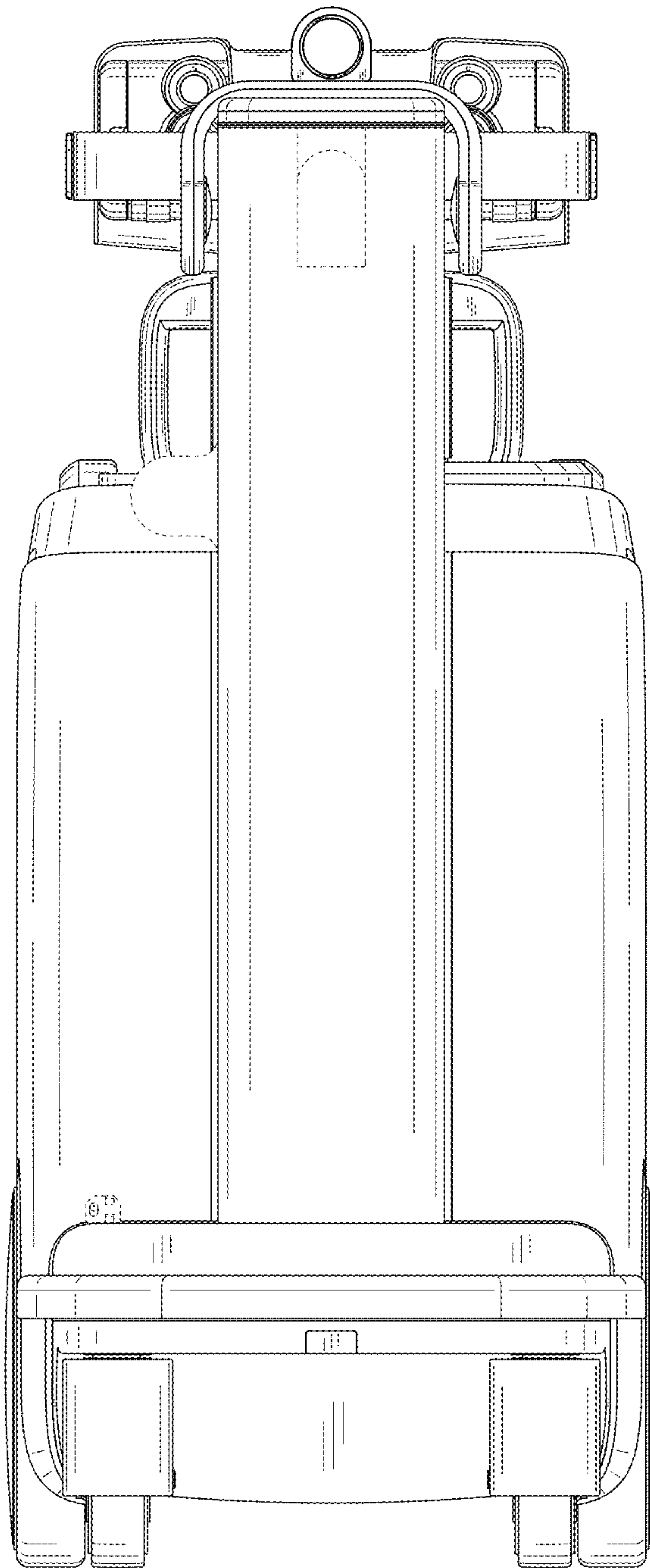


FIG. 3

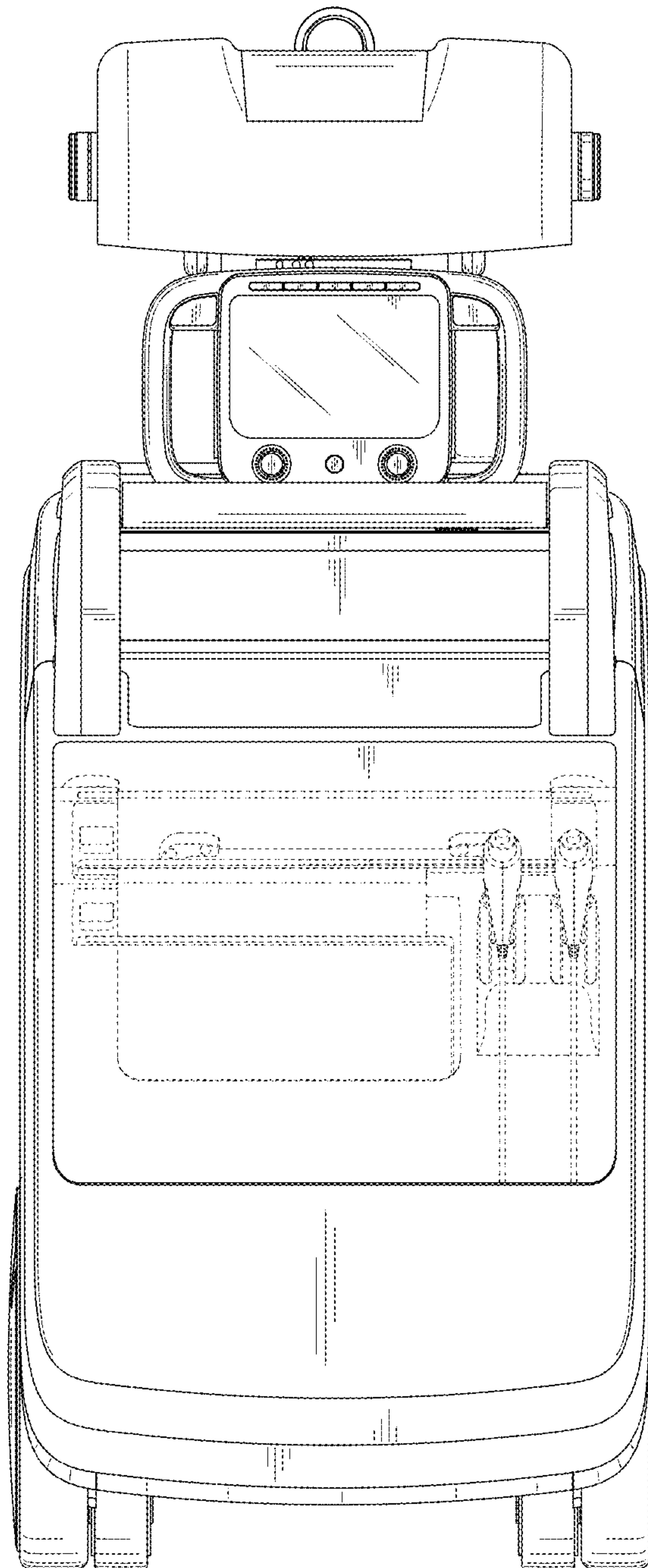


FIG. 4

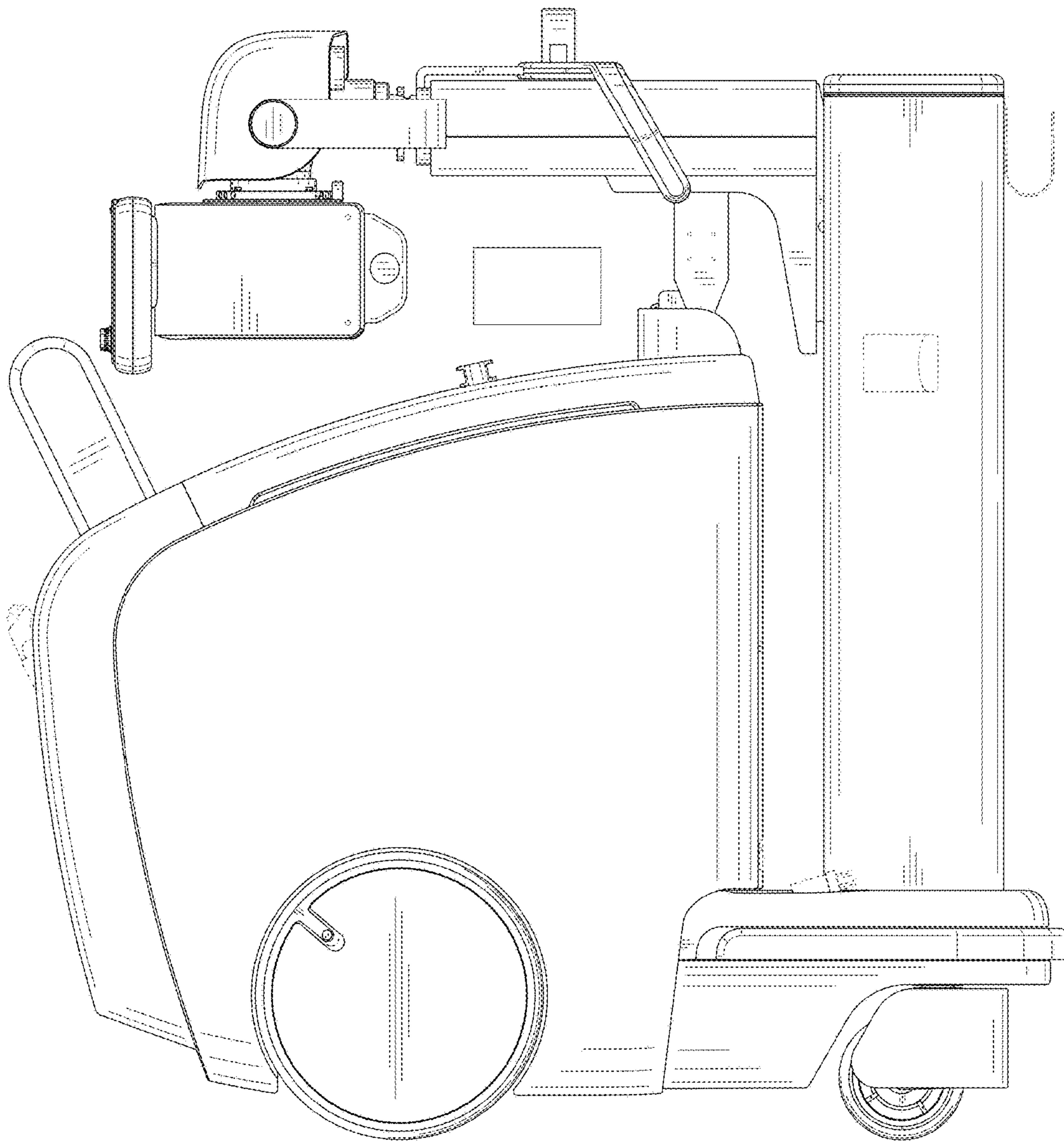


FIG. 5

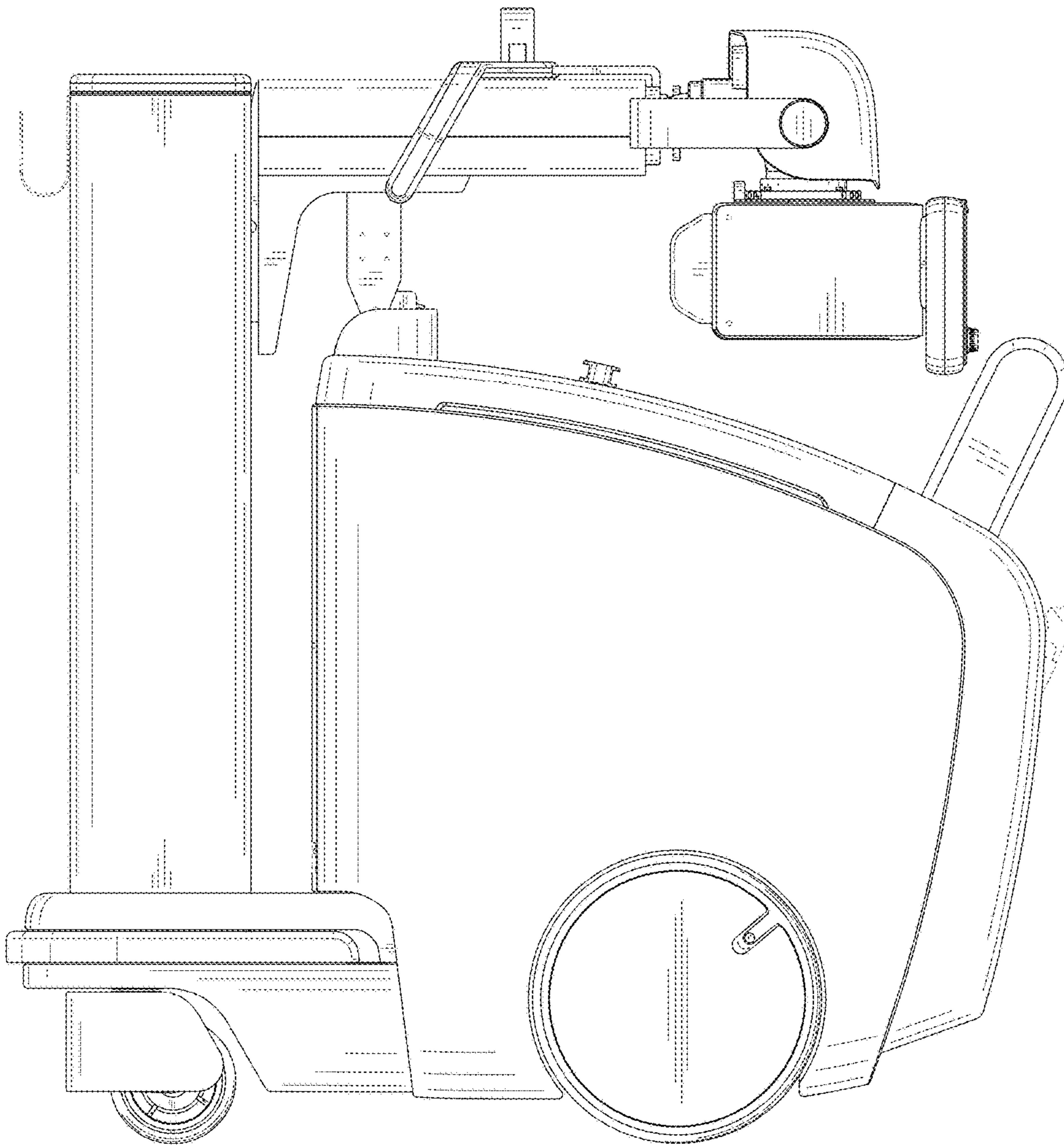


FIG. 6

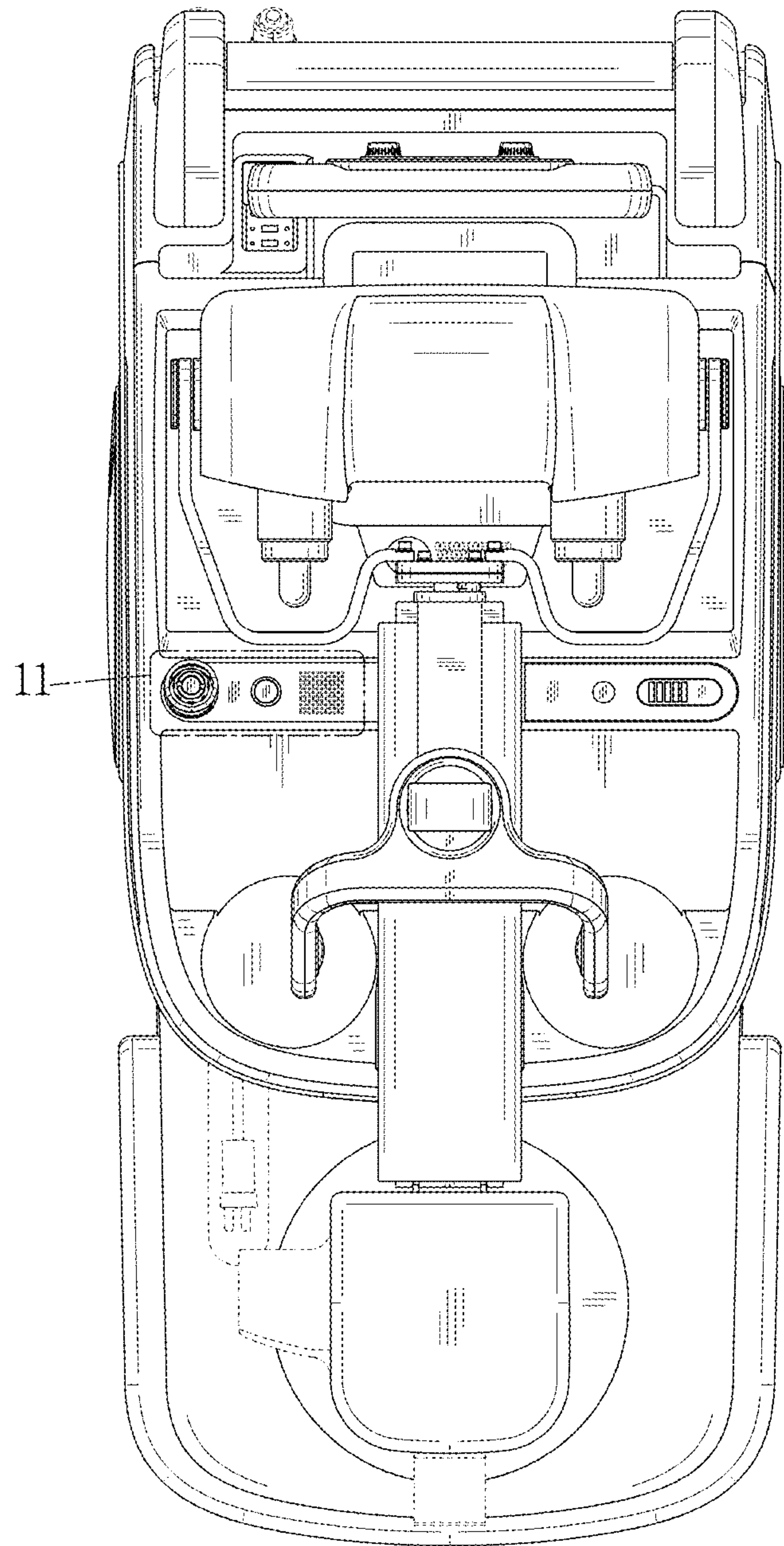


FIG. 7

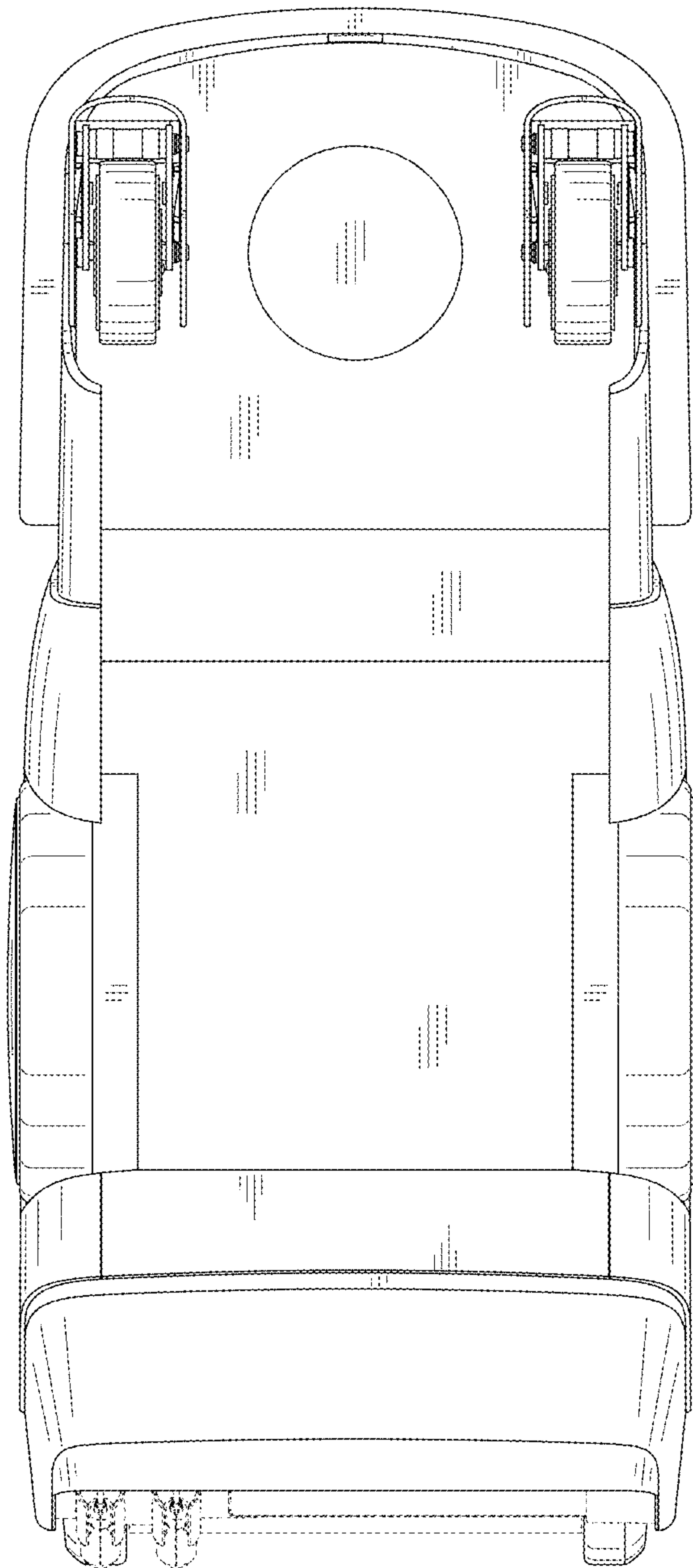


FIG. 8

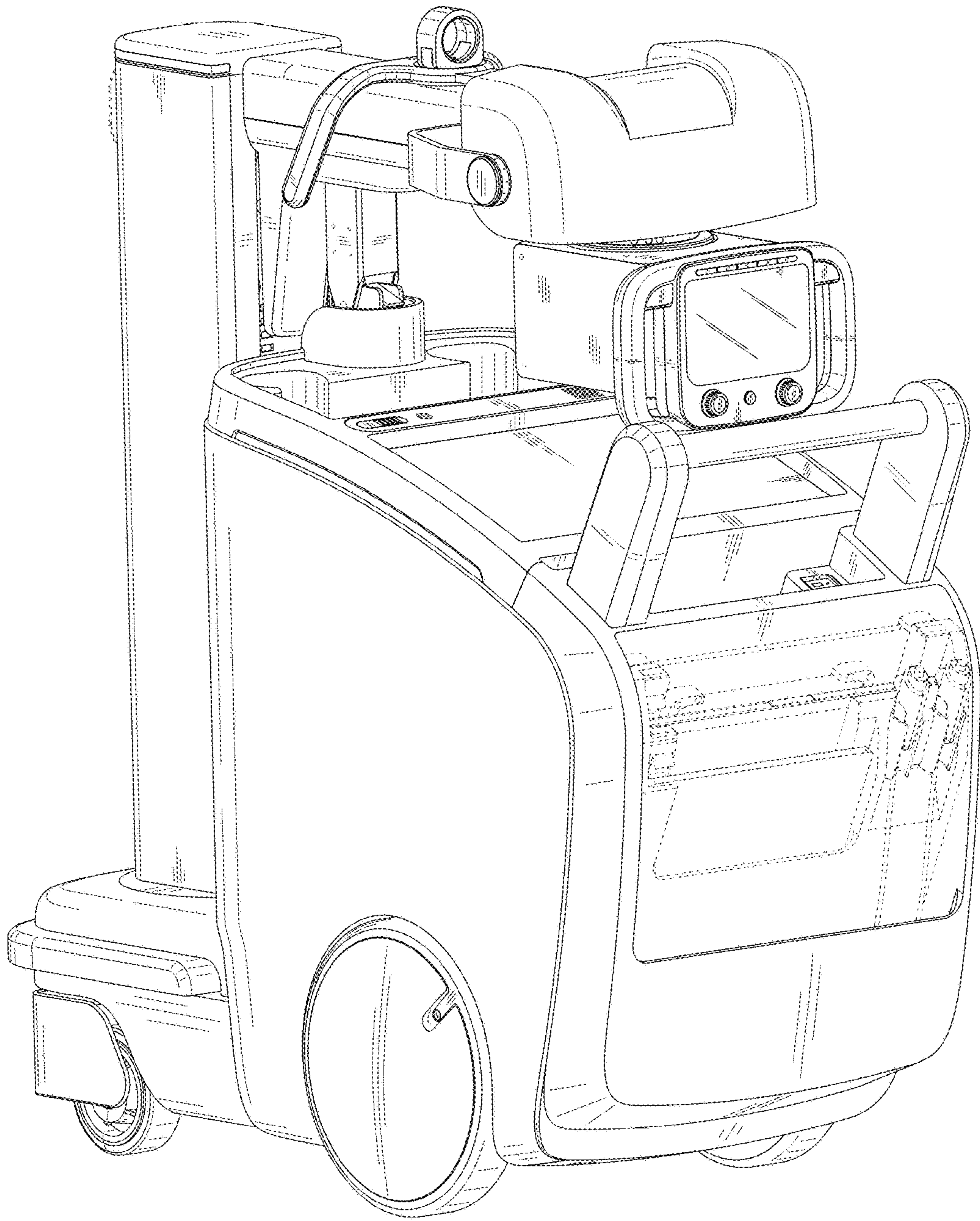


FIG. 9

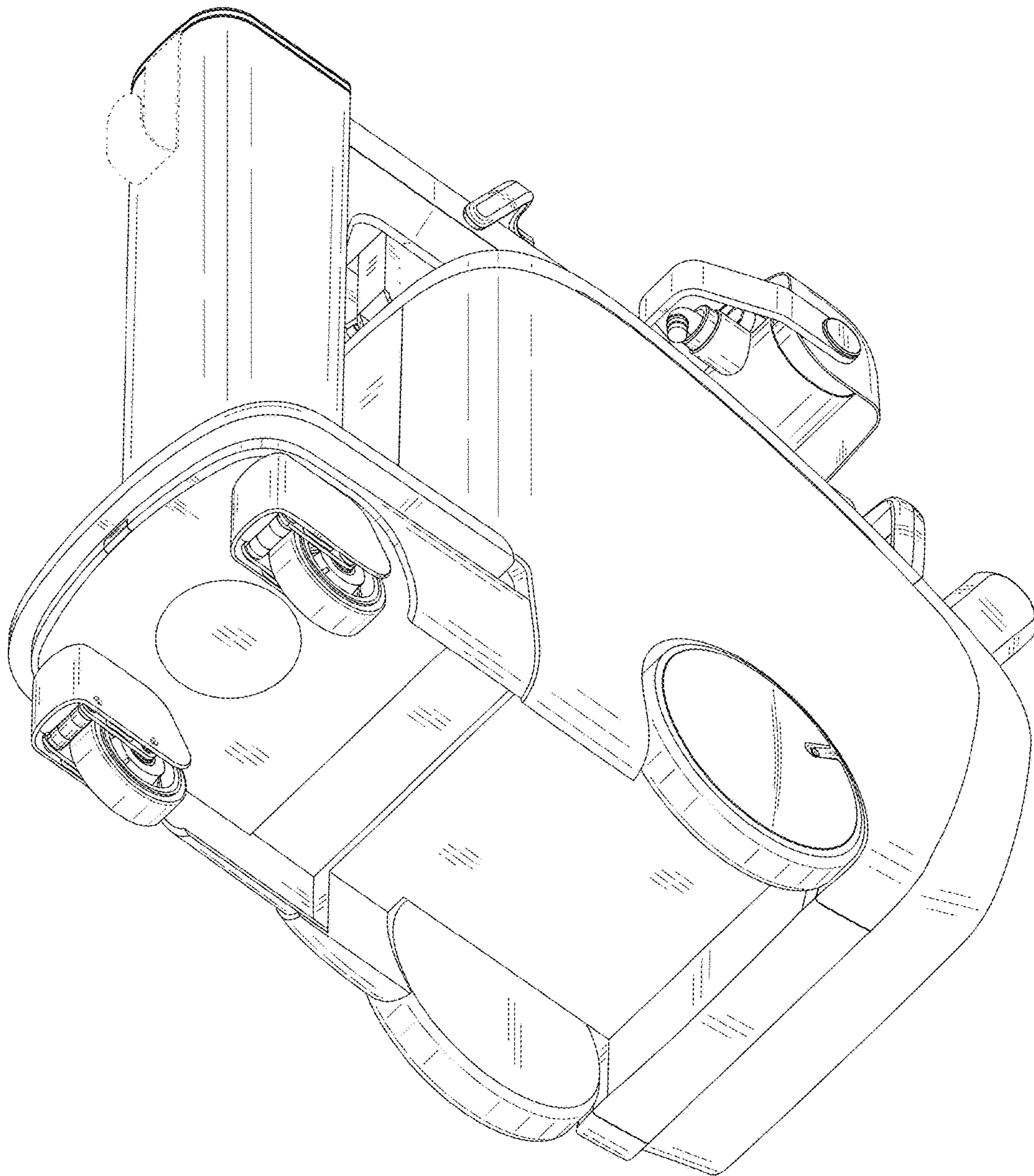


FIG. 10

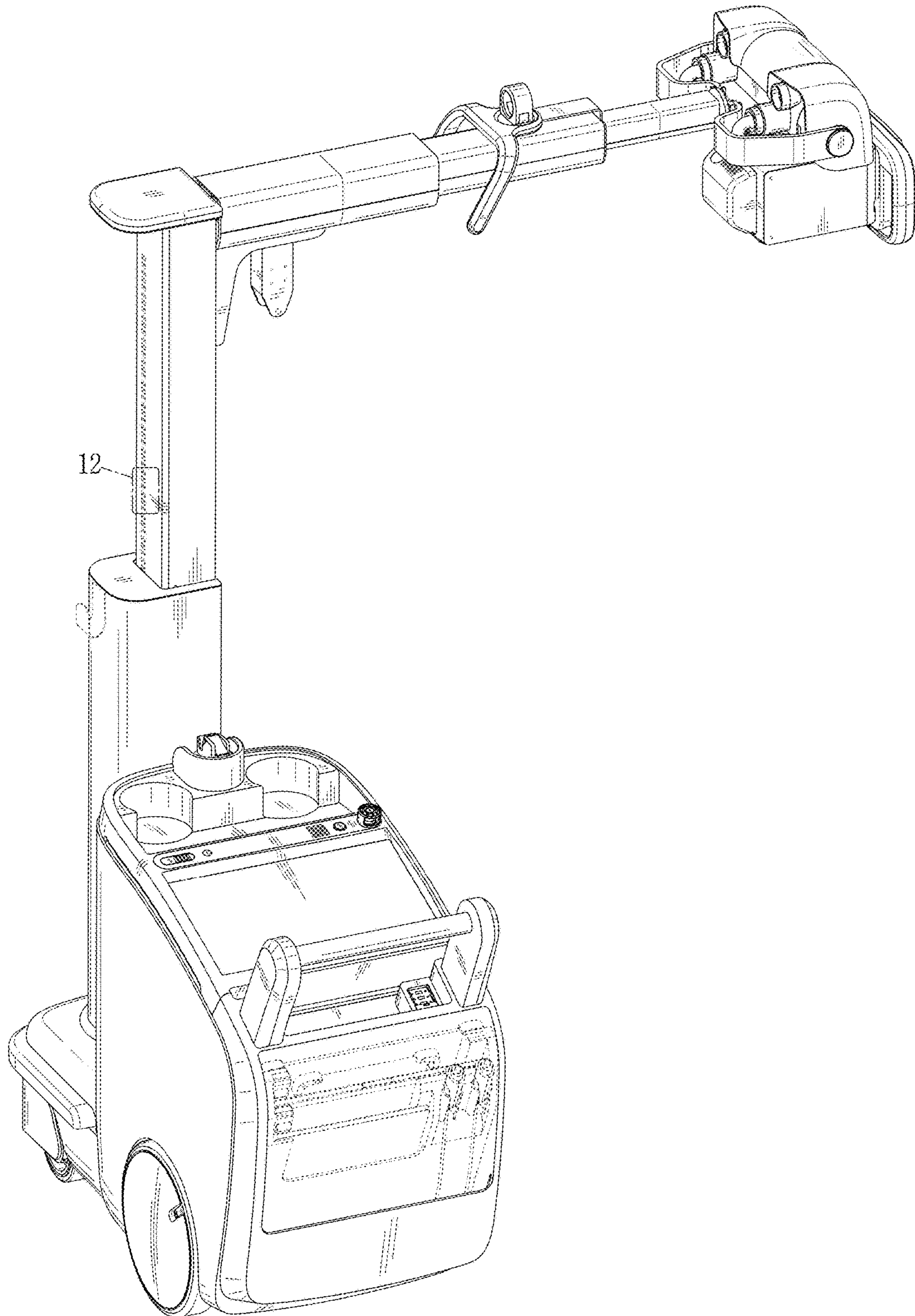


FIG. 11

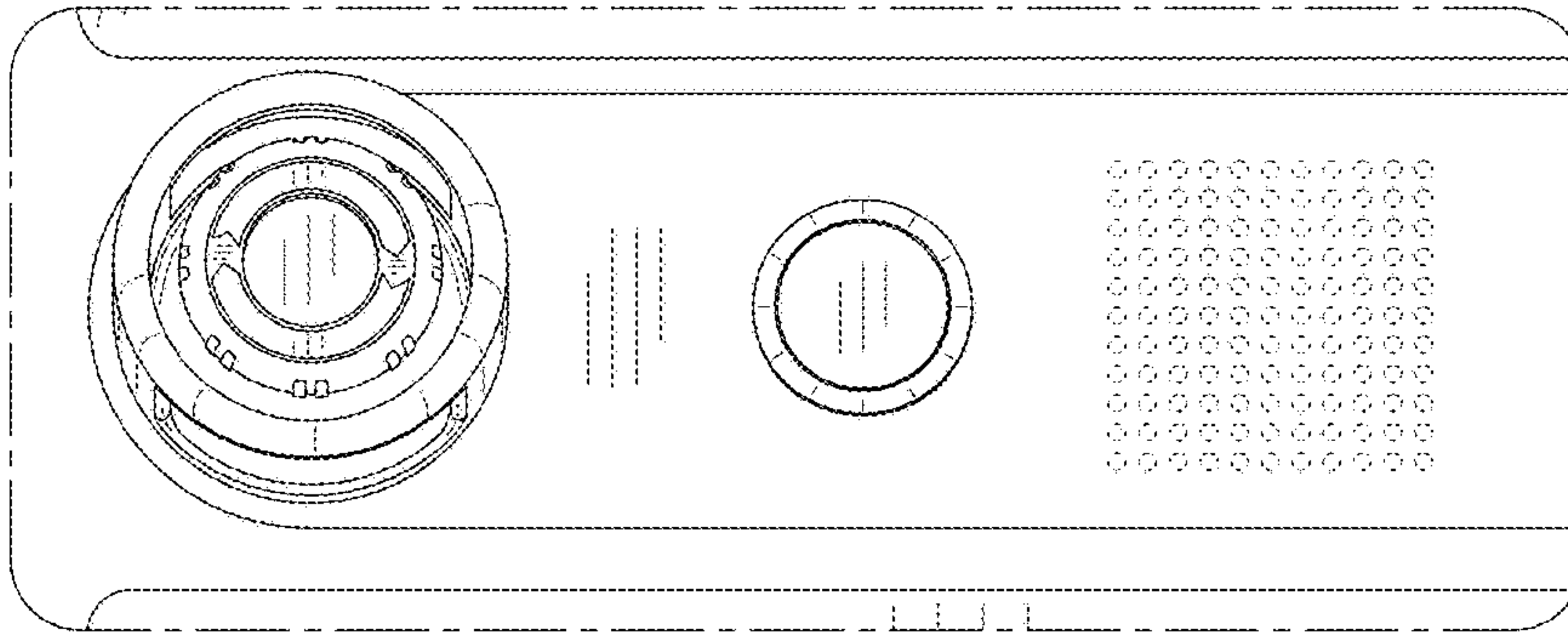


FIG. 12

