



US00D786431S

(12) **United States Design Patent**  
**Jenkins et al.**

(10) **Patent No.:** **US D786,431 S**

(45) **Date of Patent:** **\*\* May 9, 2017**

(54) **INFANT HEEL INCISION DEVICE**  
(71) Applicant: **ALLESET HEALTHCARE, INC.**,  
Flowery Branch, GA (US)  
(72) Inventors: **Brian E. Jenkins**, Cumming, GA (US);  
**Shoval Dekel**, Cumming, GA (US);  
**Ahmad M. Nasir**, Sugar Hill, GA  
(US); **Peyton Yu**, Buford, GA (US)

6,221,089 B1 \* 4/2001 Mawhirt ..... A61B 5/150022  
606/181  
7,316,698 B1 \* 1/2008 Galloway ..... A61B 17/3209  
600/583  
7,704,265 B2 \* 4/2010 Schraga ..... A61B 5/1411  
30/335  
D648,852 S \* 11/2011 Shi ..... D24/146  
D660,431 S \* 5/2012 Holley ..... D24/147  
8,496,602 B2 \* 7/2013 Harttig ..... A61B 5/1411  
600/584

(Continued)

(73) Assignee: **Global Resources International, Inc.**,  
Flowery Branch, GA (US)

*Primary Examiner* — David Muller

(74) *Attorney, Agent, or Firm* — Withers & Keys, LLC

(\*\*) Term: **15 Years**

(57) **CLAIM**

The ornamental design for an infant heel incision device, as shown and described.

(21) Appl. No.: **29/547,080**

(22) Filed: **Dec. 1, 2015**

**DESCRIPTION**

(51) **LOC (10) Cl.** ..... **24-02**

(52) **U.S. Cl.**

USPC ..... **D24/146**

(58) **Field of Classification Search**

USPC ..... D24/146, 147, 127–131, 112–114, 133,  
D24/186; 606/181, 185, 167; 604/264,  
604/523–528, 272, 187, 158,  
604/164.01–164.11, 181, 184, 227;  
600/101, 139, 143; 128/200.24, 207.14,  
128/207.15

CPC ..... A61B 5/150022; A61B 5/150297; A61B  
5/150442; A61B 5/15142; A61B 5/15117;  
A61B 5/15113

See application file for complete search history.

FIG. 1 is a perspective view of an infant heel incision device showing our new design as viewed from a front left-hand side of the infant heel incision device;

FIG. 2 is a perspective view of the infant heel incision device shown in FIG. 1 as viewed from a front right-hand side of the infant heel incision device;

FIG. 3 is a frontal view of the infant heel incision device shown in FIG. 1;

FIG. 4 is a rear view of the infant heel incision device shown in FIG. 1;

FIG. 5 is a top view of the infant heel incision device shown in FIG. 3;

FIG. 6 is a bottom view of the infant heel incision device shown in FIG. 3;

FIG. 7 is a side view as viewed from the right-hand side of the infant heel incision device shown in FIG. 3; and,

FIG. 8 is a side view as viewed from the left-hand side of the infant heel incision device shown in FIG. 3.

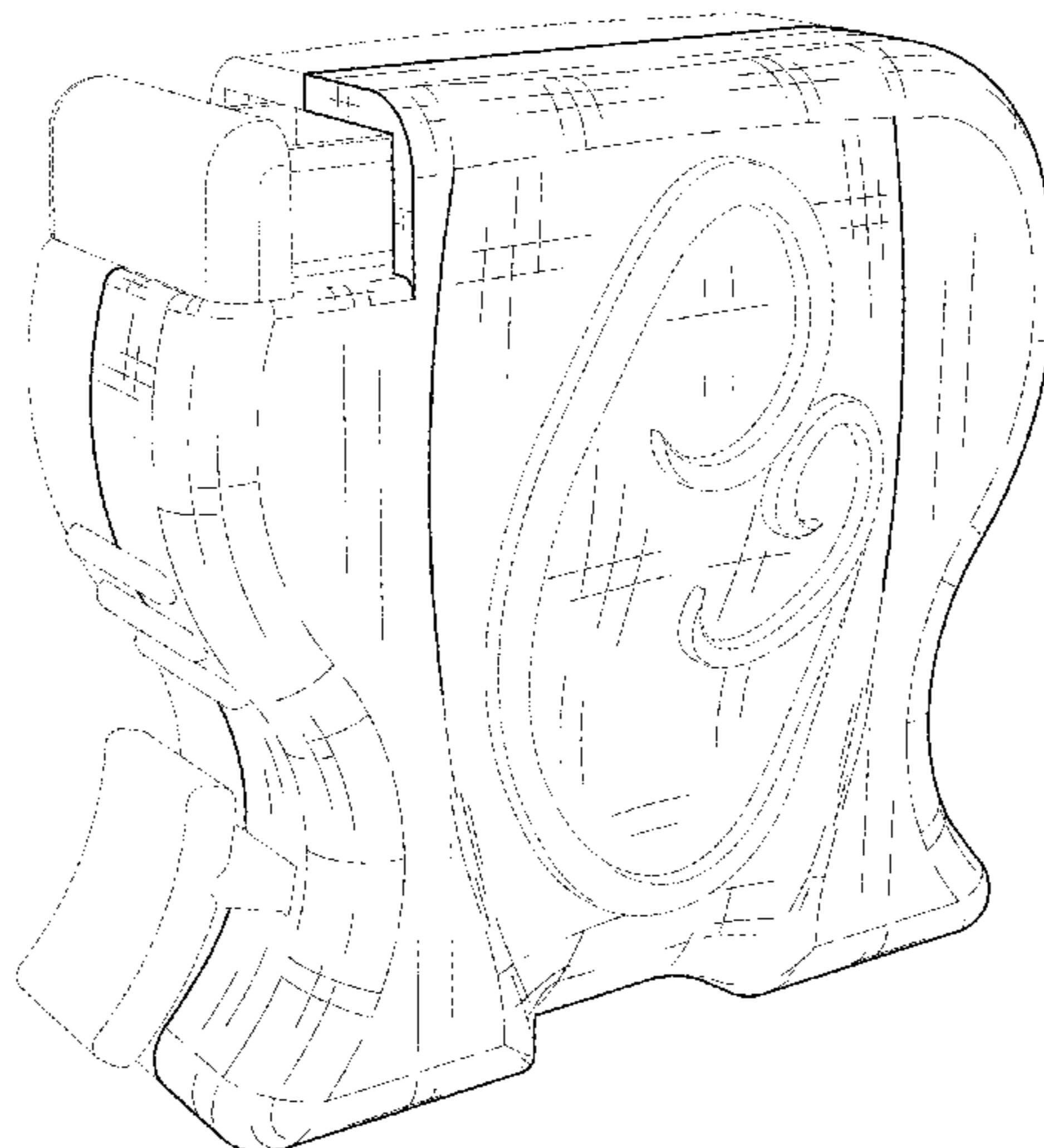
The broken lines shown in the drawings illustrate portions of the infant heel incision device that forms no part of the claimed design.

(56) **References Cited**

U.S. PATENT DOCUMENTS

D245,040 S \* 7/1977 Thomas ..... D24/147  
4,539,988 A \* 9/1985 Shirley ..... A61B 5/15142  
606/182  
D297,978 S \* 10/1988 White ..... D24/147  
5,772,677 A \* 6/1998 Mawhirt ..... A61B 17/32093  
606/181

**1 Claim, 8 Drawing Sheets**



(56)

**References Cited**

U.S. PATENT DOCUMENTS

D728,787 S \* 5/2015 Booker ..... D24/146  
9,138,184 B2 \* 9/2015 Lum ..... A61B 5/1411  
D742,004 S \* 10/2015 Rozwadowski ..... D24/146

\* cited by examiner

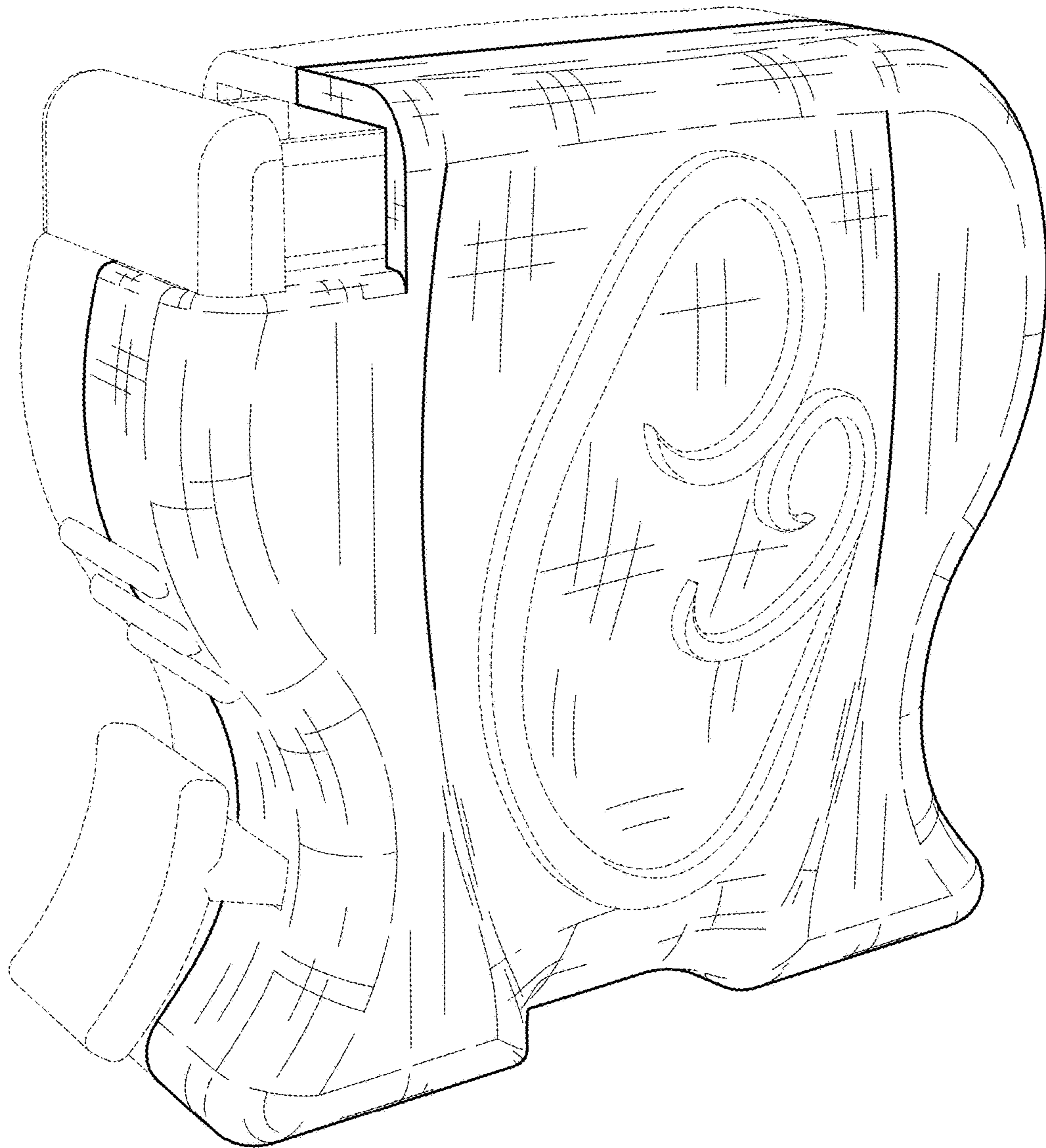


FIG. 1

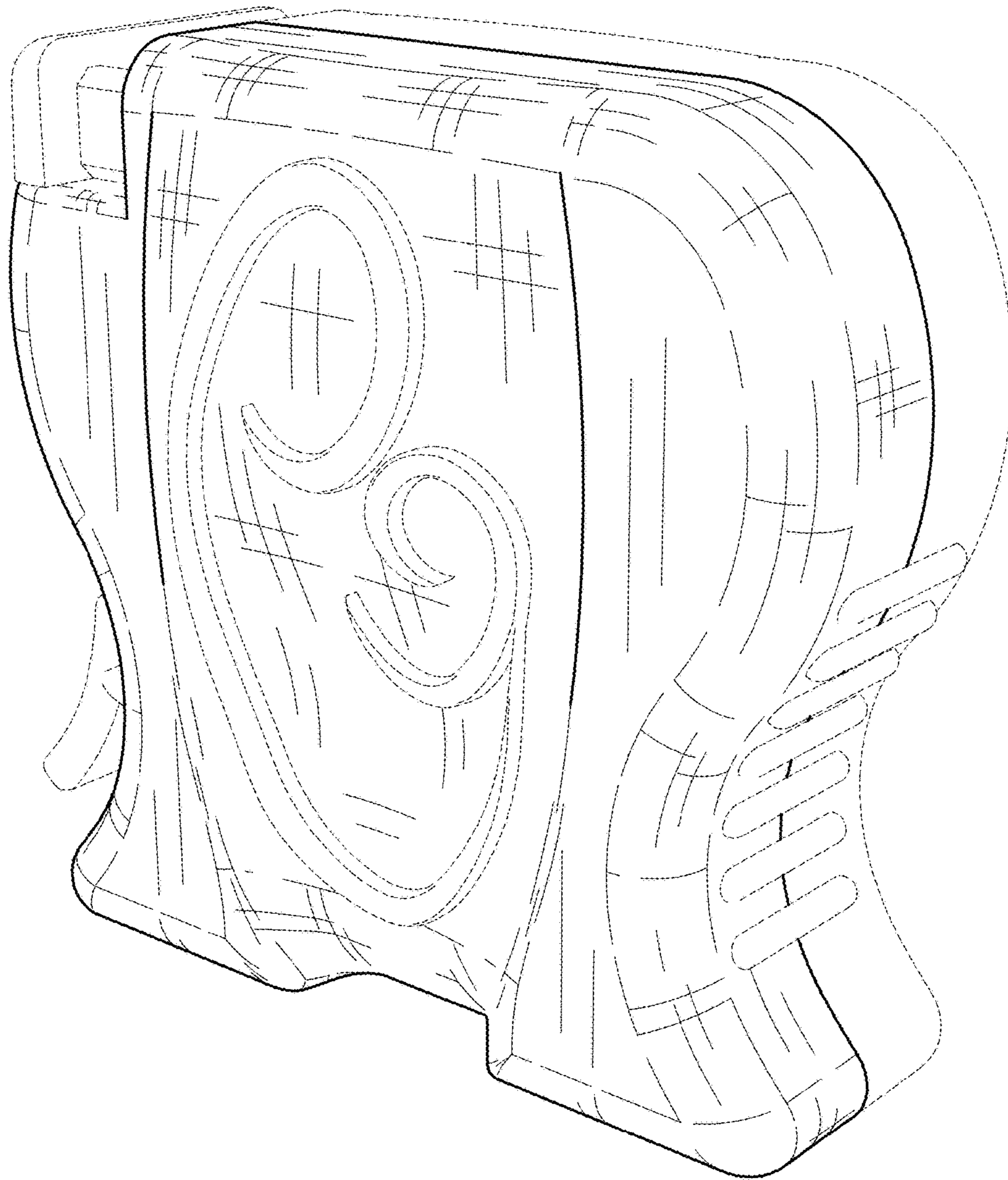


FIG. 2

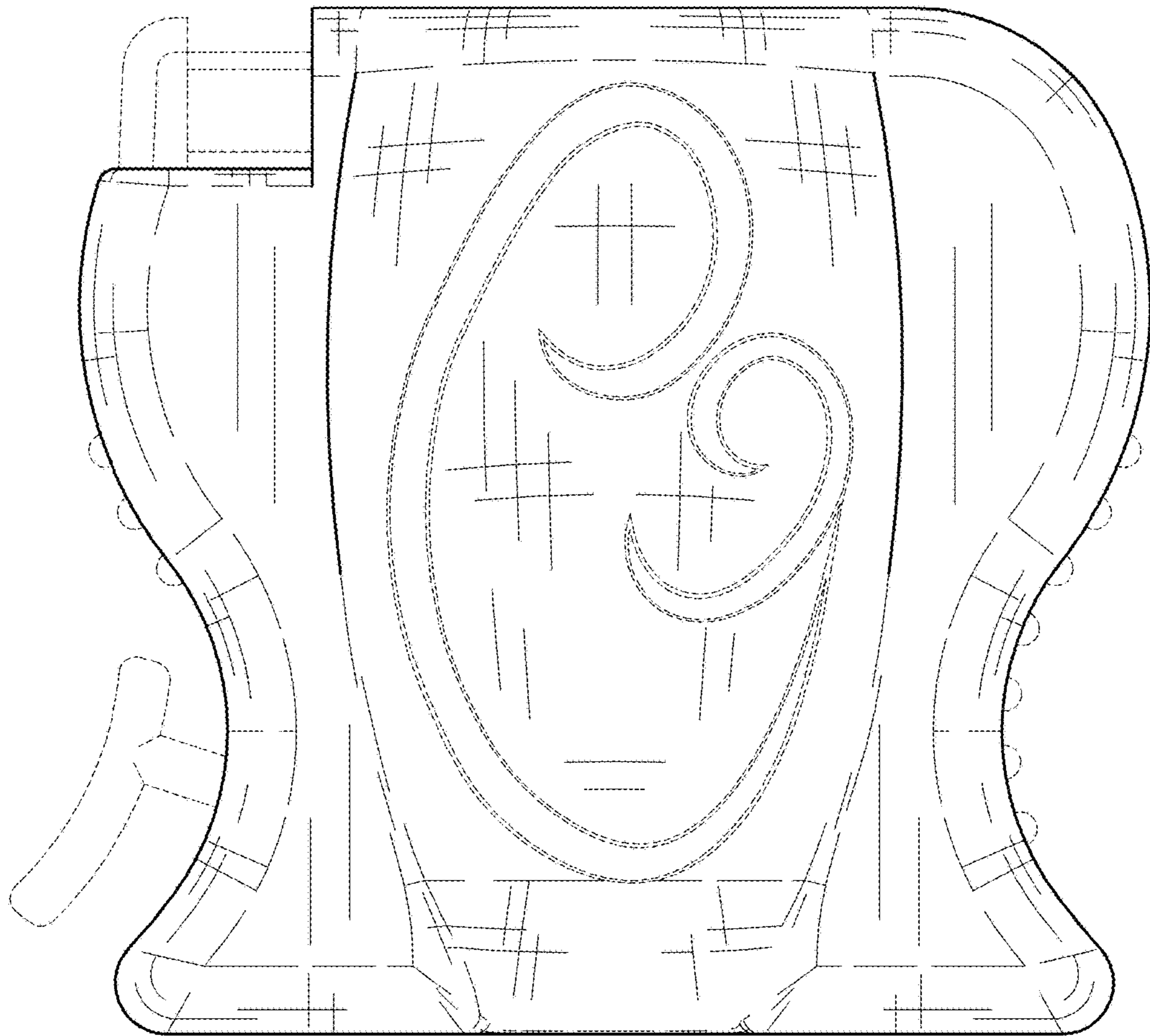


FIG. 3

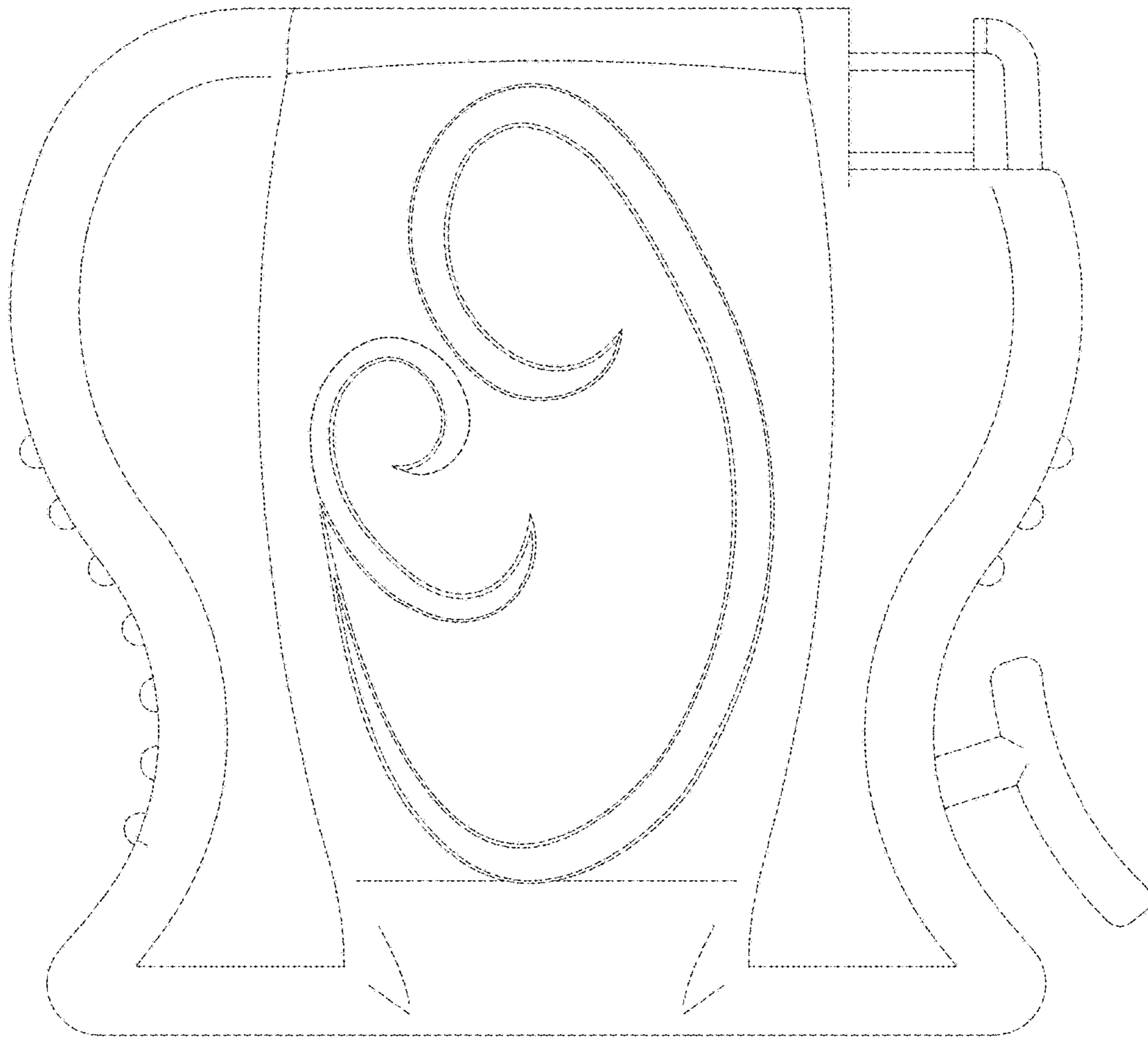


FIG. 4

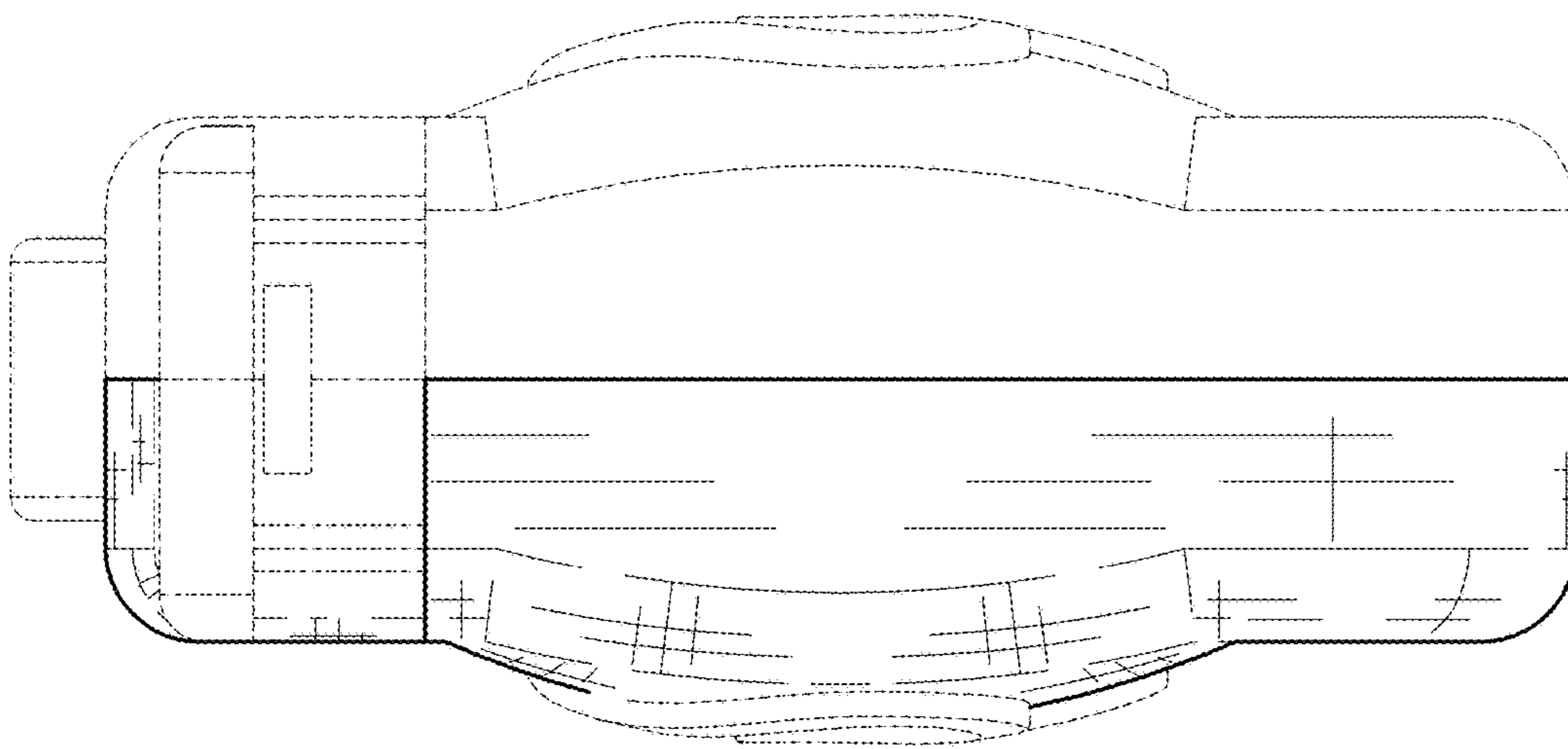


FIG. 5

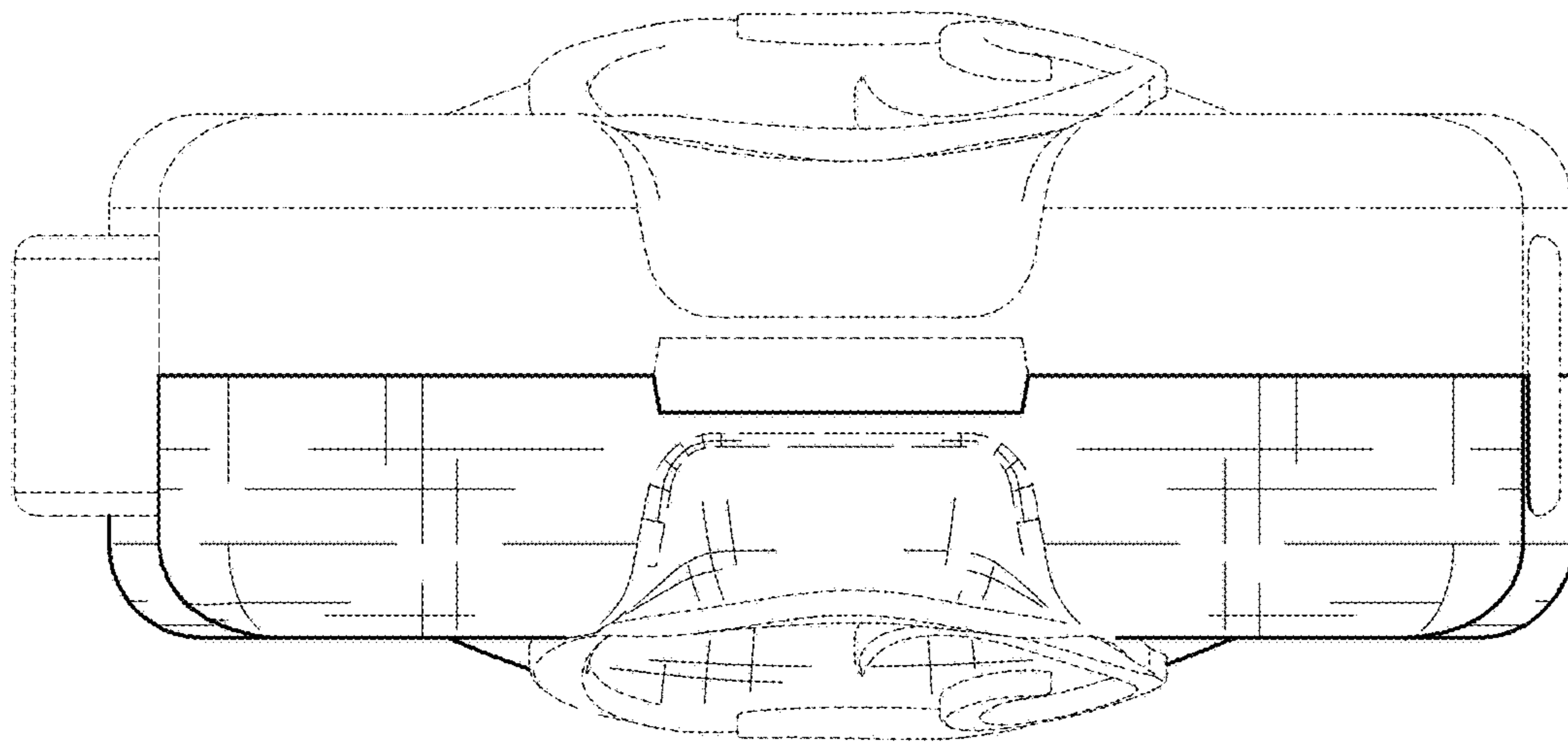


FIG. 6



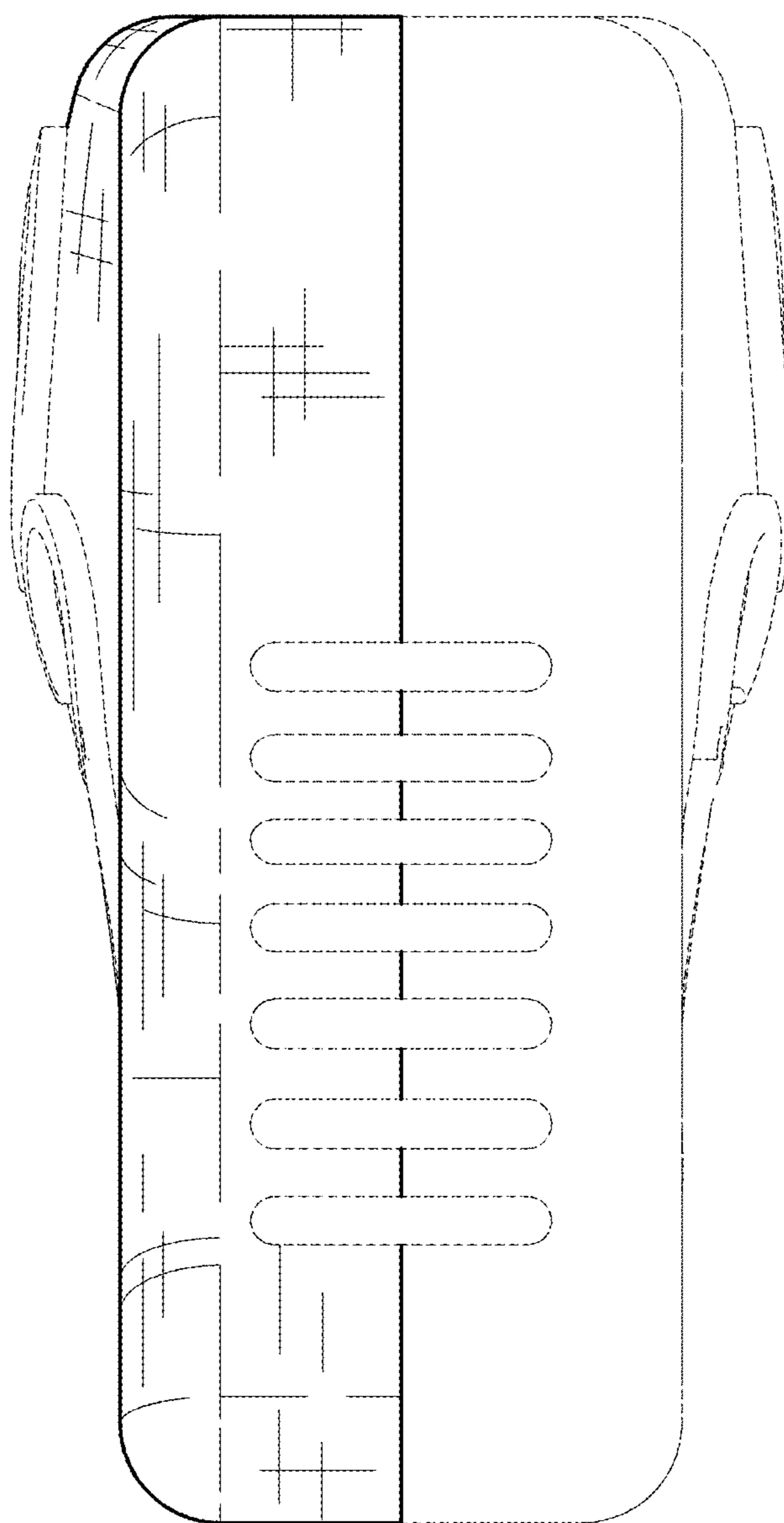


FIG. 7

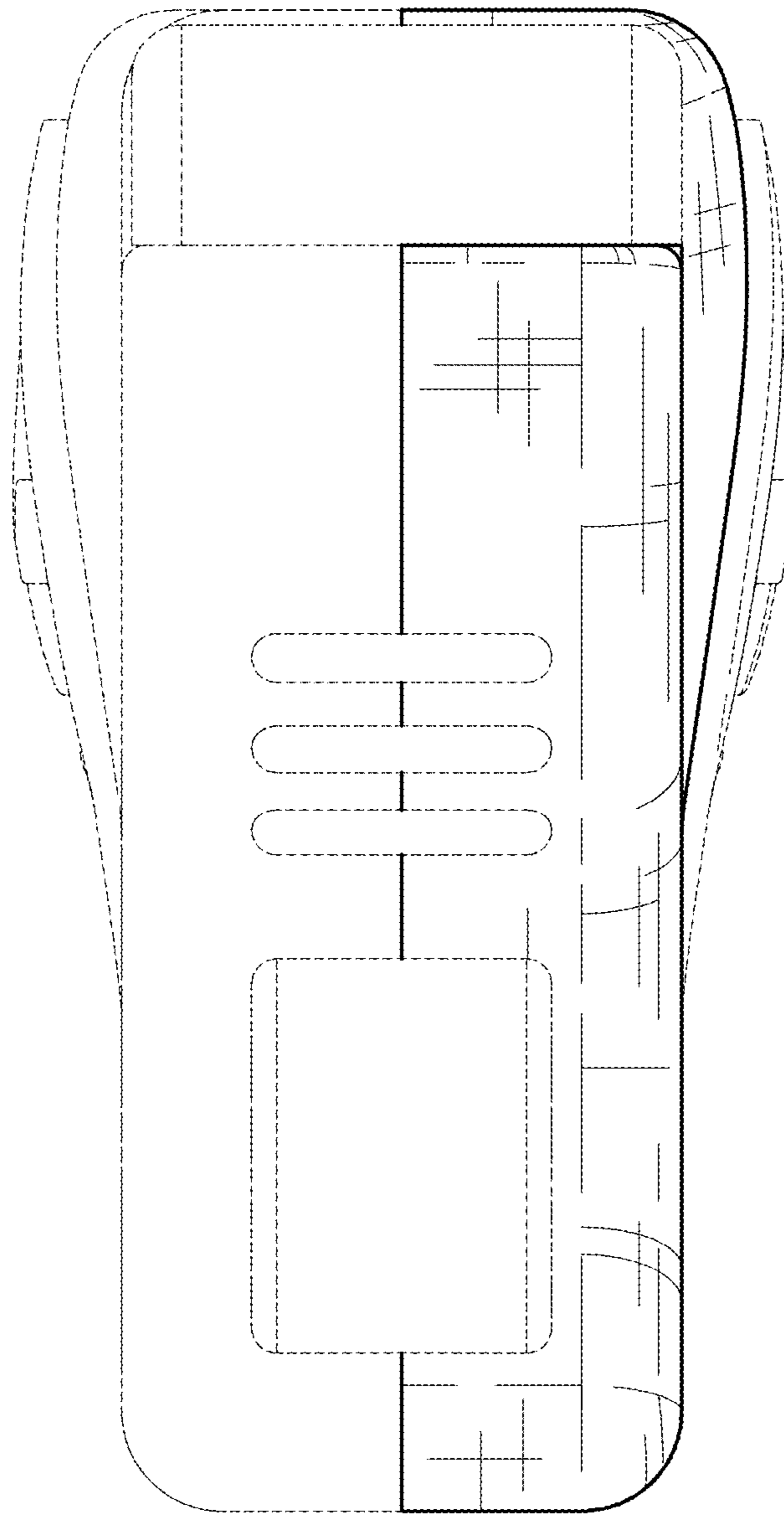


FIG. 8