



US00D786430S

(12) **United States Design Patent**
Davies et al.

(10) **Patent No.:** **US D786,430 S**

(45) **Date of Patent:** **** May 9, 2017**

(54) **MEDICAL DEVICE HANDLE**

(71) Applicant: **Baylis Medical Company Inc.**,
Montreal (CA)

(72) Inventors: **Gareth Davies**, Toronto (CA); **Melanie Thompson Smith**, Kingston (CA);
Steve Copeland, Barrie (CA);
Jonathan Liberty, Newmarket (CA)

(73) Assignee: **BAYLIS MEDICAL COMPANY INC.**, Montreal, Quebec (CA)

(**) Term: **15 Years**

(21) Appl. No.: **29/533,914**

(22) Filed: **Jul. 23, 2015**

(51) **LOC (10) Cl.** **24-02**

(52) **U.S. Cl.**

USPC **D24/144**

(58) **Field of Classification Search**

USPC D24/144, 133, 135, 127-129, 138

CPC A61B 17/7083; A61B 18/1492; A61B

17/3415; A61B 17/3417; A61B 17/3423;

A61M 25/0662; A61M 25/1011; A61M

29/02; A61M 29/00

See application file for complete search history.

(56) **References Cited**

U.S. PATENT DOCUMENTS

5,389,090 A * 2/1995 Fischell A61M 25/0662
604/528

5,944,691 A * 8/1999 Querns A61M 25/0662
604/104

6,539,252 B1 * 3/2003 Fields A61B 18/1492
604/21

D539,900 S * 4/2007 Fedenia D24/144

2014/0277073 A1 * 9/2014 Calderon A61M 29/00
606/198

2016/0038657 A1 * 2/2016 Lareau A61M 1/008
604/266

* cited by examiner

Primary Examiner — Wan Laymon

(74) *Attorney, Agent, or Firm* — Nir Lifshitz; Glenn
Arnold

(57) **CLAIM**

The ornamental design for a medical device handle, as
shown and described.

DESCRIPTION

FIG. 1 is a front top left perspective view of a medical device
handle, showing our new design;

FIG. 2 is a rear bottom right perspective view of the medical
device handle of FIG. 1;

FIG. 3 is a top side view of the medical device handle of
FIG. 1;

FIG. 4 is a bottom side view of the medical device handle
of FIG. 1;

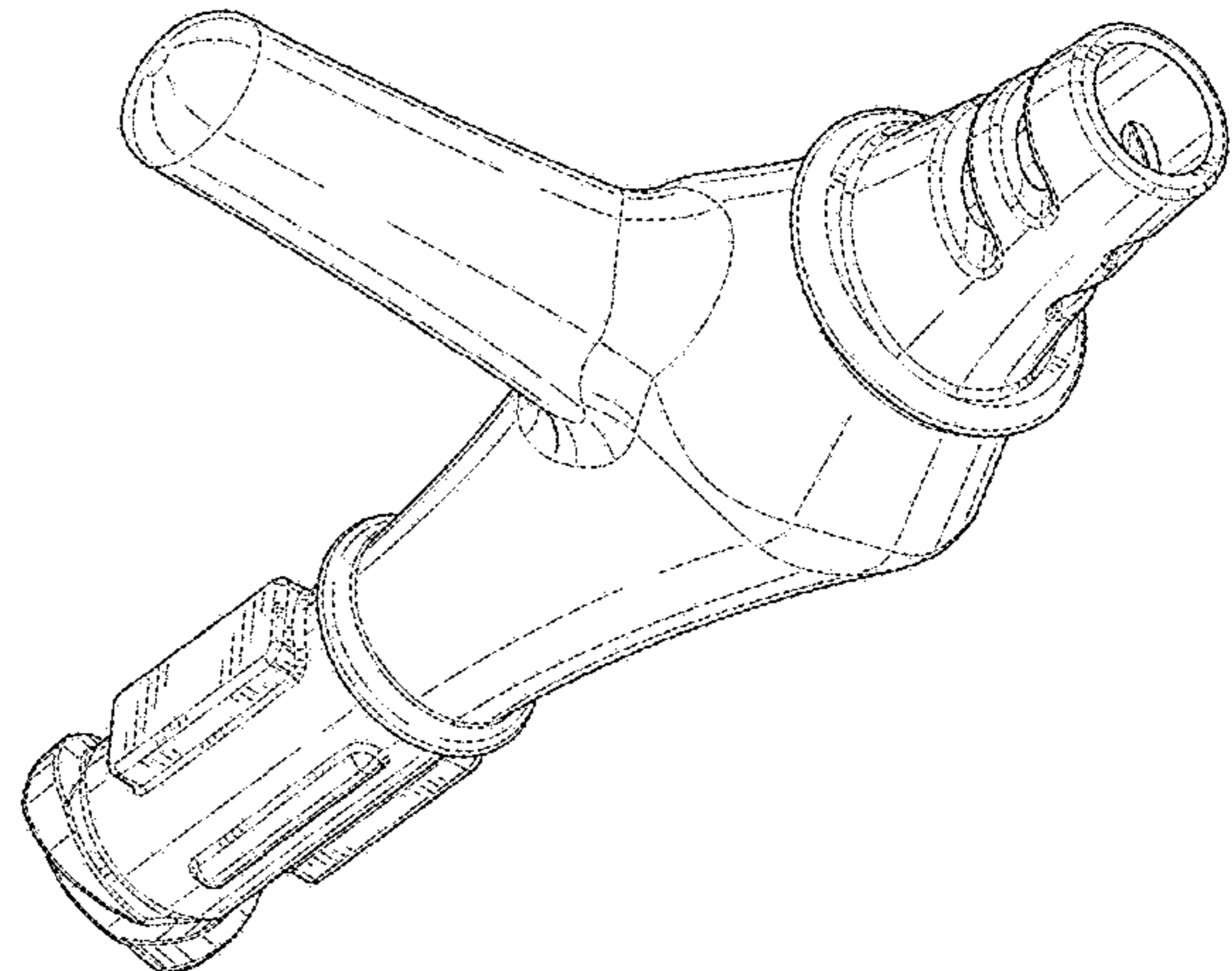
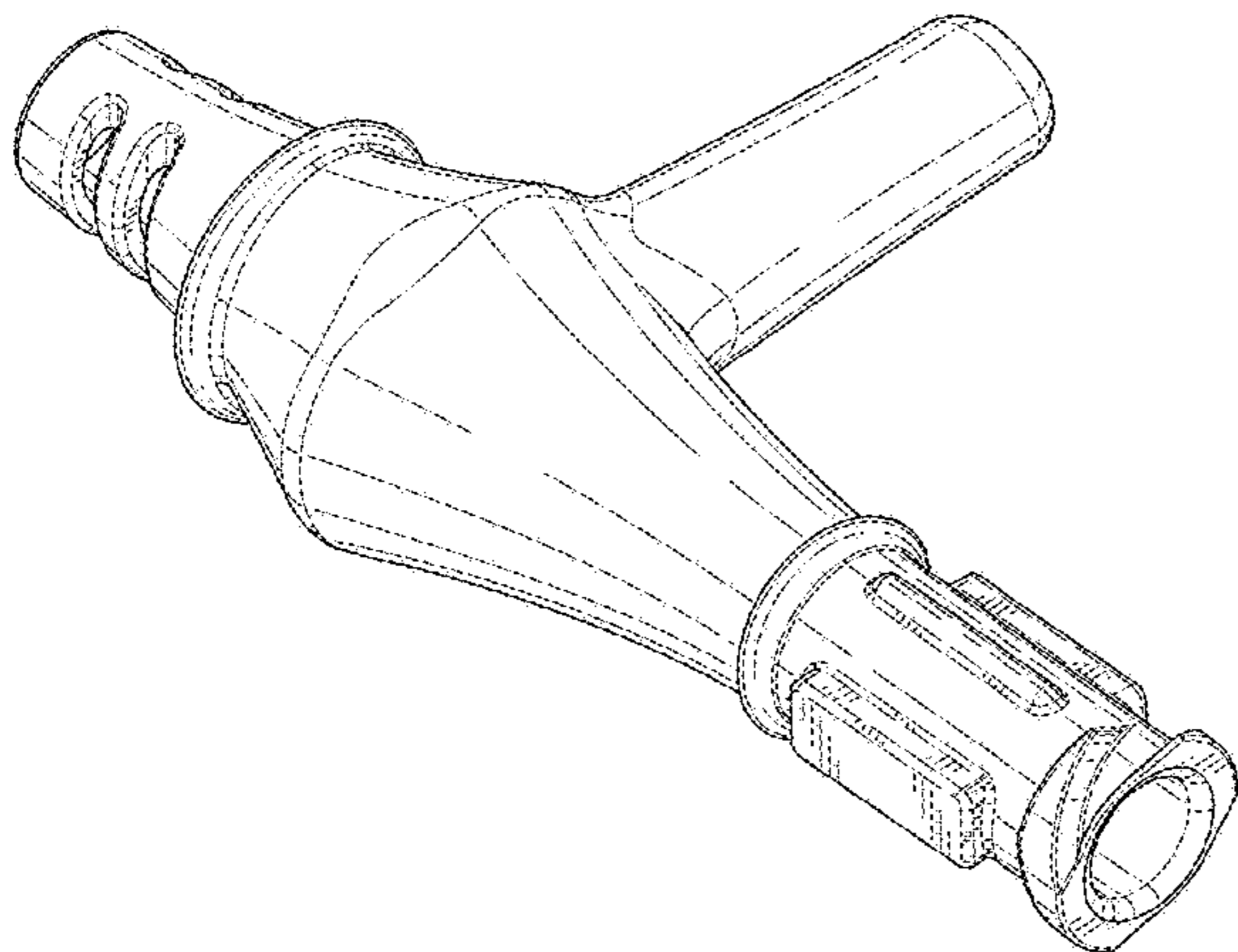
FIG. 5 is a left side view of the medical device handle of
FIG. 1;

FIG. 6 is a right side view of the medical device handle of
FIG. 1 in an inverted position;

FIG. 7 is a rear side view of the medical device handle of
FIG. 1; and,

FIG. 8 is a front side view of the medical device handle of
FIG. 1.

1 Claim, 4 Drawing Sheets



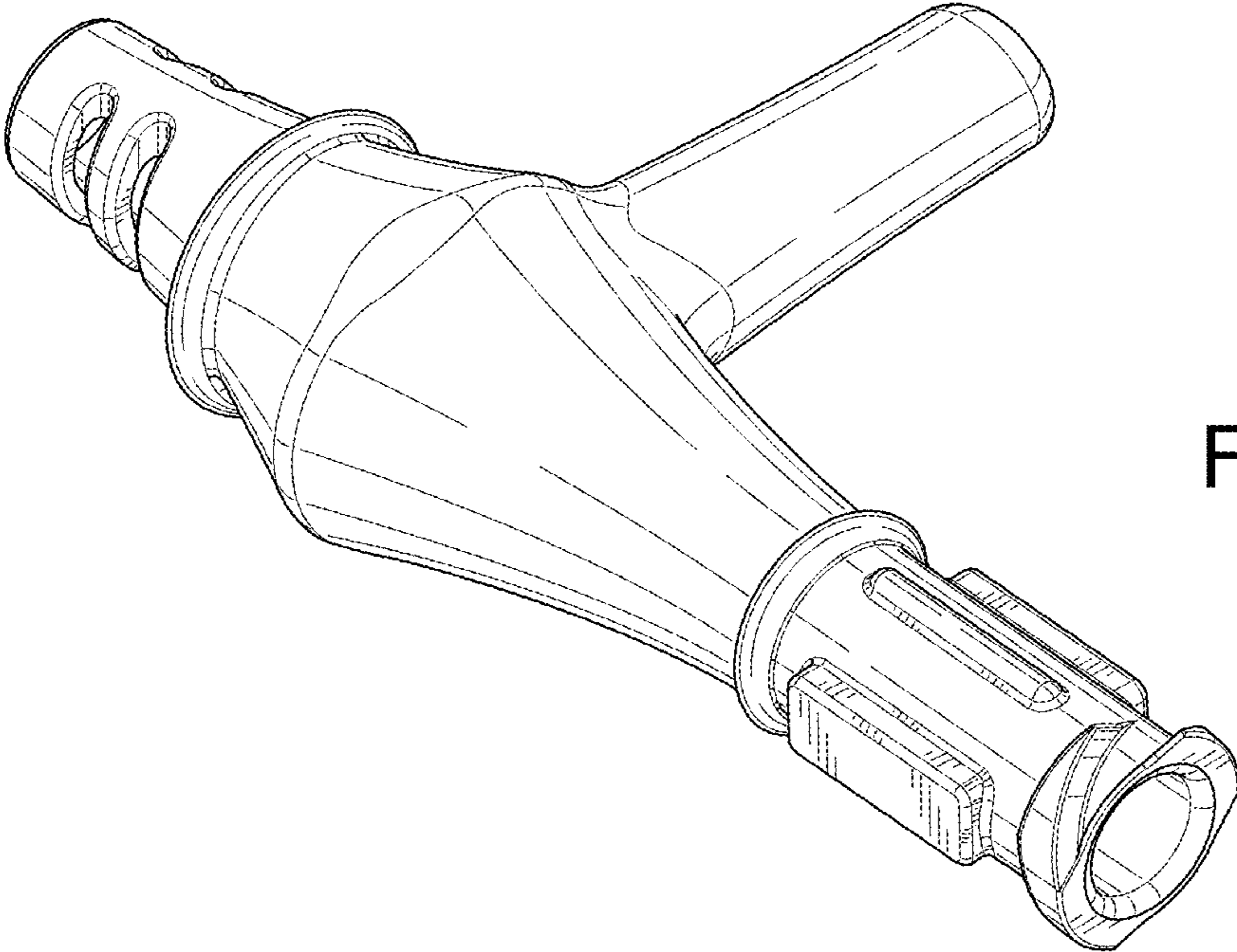


FIG.1

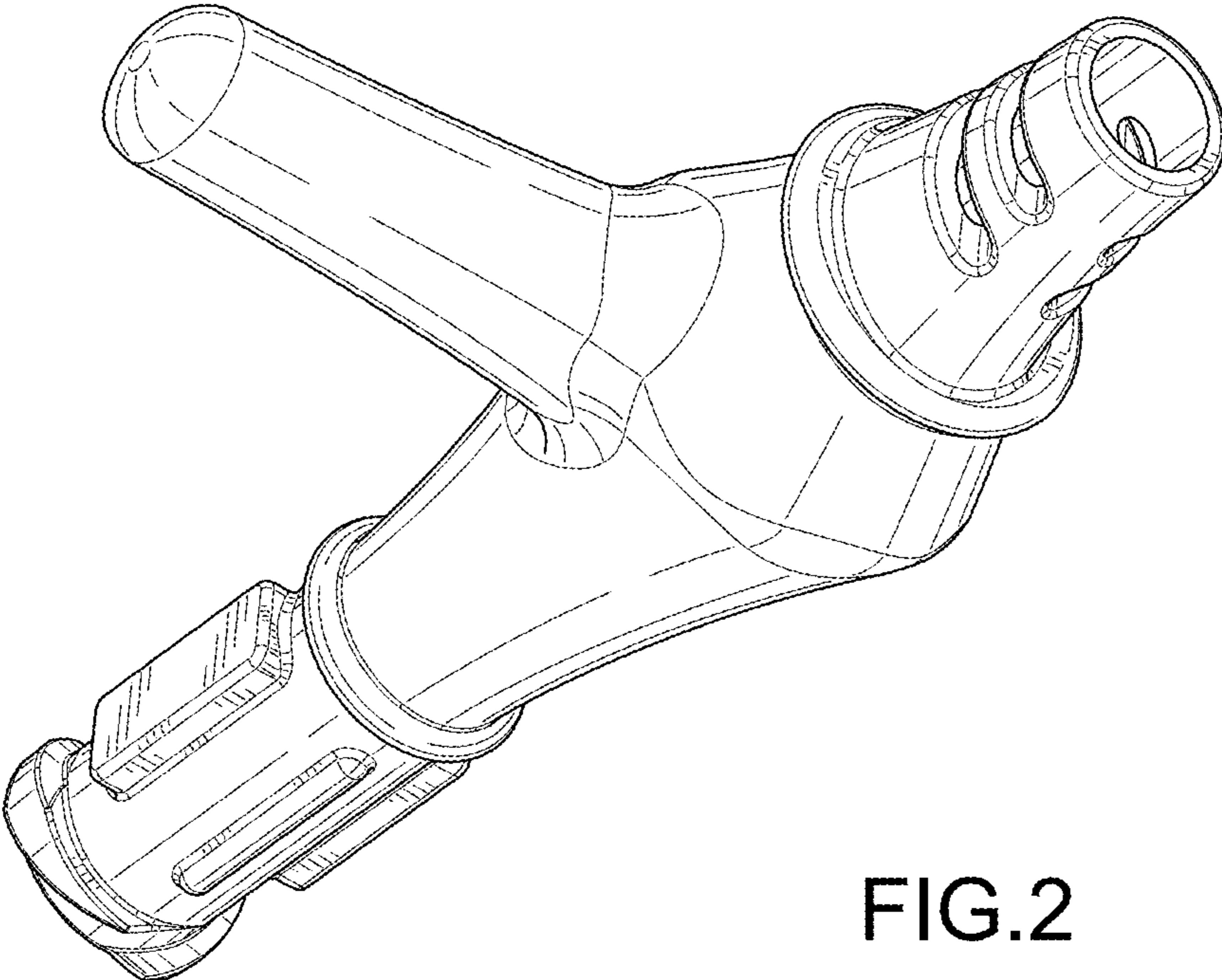


FIG.2

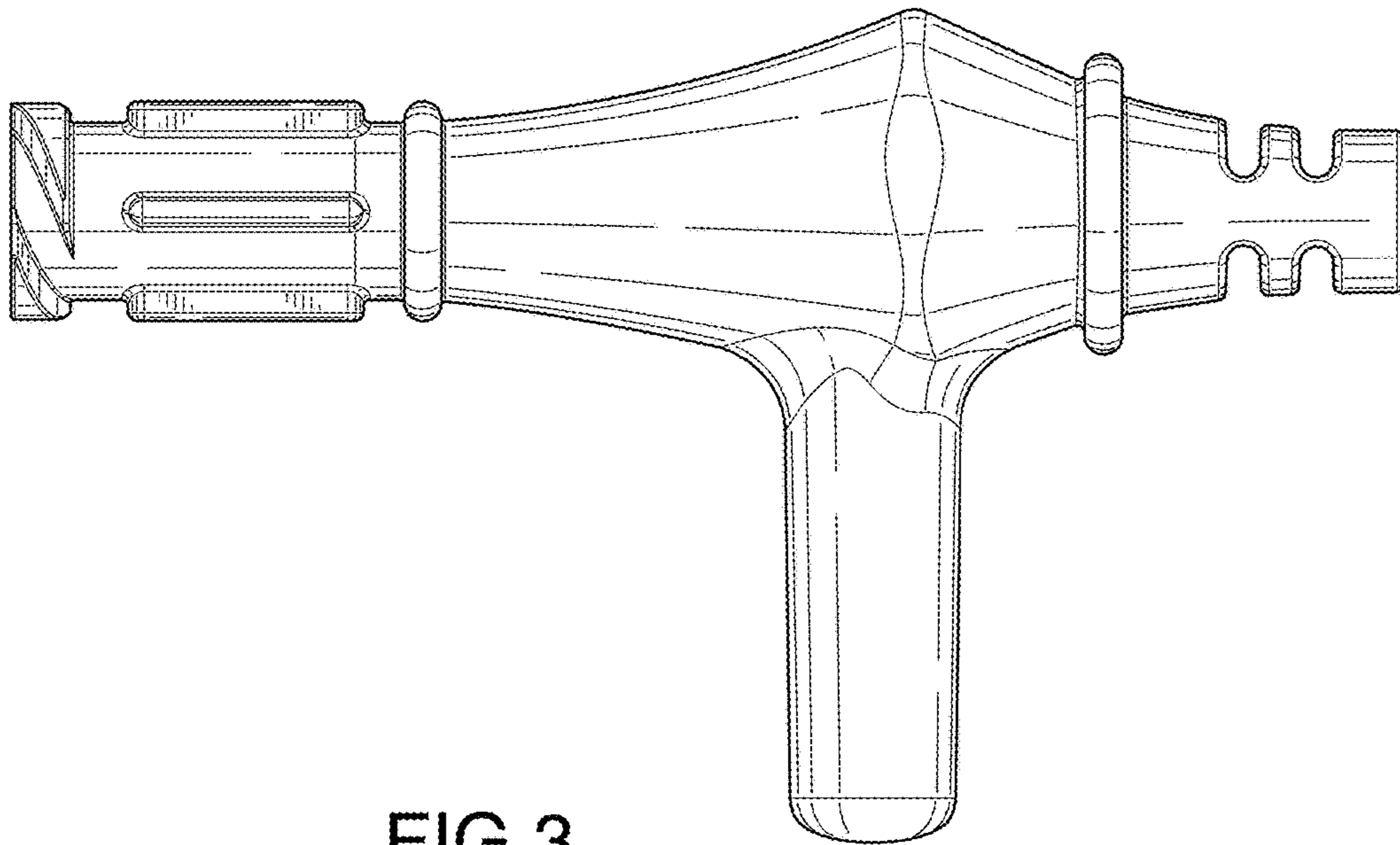


FIG.3

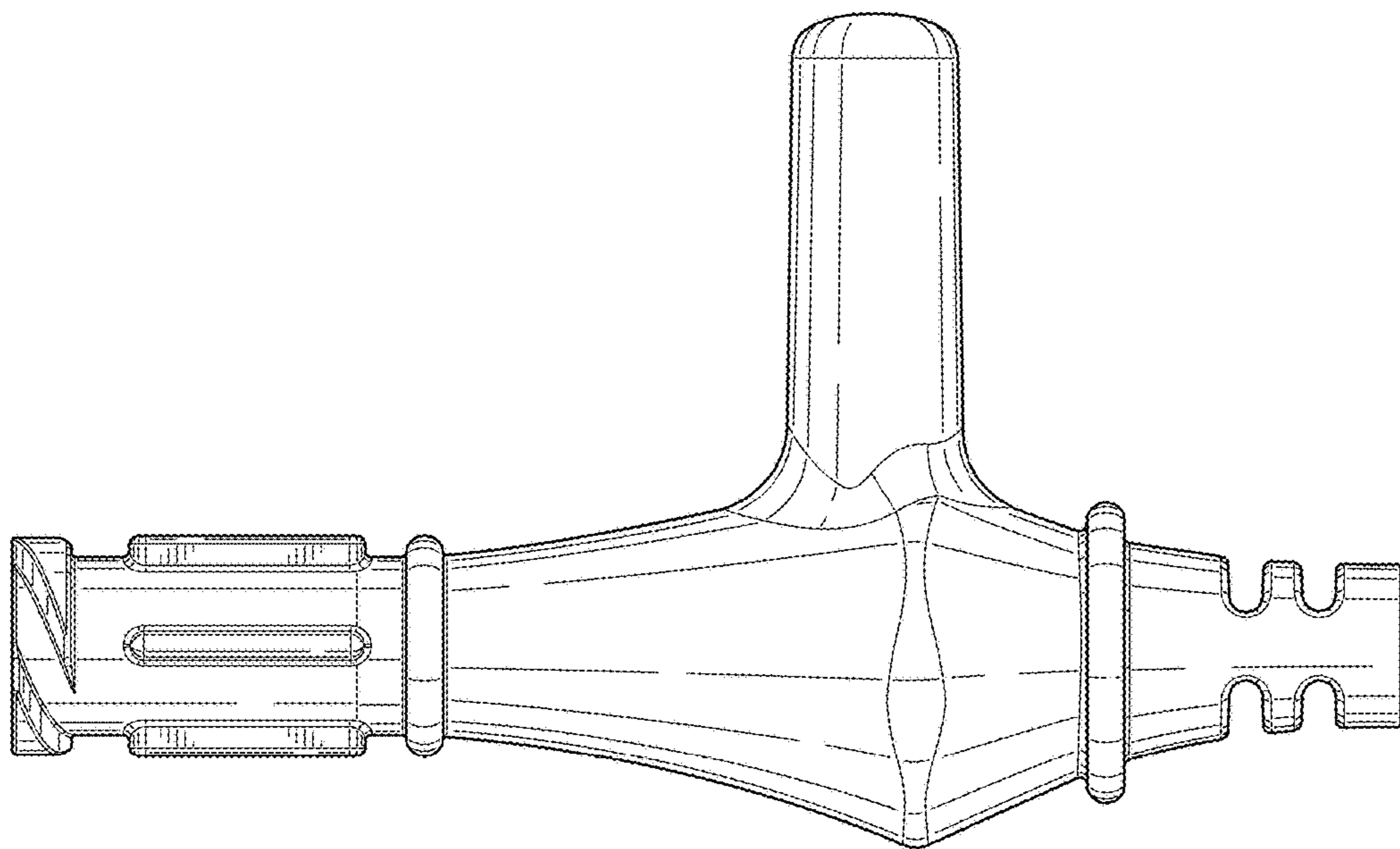


FIG.4

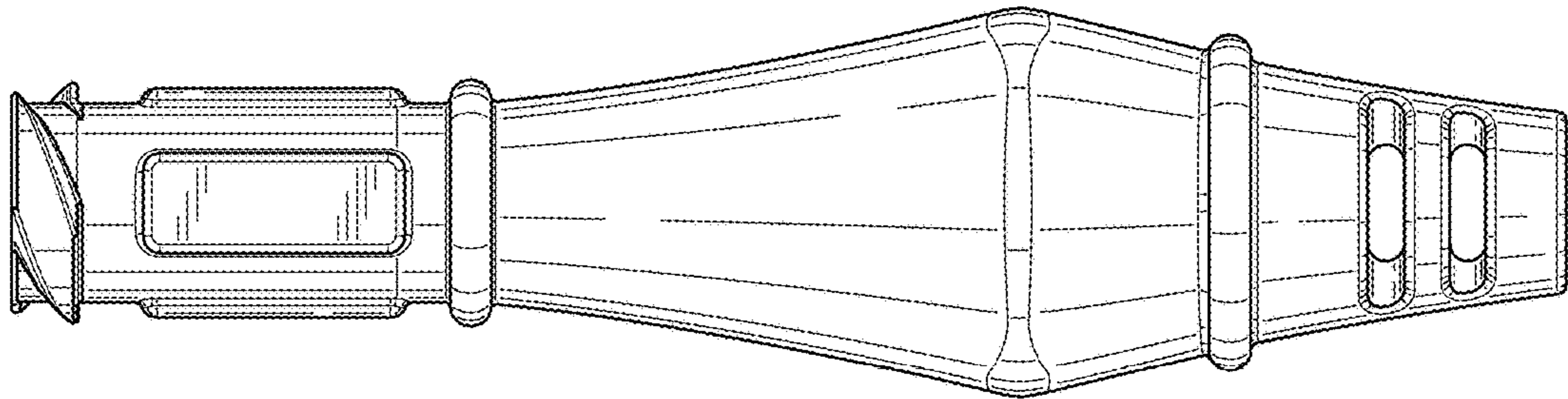


FIG.5

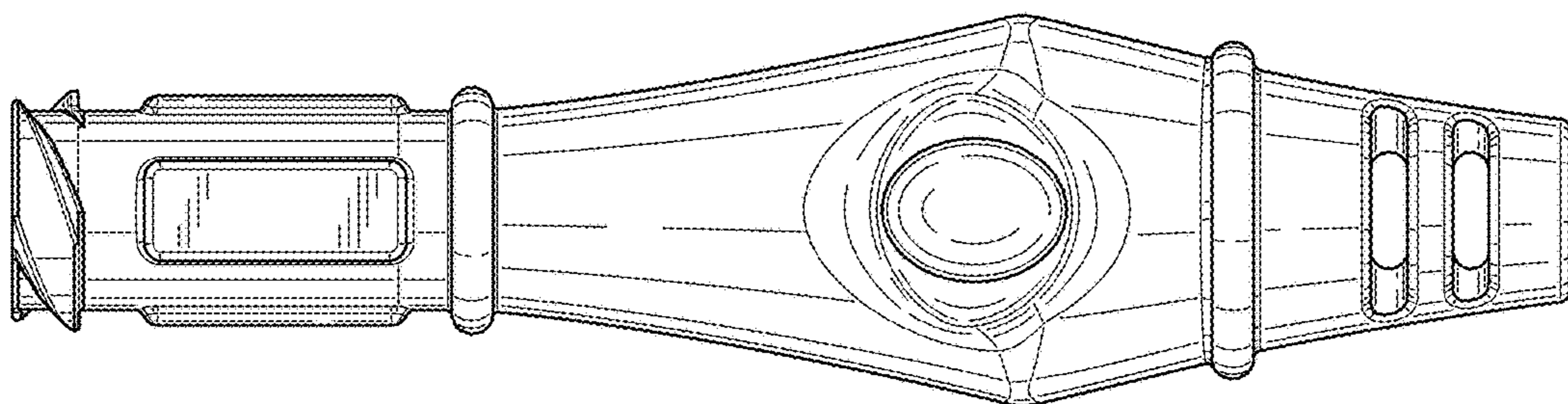


FIG.6

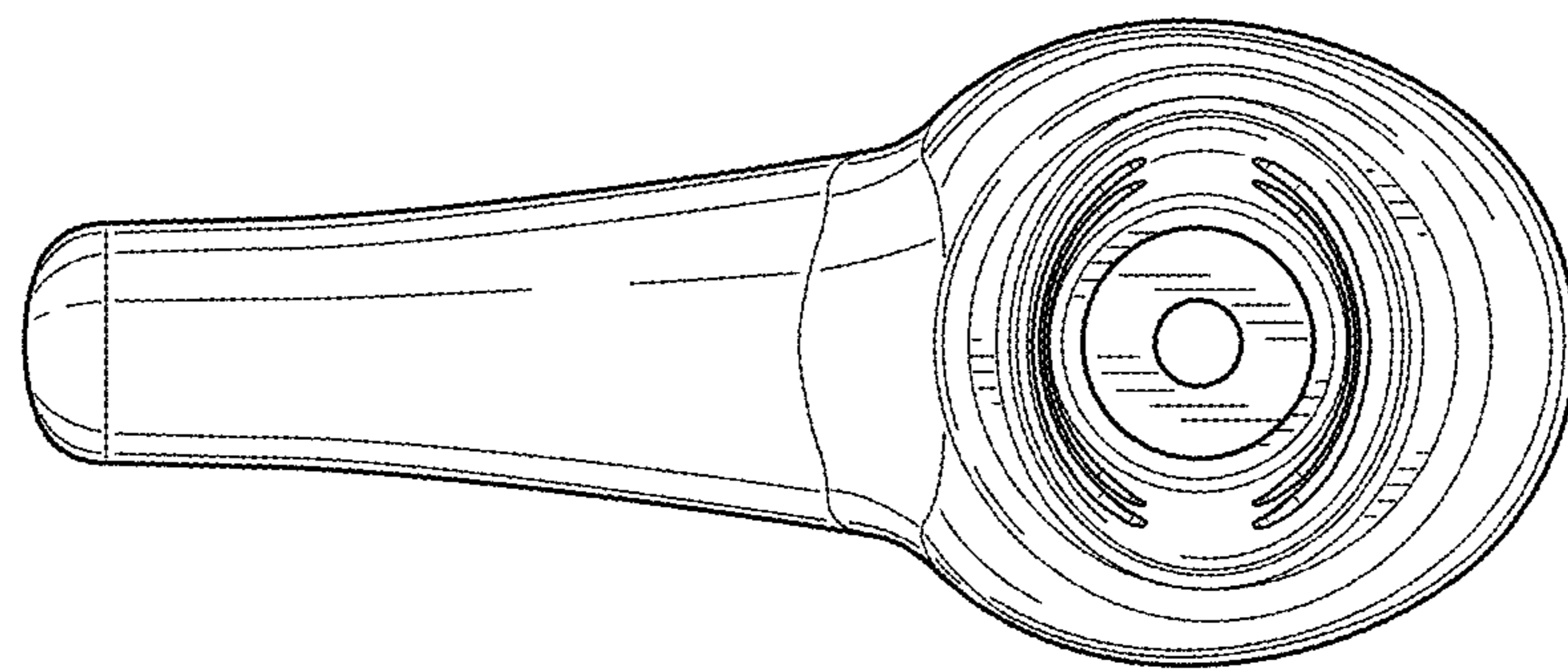


FIG.7

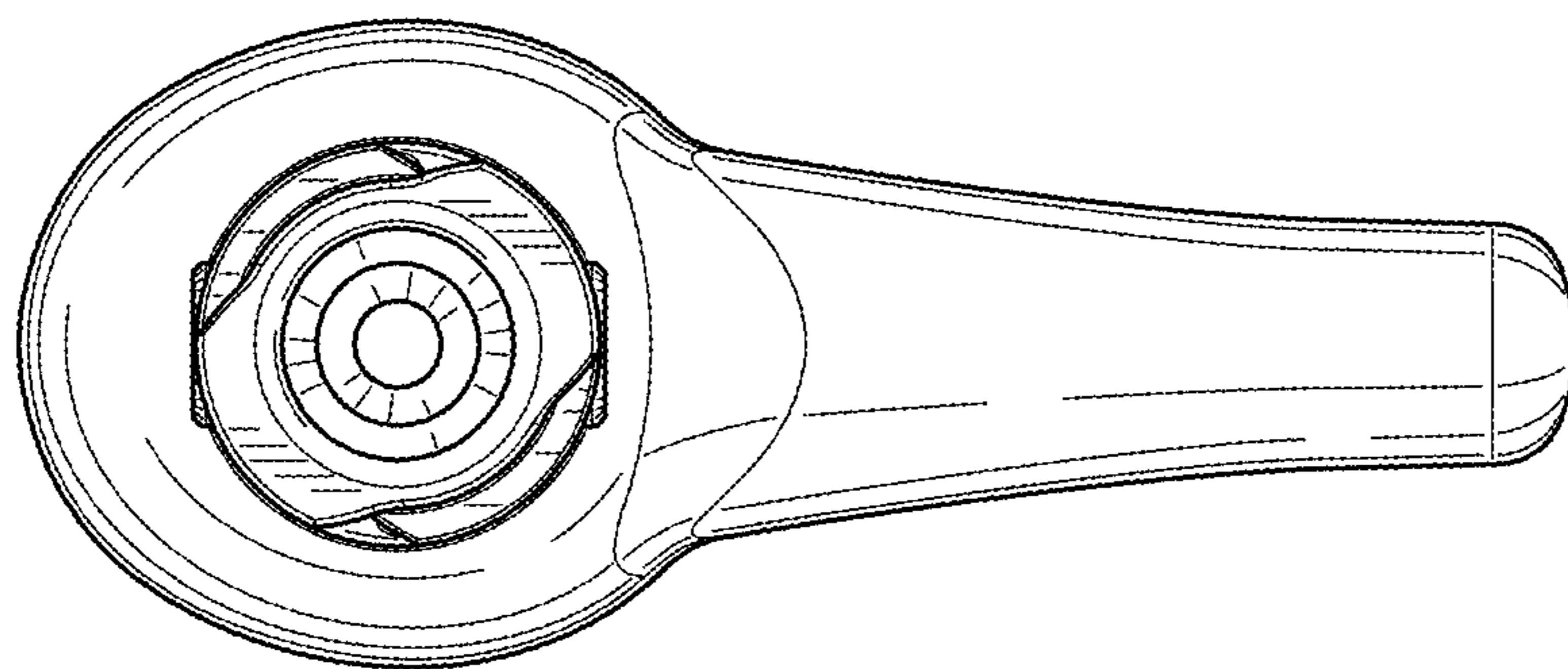


FIG.8