



US00D786427S

(12) **United States Design Patent** (10) **Patent No.:** **US D786,427 S**
Nelson (45) **Date of Patent:** **** May 9, 2017**

(54) **FLUID MANIFOLD**
(71) Applicant: **ICU Medical, Inc.**, San Clemente, CA (US)
(72) Inventor: **David Nelson**, Laguna Beach, CA (US)
(73) Assignee: **ICU MEDICAL, INC.**, San Clemente, CA (US)

3,134,380 A 5/1964 Armao
3,135,261 A 6/1964 Carroll
3,171,412 A 3/1965 Braun
3,176,021 A 3/1965 Volungis et al.
3,191,655 A 6/1965 McCord
3,193,154 A 7/1965 Bross et al.
3,334,860 A 8/1967 Bolton, Jr.
(Continued)

(**) Term: **14 Years**
(21) Appl. No.: **29/510,851**

FOREIGN PATENT DOCUMENTS
CA 1 105 959 7/1981
CA 2 149 725 11/1995
(Continued)

(22) Filed: **Dec. 3, 2014**
(51) **LOC (10) Cl.** **24-02**
(52) **U.S. Cl.**
USPC **D24/129**
(58) **Field of Classification Search**
USPC D24/127-131, 112-114, 133, 186;
606/181, 185; 604/264, 523-528, 272,
604/187, 158, 164.01-164.11, 181, 184,
604/227; 600/101, 139, 143;
128/200.24, 207.14, 207.15
CPC A61M 25/00; A61M 39/00; A61M 27/00;
A61M 25/0043; A61M 25/0067; A61M
25/0097; A61F 2/958
See application file for complete search history.

OTHER PUBLICATIONS
“Faulding Inc. receives FDA permission to market patented Safe-Connect Valve”, dated Dec. 2, 1996.
(Continued)
Primary Examiner — David Muller
(74) *Attorney, Agent, or Firm* — Knobbe, Martens, Olson & Bear, LLP

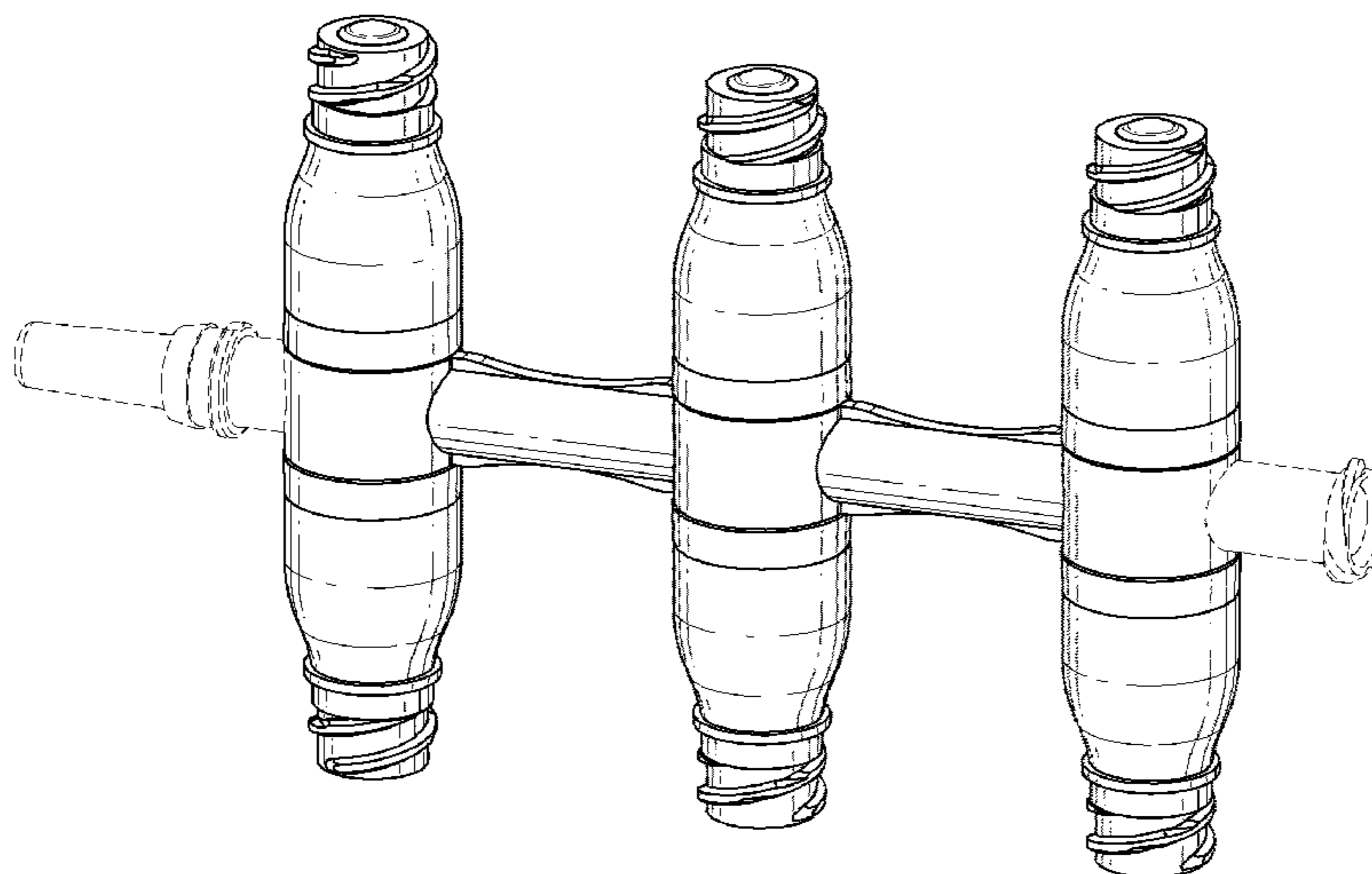
(56) **References Cited**
U.S. PATENT DOCUMENTS

274,447 A 3/1883 Kennish
1,578,517 A 3/1926 Hein
1,923,501 A 8/1933 Perry
2,210,098 A 8/1940 Ravenscroft
2,289,677 A 7/1942 Perelson
2,577,780 A 12/1951 Lockhart
2,756,282 A 7/1956 Deane
2,756,740 A 7/1956 Deane
2,809,665 A 10/1957 Crowe
2,847,995 A 8/1958 Adams
2,999,499 A 9/1961 Willet

(57) **CLAIM**
The ornamental design for a fluid manifold, as shown and described.

DESCRIPTION
FIG. 1 is a front perspective view of a fluid manifold showing my new design;
FIG. 2 is a front elevational view thereof;
FIG. 3 is a rear elevational view thereof;
FIG. 4 is a right side elevational view thereof;
FIG. 5 is a left side elevational view thereof;
FIG. 6 is a top plan view thereof; and,
FIG. 7 is a bottom plan view thereof.
The broken lines in the Figures show portions of the fluid manifold which form no part of the claimed design.

1 Claim, 5 Drawing Sheets



(56)

References Cited

U.S. PATENT DOCUMENTS

5,098,406 A	3/1992	Sawyer	5,456,676 A	10/1995	Nelson et al.
5,100,394 A	3/1992	Dudar et al.	5,462,255 A	10/1995	Rosen et al.
5,108,380 A	4/1992	Heritze et al.	5,470,319 A	11/1995	Mayer
5,114,408 A	5/1992	Fleischhaker et al.	5,474,544 A	12/1995	Lynn
5,116,361 A	5/1992	Kim et al.	5,480,393 A	1/1996	Bommarito
5,122,123 A	6/1992	Vaillancourt	5,487,731 A	1/1996	Denton
5,125,915 A	6/1992	Berry et al.	5,501,426 A	3/1996	Atkinson et al.
5,135,489 A	8/1992	Jepson et al.	5,501,526 A	3/1996	Asai et al.
5,137,524 A	8/1992	Lynn et al.	5,509,433 A	4/1996	Paradis
5,147,333 A	9/1992	Raines	5,514,116 A	5/1996	Vaillancourt et al.
5,154,703 A	10/1992	Bonaldo	5,520,665 A	5/1996	Fleetwood
5,158,554 A	10/1992	Jepson et al.	5,522,804 A	6/1996	Lynn
5,163,922 A	11/1992	McElveen, Jr. et al.	5,533,708 A	7/1996	Atkinson et al.
5,167,238 A	12/1992	Newman	5,533,996 A	7/1996	Murphey et al.
5,167,636 A	12/1992	Clement	5,535,771 A	7/1996	Purdy et al.
5,171,234 A	12/1992	Jepson et al.	5,535,785 A	7/1996	Werge et al.
5,180,761 A	1/1993	Shiao	5,540,661 A	7/1996	Tomisaka et al.
5,188,620 A	2/1993	Jepson et al.	5,549,566 A	8/1996	Elias et al.
5,190,067 A	3/1993	Paradis et al.	5,549,577 A	8/1996	Siegel et al.
5,199,947 A	4/1993	Lopez et al.	5,549,651 A	8/1996	Lynn
5,201,717 A	4/1993	Wyatt et al.	5,555,908 A	9/1996	Edwards et al.
5,201,722 A	4/1993	Moorehead et al.	5,556,388 A	9/1996	Johlin, Jr.
5,203,775 A	4/1993	Frank et al.	5,562,632 A	10/1996	Davila et al.
5,211,638 A	5/1993	Dudar et al.	5,569,235 A	10/1996	Ross et al.
5,215,538 A	6/1993	Larkin	5,573,516 A	11/1996	Tyner
5,221,271 A	6/1993	Nicholson et al.	5,577,706 A	11/1996	King
5,224,515 A	7/1993	Foster et al.	5,578,059 A	11/1996	Patzer
5,242,393 A	9/1993	Brimhall et al.	5,597,536 A	1/1997	Mayer
5,242,423 A	9/1993	Goodsir et al.	5,603,706 A	2/1997	Wyatt et al.
5,242,425 A	9/1993	White et al.	5,609,584 A	3/1997	Gettig et al.
5,242,432 A	9/1993	DeFrank	5,616,129 A	4/1997	Mayer
5,251,873 A	10/1993	Atkinson et al.	5,616,130 A	4/1997	Mayer
5,253,842 A	10/1993	Huebscher et al.	5,617,897 A	4/1997	Myers
5,255,676 A	10/1993	Russo	5,620,424 A	4/1997	Abramson
5,256,155 A	10/1993	Yerlikaya et al.	5,620,434 A	4/1997	Brony
5,267,966 A	12/1993	Paul	5,624,414 A	4/1997	Boettger
5,269,771 A	12/1993	Thomas et al.	5,632,735 A	5/1997	Wyatt et al.
5,273,533 A	12/1993	Bonaldo	5,639,810 A	6/1997	Smith, III et al.
5,280,876 A	1/1994	Atkins	5,660,205 A	8/1997	Epstein
5,284,475 A	2/1994	Mackal	5,669,891 A	9/1997	Vaillancourt
5,290,254 A	3/1994	Vaillancourt	5,674,206 A	10/1997	Allton et al.
5,292,308 A	3/1994	Ryan	5,676,346 A	10/1997	Leinsing
5,293,902 A	3/1994	Lapierie	5,685,866 A	11/1997	Lopez
5,295,657 A	3/1994	Atkinson	5,690,612 A	11/1997	Lopez et al.
5,295,658 A	3/1994	Atkinson et al.	5,690,865 A	11/1997	Kindt-Larsen et al.
5,301,686 A	4/1994	Newman	5,694,686 A	12/1997	Lopez
5,306,265 A	4/1994	Ragazzi	5,695,466 A	12/1997	Lopez et al.
5,312,083 A	5/1994	Ekman	5,699,821 A	12/1997	Paradis
5,312,377 A	5/1994	Dalhon	5,700,248 A	12/1997	Lopez
5,322,518 A	6/1994	Schneider	5,728,751 A	3/1998	Patnaik
5,324,270 A	6/1994	Kayon et al.	5,730,418 A	3/1998	Feith et al.
5,336,192 A	8/1994	Palestrant	5,738,663 A	4/1998	Lopez
5,342,316 A	8/1994	Wallace	5,749,861 A	5/1998	Guala et al.
5,342,326 A	8/1994	Peppel et al.	5,769,825 A	6/1998	Lynn
5,344,414 A	9/1994	Lopez et al.	5,775,671 A	7/1998	Cote, Sr.
5,348,542 A	9/1994	Ellis	5,776,113 A	7/1998	Daugherty et al.
5,353,837 A	10/1994	Faust	5,782,816 A	7/1998	Werschmidt et al.
5,356,396 A	10/1994	Wyatt et al.	5,788,215 A	8/1998	Ryan
5,360,413 A	11/1994	Leason et al.	5,797,897 A	8/1998	Jepson et al.
5,380,306 A	1/1995	Brinon	5,806,551 A	9/1998	Meloul et al.
5,389,086 A	2/1995	Attermeier et al.	5,806,831 A	9/1998	Paradis
5,395,348 A	3/1995	Ryan	5,807,348 A	9/1998	Zinger et al.
5,398,530 A	3/1995	Derman	5,817,068 A	10/1998	Urrutia
5,401,245 A	3/1995	Haining	5,817,069 A	10/1998	Arnett
5,402,826 A	4/1995	Molnar et al.	5,820,601 A	10/1998	Mayer
5,402,982 A	4/1995	Atkinson et al.	5,833,213 A	11/1998	Ryan
5,407,437 A	4/1995	Heimreid	5,836,923 A	11/1998	Mayer
5,409,471 A	4/1995	Atkinson et al.	5,839,715 A	11/1998	Leinsing
5,411,483 A	5/1995	Loomas et al.	5,843,046 A	12/1998	Motisi et al.
5,411,499 A	5/1995	Dudar et al.	5,846,233 A	12/1998	Lilley et al.
5,417,673 A	5/1995	Gordon	5,865,807 A	2/1999	Blake, III
5,439,451 A	8/1995	Collinson et al.	5,873,862 A	2/1999	Lopez
5,439,452 A	8/1995	McCarty	5,882,348 A	3/1999	Winterton et al.
5,441,487 A	8/1995	Vedder	5,899,888 A	5/1999	Jepson et al.
5,442,941 A	8/1995	Kahonen et al.	5,901,942 A	5/1999	Lopez
			5,911,710 A	6/1999	Barry et al.
			5,928,204 A	7/1999	Lopez
			5,935,620 A	8/1999	Baudin
			5,947,954 A	9/1999	Bonaldo

(56)

References Cited

U.S. PATENT DOCUMENTS

2014/0142519 A1 5/2014 Truitt et al.
 2014/0155836 A1 6/2014 Truitt et al.
 2014/0174578 A1 6/2014 Bonnal et al.
 2014/0180219 A1 6/2014 Ho et al.
 2014/0180258 A1 6/2014 Ho et al.
 2014/0209197 A1 7/2014 Carrez et al.
 2014/0257198 A1 9/2014 Truitt et al.
 2014/0261860 A1 9/2014 Heath et al.
 2014/0276455 A1 9/2014 Yeh et al.
 2014/0276456 A1 9/2014 Eddy
 2014/0276458 A1 9/2014 Mansour et al.
 2014/0276459 A1 9/2014 Yeh et al.
 2014/0276463 A1 9/2014 Mansour et al.
 2014/0276466 A1 9/2014 Yeh et al.
 2014/0296794 A1 10/2014 Li
 2014/0303602 A1 10/2014 Mansour et al.
 2014/0316350 A1 10/2014 Yamaguchi et al.
 2014/0358033 A1 12/2014 Lynn
 2014/0371686 A1 12/2014 Sano et al.
 2015/0040987 A1 2/2015 Reichert et al.
 2015/0040988 A1 2/2015 Reichert et al.
 2015/0045746 A1 2/2015 Macy, Jr. et al.
 2015/0045772 A1 2/2015 Reichert et al.
 2015/0126942 A1 5/2015 Lopez et al.
 2015/0148756 A1 5/2015 Lynn
 2015/0151100 A1 6/2015 Mansour
 2015/0157799 A1 6/2015 Chen et al.
 2015/0157800 A1 6/2015 Chen et al.
 2015/0157848 A1 6/2015 Wu et al.
 2015/0176715 A1 6/2015 Huang et al.
 2015/0190627 A1 7/2015 Ueda et al.
 2015/0196749 A1 7/2015 Ziv et al.
 2015/0196750 A1 7/2015 Ueda et al.
 2015/0202424 A1 7/2015 Harton
 2015/0258325 A1 9/2015 Panian et al.
 2015/0265827 A1 9/2015 Keyser et al.
 2015/0265829 A1 9/2015 Truitt et al.
 2015/0297817 A1 10/2015 Guala
 2015/0297880 A1 10/2015 Ogawa et al.
 2015/0313523 A1 11/2015 Chelak et al.
 2015/0374910 A1 12/2015 Mansour
 2016/0000364 A1 1/2016 Mendels et al.
 2016/0001057 A1 1/2016 Lopez et al.
 2016/0089492 A1 3/2016 Burnard et al.
 2016/0089529 A1 3/2016 Bolz et al.
 2016/0114147 A1 4/2016 Siopes et al.
 2016/0136051 A1 5/2016 Lavi
 2016/0144110 A1 5/2016 Ueda
 2016/0158524 A1 6/2016 Quach et al.
 2016/0235961 A1 8/2016 Maffei
 2016/0279404 A1 9/2016 Nelson
 2016/0317798 A1 11/2016 Lopez et al.

FOREIGN PATENT DOCUMENTS

CA 2 175 021 11/1996
 CH 636526 6/1983
 CH 670955 7/1989

DE 855 319 9/1952
 DE 84 25 197.2 9/1985
 DE 37 40 269 6/1989
 EP 0 263 789 4/1988
 EP 0 309 771 4/1989
 EP 0 399 119 11/1990
 EP 0 446 463 9/1991
 GB 2 000 685 1/1979
 GB 2 001 146 1/1979
 GB 2 034 185 6/1980
 WO WO 92/20736 11/1992
 WO WO 99/59672 11/1999
 WO WO 99/61093 12/1999
 WO WO 03/018104 3/2003
 WO WO 2005/115521 8/2005
 WO WO 2006/013433 2/2006
 WO WO 2006/062912 6/2006
 WO WO 2008/048777 4/2008
 WO WO 2009/052433 4/2009
 WO WO 2009/111596 9/2009
 WO WO 2010/004471 1/2010

OTHER PUBLICATIONS

BD Medical: Needleless IV Access Devices, one page, 2007.
 Capless Backcheck Valve, dated Sep. 3, 1993.
 CardinalHealth, SmartSite Brochure: "SmartSite® Disposables," 2004, in 12 pages.
 CareFusion, Medegen Introduces MaxPlus® Clear, First and Only Clear Positive Displacement Connector for Use in Infusion Therapy, MaxGuard News, one page article, dated Mar. 10, 2008—Ontario, Ca.
 Caresite™ Luer Access Device, dated 2010.
 Clearlink, needleless IV access system, Baxter 2007 brochure in 2 pages.
 F.D.A. 510(k) Summary of Safety and Effectiveness, dated Nov. 17, 1997.
 LifeShield TKO Anti-Reflux Device Brochure, appears to contain a date of Feb. 8.
 MEDI-4955 Liquid Silicone Rubber from NuSil Silicone Technology, dated Dec. 17, 2010.
 MicroClave Connector Brochure. The MicroClave was available before Mar. 25, 2008.
 MicroClave Neutral Displacement Connector a Needlefree Closed System Device. Brochure Sep. 24, 2008.
 MicroClave Product Page Video Shots dated Sep. 24, 2008.
 Nexus Medical Nexus TKO, appears to contain a date of Mar. 2006.
 PASV Valve Connector Brochure, which appears to be at least as early as Feb. 20, 2001.
 Saechtling Tworzywa Sztuczne, WN-T Warszawa, 1999, V edition, pp. 224-225.
 U.S. Appl. No. 29/510,852, Dec. 3, 2014, Nelson.

* cited by examiner

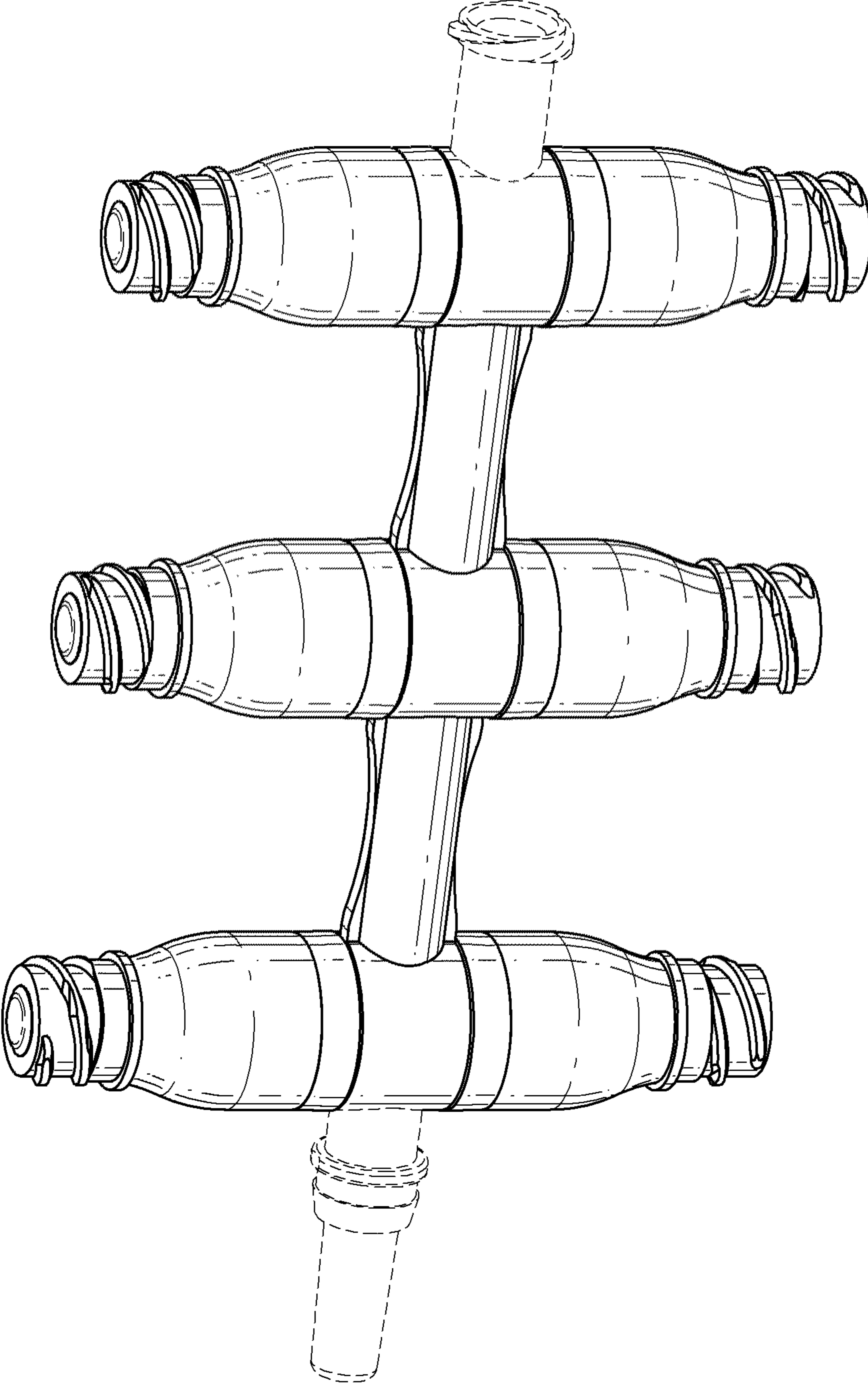


FIG. 1

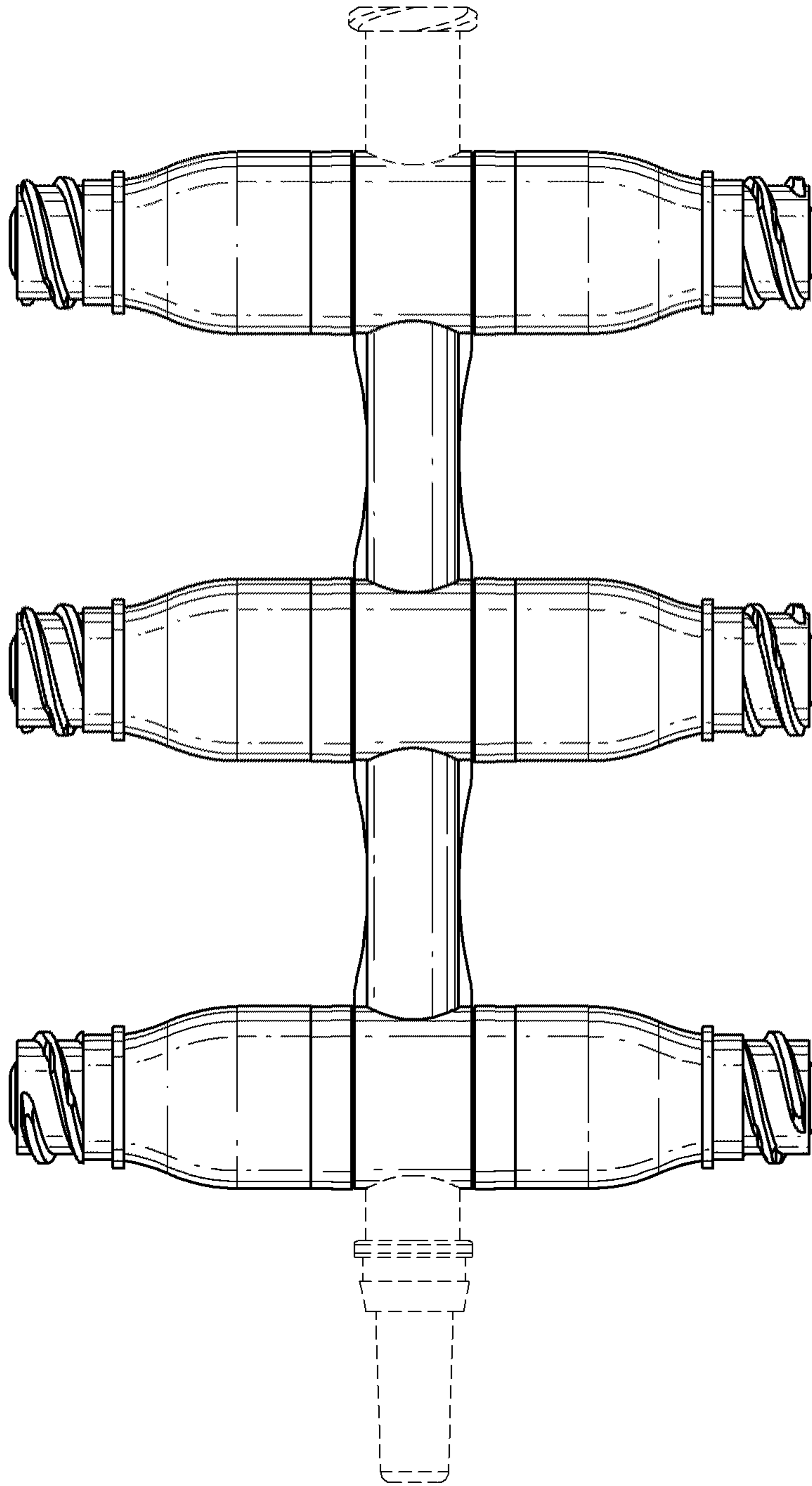


FIG. 2

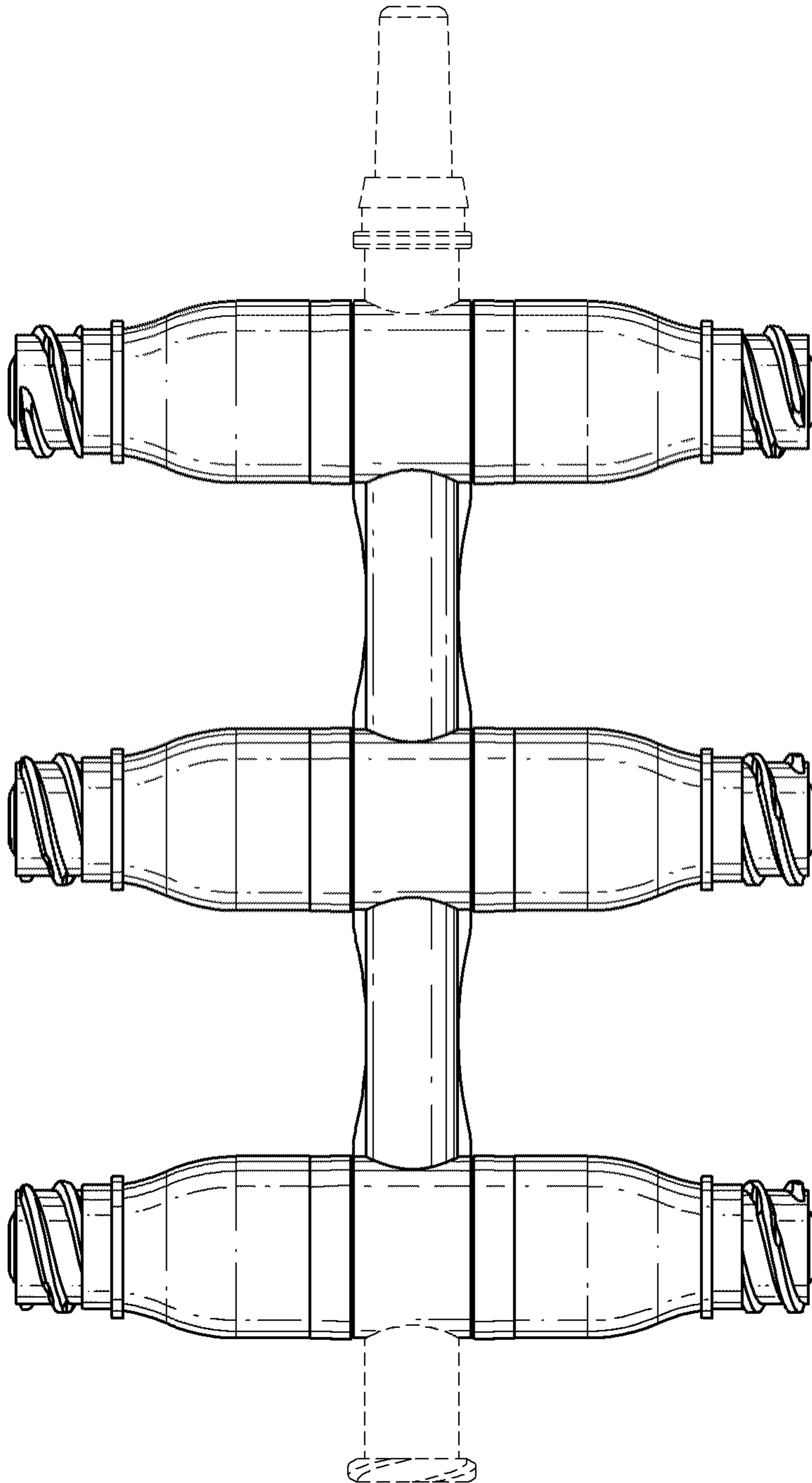


FIG. 3

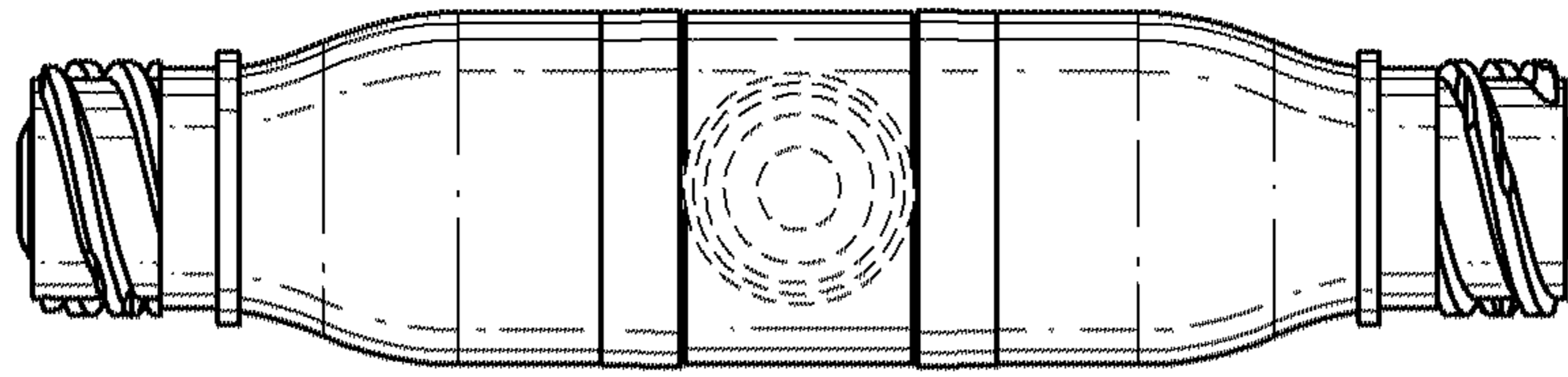


FIG. 5

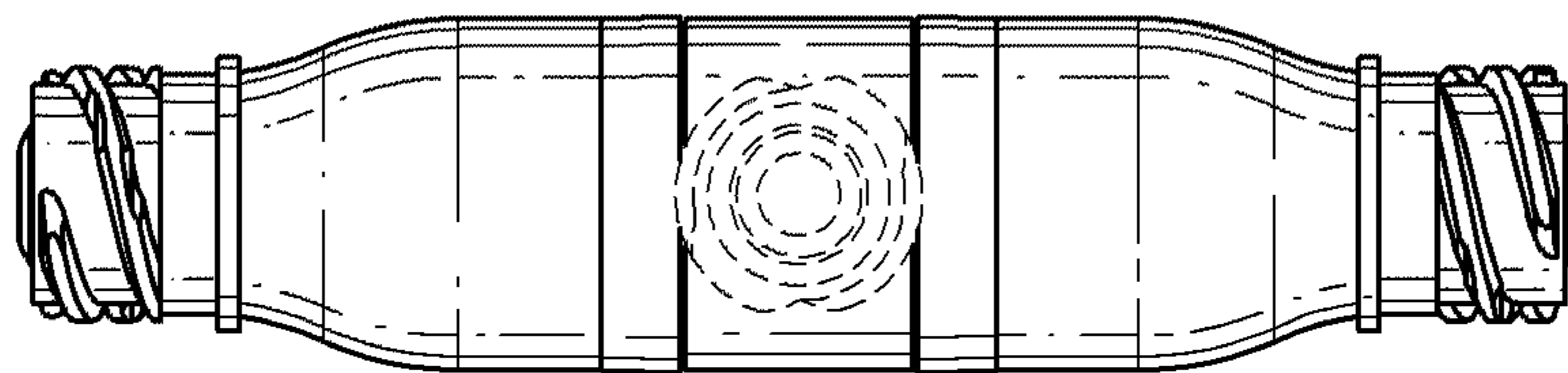


FIG. 4

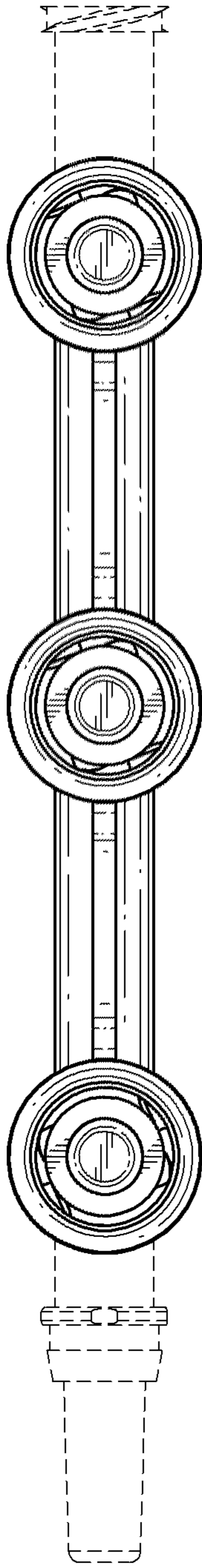


FIG. 6

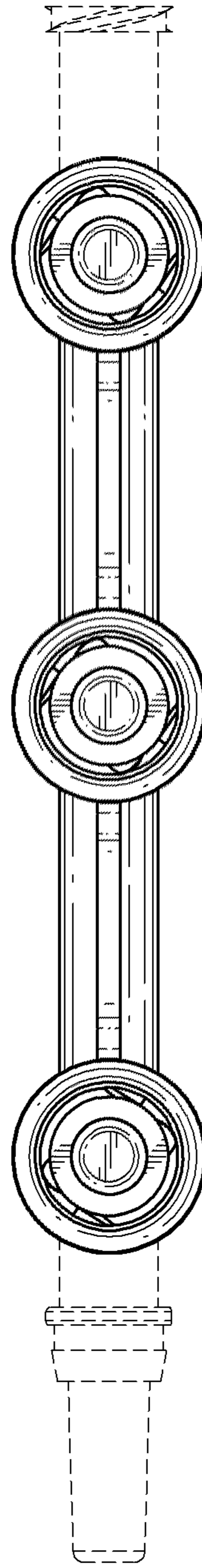


FIG. 7