



US00D786425S

(12) **United States Design Patent**
Fahl

(10) **Patent No.:** **US D786,425 S**
(45) **Date of Patent:** **** May 9, 2017**

- (54) **PLASTER FOR TRACHEOSTOMA**
- (71) Applicant: **Andreas Fahl Medizintechnik - Vertrieb GmbH**, Cologne (DE)
- (72) Inventor: **Andreas Fahl**, Köln (DE)
- (73) Assignee: **Andreas Fahl Medizintechnik - Vertrieb GmbH**, Cologne (DE)

4,460,359 A 7/1984 Fenton
 4,465,486 A 8/1984 Hill
 4,561,858 A * 12/1985 Allen, Jr. C08G 18/4081
 604/332
 4,610,676 A 9/1986 Schneider et al.
 4,701,169 A * 10/1987 Steer A61F 5/443
 604/338
 4,710,182 A * 12/1987 Bryson A61F 5/445
 604/339

(Continued)

- (**) Term: **15 Years**
- (21) Appl. No.: **29/545,442**
- (22) Filed: **Nov. 12, 2015**

Related U.S. Application Data

- (62) Division of application No. 29/445,563, filed on Feb. 13, 2013, now Pat. No. Des. 754,332.

Foreign Application Priority Data

Aug. 13, 2012 (EM) 001339246

- (51) **LOC (10) Cl.** **24-02**
- (52) **U.S. Cl.**

USPC **D24/118**

(58) **Field of Classification Search**

USPC D24/118, 127, 108, 128, 111; 604/317,
 604/327, 408, 403, 108, 339, 92, 415,
 604/410, 332, 333; 128/DIG. 24;
 383/22, 23, 35; D9/707, 709, 696;
 206/219; D18/56

CPC A61M 16/0468; A61M 16/0465; A61M
 16/1045; A61F 2/203

See application file for complete search history.

(56) **References Cited**

U.S. PATENT DOCUMENTS

4,411,659 A * 10/1983 Jensen A61F 5/441
 604/332
 4,439,191 A * 3/1984 Hogan A61F 5/445
 604/332

FOREIGN PATENT DOCUMENTS

DE 102010048316 4/2012

Primary Examiner — David Muller

Assistant Examiner — Nathan Johnston

(74) *Attorney, Agent, or Firm* — Dinsmore & Shohl LLP

(57) **CLAIM**

The ornamental design for a plaster for tracheostoma, as shown and described.

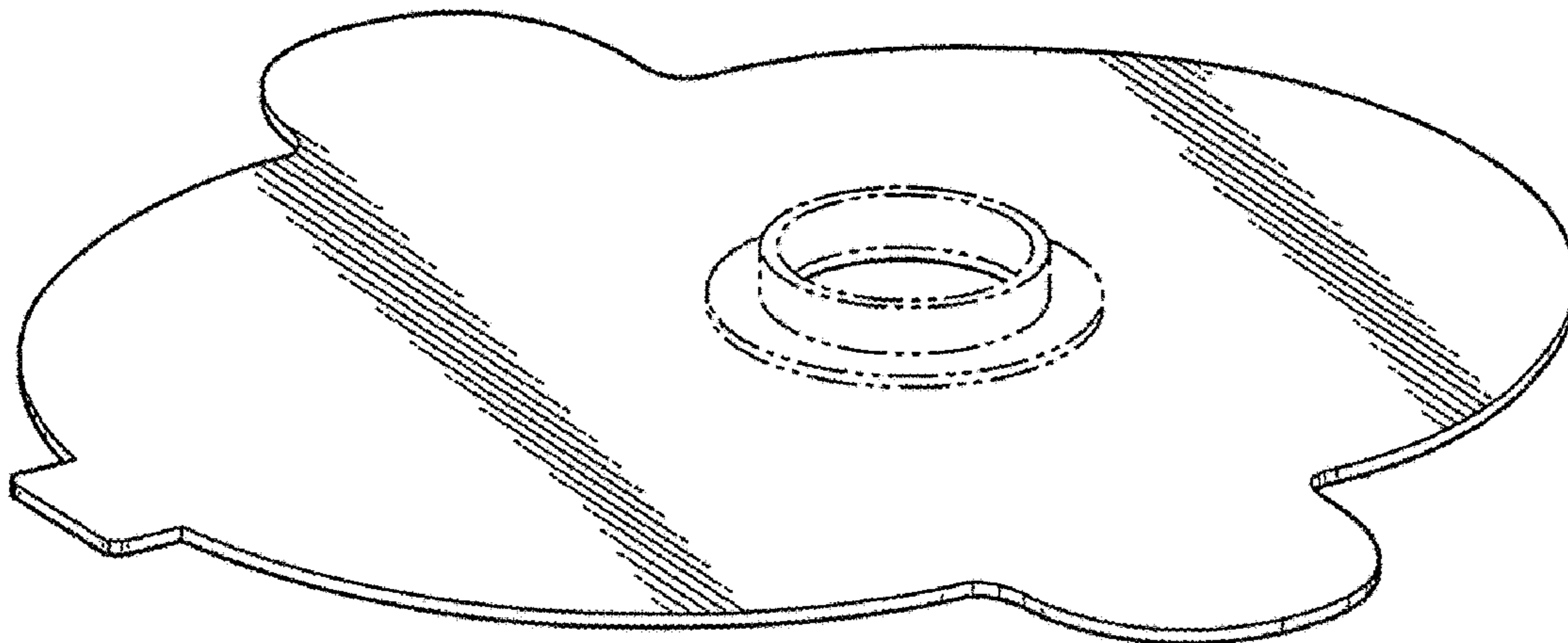
DESCRIPTION

FIG. 1 is a perspective front view of a plaster for tracheostoma showing our new design;
 FIG. 2 is a front elevation view thereof;
 FIG. 3 is a rear elevation view thereof;
 FIG. 4 is an end elevation view thereof;
 FIG. 5 is an opposite end elevation view thereof;
 FIG. 6 is a side elevation view thereof; and,
 FIG. 7 is an opposite side elevation view.

The broken line showing of parts of the drawings is included for the purpose of illustrating use and environment and forms no part of the claimed design.

The design relates to a plaster device for persons having a tracheostoma comprising a disc having a socket for attaching a tracheostoma valve, the disc having a central opening and a rear side with adhesive tape, the disc being fixed to the tape.

1 Claim, 2 Drawing Sheets



(56)

References Cited

U.S. PATENT DOCUMENTS

4,830,187 A	5/1989	Keyes et al.					
4,846,820 A	7/1989	Jensen					
D303,575 S *	9/1989	Steer	D24/118				
4,917,691 A	4/1990	Briggs					
5,022,693 A *	6/1991	Loveless	A61F 5/445				
			16/110.1				
D323,029 S *	1/1992	Doss	D24/121				
5,085,652 A	2/1992	Johnsen et al.					
5,125,917 A *	6/1992	Whealin	A61F 5/448				
			604/332				
5,147,340 A *	9/1992	Lavender	A61F 5/448				
			604/332				
5,306,264 A *	4/1994	Ferguson	A61F 5/441				
			604/332				
5,312,382 A	5/1994	Metz					
5,370,638 A *	12/1994	Keyes	A61F 5/441				
			55/385.4				
5,380,309 A *	1/1995	Keyes	A61F 5/448				
			604/332				
5,417,677 A *	5/1995	Schneider	A61F 5/445				
			604/332				
5,470,325 A *	11/1995	Fundock	A61F 5/441				
			604/332				
5,549,588 A *	8/1996	Johnsen	A61F 5/448				
			604/338				
D379,654 S	6/1997	Holtermann					
5,643,234 A	7/1997	Lesko					
5,662,628 A	9/1997	Hollands					
5,672,163 A *	9/1997	Ferreira	A61F 5/441				
			604/333				
5,690,621 A	11/1997	Canela					
5,759,180 A *	6/1998	Myhres	A61F 5/445				
			428/343				
5,814,033 A	9/1998	Edwards					
5,830,200 A	11/1998	Steer et al.					
5,935,115 A	8/1999	Espina					
6,015,399 A	1/2000	Mracna et al.					
6,656,169 B1	12/2003	Steer					
6,685,684 B1 *	2/2004	Falconer	A61F 5/441				
			604/332				
6,726,667 B2	4/2004	Leise, Jr. et al.					
7,025,754 B2	4/2006	Proicou et al.					
D539,424 S	3/2007	Persson et al.					
7,517,339 B2 *	4/2009	Pedersen	A61F 5/448				
			604/344				
7,556,707 B2 *	7/2009	Giori	A61F 5/448				
			156/247				
7,604,622 B2 *	10/2009	Pedersen	A61F 5/441				
			604/333				
D607,559 S	1/2010	Schena					
D622,377 S	8/2010	Jackson					
7,815,618 B2	10/2010	Schena et al.					
D674,502 S	1/2013	Dunn et al.					
D676,550 S	2/2013	Masters et al.					
8,684,982 B2	4/2014	Nguyen-DeMary et al.					
D754,332 S *	4/2016	Fahl	D24/118				
2002/0032418 A1	3/2002	Iseke					
2003/0204174 A1	10/2003	Cisco					
2004/0087920 A1	5/2004	Etheredge					
2008/0071236 A1	3/2008	Lee					
2008/0269699 A1 *	10/2008	O'Toole	A61F 5/445				
			604/332				
2008/0269700 A1	10/2008	O'Toole et al.					
2009/0234312 A1 *	9/2009	O'Toole	A61F 5/4405				
			604/332				
2014/0194843 A1 *	7/2014	Masters	A61F 5/4405				
			604/333				
2014/0309604 A1	10/2014	Paratore					
2015/0018788 A1	1/2015	Pham et al.					

* cited by examiner

FIG. 1

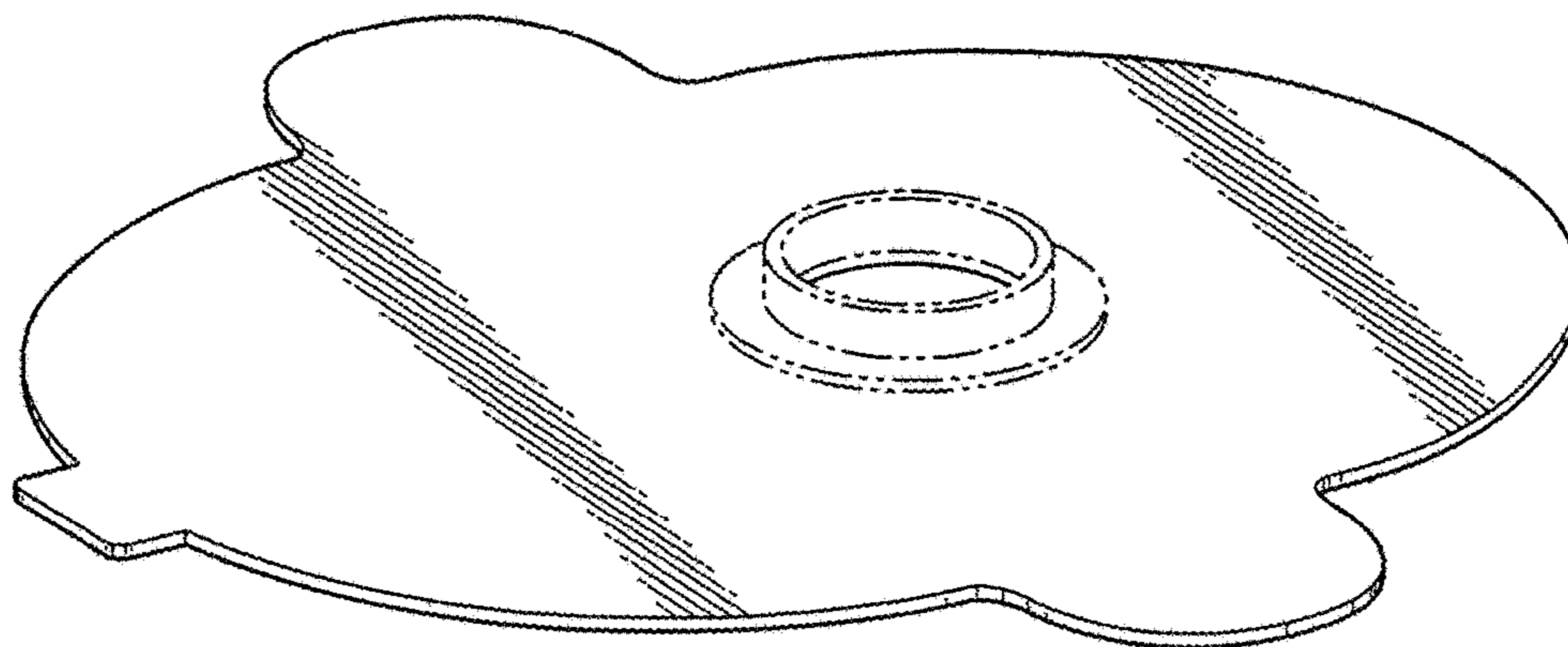


FIG. 2

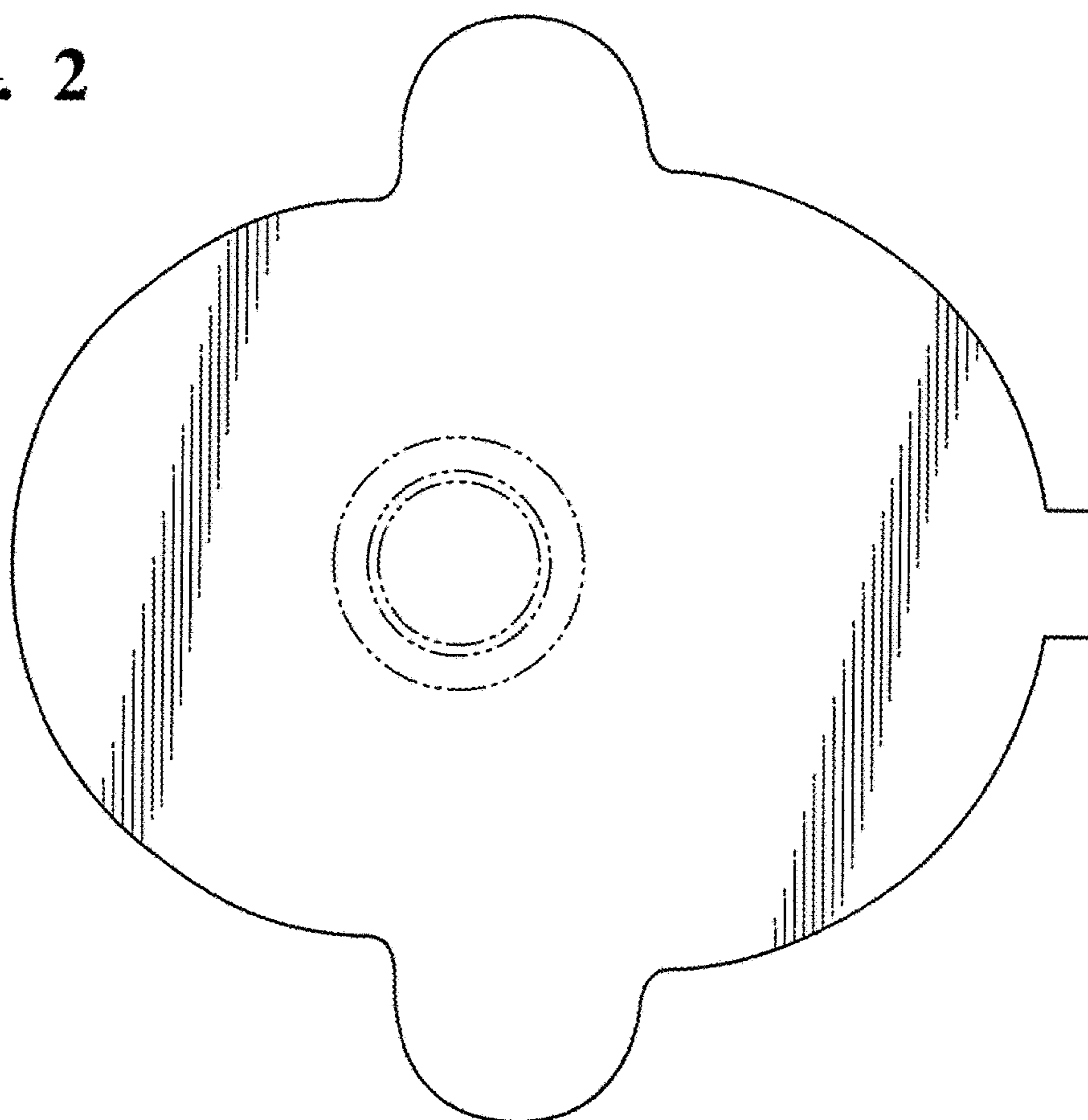


FIG. 3

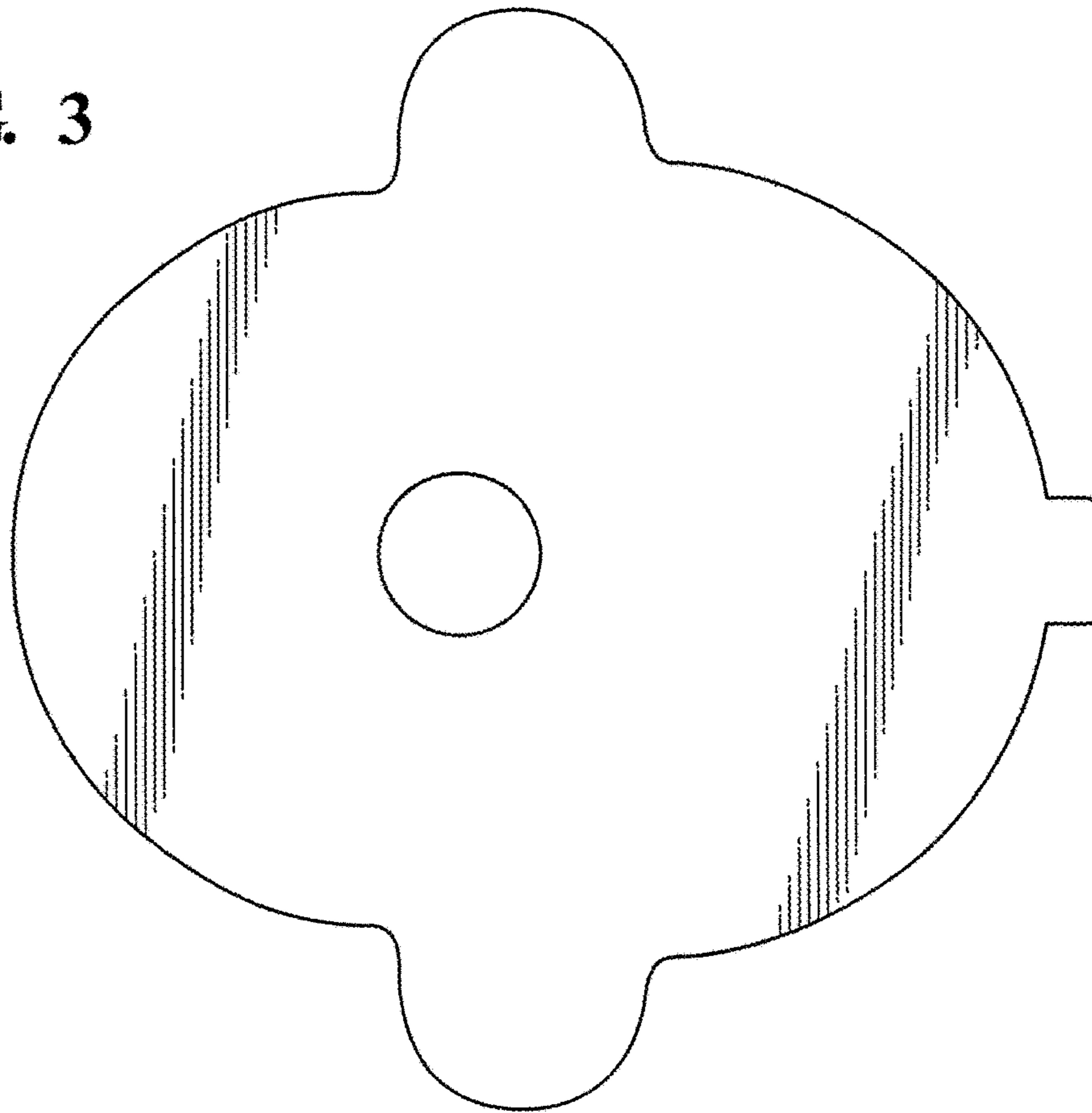


FIG. 4

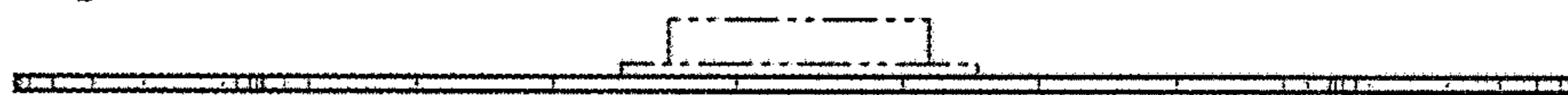


FIG. 5

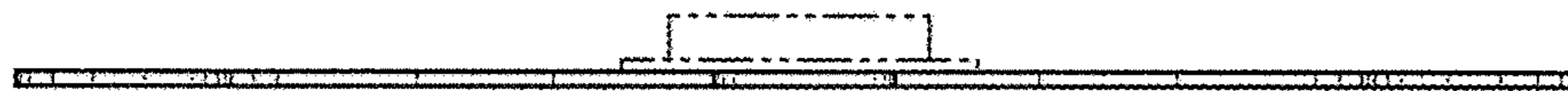


FIG. 6

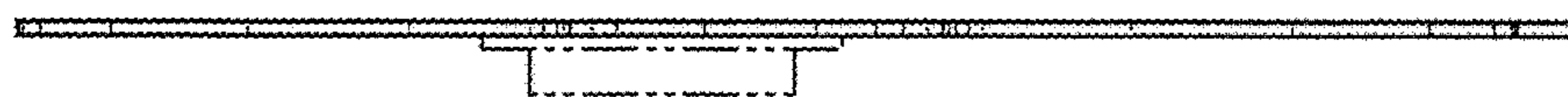


FIG. 7

