



US00D786420S

(12) **United States Design Patent** (10) **Patent No.:** **US D786,420 S**
Schmitt (45) **Date of Patent:** **** May 9, 2017**

- (54) **FLUID DRAINAGE DEVICE** 4,578,060 A * 3/1986 Huck A61M 1/0011
604/133
- (71) Applicant: **NUANGLE MEDICAL (PTY) LTD,** 5,067,950 A * 11/1991 Broadnax, Jr. A61M 39/14
Sandton (ZA) 604/317
- (72) Inventor: **Karl-Heinz Schmitt,** Sandton (ZA) 6,358,232 B1 * 3/2002 Hand A61M 1/0005
141/329
- (73) Assignee: **NUANGLE MEDICAL (PTY) LTD,** D641,866 S * 7/2011 Burgess D24/121
Sandton (ZA) 2016/0106891 A1 * 4/2016 Schmitt A61M 1/0003
604/319

* cited by examiner

(**) Term: **14 Years**

Primary Examiner — Barbara Fox

(21) Appl. No.: **29/510,419**

Assistant Examiner — Lilyana Bekic

(22) Filed: **Nov. 26, 2014**

(74) *Attorney, Agent, or Firm* — Michael Best & Friedrich LLP

(51) **LOC (10) Cl.** **24-01**

(52) **U.S. Cl.**
USPC **D24/108**

(57) **CLAIM**

(58) **Field of Classification Search**
USPC D24/107, 108, 111, 188, 185
CPC .. A61M 1/0088; A61M 1/0031; A61M 27/00;
A61M 1/0023; A61M 1/0001; A61M
1/009; A61M 1/0096; A61M 1/0058;
A61M 1/0066; A61M 1/00
See application file for complete search history.

I claim the ornamental design for a fluid drainage device, as shown and described.

DESCRIPTION

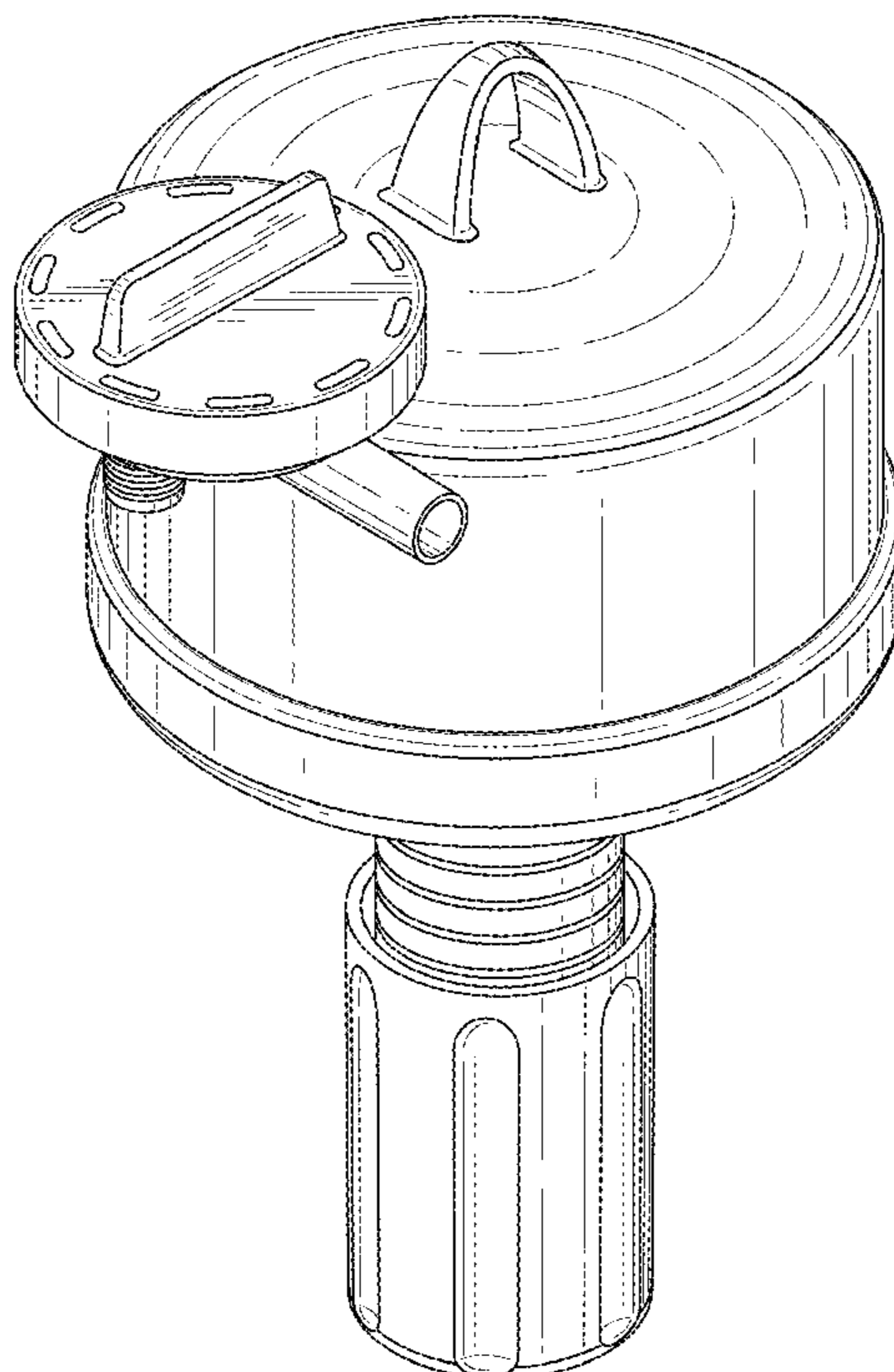
(56) **References Cited**

U.S. PATENT DOCUMENTS

- 3,965,902 A * 6/1976 Reilly A61M 1/0049
141/59
- 3,989,046 A * 11/1976 Pannier, Jr. A61M 1/0001
128/DIG. 24
- 4,278,089 A * 7/1981 Huck A61M 1/0011
141/26

FIG. 1 is a top perspective view of a fluid drainage device showing the new design.
FIG. 2 is a front view of the fluid drainage device.
FIG. 3 is a rear view of the fluid drainage device.
FIG. 4 is a left side view of the fluid drainage device.
FIG. 5 is a right side view of the fluid drainage device.
FIG. 6 is a top plan view of the fluid drainage device; and, FIG. 7 is a bottom plan view of the fluid drainage device.
Any broken lines in the drawings illustrate portions of the fluid drainage device that form no part of the claimed design.

1 Claim, 6 Drawing Sheets



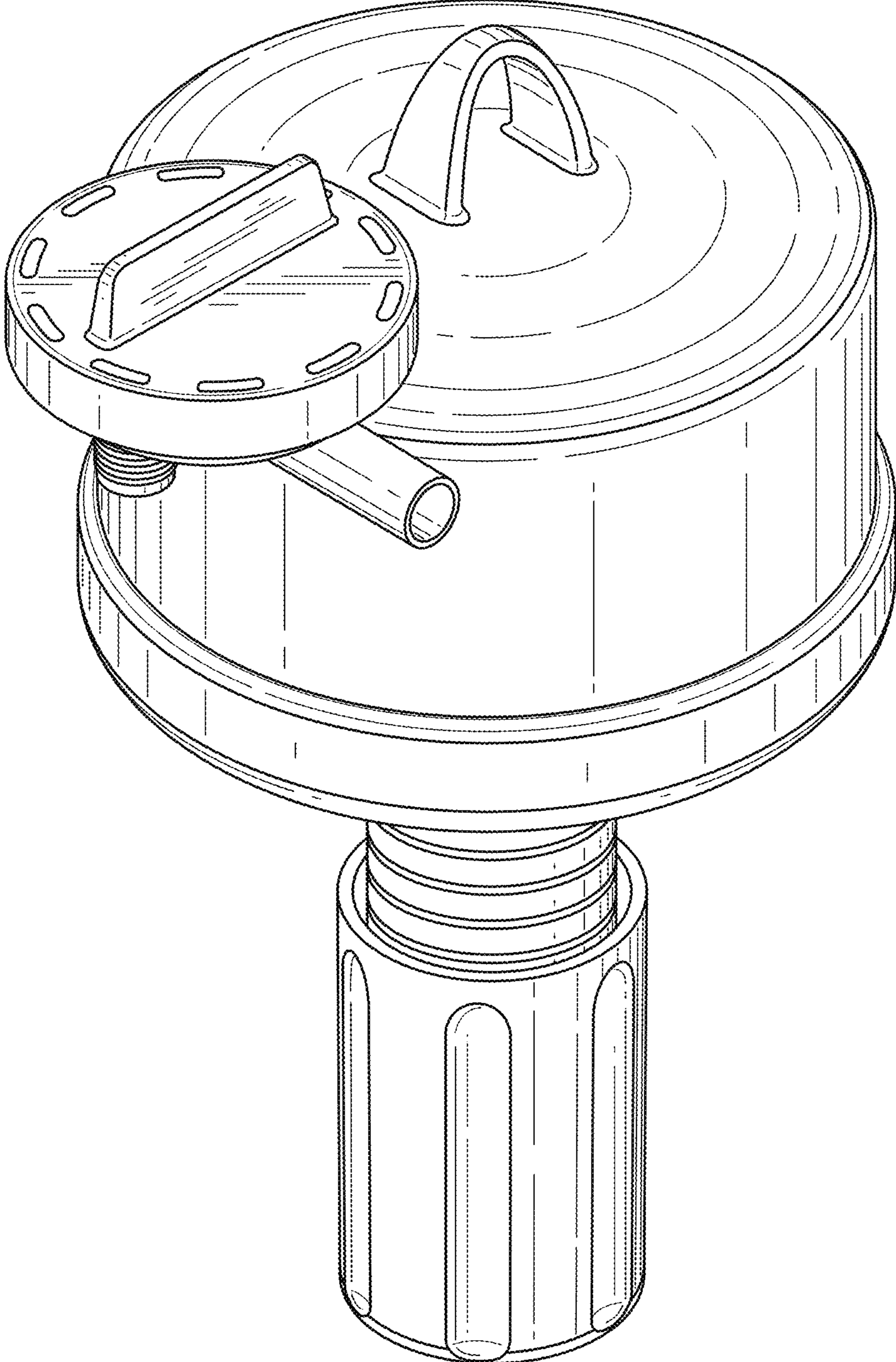


FIG. 1

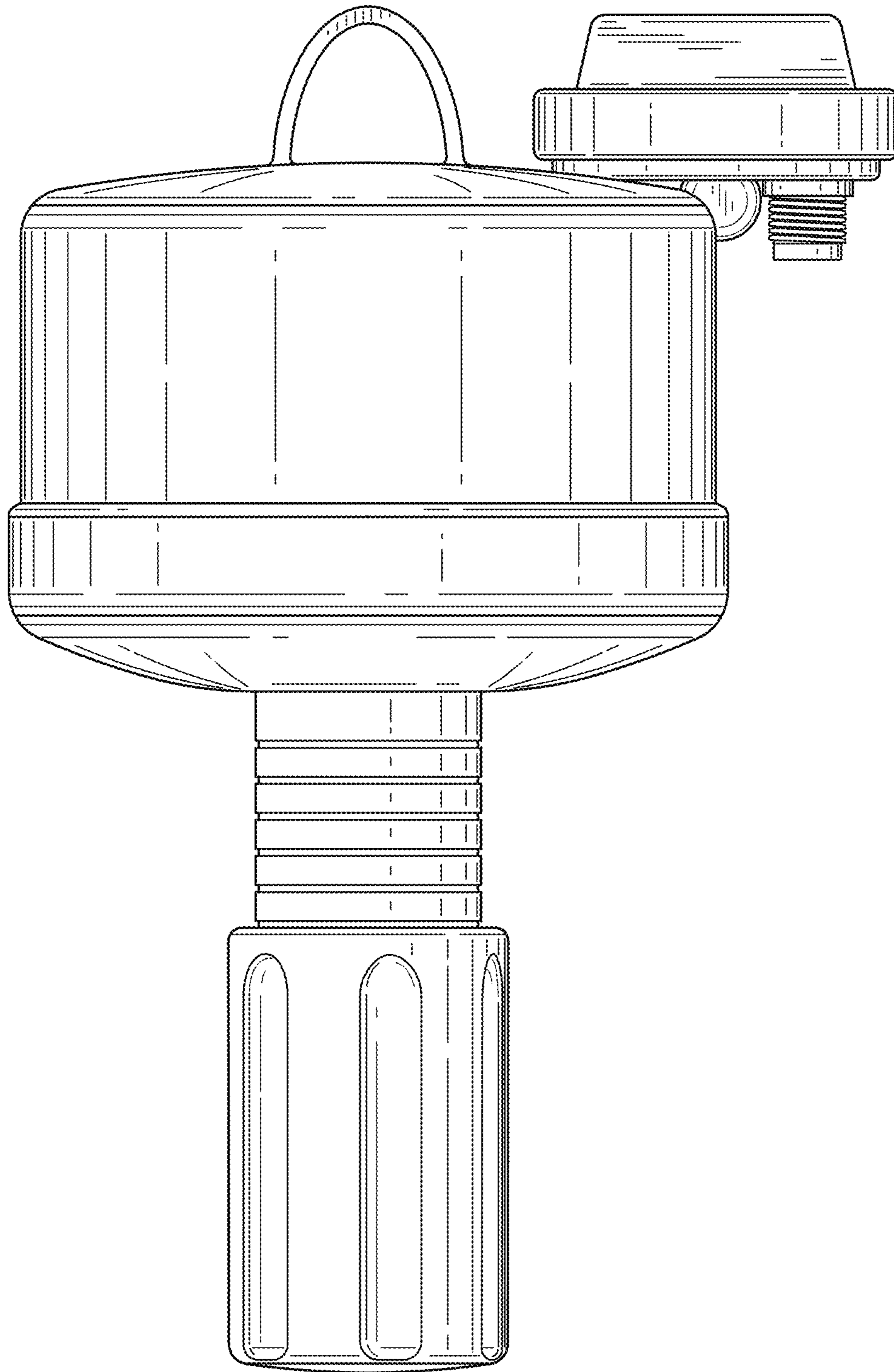


FIG. 2

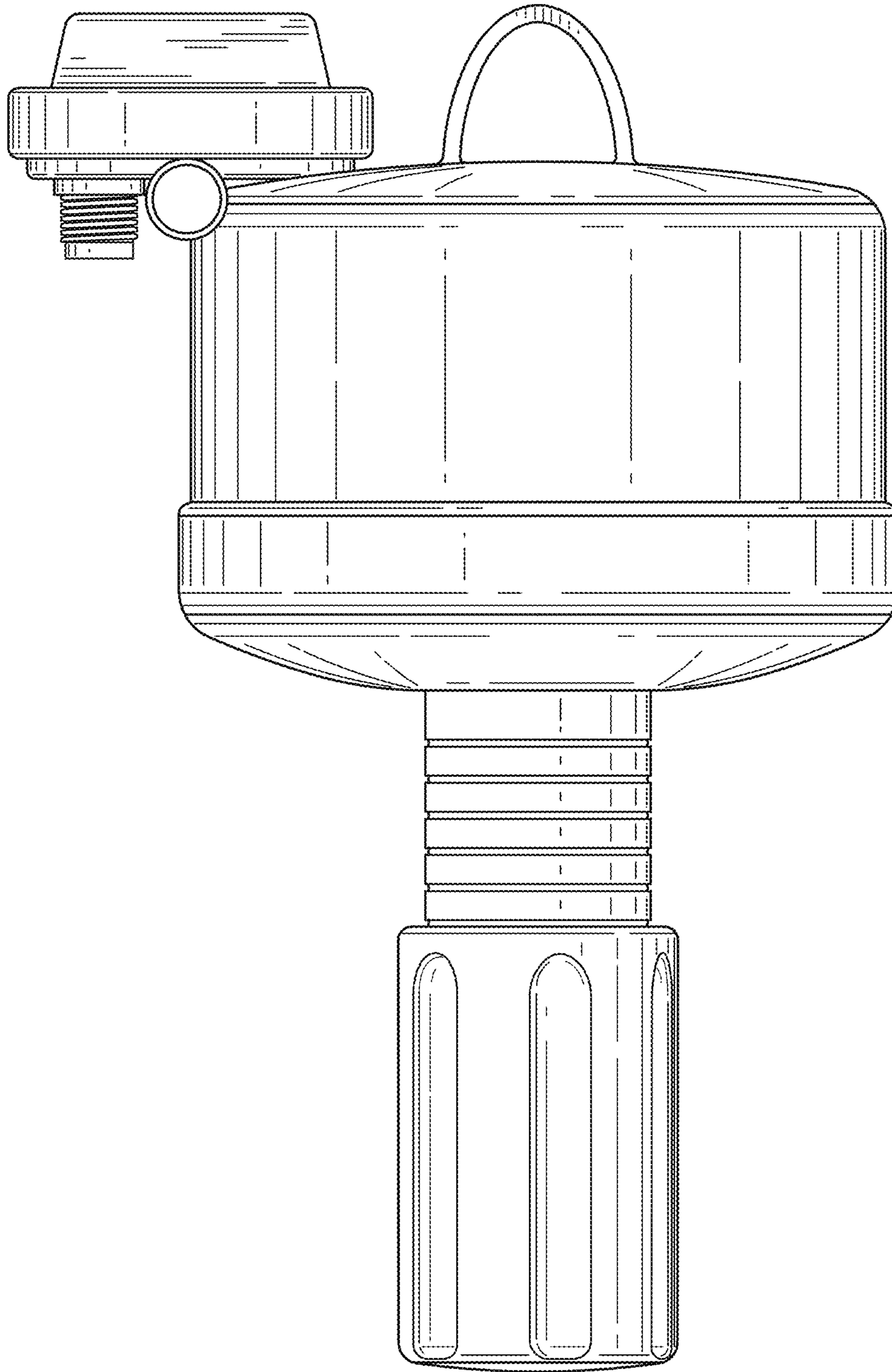


FIG. 3

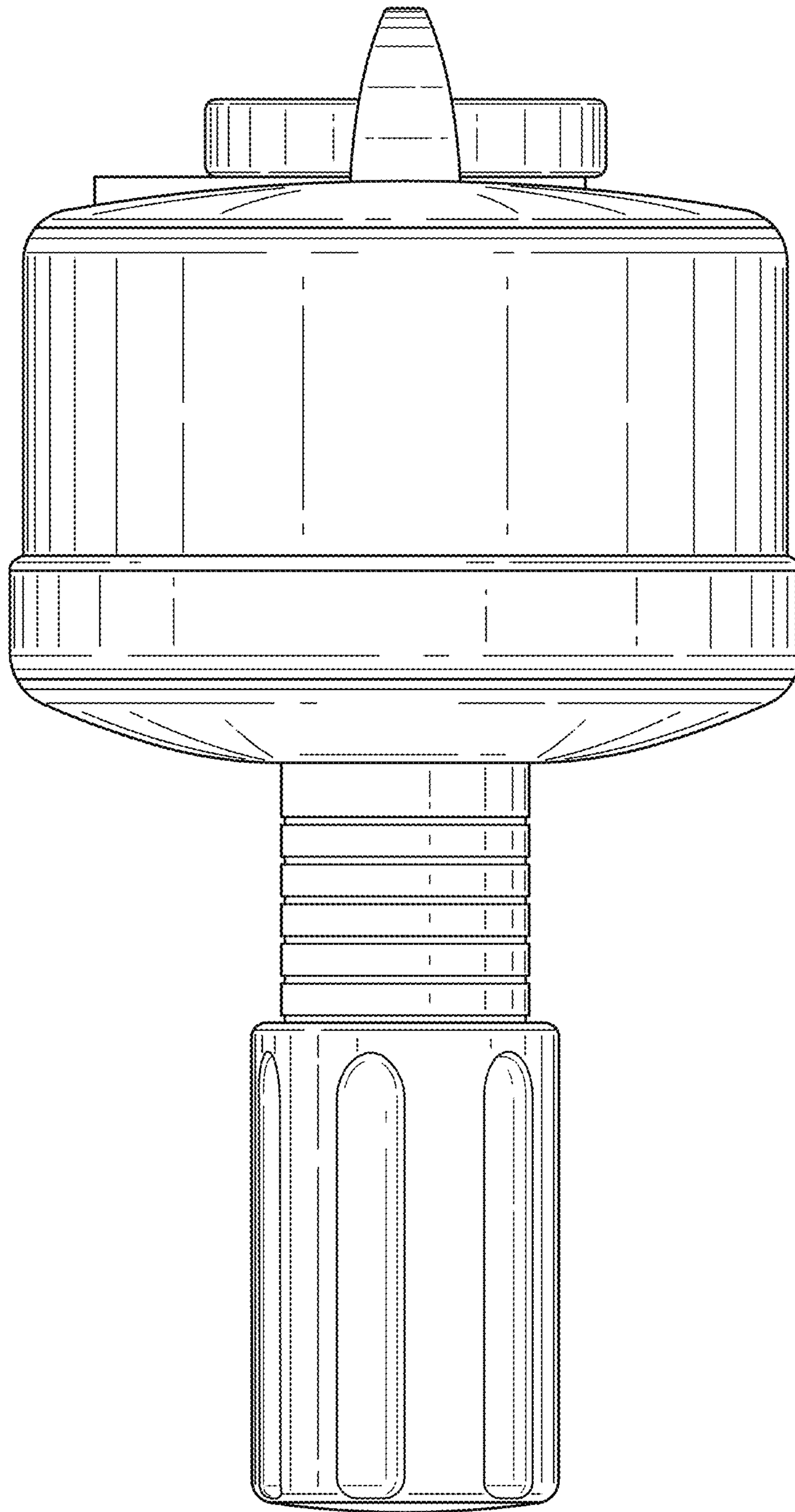


FIG. 4

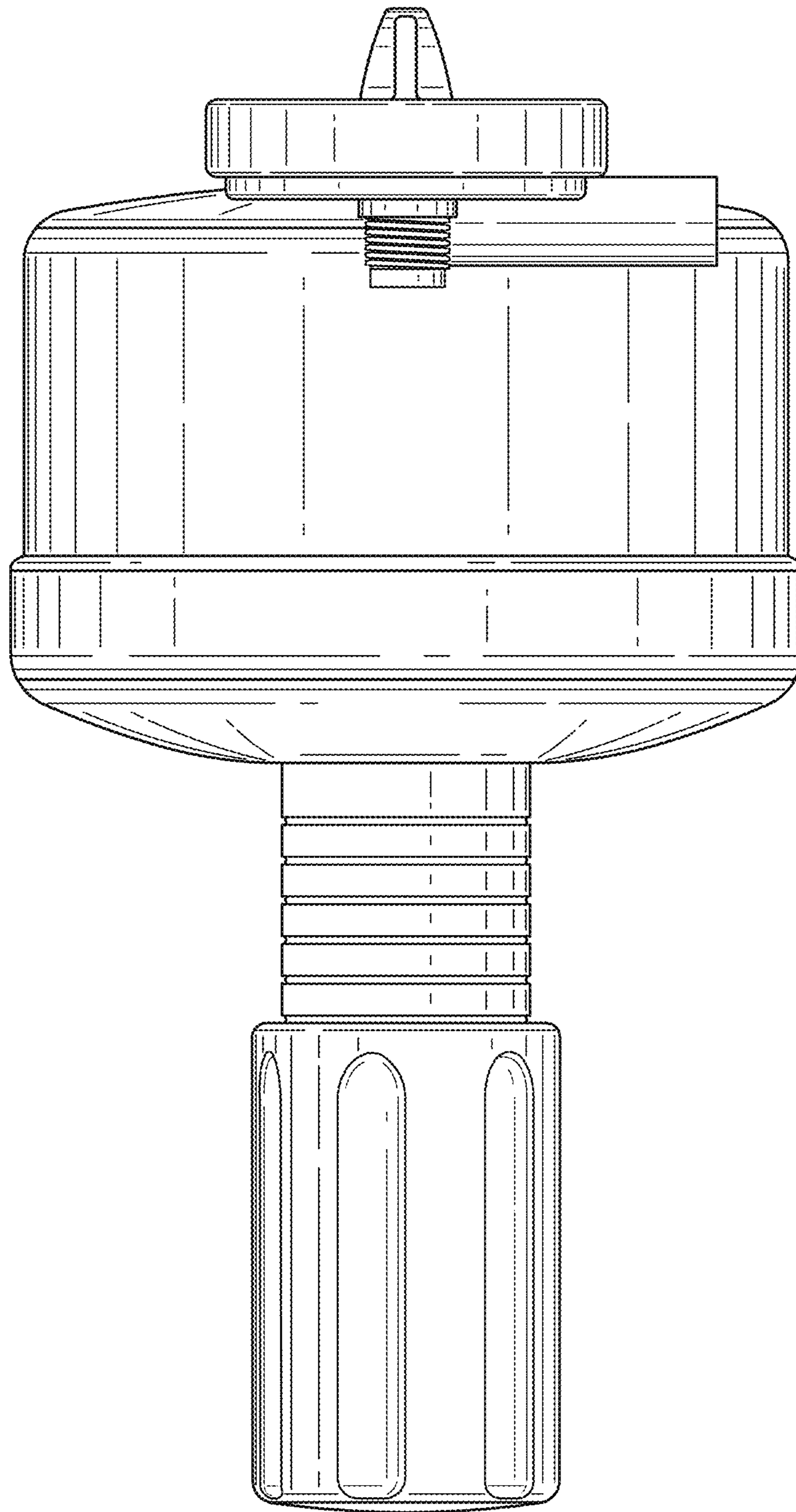


FIG. 5

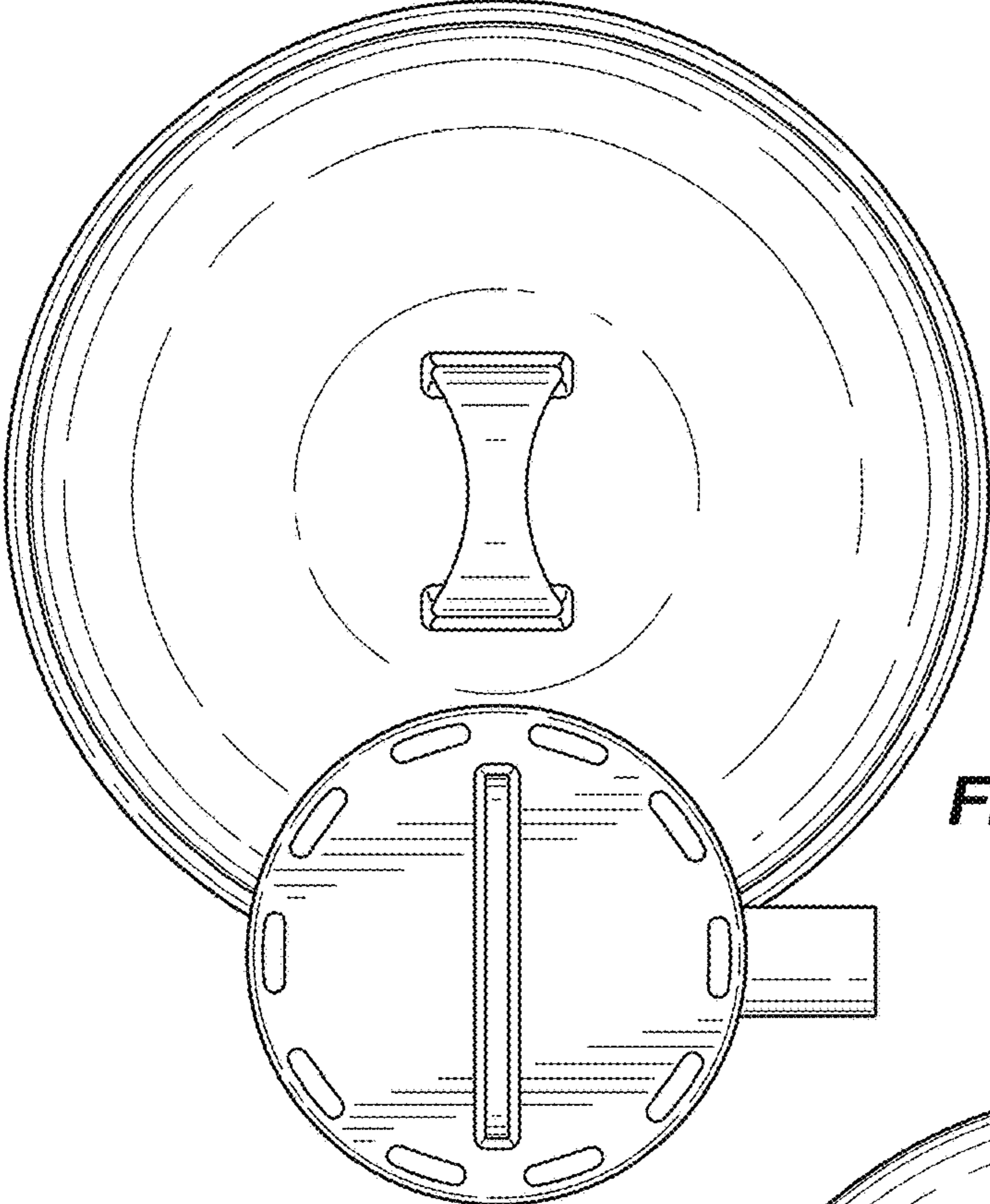


FIG. 6

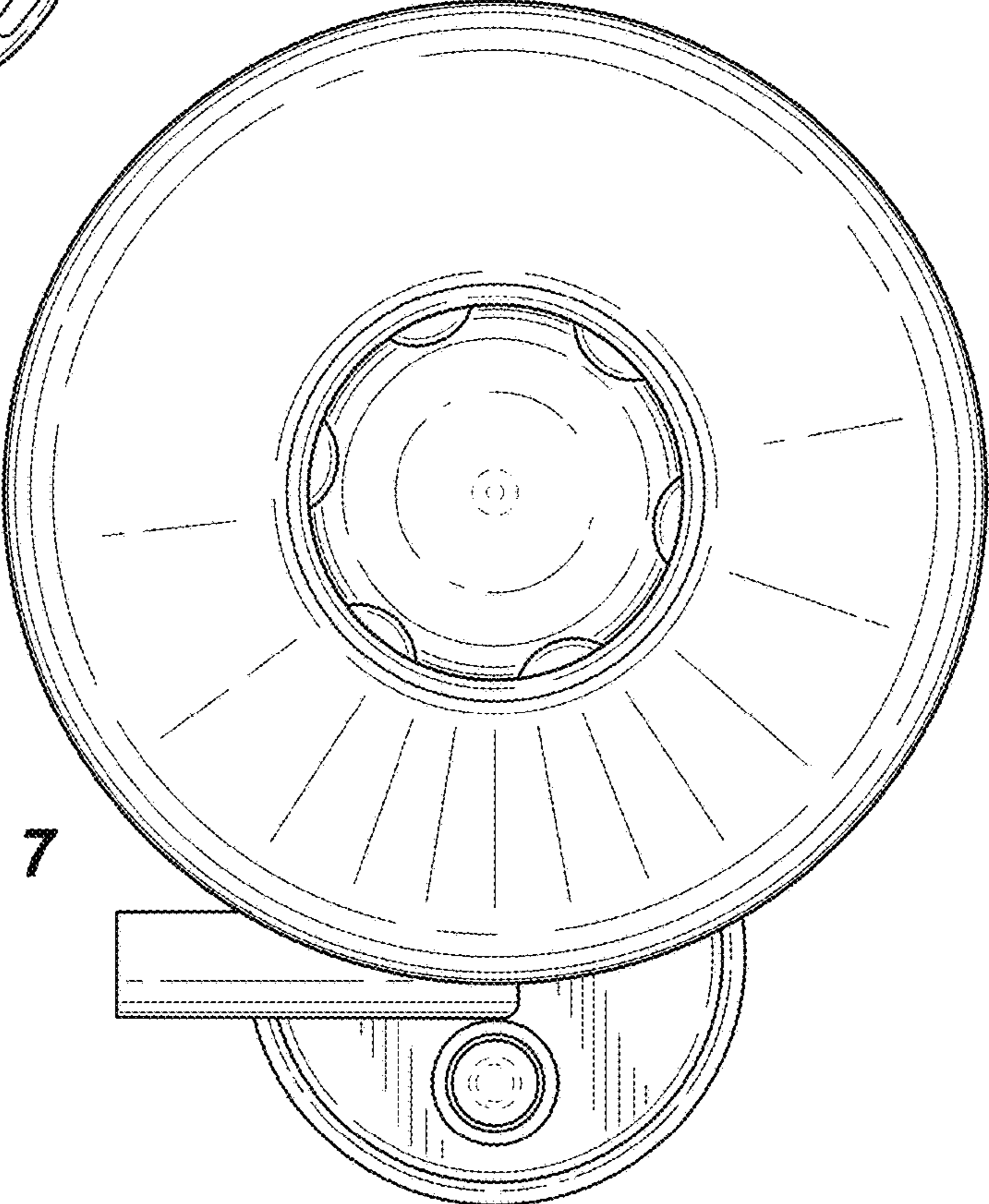


FIG. 7