



US00D786417S

(12) **United States Design Patent** (10) **Patent No.:** **US D786,417 S**
Hirano (45) **Date of Patent:** **** May 9, 2017**

(54) **FAN FILTER UNIT** 2,300,842 A * 11/1942 Leslie E04D 13/17
454/361
(71) Applicant: **Hitachi Kokusai Electric Inc.**, Tokyo D155,345 S * 9/1949 Johnson D23/373
(JP) D226,609 S * 4/1973 Drew D23/373
D226,636 S * 4/1973 Van Doren, Jr. D23/335
(72) Inventor: **Makoto Hirano**, Toyama (JP) D376,842 S * 12/1996 Franklin D23/314
D558,321 S * 12/2007 Kramer D23/370
D587,796 S * 3/2009 Reese D23/370
(73) Assignee: **HITACHI KOKUSAI ELECTRIC** D674,077 S * 1/2013 Miyake D23/372
INC., Tokyo (JP) D675,719 S * 2/2013 Eicher D23/373
D716,424 S * 10/2014 Merrill D23/314
(**) Term: **14 Years** 2010/0051010 A1* 3/2010 Colburn F24C 15/2028
126/299 D
(21) Appl. No.: **29/510,077** 2016/0131392 A1* 5/2016 Mantyla F24F 13/082
454/353

(22) Filed: **Nov. 25, 2014**

(30) **Foreign Application Priority Data**

May 30, 2014 (JP) 2014-011608

(51) **LOC (10) Cl.** **23-04**

(52) **U.S. Cl.**
USPC **D23/370**

(58) **Field of Classification Search**

USPC D23/370-387, 411-414, 365, 355, 342,
D23/332, 328, 337, 335, 314, 393;
415/60, 66, 68, 208.1, 213.1, 214.1,
415/209.3; 310/257; 361/695;
126/299 D, 299 R

CPC F01D 9/042; F04D 25/08; F04D 29/70;
F24F 7/007; F24F 13/082; F24F 7/065;
F24F 13/078; F24F 7/04; F24F 7/02;
B01D 46/00; H05K 7/20

See application file for complete search history.

(56) **References Cited**

U.S. PATENT DOCUMENTS

2,102,681 A * 12/1937 Curtis F24F 13/06
454/331
D124,294 S * 12/1940 Leslie D23/373
2,284,912 A * 6/1942 Collins F24F 13/1426
126/285 R

* cited by examiner

Primary Examiner — Susan Bennett Hattan

Assistant Examiner — Janice Hallmark

(74) *Attorney, Agent, or Firm* — Fitch, Even, Tabin & Flannery LLP

(57) **CLAIM**

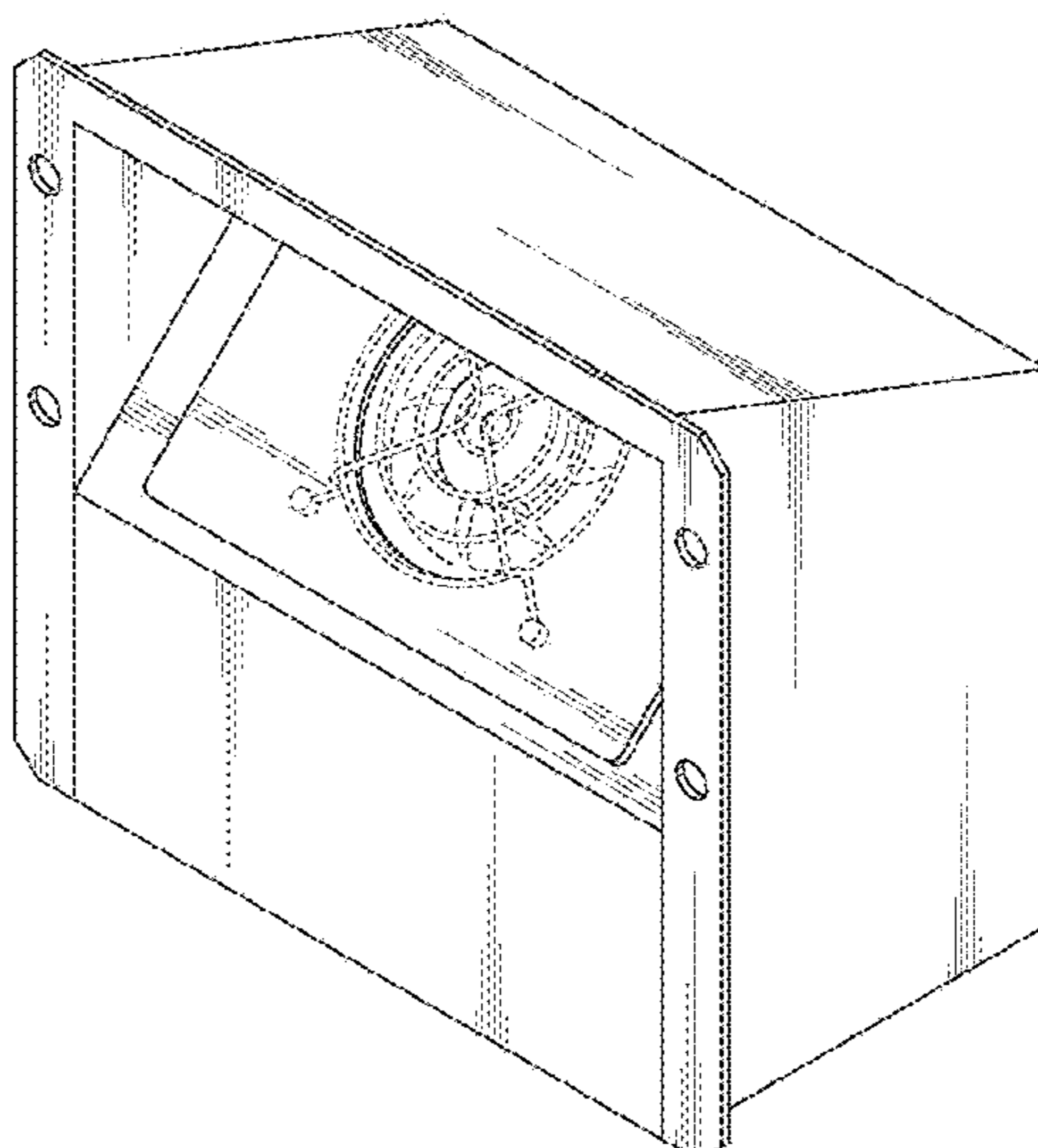
The ornamental design for a fan filter unit, as shown and described.

DESCRIPTION

FIG. 1 is a front, top and right side perspective view of an fan filter unit showing our new design;
FIG. 2 is a front elevational view thereof;
FIG. 3 is a rear elevational view thereof;
FIG. 4 is a left side elevational view thereof;
FIG. 5 is a right side elevational view thereof;
FIG. 6 is a top plan view thereof;
FIG. 7 is a bottom plan view thereof; and,
FIG. 8 is a cross-sectional view taken along lines 8-8 in FIG. 2.

The broken lines shown in the drawings represent portions of the fan filter unit that form no part of the claimed design.

1 Claim, 6 Drawing Sheets



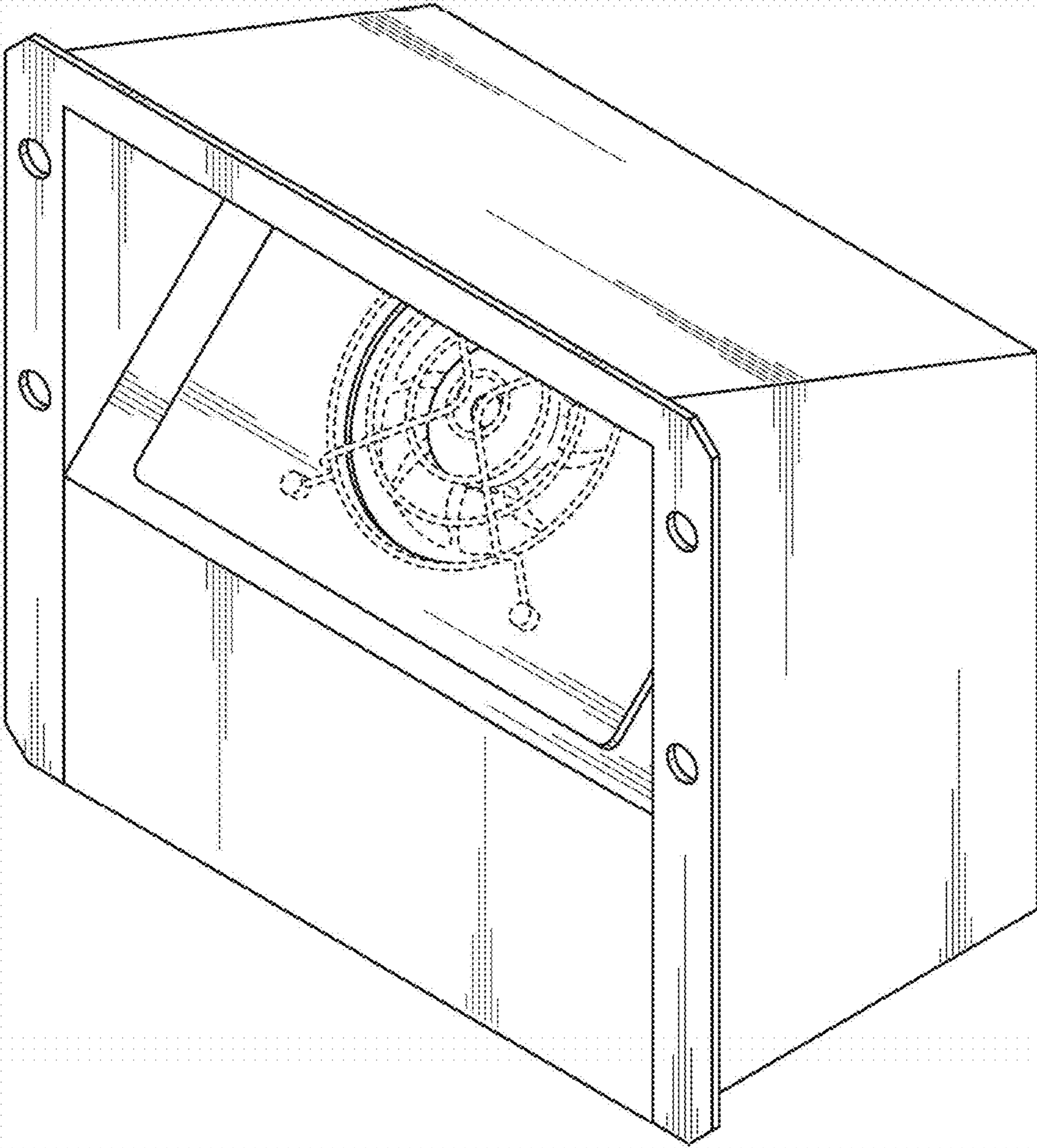
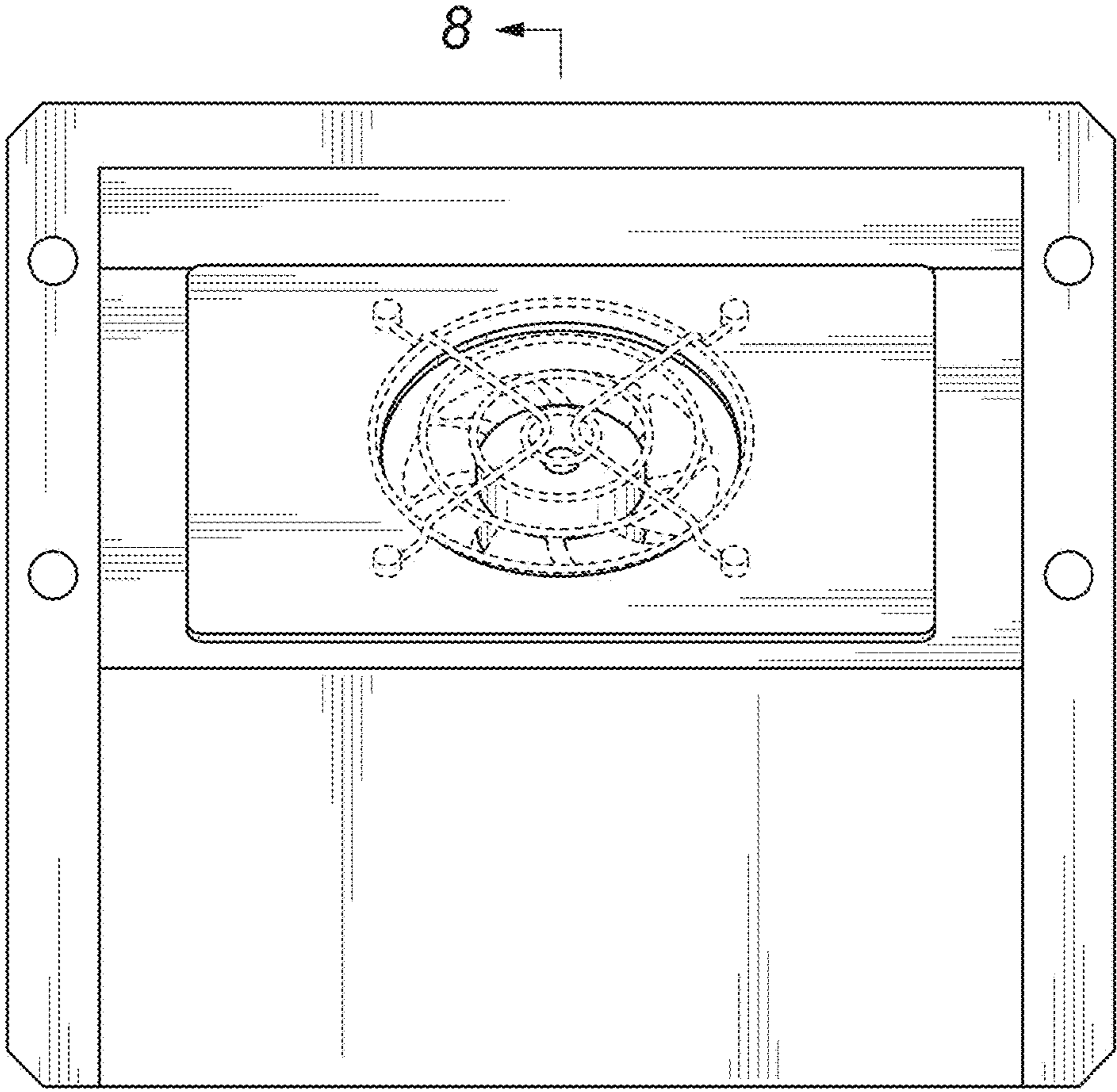


FIG. 1



8 ←
FIG. 2

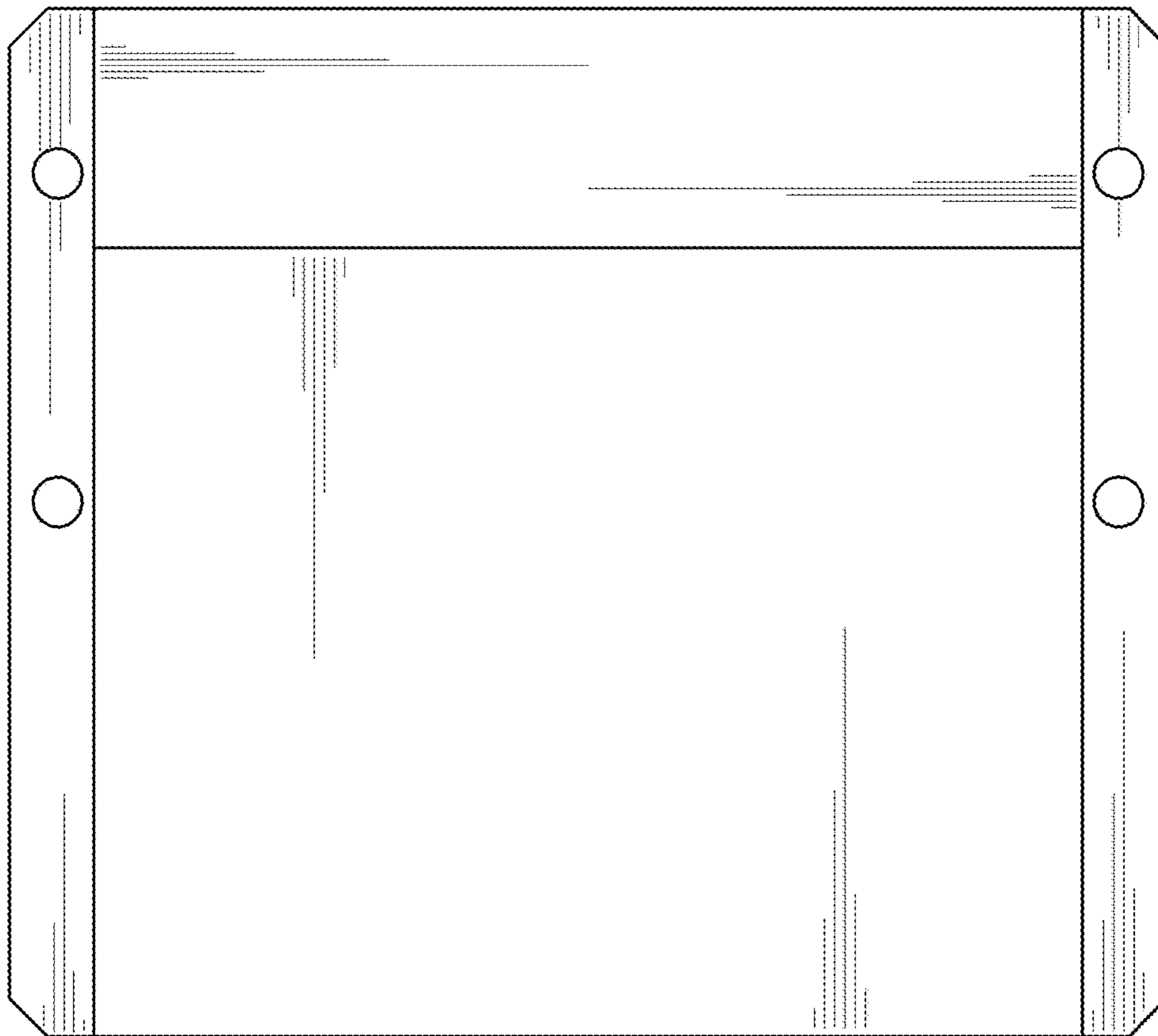


FIG. 3

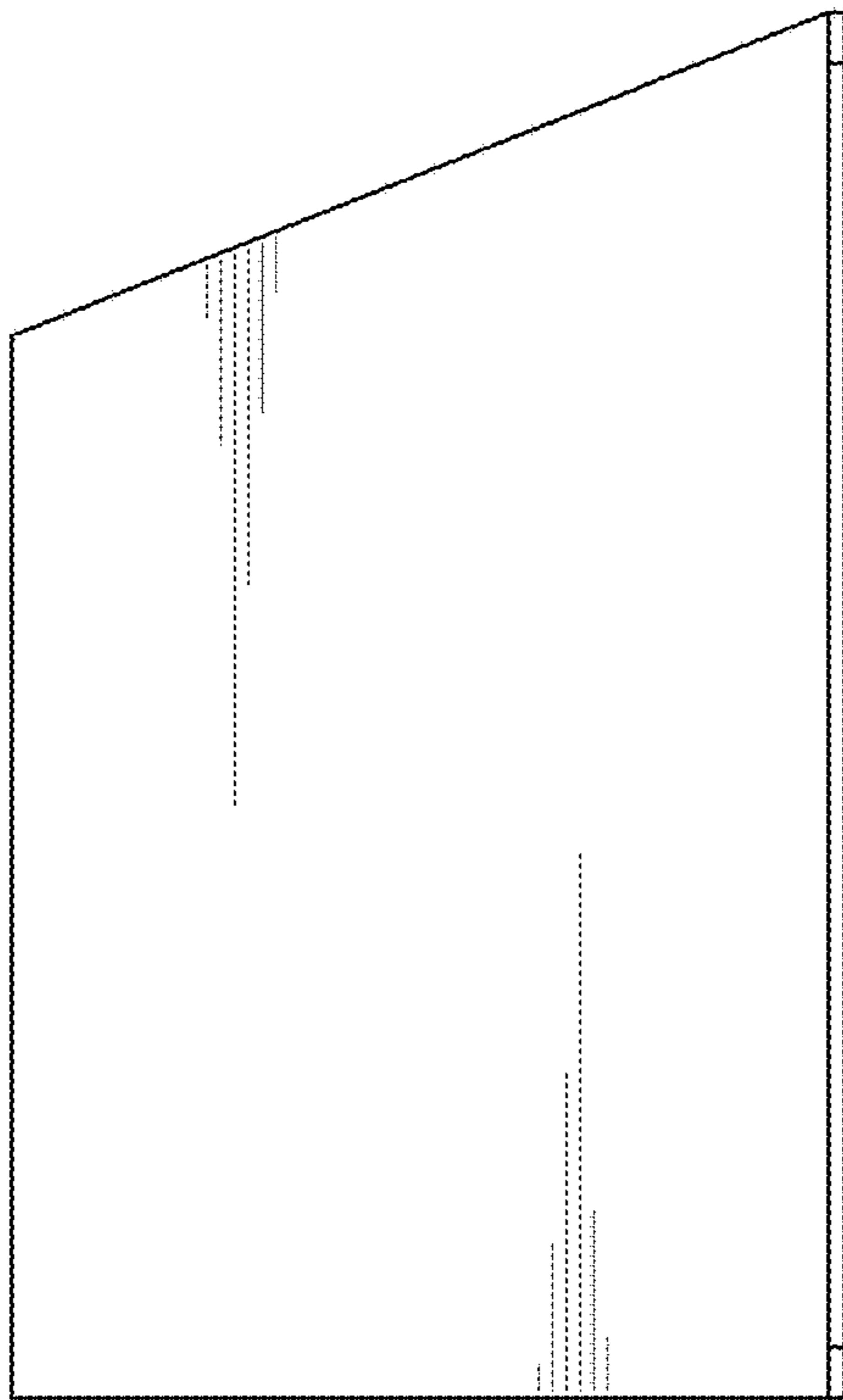


FIG. 4

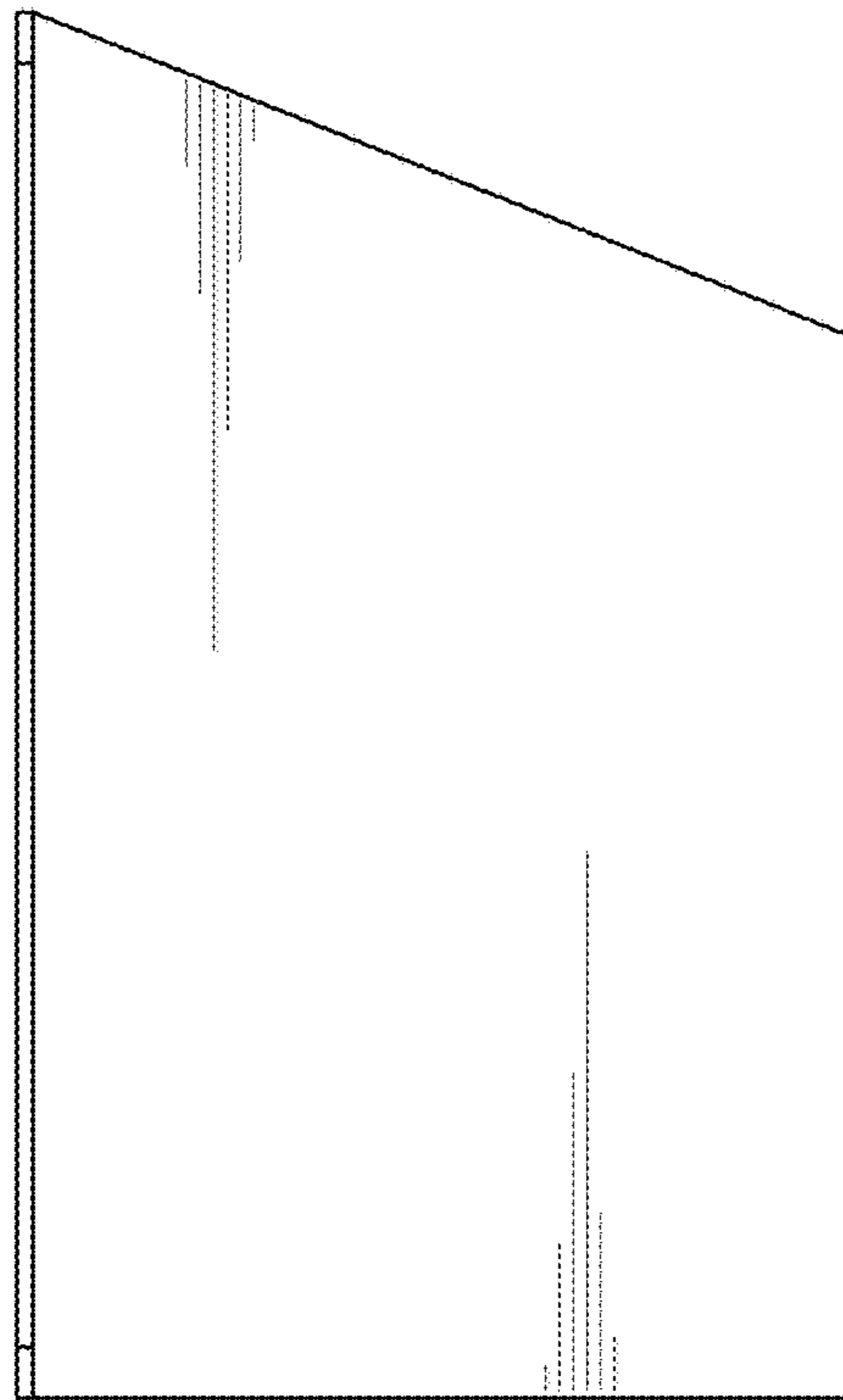


FIG. 5

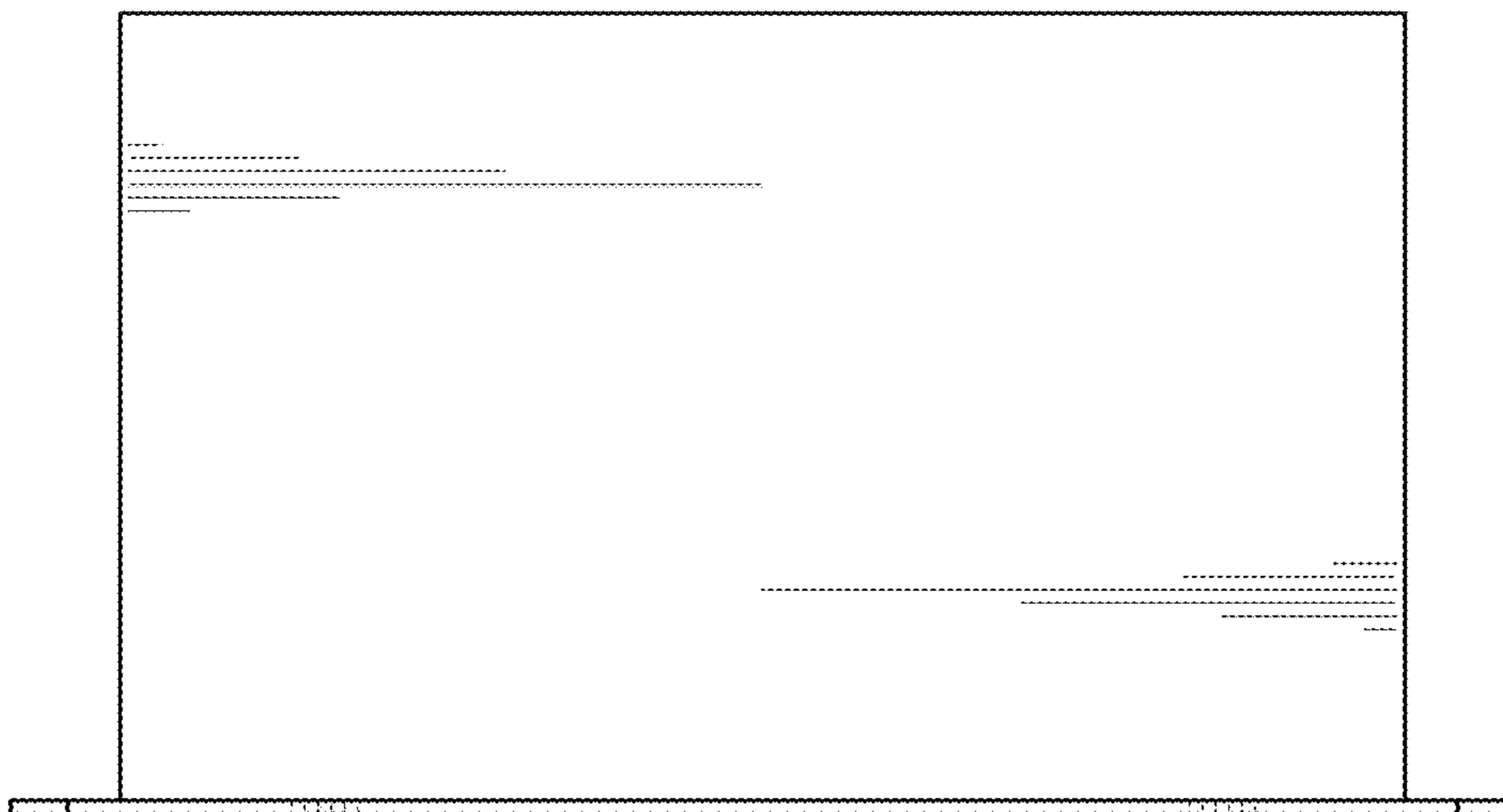


FIG. 6

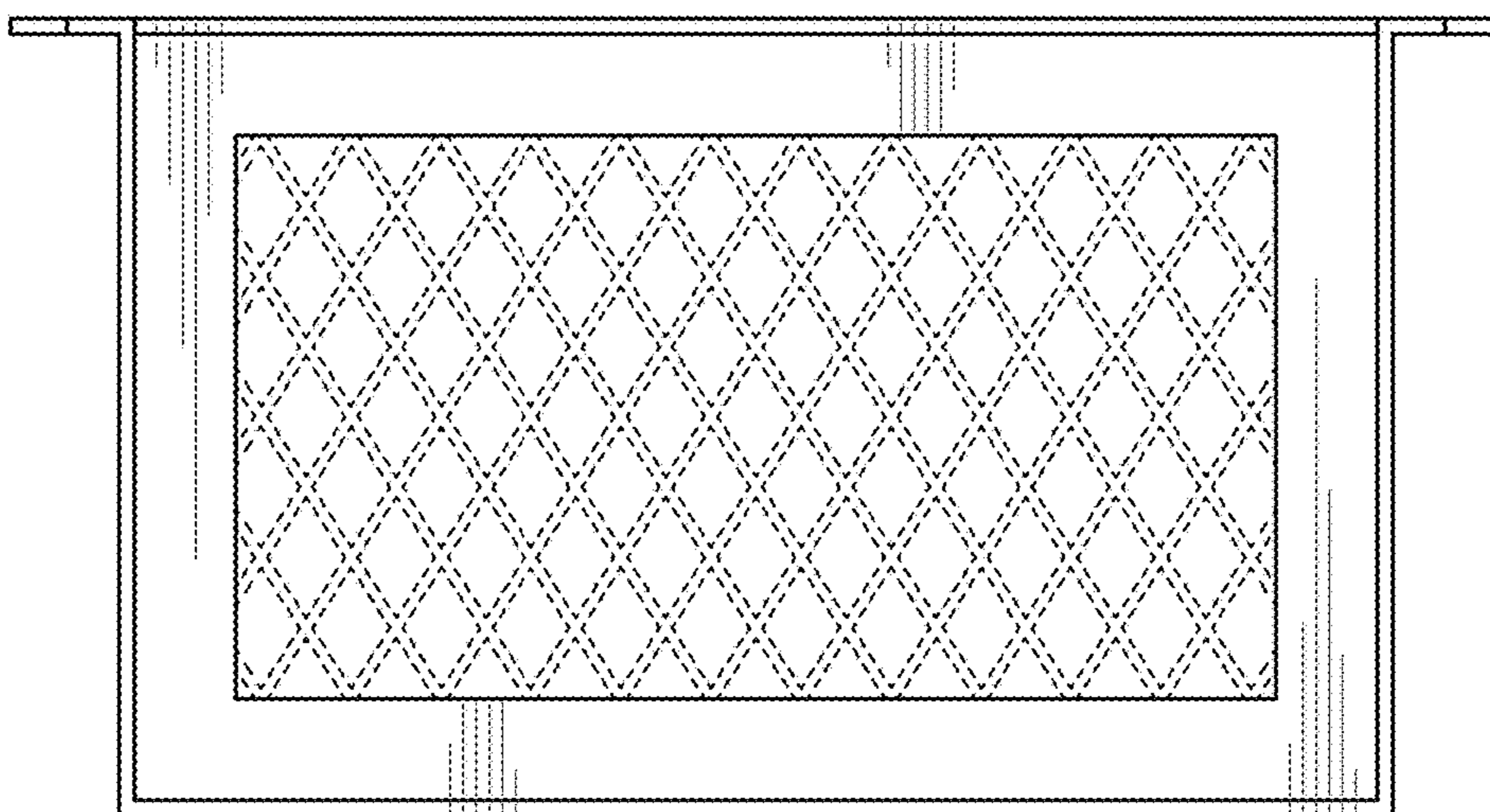


FIG. 7

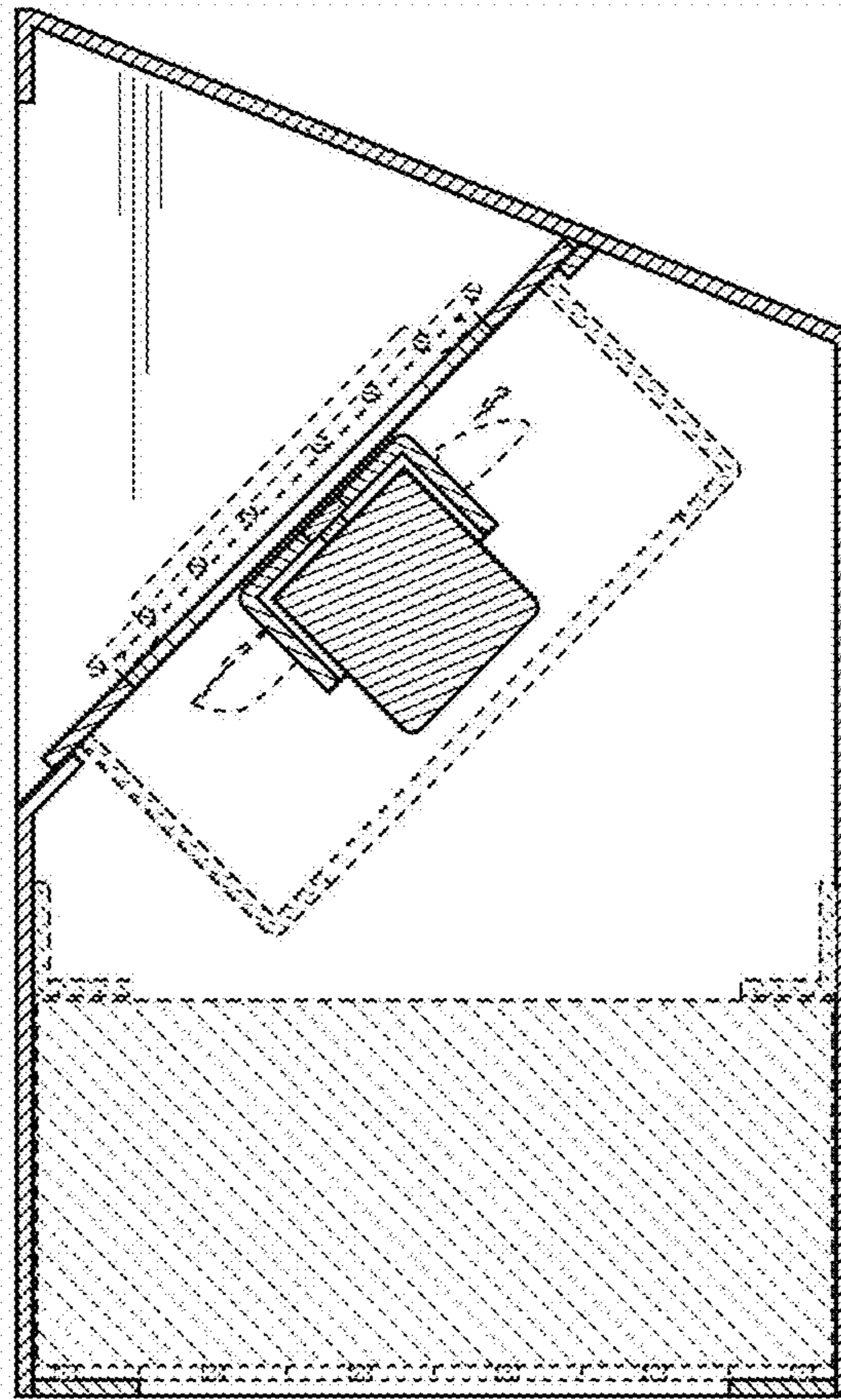


FIG. 8