

US00D786413S

(12) **United States Design Patent**
Martin, Sr.

(10) **Patent No.:** **US D786,413 S**

(45) **Date of Patent:** **** May 9, 2017**

(54) **AIR PROCESSOR**

(71) Applicant: **Lendell Martin, Sr.**, Cypress, TX (US)

(72) Inventor: **Lendell Martin, Sr.**, Cypress, TX (US)

(**) Term: **15 Years**

(21) Appl. No.: **29/505,934**

(22) Filed: **Apr. 18, 2016**

(51) **LOC (10) Cl.** **23-04**

(52) **U.S. Cl.**
USPC **D23/351**

(58) **Field of Classification Search**
USPC D23/333, 335, 341, 342, 351, 353, 354,
D23/355, 356, 359, 364, 365, 370, 385,
D23/386, 388, 393
CPC F24F 1/00; F24F 1/0007; F24F 1/02; F24F
1/08; F24F 1/42; F24F 1/56; F24F 1/60;
F24F 3/044; F24F 3/048; F24F 3/16;
F24F 7/00; F24F 7/04; F24F 12/001;
F24F 12/006

See application file for complete search history.

(56) **References Cited**

U.S. PATENT DOCUMENTS

| | | | |
|---------------|---------|--------------------|---------------------------|
| 3,372,870 A | 3/1968 | Norris et al. | |
| D219,450 S * | 12/1970 | Ortega et al. | D23/351 |
| 3,716,097 A | 2/1973 | Kelp et al. | |
| 3,722,845 A * | 3/1973 | Unger | F24F 1/0003 248/346.03 |
| D230,153 S * | 1/1974 | Hoyle et al. | D23/351 |
| 4,129,013 A | 12/1978 | Hine, Jr. | |
| 4,321,803 A | 3/1982 | Smith | |
| 4,474,232 A | 10/1984 | Wright et al. | |
| 4,665,806 A | 5/1987 | Martin | |
| 4,698,982 A | 10/1987 | Laios et al. | |
| 4,748,827 A | 6/1988 | Chang | |
| 5,062,280 A | 11/1991 | Martin | |
| 5,097,678 A | 3/1992 | Aubuchon | |

| | | | |
|--------------|---------|----------------------|---------|
| 5,121,613 A | 6/1992 | Cox et al. | |
| 5,143,178 A | 9/1992 | Latham, Jr. | |
| 5,203,400 A | 4/1993 | Tsunekawa et al. | |
| 5,207,074 A | 5/1993 | Cox et al. | |
| 5,284,027 A | 2/1994 | Martin | |
| D353,883 S * | 12/1994 | Blanchard | D23/351 |
| D357,309 S | 4/1995 | Norris | |
| 5,501,269 A | 3/1996 | Jenkins | |
| 5,613,554 A | 3/1997 | Bull et al. | |
| 5,664,431 A | 9/1997 | Martin | |
| 5,699,854 A | 12/1997 | Hong | |
| 5,791,156 A | 8/1998 | Strautman et al. | |
| 5,961,093 A | 10/1999 | Jones et al. | |
| 5,987,909 A | 11/1999 | Martin | |
| 6,050,539 A | 4/2000 | Millen | |
| 6,138,993 A | 10/2000 | Mitchell, Jr. et al. | |
| D434,480 S | 11/2000 | Caronna et al. | |
| 6,276,443 B1 | 8/2001 | Martin | |
| 6,378,320 B1 | 4/2002 | Matambo | |
| 6,519,966 B1 | 2/2003 | Martin | |
| D529,157 S * | 9/2006 | Tice | D23/351 |
| D534,260 S | 12/2006 | David et al. | |

(Continued)

Primary Examiner — George D. Kirschbaum

Assistant Examiner — Natasha Vujcic

(74) *Attorney, Agent, or Firm* — Guy McClung

(57) **CLAIM**

The ornamental design for air processor, as shown and described.

DESCRIPTION

FIG. 1 is a perspective view of an air processor showing my new design.

FIG. 2 is a front view thereof;

FIG. 3 is a top view thereof;

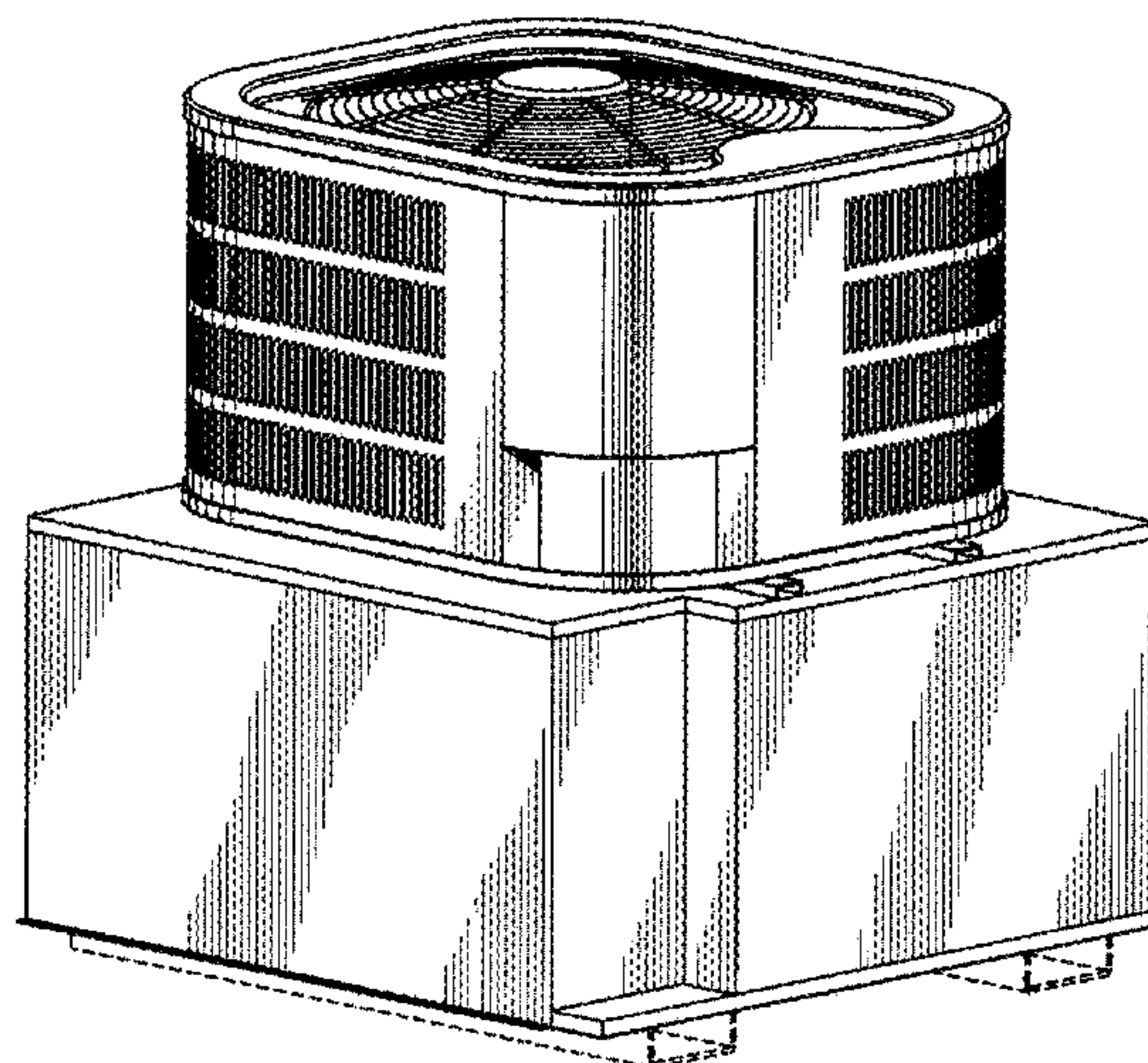
FIG. 4 is a left side view thereof;

FIG. 5 is a right side view thereof;

FIG. 6 is a rear view thereof; and,

FIG. 7 is a bottom view thereof.

1 Claim, 4 Drawing Sheets



(56)

References Cited

U.S. PATENT DOCUMENTS

D534,630 S * 1/2007 David D23/351
D534,635 S 1/2007 David et al.
D534,636 S * 1/2007 David D23/351
D553,725 S * 10/2007 Shimizu D23/351
D557,394 S 12/2007 Martin
D557,395 S 12/2007 Martin
D603,495 S * 11/2009 Sata D23/351
D603,948 S * 11/2009 Ishihara D23/351
D629,091 S * 12/2010 Maezawa D23/351
D683,002 S 5/2013 Martin
D755,942 S * 5/2016 Kim D23/364
2002/0139518 A1 10/2002 Lee et al.
2005/0039479 A1 2/2005 Kim
2005/0204767 A1 9/2005 Norrell et al.
2007/0051864 A1 3/2007 Bartell et al.

* cited by examiner

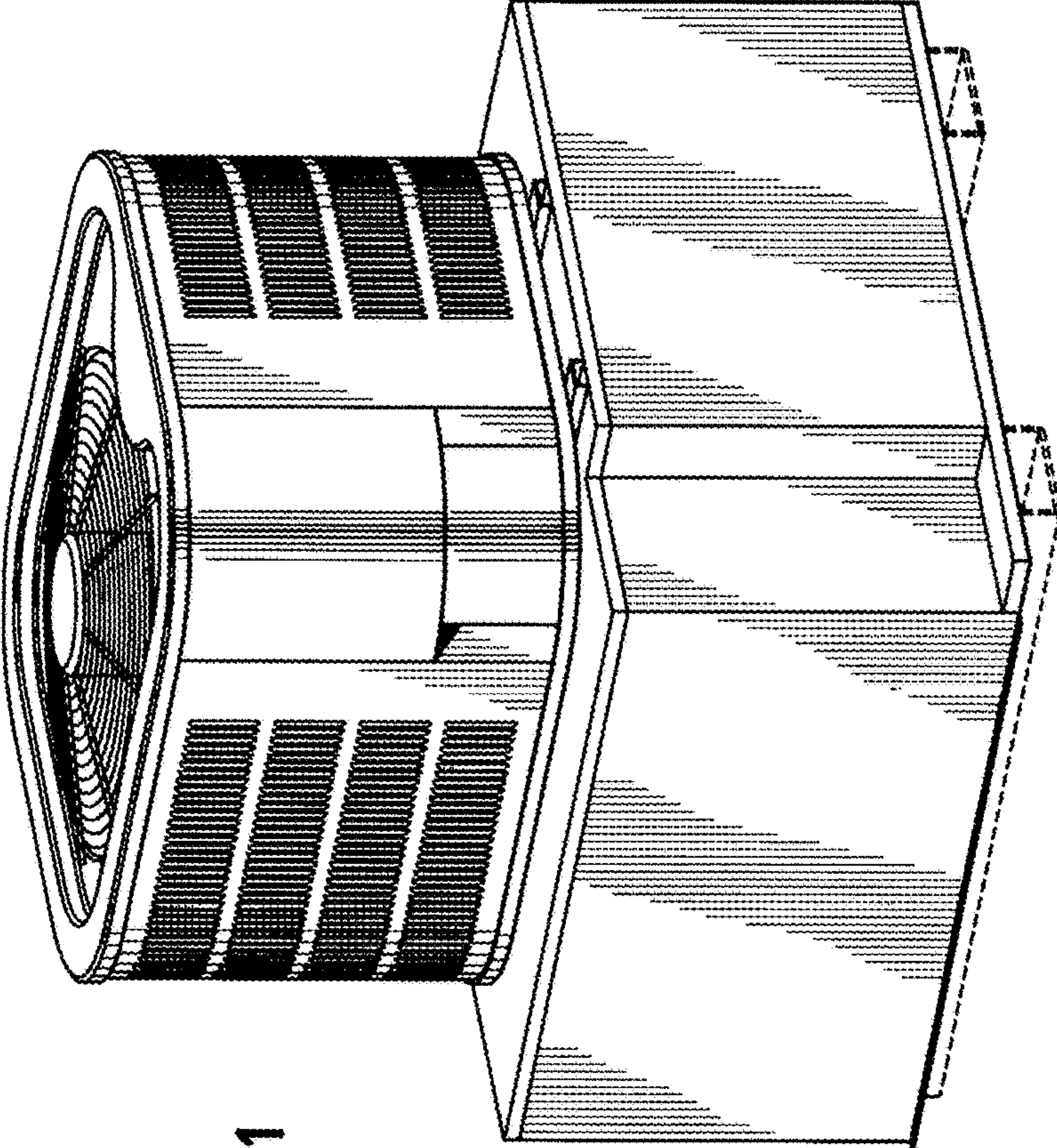


FIG. 1

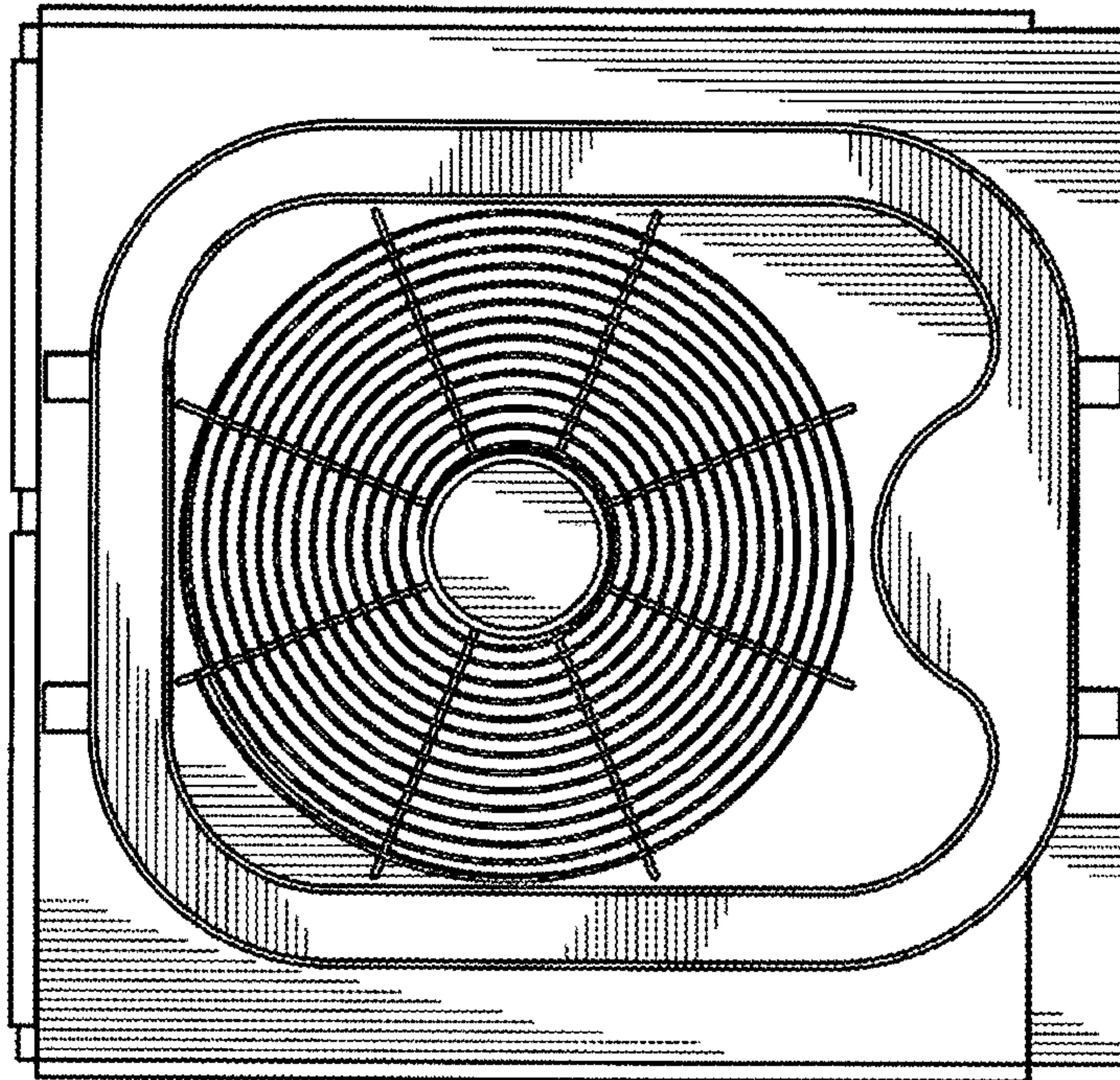


FIG. 3

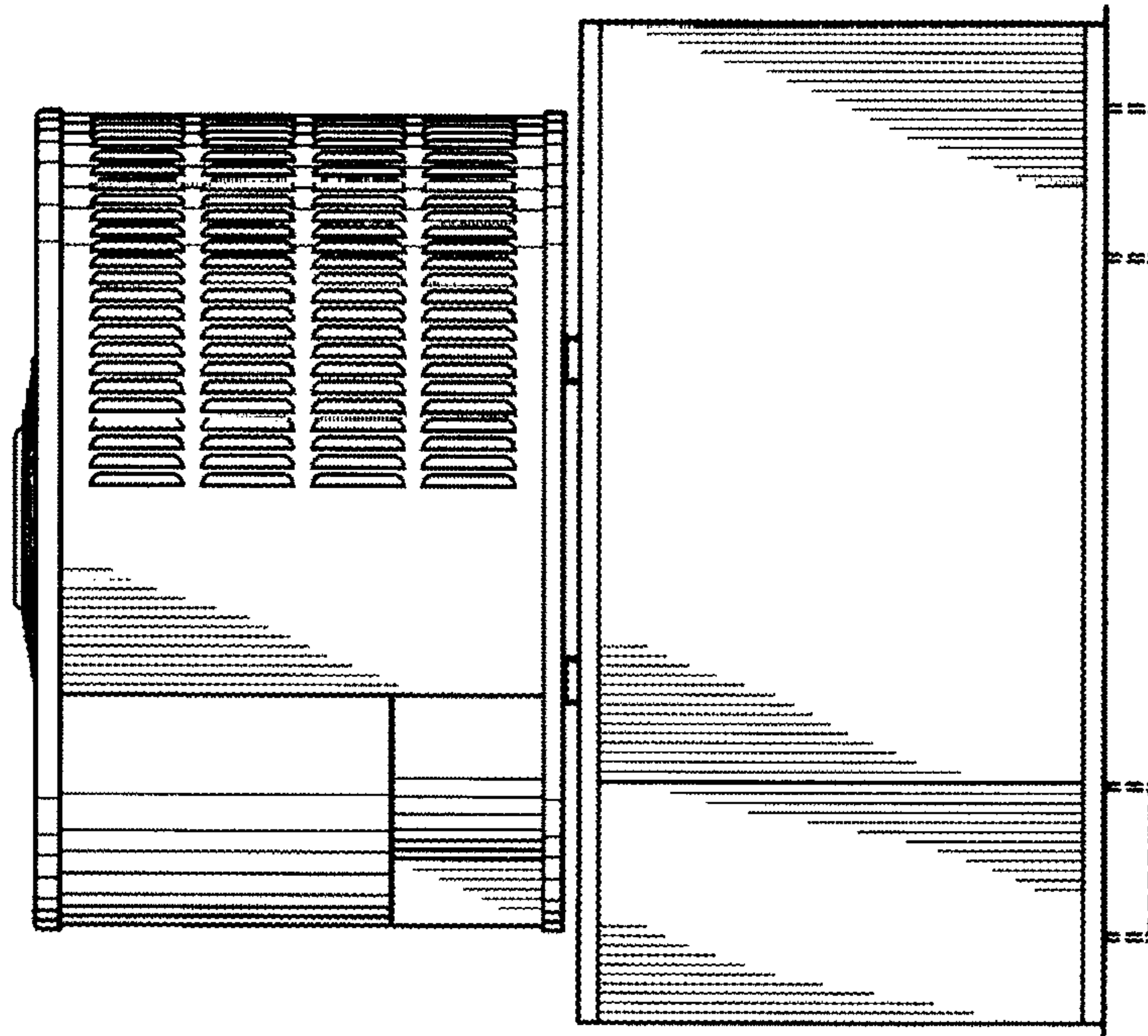


FIG. 2

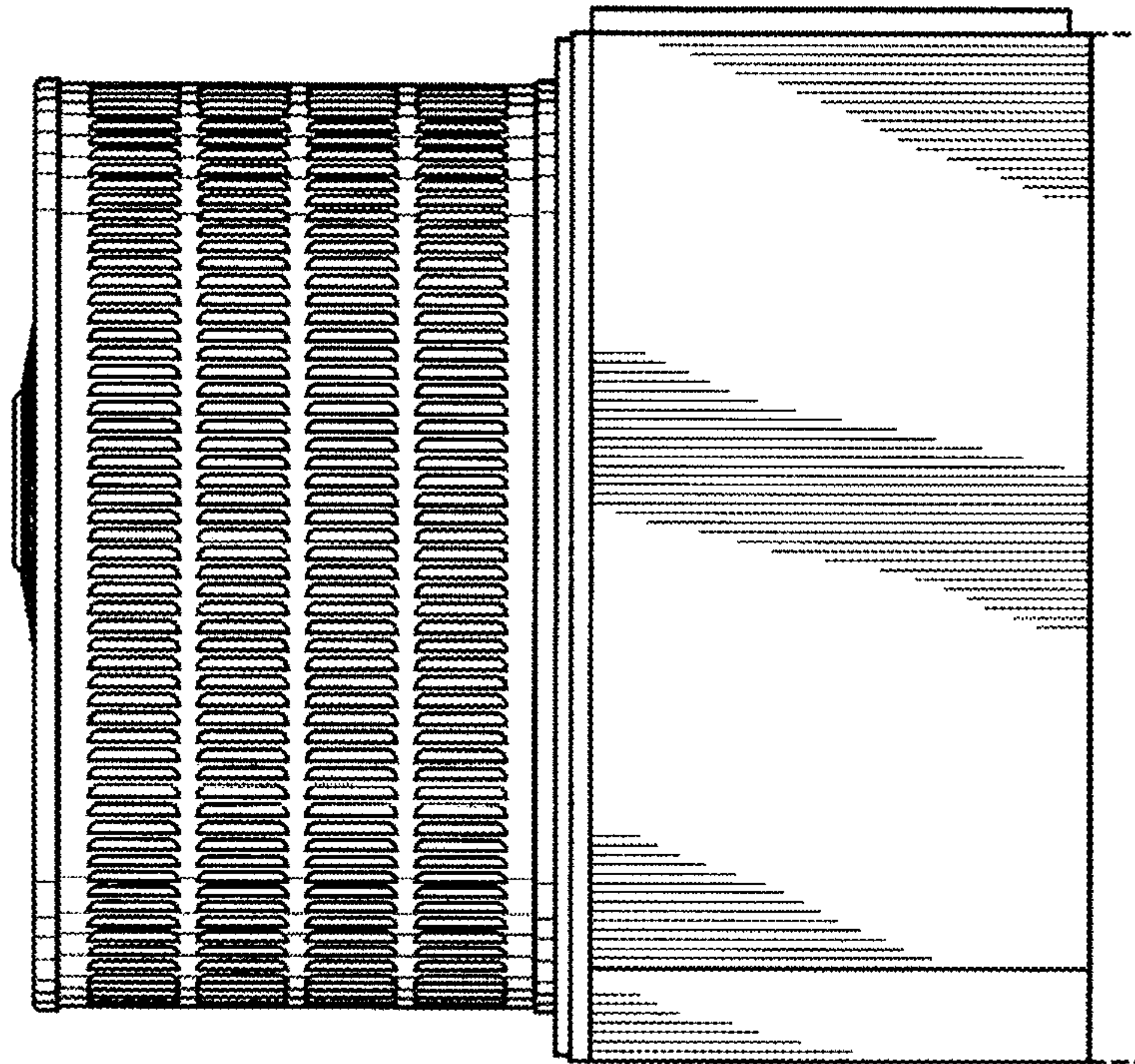


FIG. 4

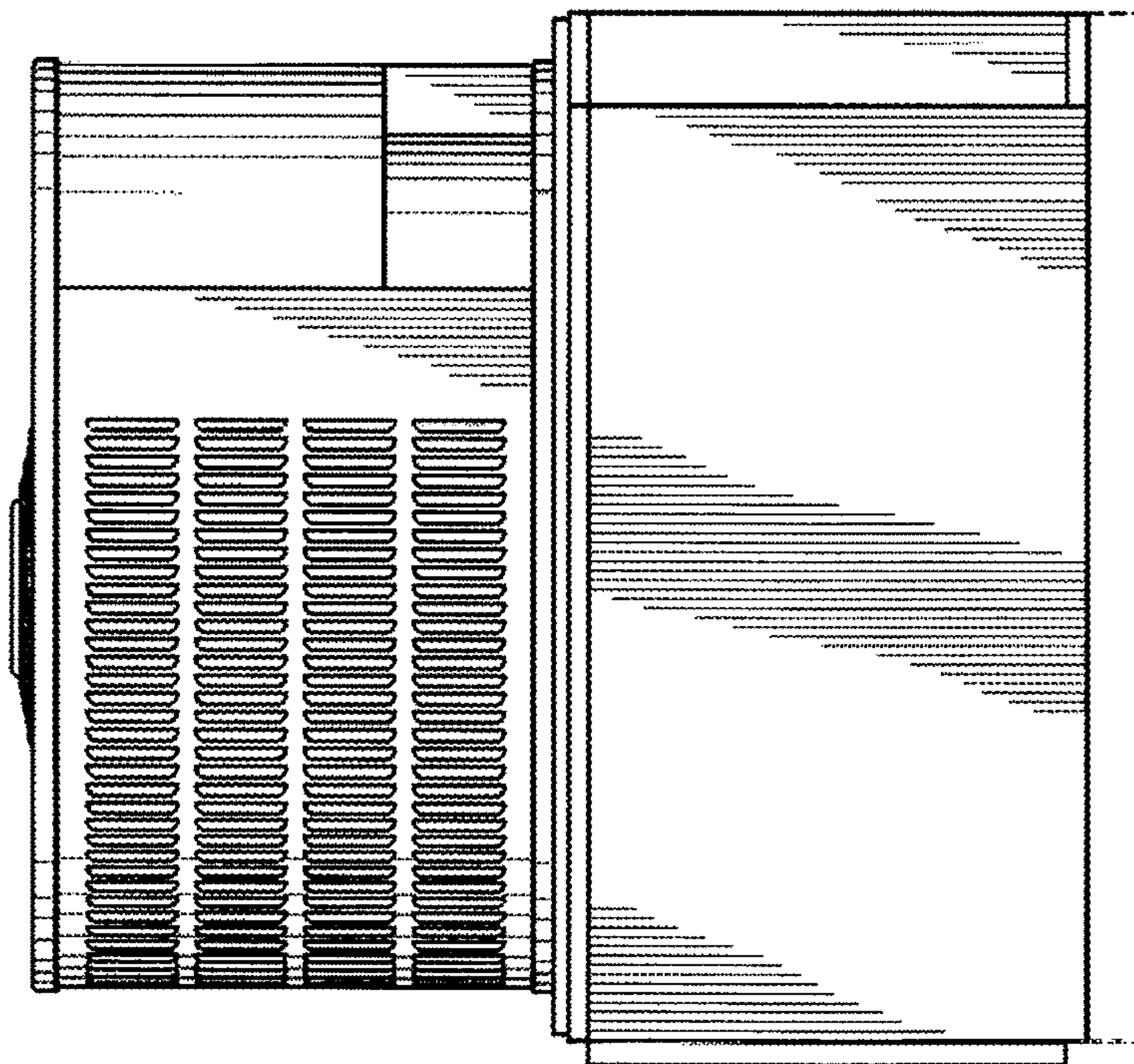


FIG. 5

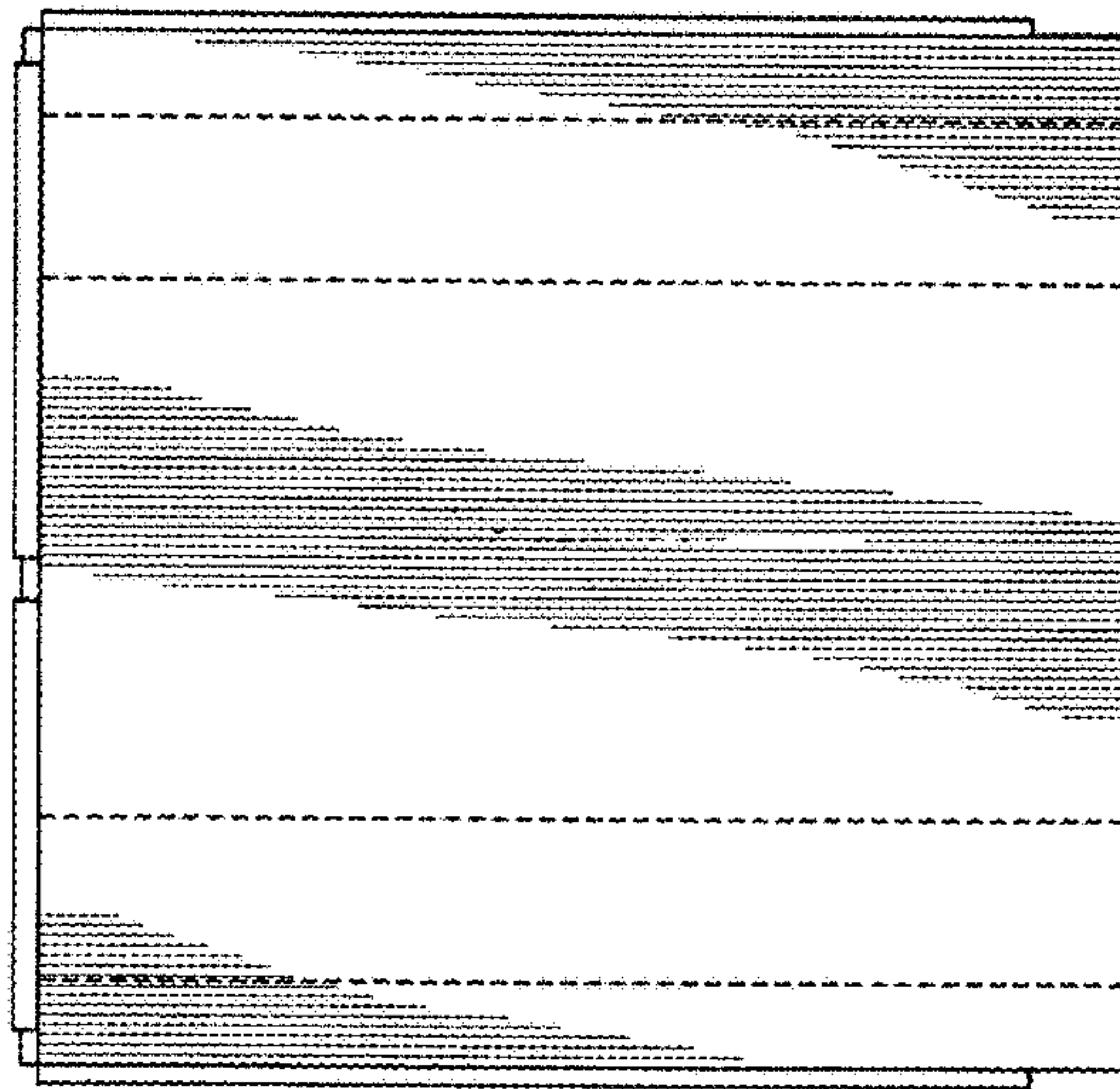


FIG. 7

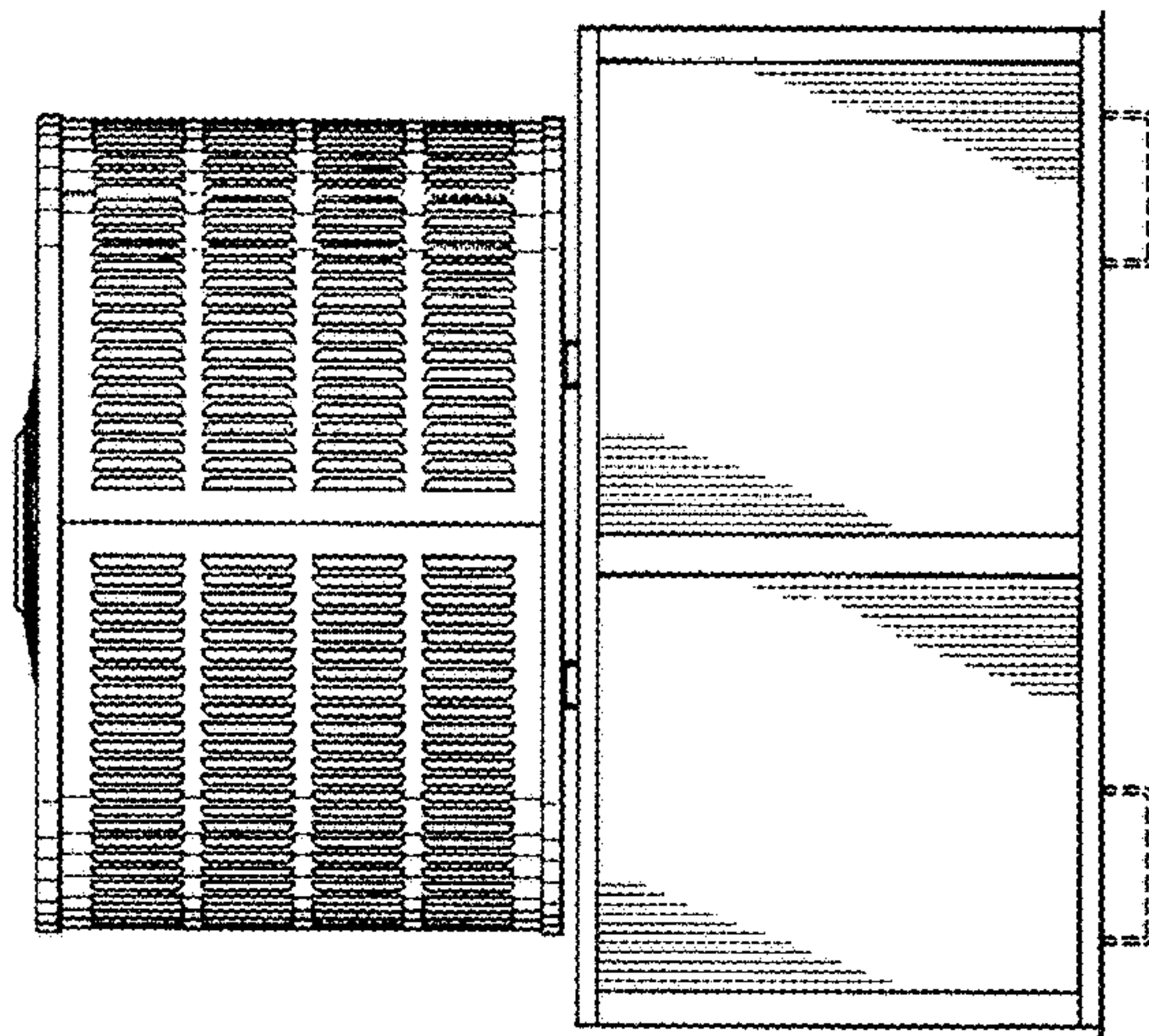


FIG. 6