



US00D786410S

(12) **United States Design Patent** (10) **Patent No.:** **US D786,410 S**
Kerr (45) **Date of Patent:** **** May 9, 2017**

(54) **FLATPACK DOWNSPOUT**
(71) Applicant: **Daniel Allen Kerr**, Vancouver, WA (US)
(72) Inventor: **Daniel Allen Kerr**, Vancouver, WA (US)
(**) Term: **15 Years**
(21) Appl. No.: **29/547,876**
(22) Filed: **Dec. 8, 2015**
(51) **LOC (10) Cl.** **23-01**
(52) **U.S. Cl.**
USPC **D23/267**
(58) **Field of Classification Search**
USPC D23/259-268, 393; D25/119, 123-125, D25/141
CPC E04B 1/3404; E04B 1/7069; E04D 2013/0833; E04D 2013/082; E04D 2013/0866; E04D 2013/086; E04D 13/076; E04D 13/0722; E04D 13/0725; E04D 13/08
See application file for complete search history.

(56) **References Cited**
U.S. PATENT DOCUMENTS
D260,422 S * 8/1981 Husted D23/209
D288,230 S * 2/1987 Thatcher D23/263
5,588,261 A * 12/1996 MacConochie E04D 13/076
52/11

D475,440 S * 6/2003 Sawyer D23/267
D501,547 S * 2/2005 Stout, Jr. D23/393
D589,599 S * 3/2009 Castrillo D23/267
D596,273 S * 7/2009 Porter D23/267
7,895,793 B1 * 3/2011 Yates E04D 13/0645
52/11
D726,888 S * 4/2015 Johansen D23/267
D732,147 S * 6/2015 French D23/267
D743,512 S * 11/2015 Waggoner D23/267
D744,073 S * 11/2015 Waggoner D23/267
D752,190 S * 3/2016 DeNooy D23/267

* cited by examiner

Primary Examiner — Eric Goodman

Assistant Examiner — Amy Wierenga

(74) *Attorney, Agent, or Firm* — Mark S Hubert

(57) **CLAIM**

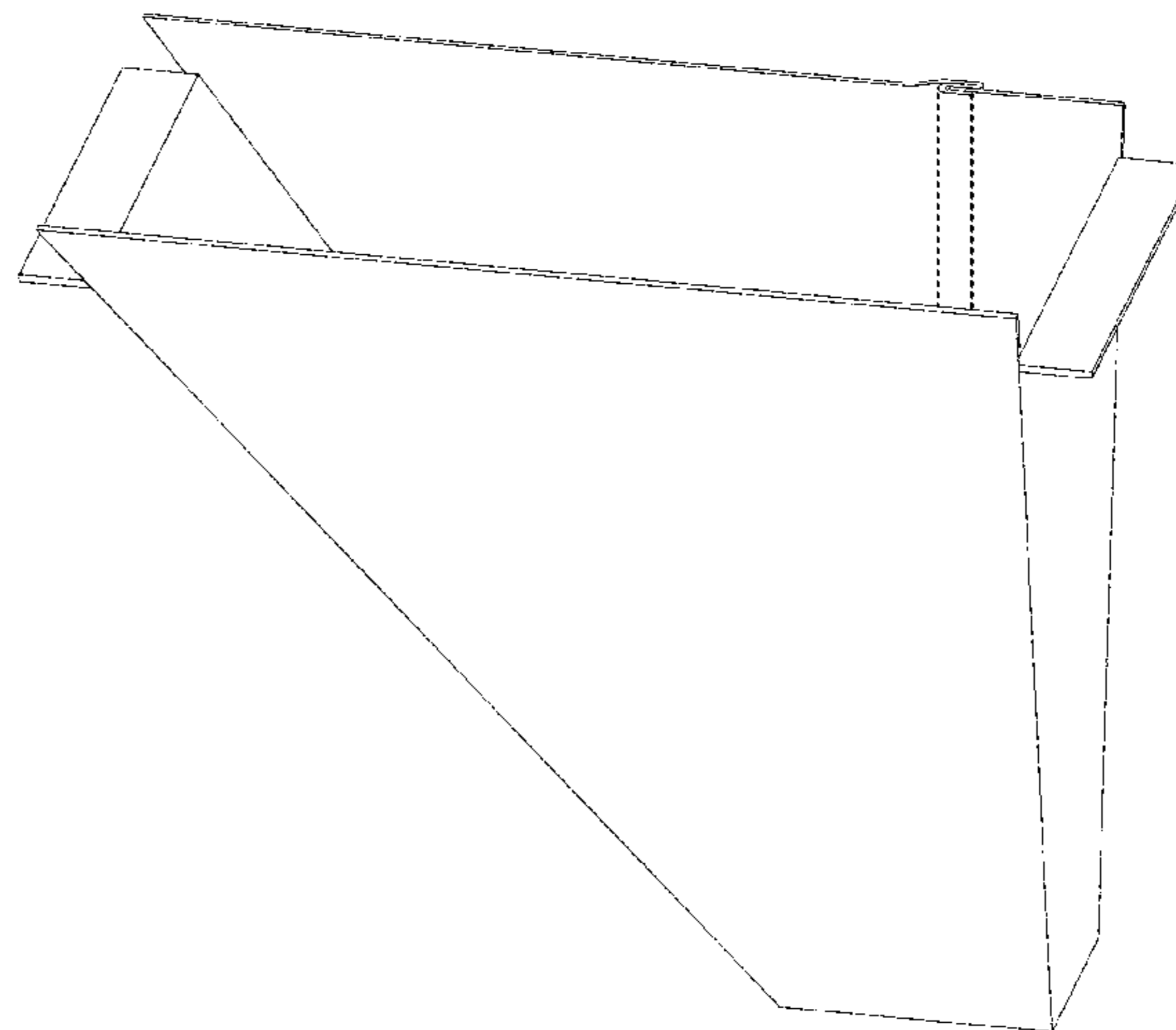
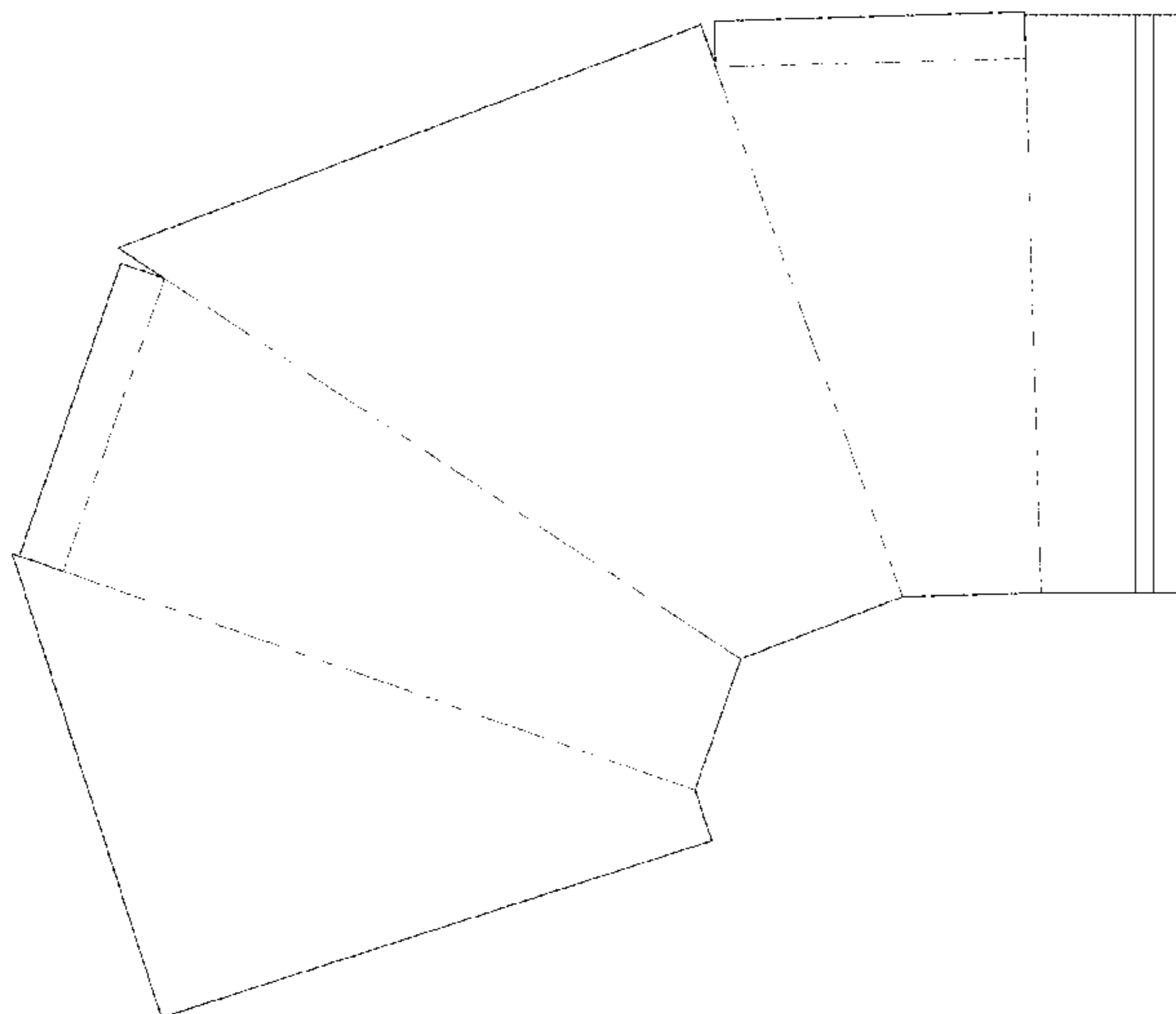
I claim the ornamental design for the flatpack downspout, as shown and described.

DESCRIPTION

FIG. 1 is a rear view of the flatpack downspout;
FIG. 2 is a top view of the flatpack downspout;
FIG. 3 is a bottom view of the flatpack downspout;
FIG. 4 is a front view of the flatpack downspout;
FIG. 5 is a right side view of the flatpack downspout;
FIG. 6 is a left side view of the flatpack downspout; and,
FIG. 7 is a perspective view of the assembled flatpack downspout showing my new design.

The broken lines in the drawings represent creases in the flatpack downspout that form no part of the claim.

1 Claim, 4 Drawing Sheets



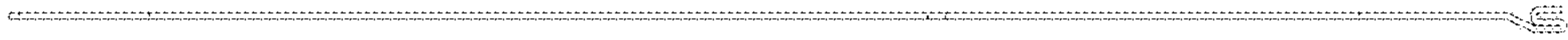


FIG. 1

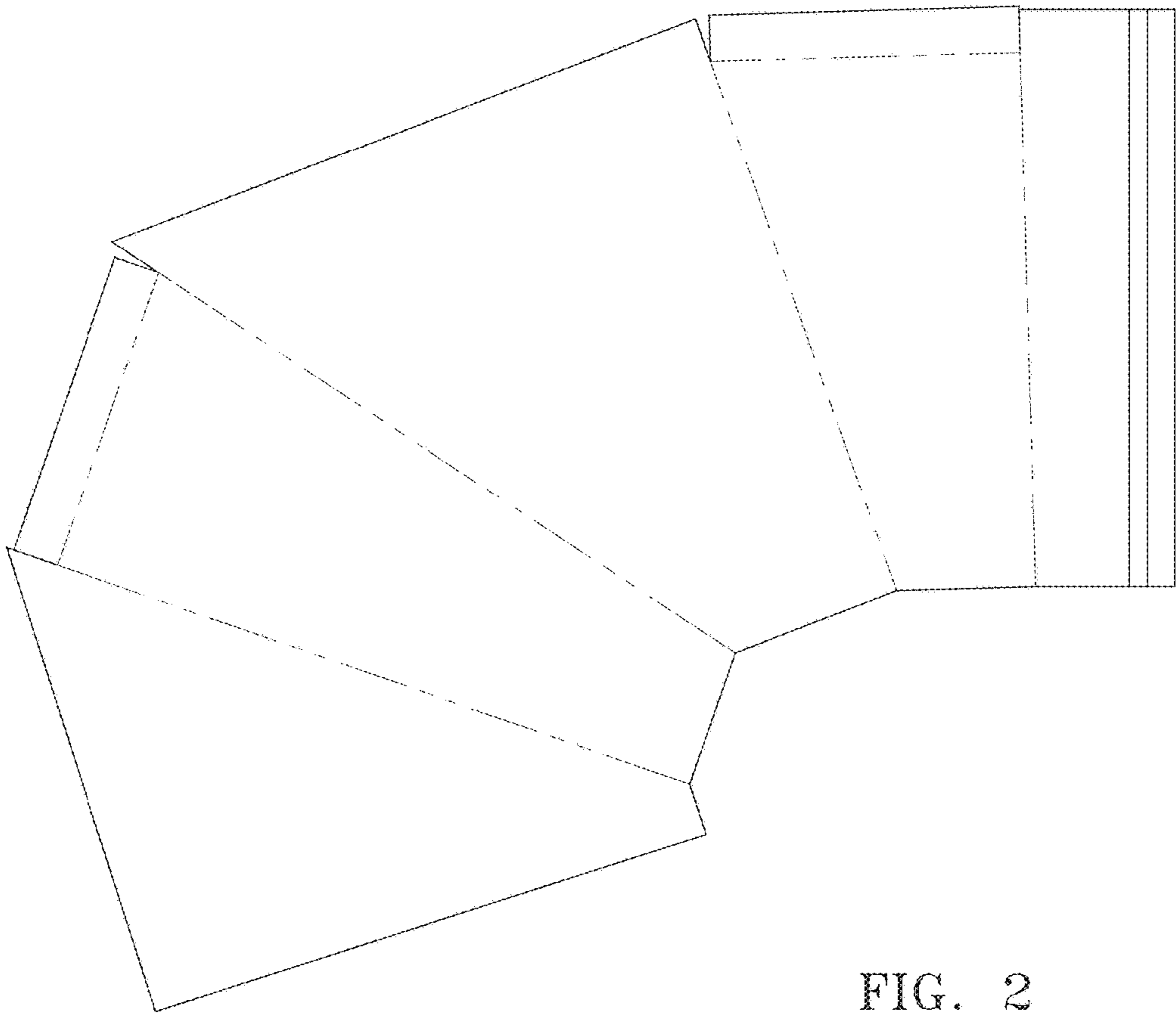


FIG. 2

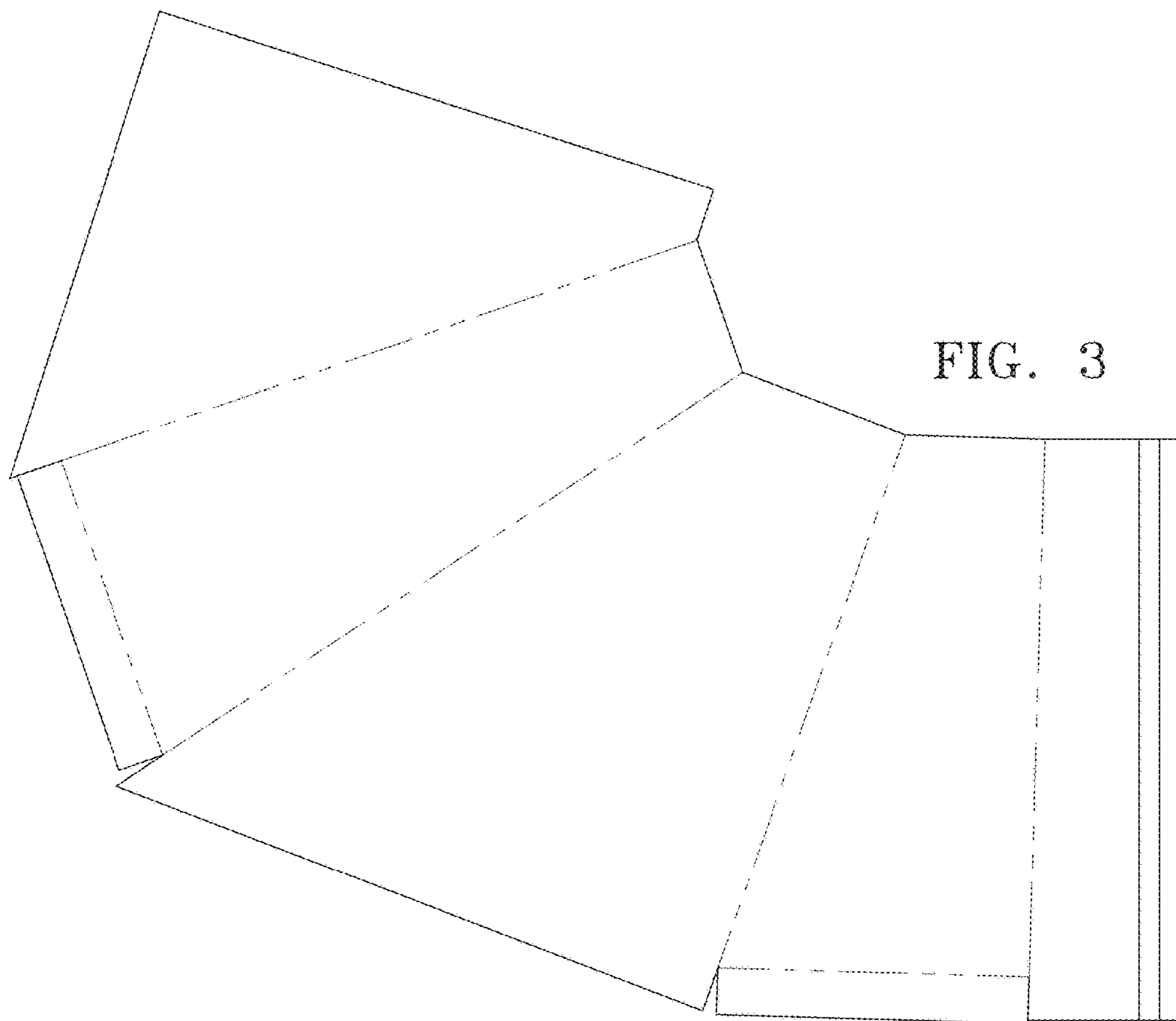


FIG. 3

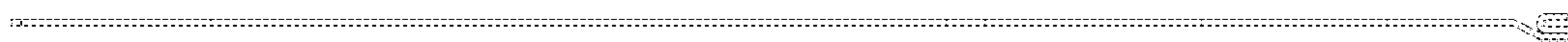
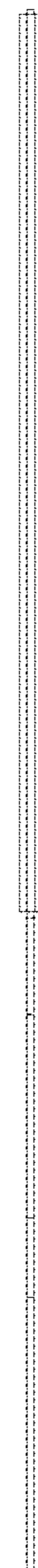


FIG. 4

FIG. 5



FIG. 6



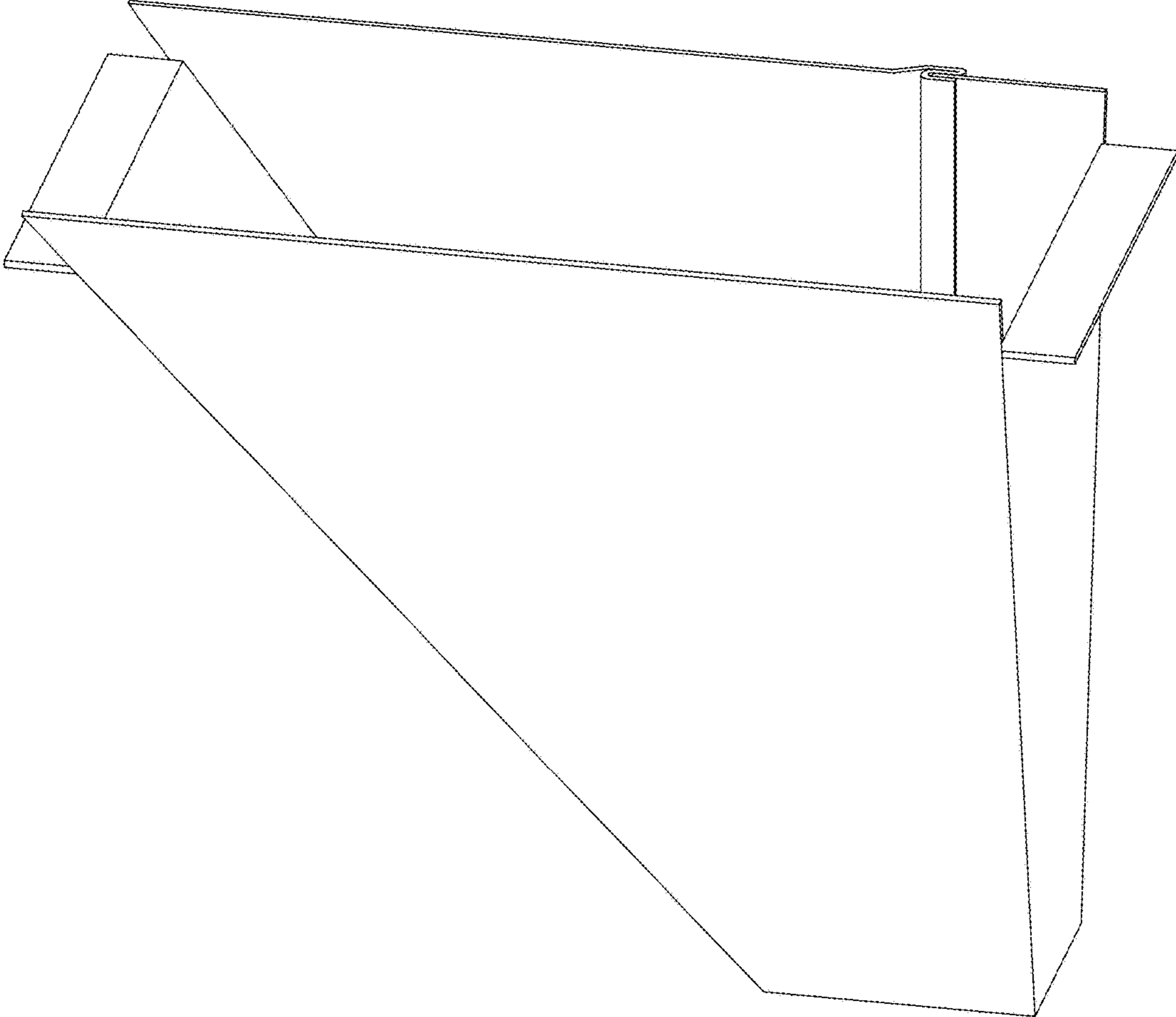


FIG. 7