



US00D786407S

(12) **United States Design Patent** (10) **Patent No.:** **US D786,407 S**
Clarke et al. (45) **Date of Patent:** **** May 9, 2017**

(54) **FAUCET HANDLE**
(71) Applicant: **Kohler Co.**, Kohler, WI (US)
(72) Inventors: **Gary N. Clarke**, Sheboygan, WI (US);
Brian M. Kaule, Yardley, PA (US)
(73) Assignee: **KOHLER CO.**, Kohler, WI (US)
(**) Term: **15 Years**
(21) Appl. No.: **29/542,967**
(22) Filed: **Oct. 20, 2015**
(51) **LOC (10) Cl.** **23-01**
(52) **U.S. Cl.**
USPC **D23/252**
(58) **Field of Classification Search**
USPC D23/238–240, 249–250, 252, 255, 257;
D8/300, 305, 307–308
CPC E03C 1/04; E03C 1/0401; E03C 1/0402;
E03C 1/0404; F16K 31/602; F16K
31/605; F16K 31/607
See application file for complete search history.

(56) **References Cited**
U.S. PATENT DOCUMENTS
D346,205 S * 4/1994 Sauter D23/252
D407,144 S * 3/1999 Formgren D23/252
D444,860 S 7/2001 Slothower
D532,486 S * 11/2006 Barry D23/252
D535,359 S * 1/2007 Koury D23/238
D570,449 S * 6/2008 Lee D23/238
D571,897 S * 6/2008 Hanna D23/250

D583,021 S * 12/2008 Downey D23/250
D622,819 S 8/2010 Tippens et al.
D630,712 S 1/2011 Tippens et al.
D683,428 S 5/2013 Kwok
D683,821 S * 6/2013 Reuter D23/238
D704,027 S * 5/2014 Trunek D8/308
D713,508 S * 9/2014 Downey D23/238
D717,401 S 11/2014 Fritz
D721,164 S * 1/2015 Georgeson D23/252

* cited by examiner

Primary Examiner — Robert Delehanty
(74) *Attorney, Agent, or Firm* — Foley & Lardner LLP

(57) **CLAIM**

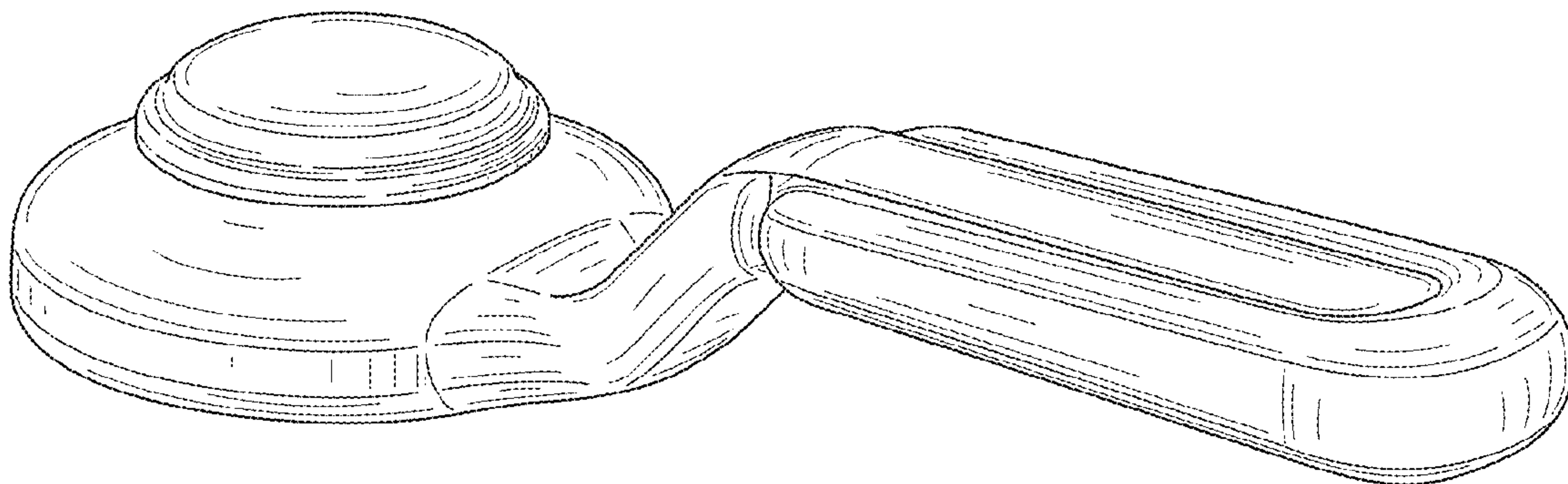
We claim the ornamental design for a faucet handle, as shown and described.

DESCRIPTION

FIG. 1 is a top, front, left perspective view of an embodiment of the claimed design;
FIG. 2 is a front elevation view thereof;
FIG. 3 is a rear elevation view thereof;
FIG. 4 is a right side elevation view thereof;
FIG. 5 is a left side elevation view thereof;
FIG. 6 is a top plan view thereof; and,
FIG. 7 is a bottom plan view thereof.

The ornamental design which is claimed is shown in solid lines in the drawings. The broken lines in the drawings form no part of the claimed design. Broken lines formed by equal length dashes show unclaimed subject matter.

1 Claim, 7 Drawing Sheets



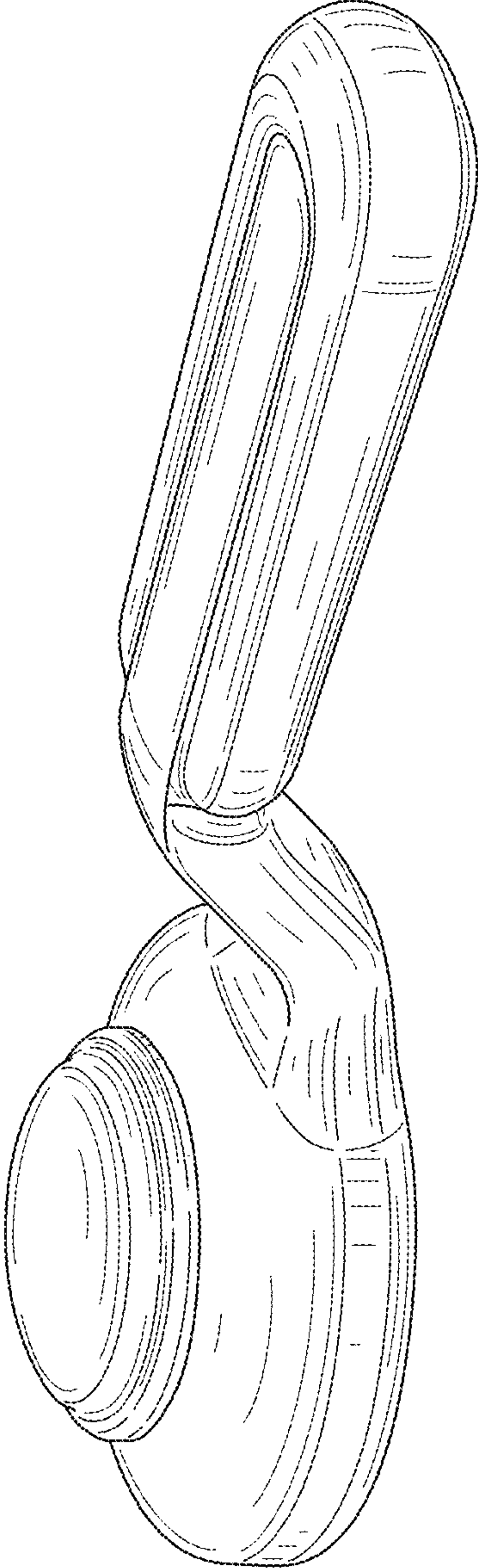


FIG. 1

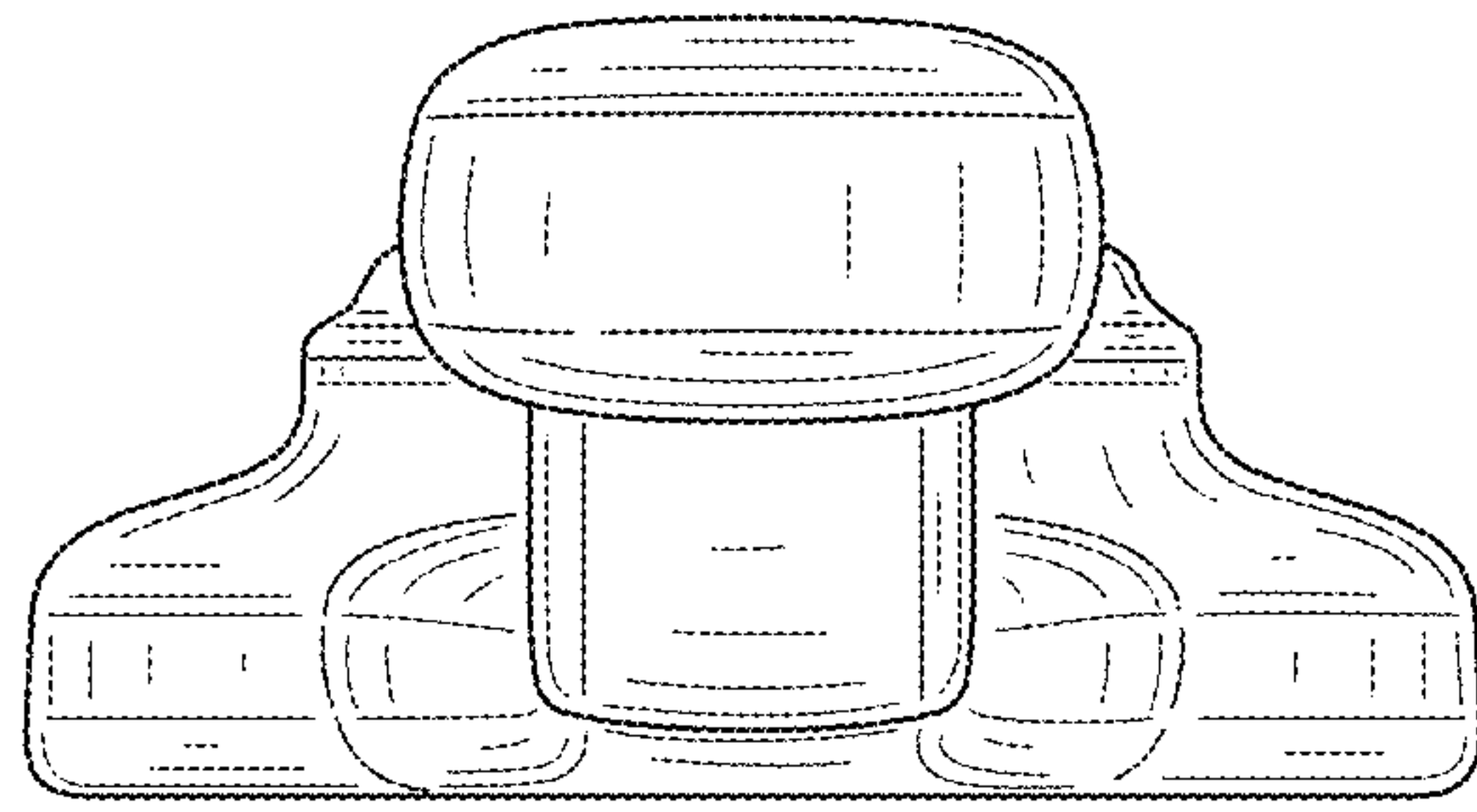


FIG. 2

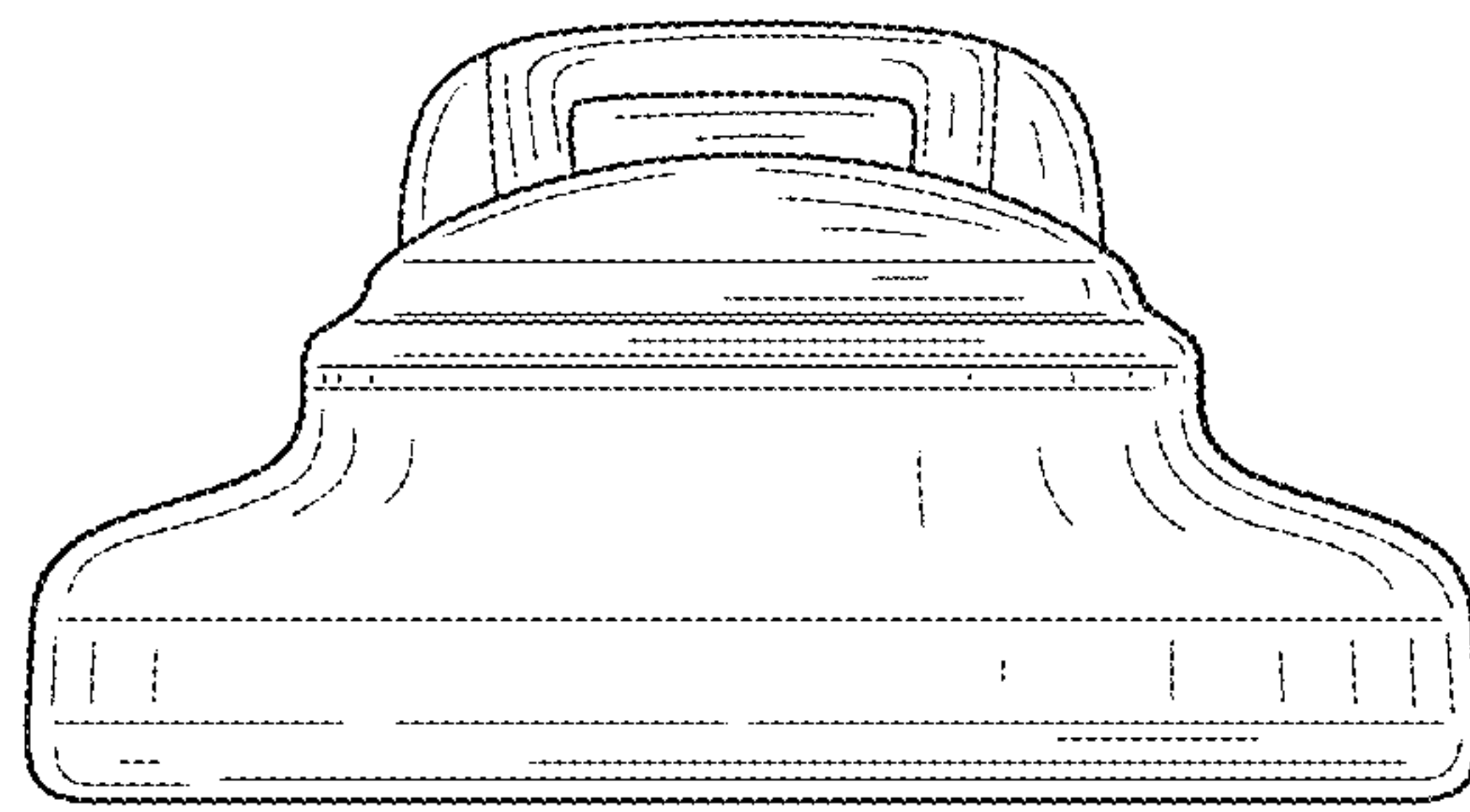


FIG. 3

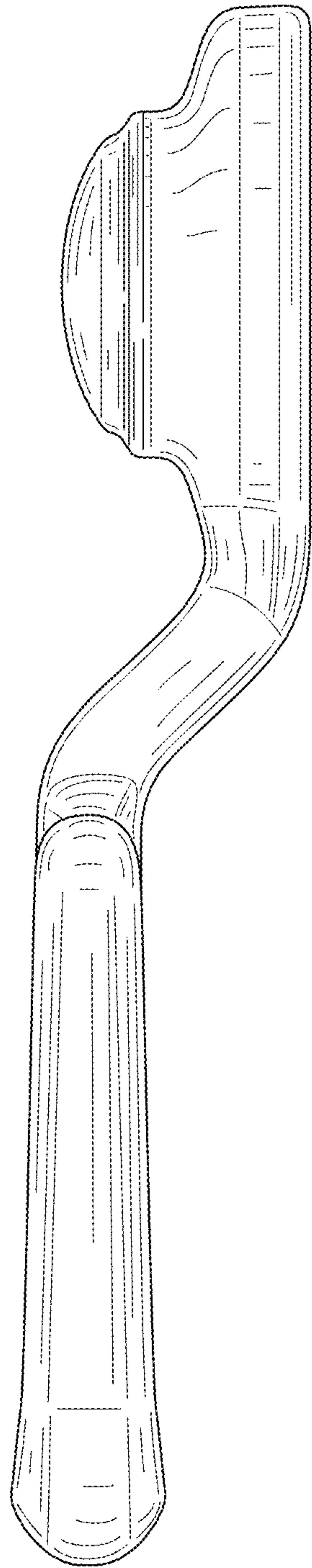


FIG. 4

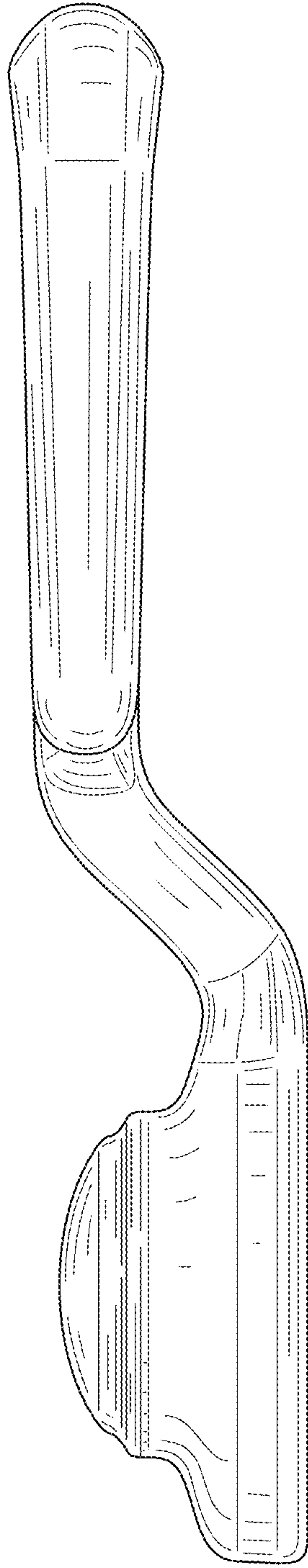


FIG. 5

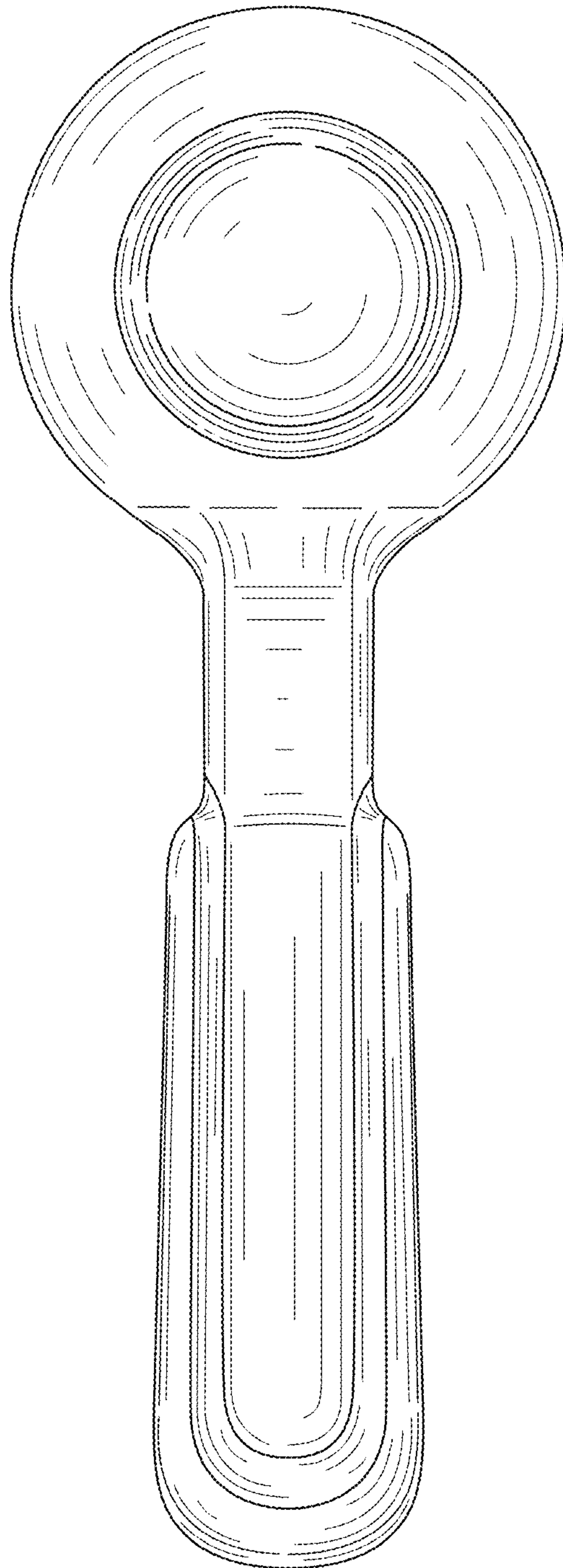


FIG. 6

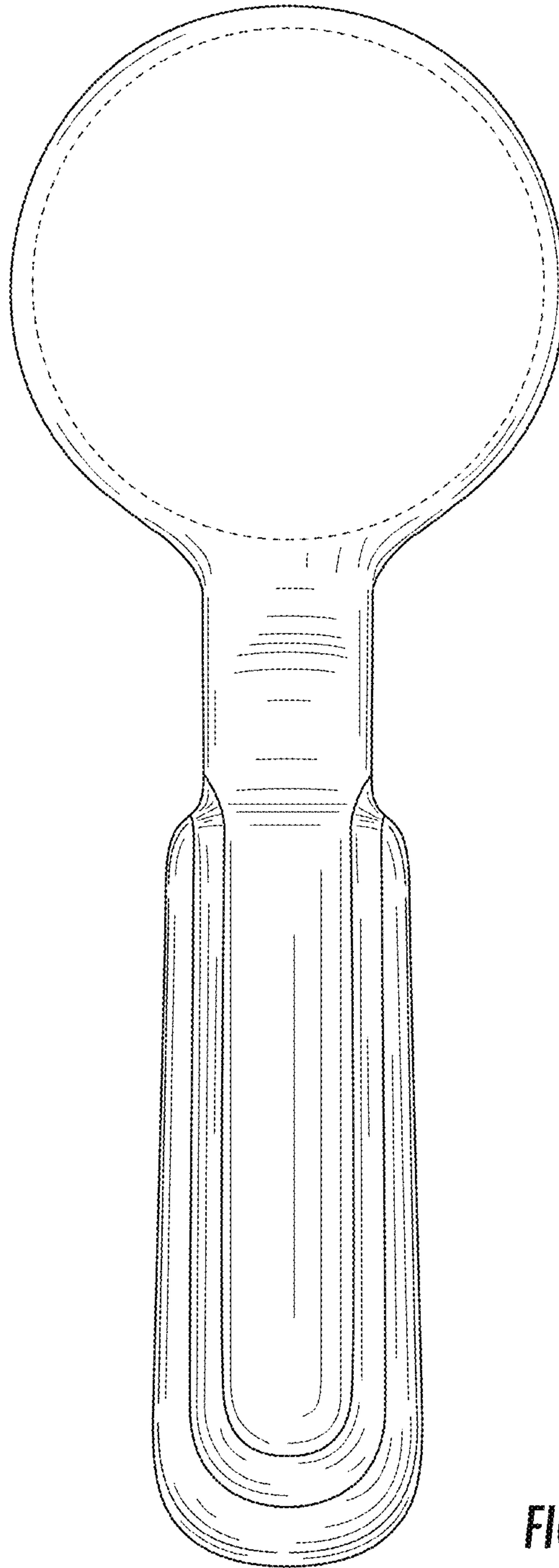


FIG. 7