



US00D786406S

(12) **United States Design Patent** (10) **Patent No.:** **US D786,406 S**
Schoenherr et al. (45) **Date of Patent:** **** May 9, 2017**

(54) **WASH BASIN CONTROL ELEMENT**

(56) **References Cited**

(71) Applicant: **HANSGROHE SE**, Schiltach (DE)

U.S. PATENT DOCUMENTS

(72) Inventors: **Tom Schoenherr**, Stuttgart (DE);
Andreas Diefenbach,
Ludwigsburg-Oßweil (DE); **Yunwei
Zhu**, Stuttgart (DE)

D597,632 S *	8/2009	Obara	D23/250
D613,825 S *	4/2010	Ishikawa	D23/254
D621,007 S *	8/2010	Bardsley	D23/254
D652,898 S *	1/2012	Flowers	D23/252
D655,786 S *	3/2012	Fukasawa	D23/242
D764,028 S *	8/2016	Schoenherr	D23/254
D774,169 S *	12/2016	Kington	D23/254

(73) Assignee: **Hansgrohe SE**, Schiltach (DE)

* cited by examiner

(**) Term: **15 Years**

Primary Examiner — Robert Delehanty

(21) Appl. No.: **29/559,988**

(74) *Attorney, Agent, or Firm* — Lora J. Graentzdoerffer

(22) Filed: **Apr. 1, 2016**

(30) **Foreign Application Priority Data**

(57) **CLAIM**

Oct. 6, 2015 (EM) 002811992

The ornamental design for a wash basin control element, as shown and described.

(51) **LOC (10) Cl.** **23-01**

DESCRIPTION

(52) **U.S. Cl.**

USPC **D23/250**

(58) **Field of Classification Search**

USPC D23/238–243, 249–250, 252, 254

CPC E03C 1/04; E03C 1/0401; E03C 1/0402;

E03C 1/0404

FIG. 1 is a perspective view of a wash basin control element showing our design; and, FIG. 2 is a top plan view.

See application file for complete search history.

1 Claim, 2 Drawing Sheets

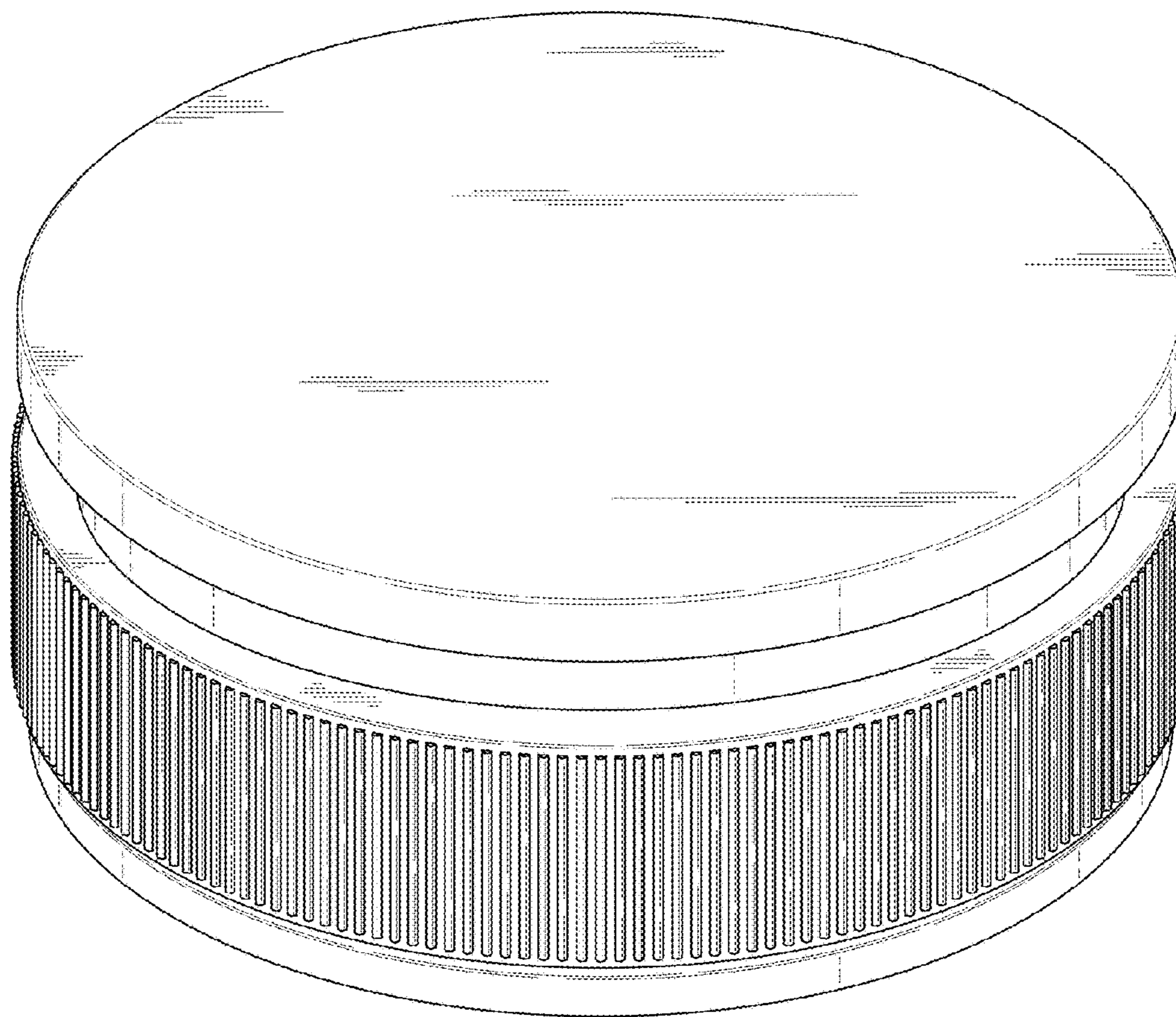


FIG. 1

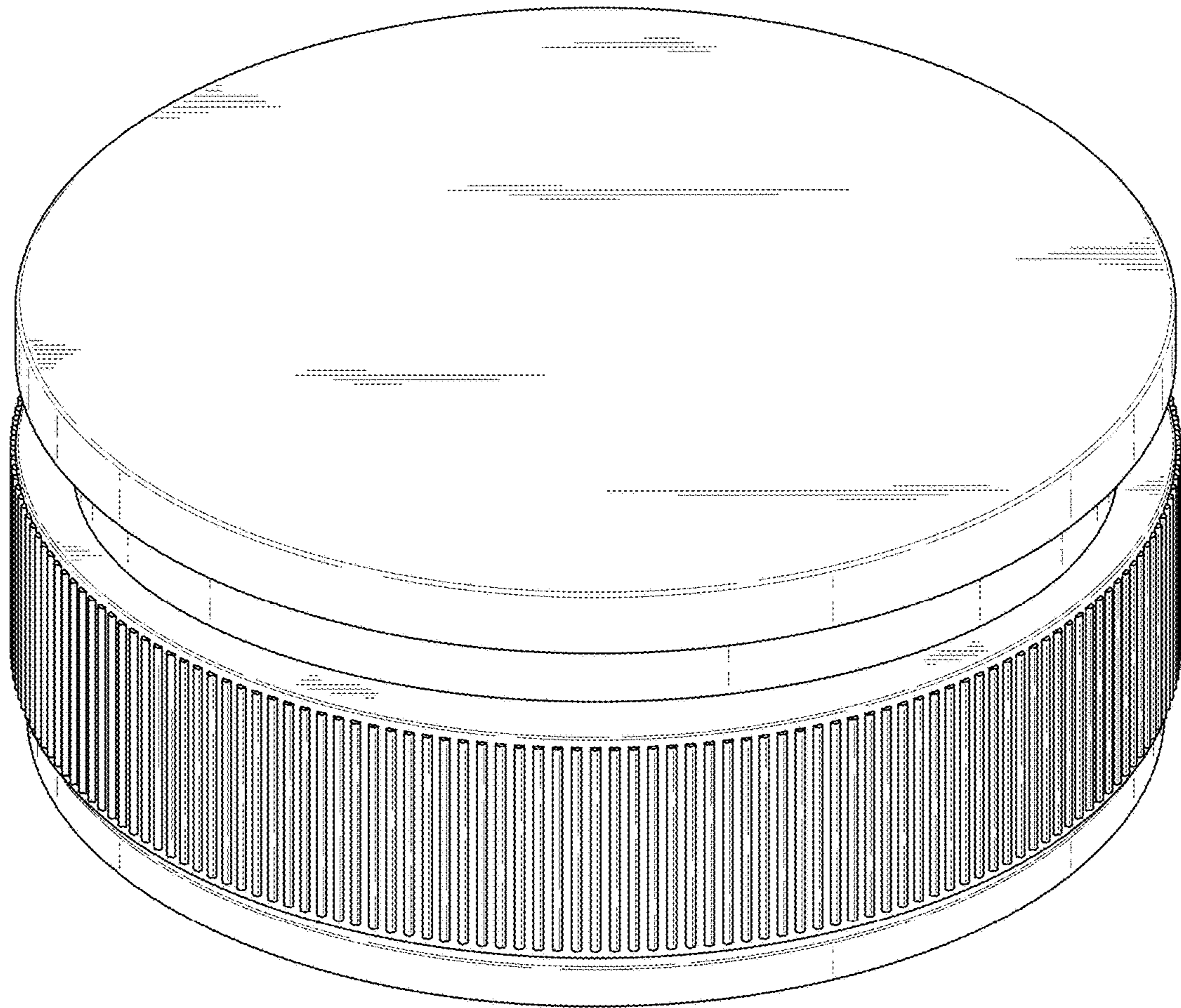


FIG. 2

