



US00D786404S

(12) **United States Design Patent** (10) **Patent No.:** **US D786,404 S**  
**Kaule et al.** (45) **Date of Patent:** **\*\* May 9, 2017**

(54) **FAUCET**

(71) Applicant: **Kohler Co.**, Kohler, WI (US)

(72) Inventors: **Brian M. Kaule**, Yardley, PA (US);  
**Anna-Pia K. Slothower**, Mill Valley, CA (US)

(73) Assignee: **KOHLER CO.**, Kohler, WI (US)

(\*\*) Term: **15 Years**

(21) Appl. No.: **29/540,213**

(22) Filed: **Sep. 22, 2015**

(51) **LOC (10) Cl.** ..... **23-01**

(52) **U.S. Cl.**  
USPC ..... **D23/238**

(58) **Field of Classification Search**  
USPC ..... D23/238-240, 249-250, 252, 255, 257,  
D23/223, 226, 228  
CPC ..... E03C 1/04; E03C 1/0401; E03C 1/0402;  
E03C 1/0404; F16K 31/602; F16K  
31/605; F16K 31/607  
See application file for complete search history.

(56) **References Cited**

**U.S. PATENT DOCUMENTS**

D420,726 S *	2/2000	Slothower	.....	D23/257
D479,309 S *	9/2003	Haug	.....	D23/238
D513,526 S *	1/2006	Marshall	.....	D23/238
D532,486 S *	11/2006	Barry	.....	D23/252
D541,384 S *	4/2007	Citterio	.....	D23/249
D605,260 S *	12/2009	Allard	.....	D23/255

D651,284 S *	12/2011	Flowers	.....	D23/243
D698,903 S *	2/2014	Gilbert	.....	D23/249
D704,803 S *	5/2014	Hashimoto	.....	D23/238
D721,164 S *	1/2015	Georgeson	.....	D23/252
D767,726 S *	9/2016	Mazz	.....	D23/238

**OTHER PUBLICATIONS**

U.S. Appl. No. 29/536,259, filed Aug. 14, 2015, Kohler Co.

\* cited by examiner

*Primary Examiner* — Robert Delehanty

(74) *Attorney, Agent, or Firm* — Foley & Lardner LLP

(57) **CLAIM**

We claim the ornamental design for a faucet, as shown and described.

**DESCRIPTION**

FIG. 1 is a top, front, right perspective view of the claimed design;

FIG. 2 is a front elevation view thereof;

FIG. 3 is a rear elevation view thereof;

FIG. 4 is a right side elevation view thereof;

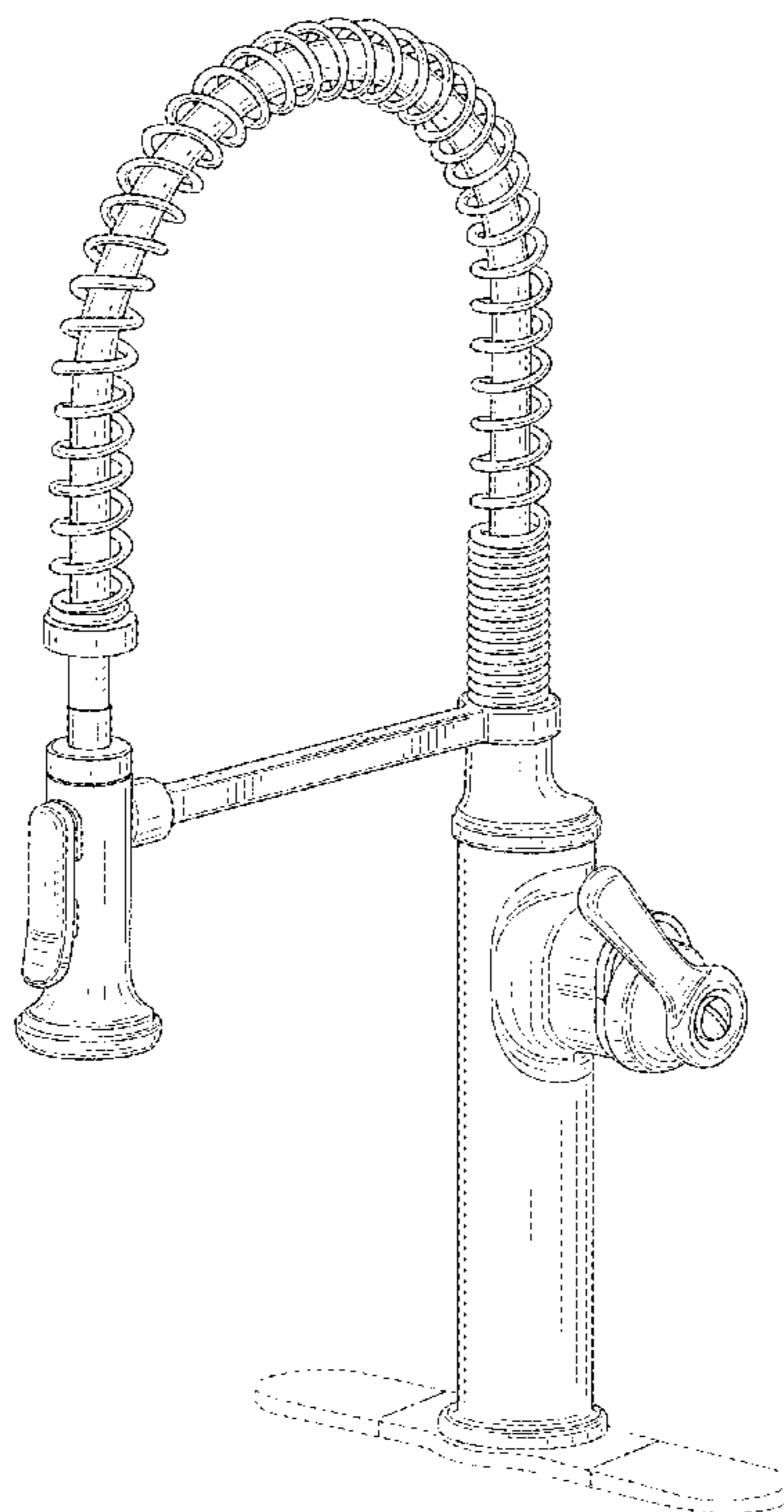
FIG. 5 is a left side elevation view thereof;

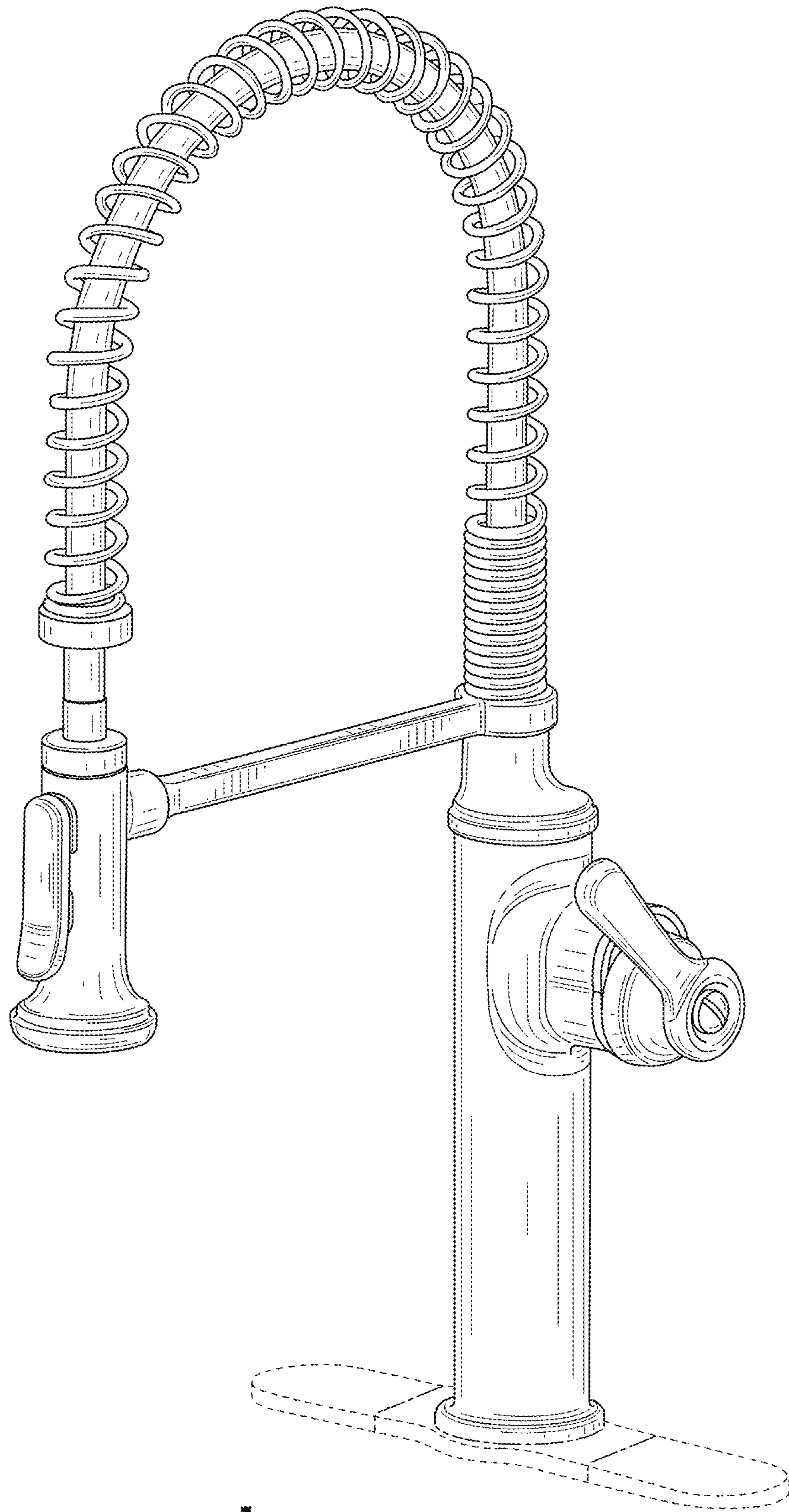
FIG. 6 is a top plan view thereof; and,

FIG. 7 is a bottom plan view thereof.

The ornamental design which is claimed is shown in solid lines in the drawings. The broken lines in the drawings form no part of the claimed design. Broken lines formed by equal length dashes show unclaimed subject matter. Broken lines formed of unequal length dashes (i.e., dash-dot) define bounds of the claimed design.

**1 Claim, 7 Drawing Sheets**





**FIG. 1**

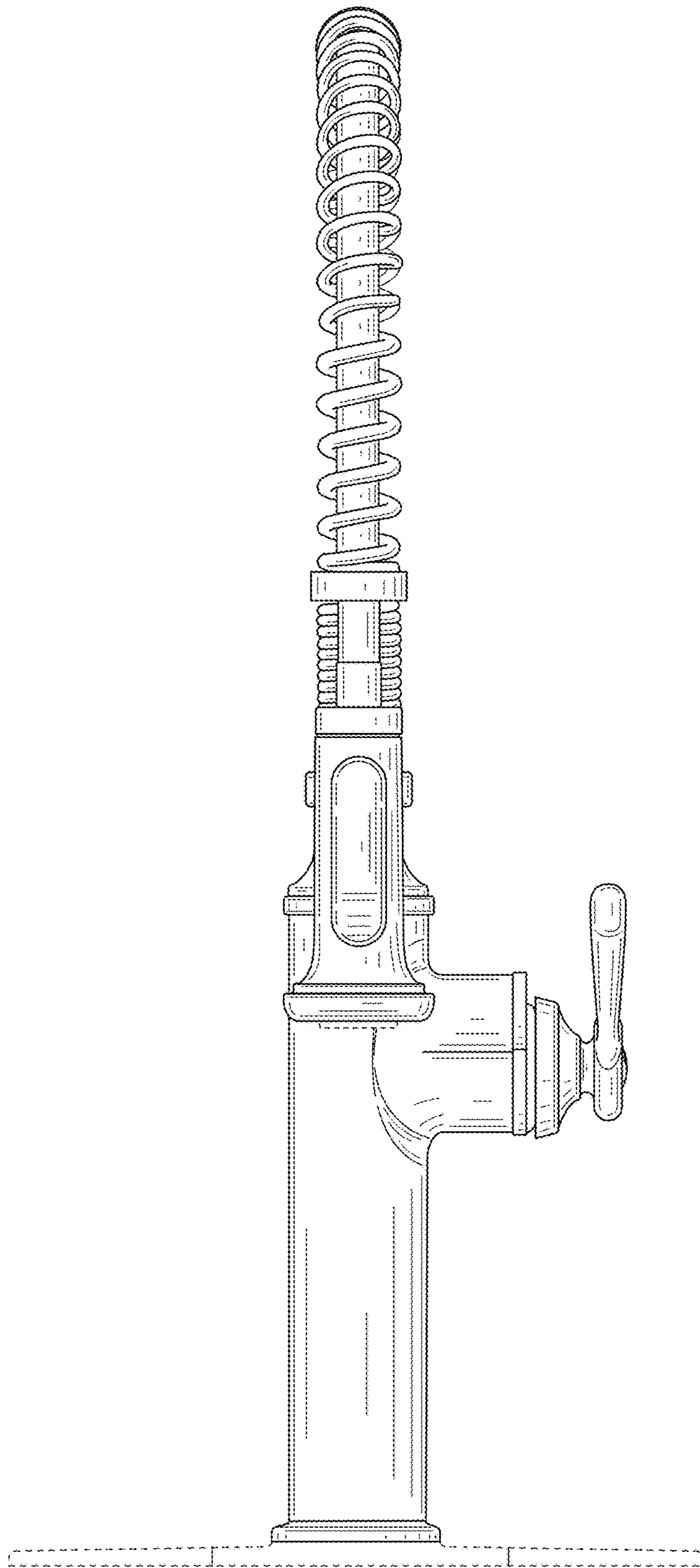


FIG. 2

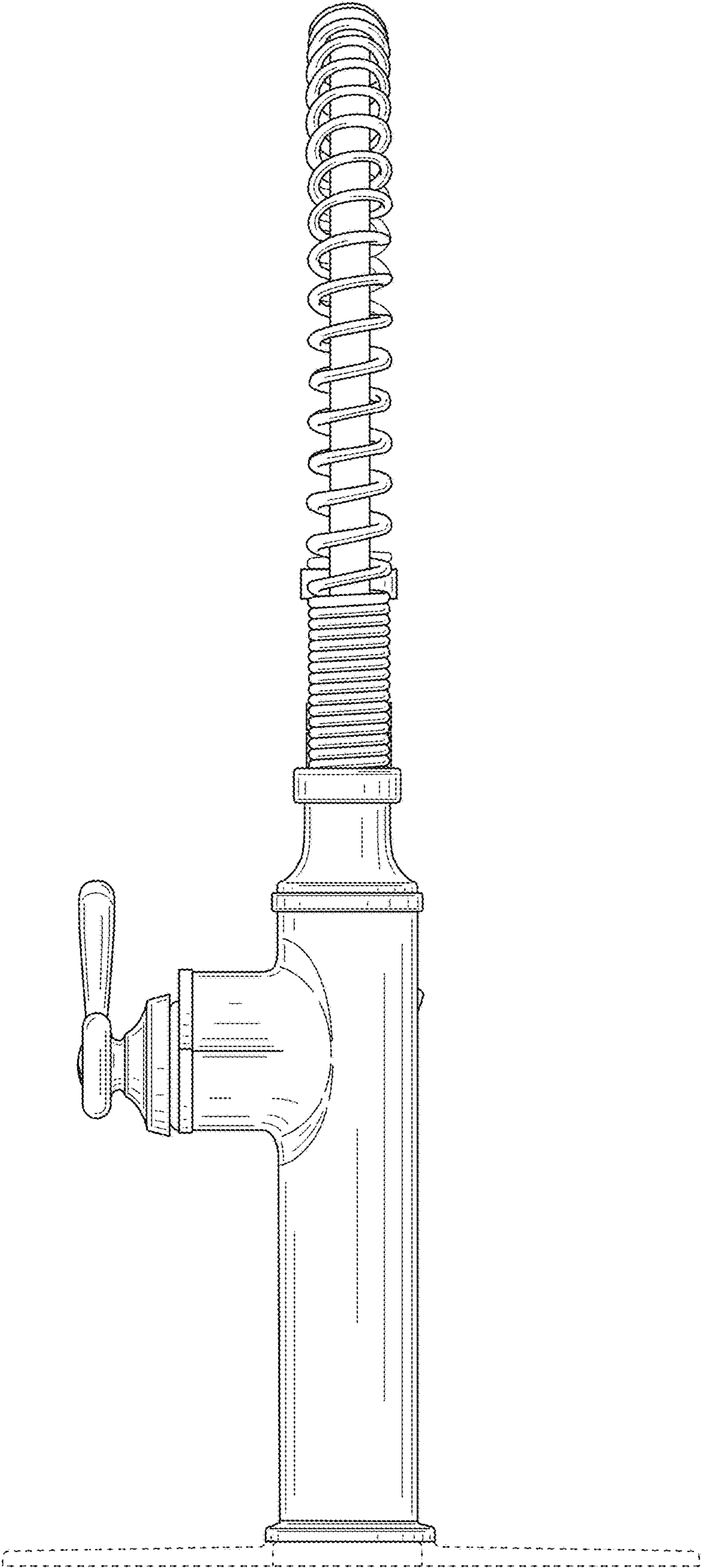


FIG. 3



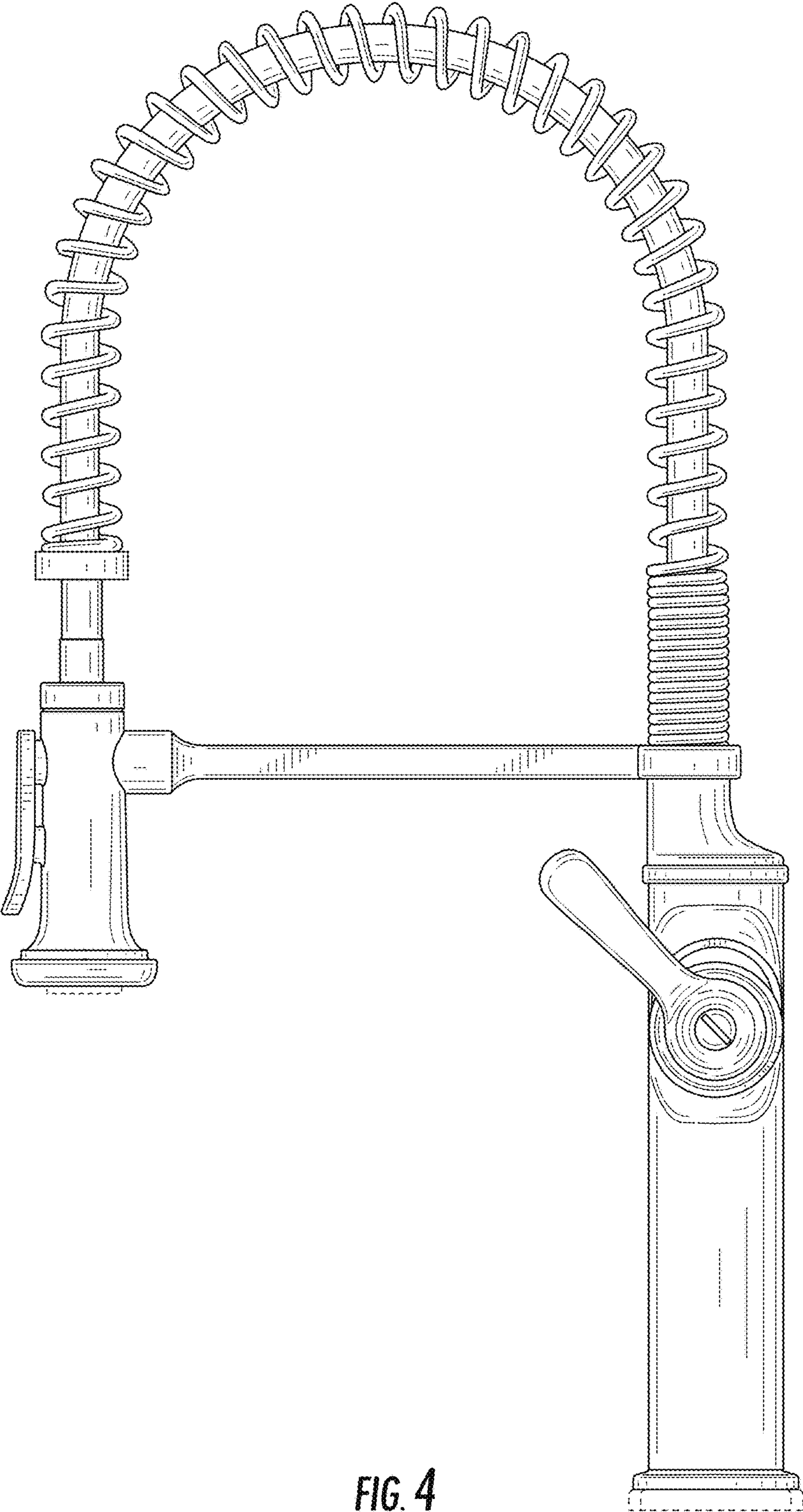


FIG. 4

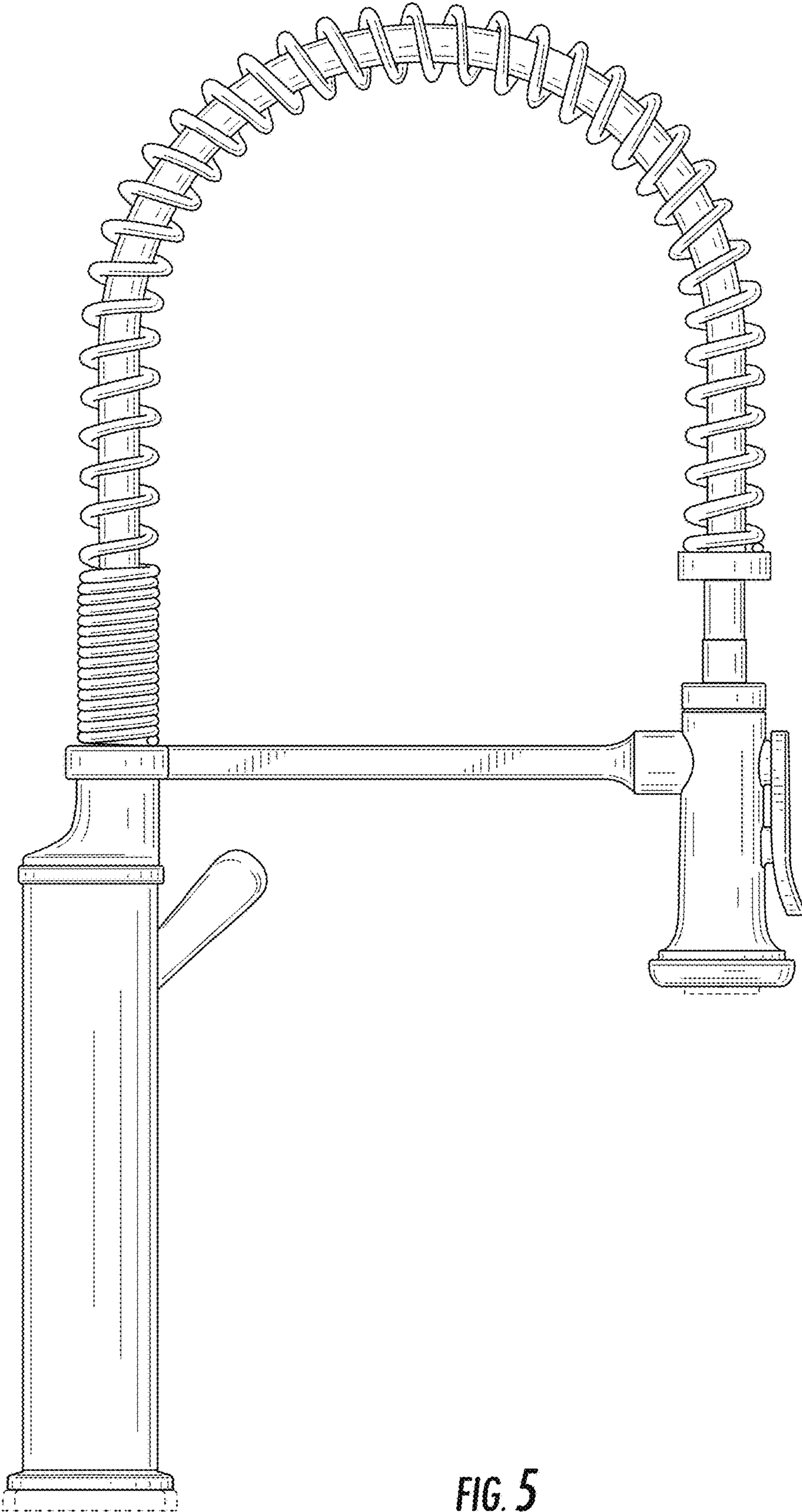


FIG. 5

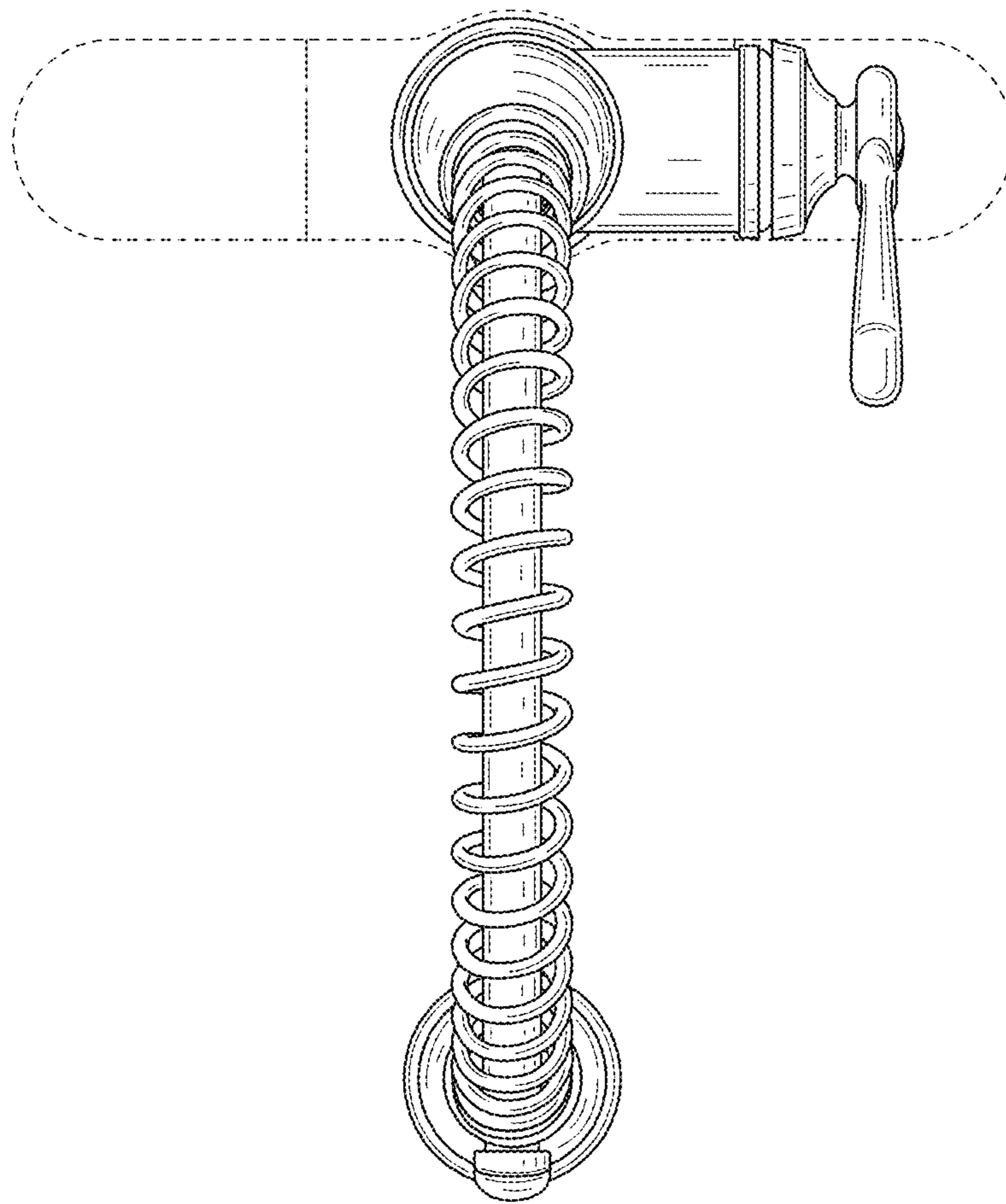


FIG. 6

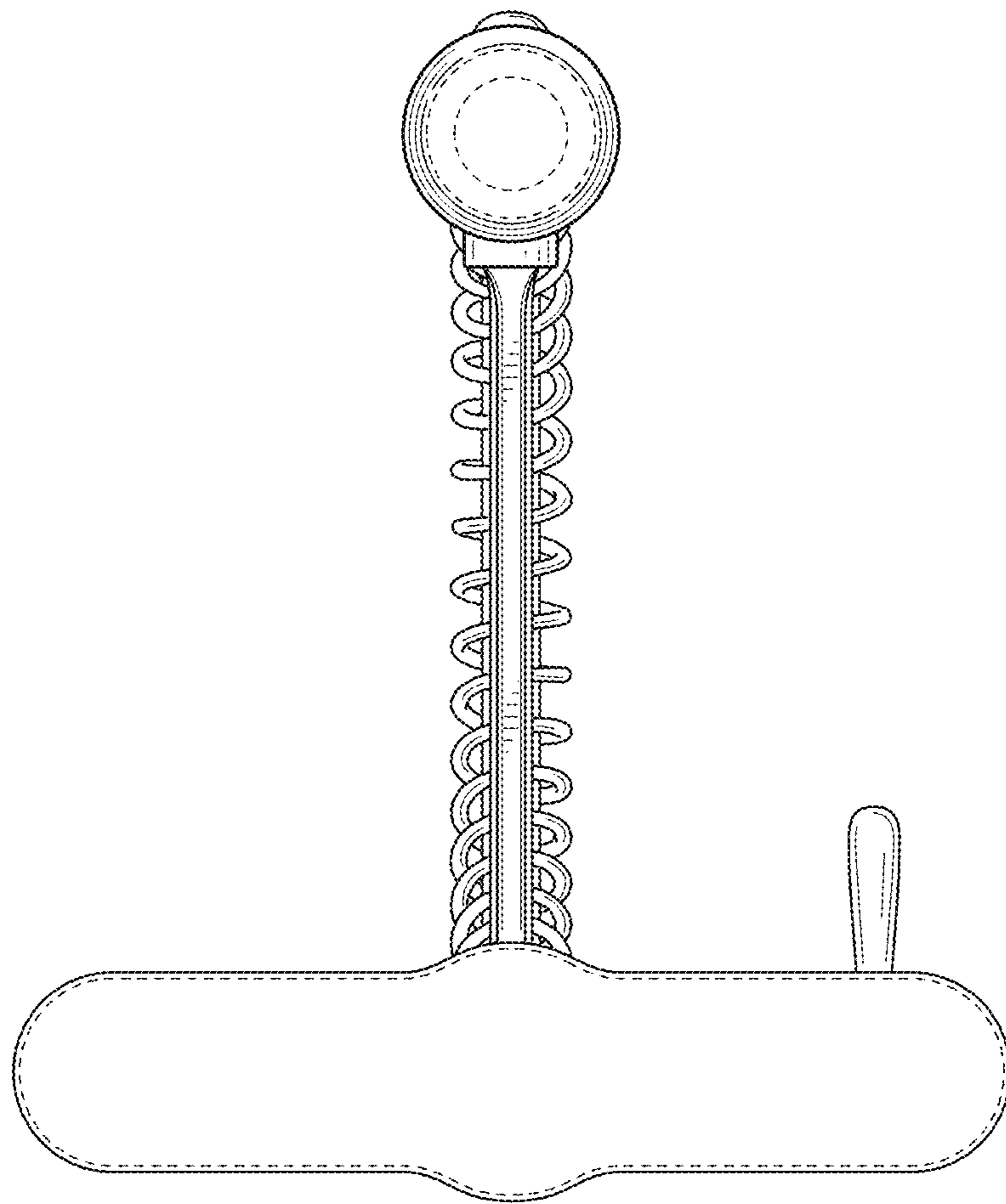


FIG. 7