



US00D786402S

(12) **United States Design Patent**
Rose

(10) **Patent No.:** **US D786,402 S**

(45) **Date of Patent:** **** May 9, 2017**

(54) **SPRAY GUN TRIGGER**

(71) Applicant: **Robert J. Rose**, Richmond, VA (US)

(72) Inventor: **Robert J. Rose**, Richmond, VA (US)

(73) Assignee: **Worthen Industries**, Nashua, NH (US)

(**) Term: **15 Years**

(21) Appl. No.: **29/552,913**

(22) Filed: **Jan. 27, 2016**

(51) **LOC (10) Cl.** **23-01**

(52) **U.S. Cl.**
USPC **D23/226**

(58) **Field of Classification Search**
USPC D23/213, 223, 226; 239/526, 690, 691
CPC B05B 9/01; B05B 7/02; B05B 12/002
See application file for complete search history.

(56) **References Cited**

U.S. PATENT DOCUMENTS

- 2,629,516 A * 2/1953 Badham B05B 9/0838
222/113
- 4,239,157 A * 12/1980 Fasth B05B 15/001
239/121
- 4,449,696 A * 5/1984 Hengesbach B05B 1/32
137/343
- 4,695,618 A 9/1987 Mowrer
- 5,160,092 A * 11/1992 Rose B05B 15/00
239/288
- D376,318 S * 12/1996 Hildebrand D23/226
- 5,733,961 A 3/1998 Purvis
- 5,740,968 A * 4/1998 Mueller B05B 1/3046
239/526
- 5,791,564 A * 8/1998 Carra B05B 9/01
239/526
- 5,984,207 A * 11/1999 Wang B05B 1/3013
239/526
- 6,533,187 B2 3/2003 May
- D504,493 S * 4/2005 Huang D23/226

- D505,072 S * 5/2005 Turnbull D9/448
 - 7,216,816 B2 5/2007 Hammarth
 - D562,435 S * 2/2008 Turnbull D23/226
- (Continued)

FOREIGN PATENT DOCUMENTS

- EP 0814139 12/1997
- WO 2014182170 11/2014
- WO 2015137808 9/2015

OTHER PUBLICATIONS

Industrial Hydraulic Spray Products, Spraying Systems Co., 2013, pp. A3 & C24.

(Continued)

Primary Examiner — Robin V Webster

(74) *Attorney, Agent, or Firm* — Lambert & Associates; Gary E. Lambert; David J. Connaughton, Jr.

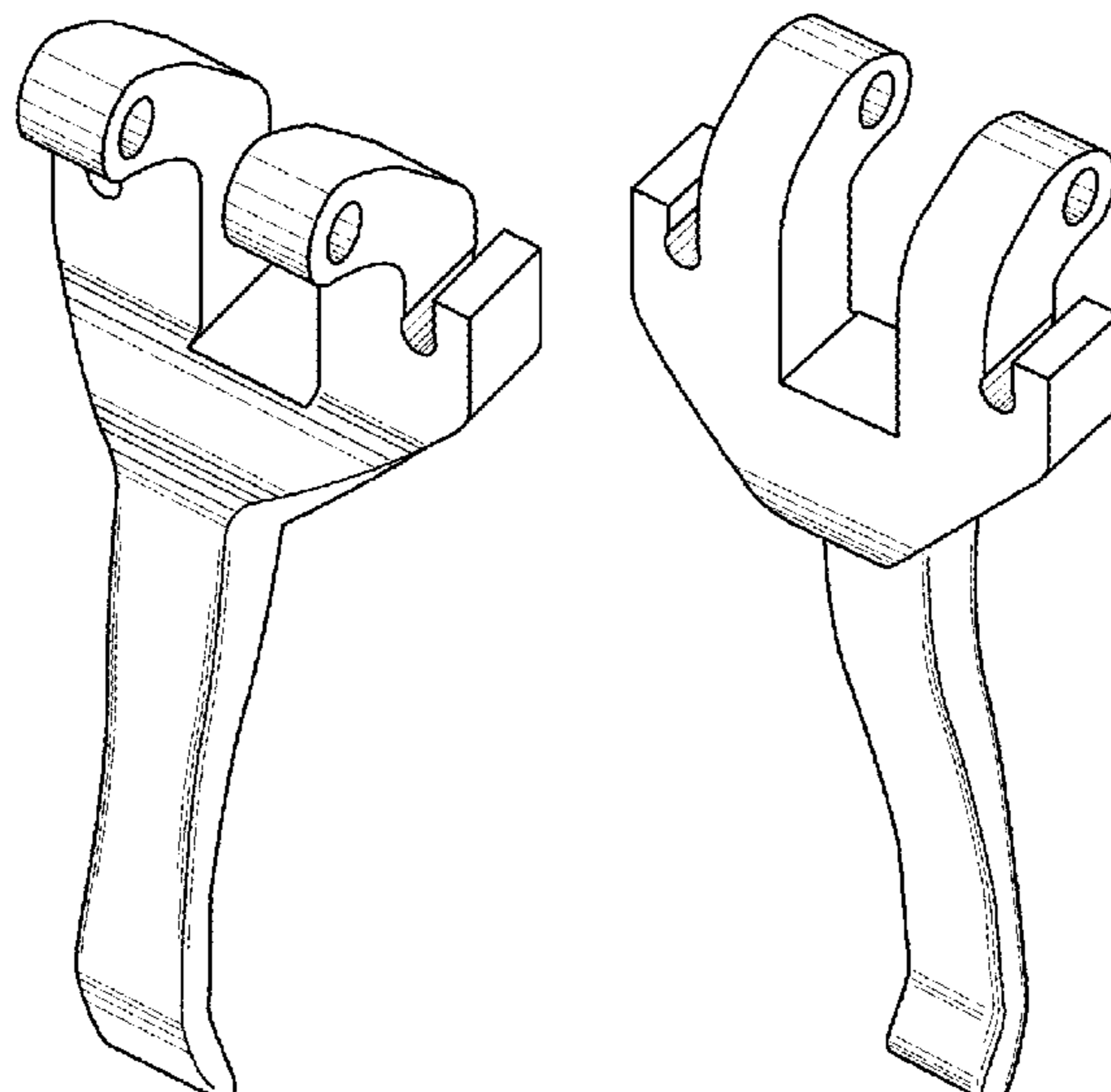
(57) **CLAIM**

The ornamental design for a spray gun trigger, as shown and described.

DESCRIPTION

FIG. 1 is a perspective front view of the spray gun trigger, which embodies my design;
 FIG. 2 is a perspective rear view thereof;
 FIG. 3 is a bottom view thereof;
 FIG. 4 is a top view thereof;
 FIG. 5 is rear view thereof;
 FIG. 6 is front view thereof;
 FIG. 7 is a left side view thereof;
 FIG. 8 is a right side view thereof;
 FIG. 9 is a perspective view thereof mounted on a spray gun; and,
 FIG. 10 is a side view thereof mounted on a spray gun.
 The broken line showing of a spray gun is included for the purpose of illustrating environment and forms no part of the claimed design.

1 Claim, 4 Drawing Sheets



(56)

References Cited

U.S. PATENT DOCUMENTS

8,118,969	B2	2/2012	Williams	
9,427,758	B2 *	8/2016	Kosaka	B05B 9/01
2006/0069196	A1	3/2006	Grabowski	
2007/0224395	A1	9/2007	Rowitsch	
2007/0272768	A1	11/2007	Williams	

OTHER PUBLICATIONS

No. AA23L-458B5 & No. AA23L45885-SS, Gunjet Spray Guns,
Spraying Systems Co., Sheet 1.

* cited by examiner

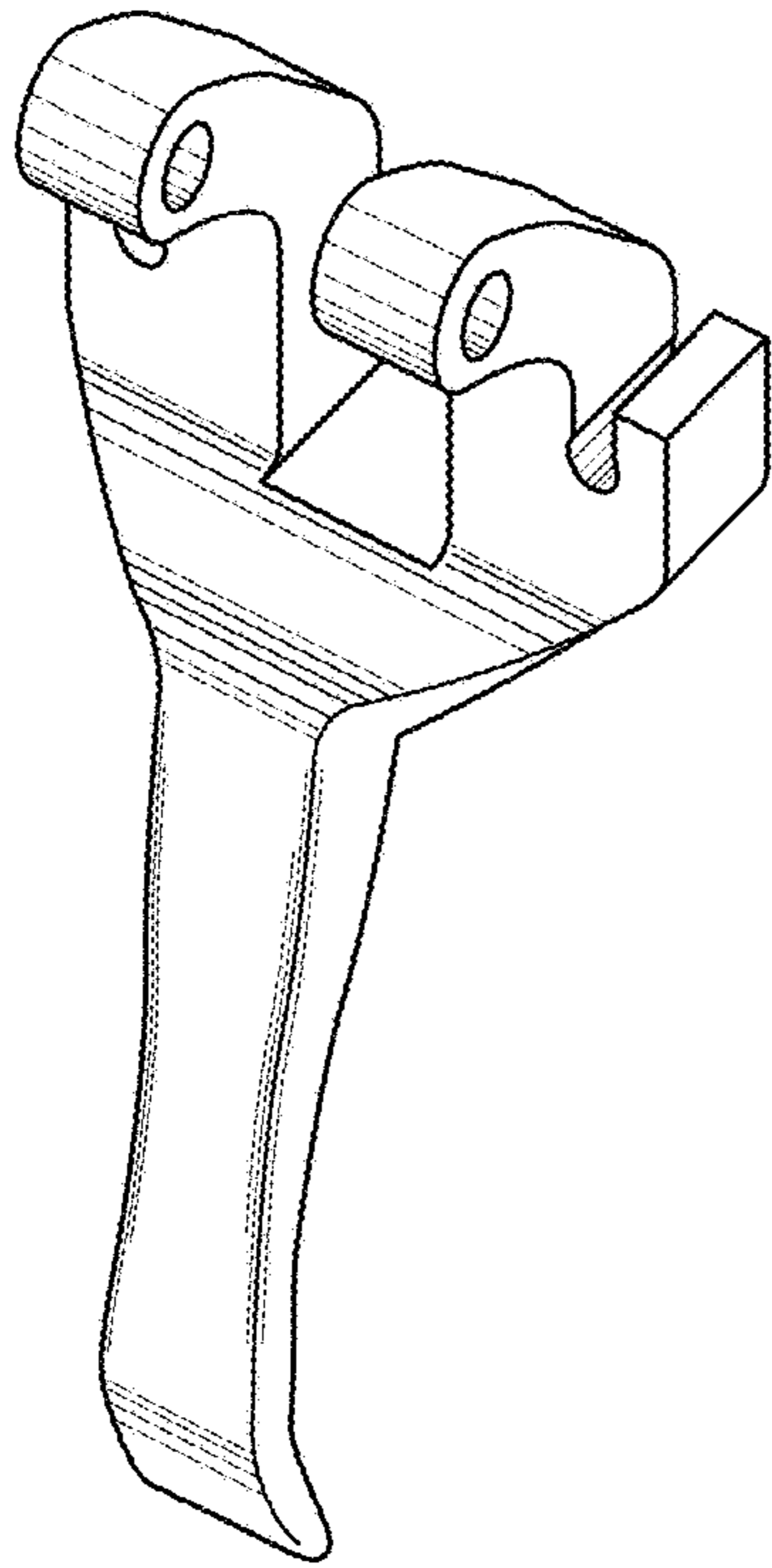


Fig. 1

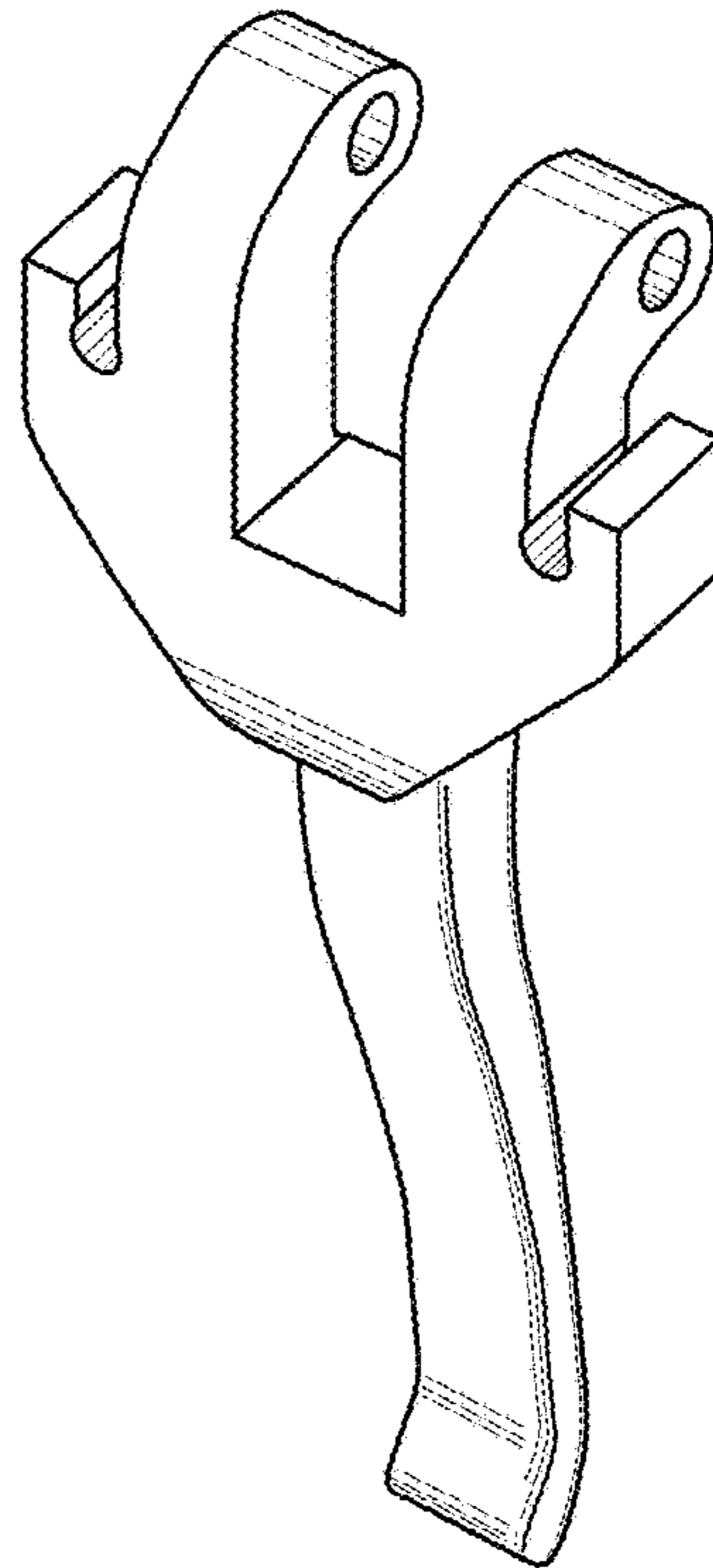


Fig. 2

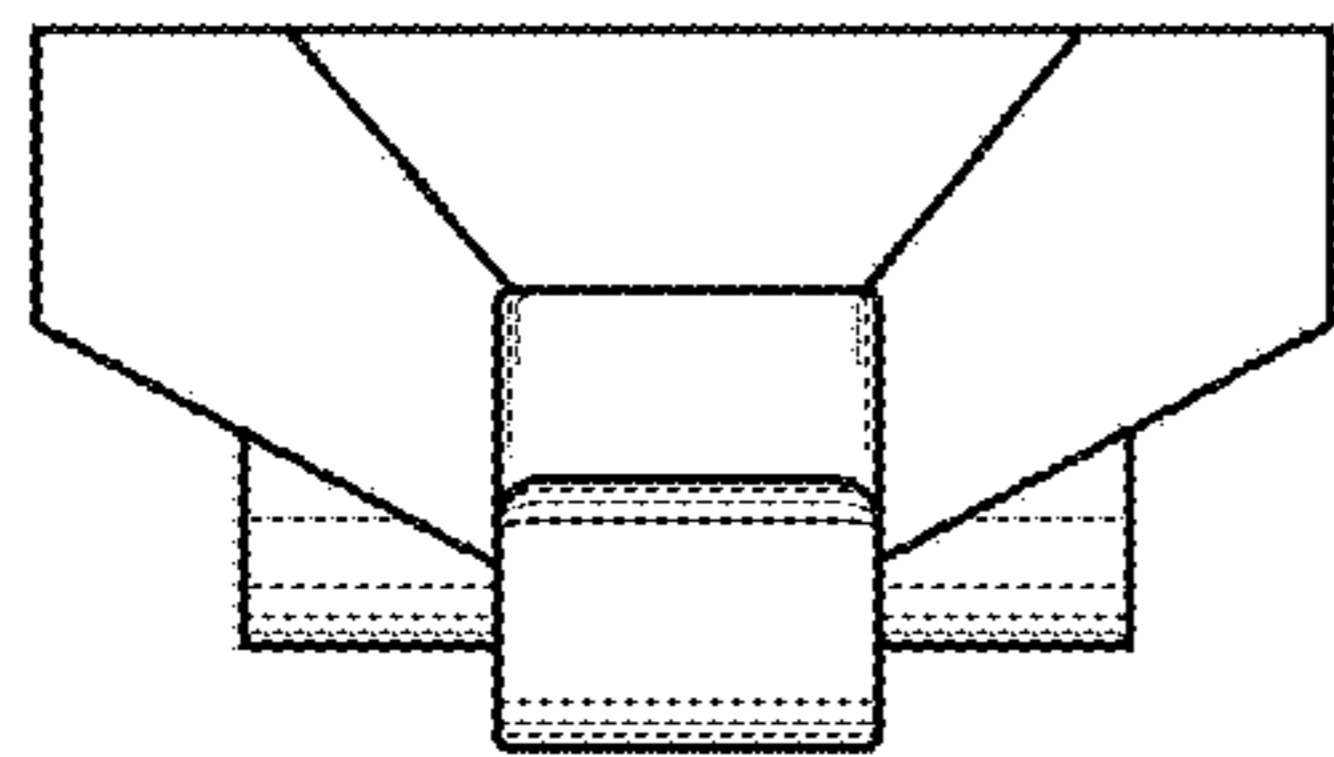


Fig. 3

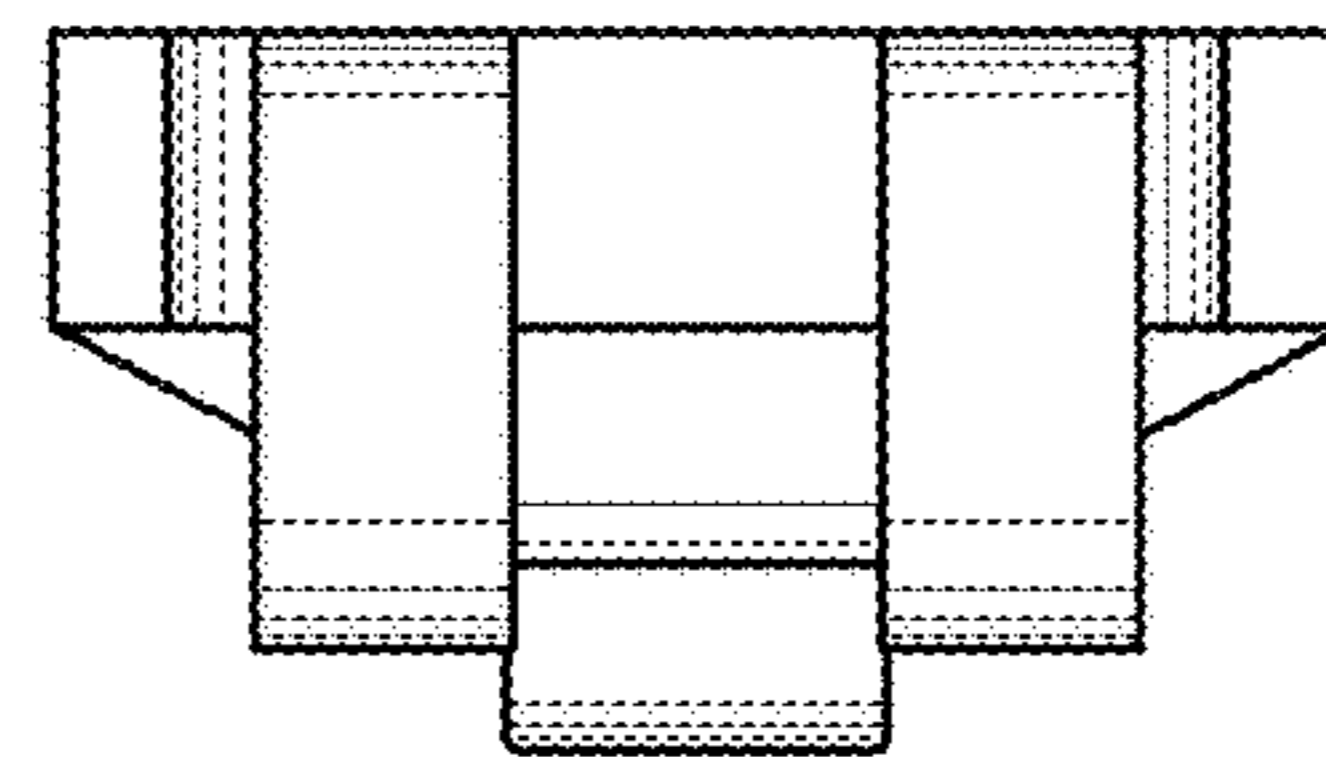


Fig. 4

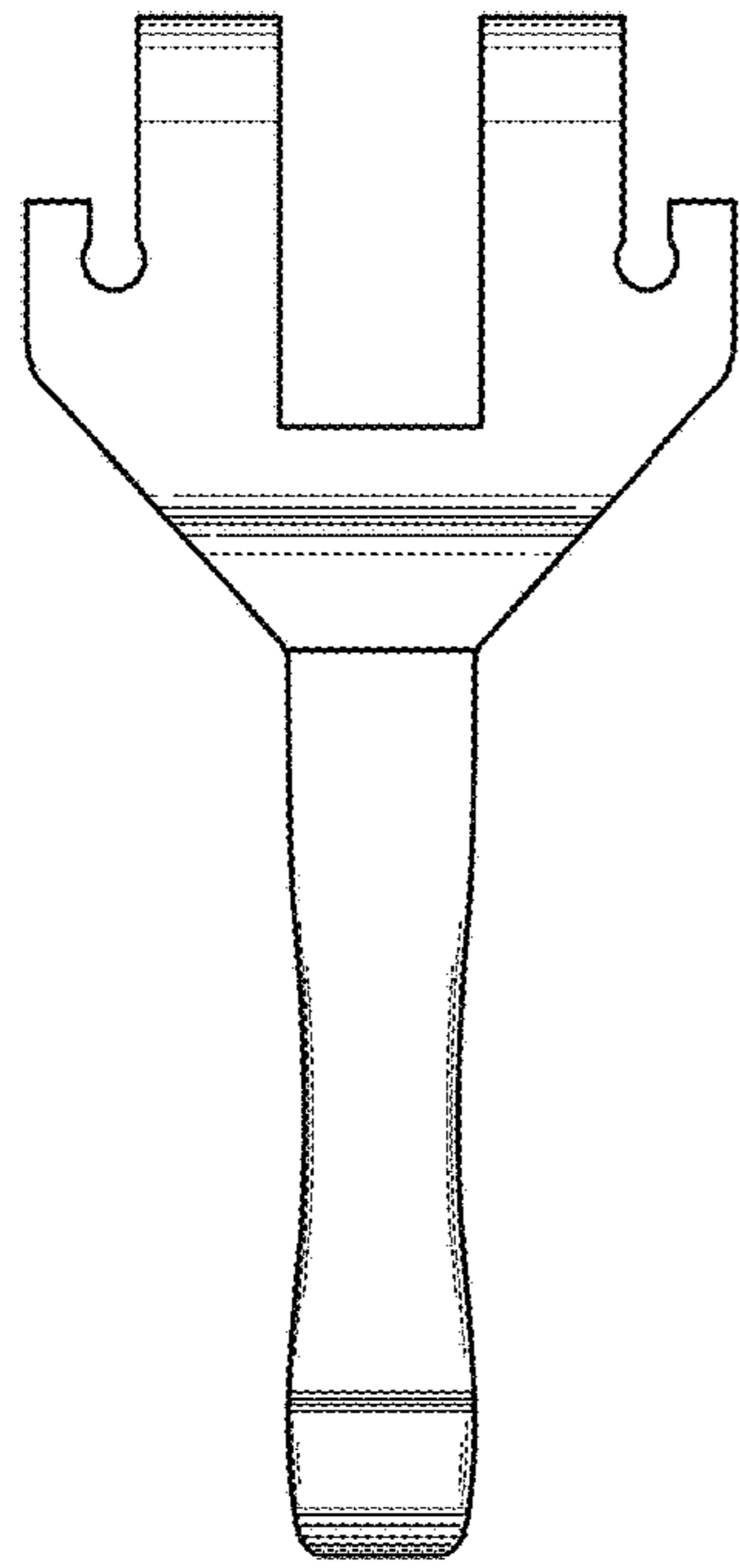


Fig. 5

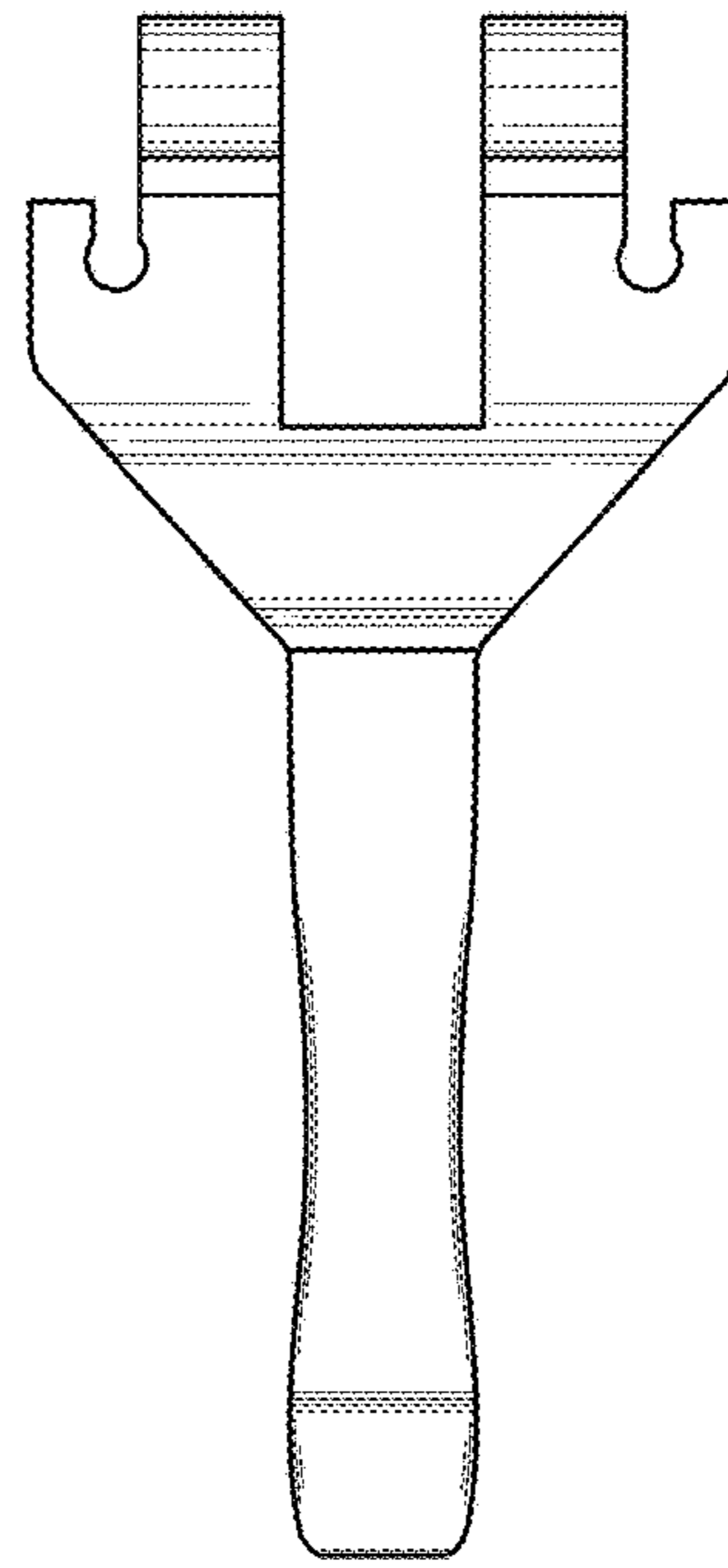


Fig. 6

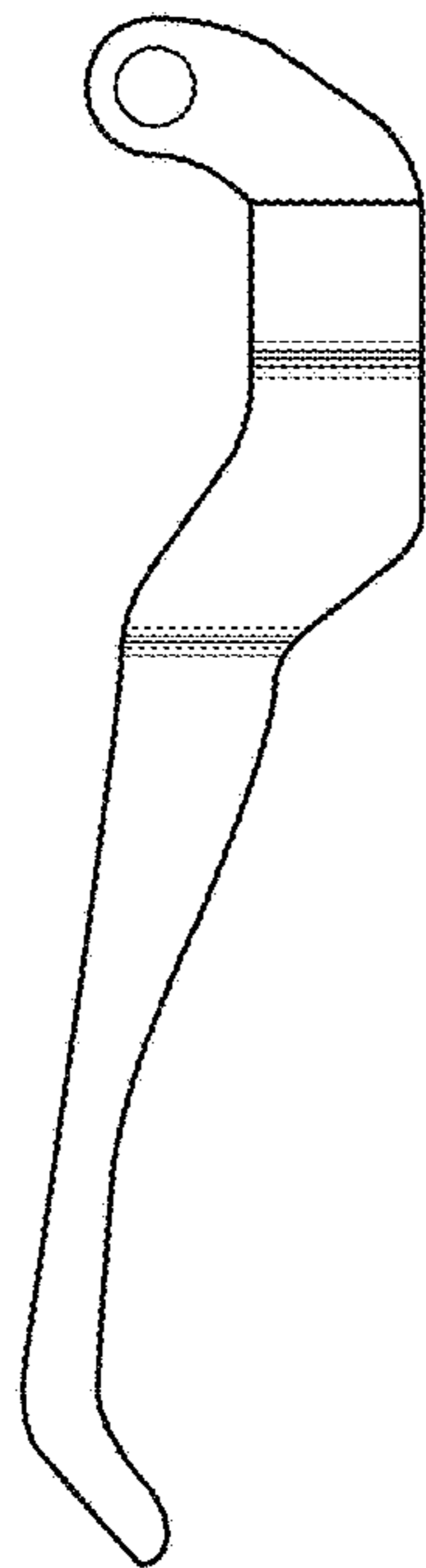


Fig. 7

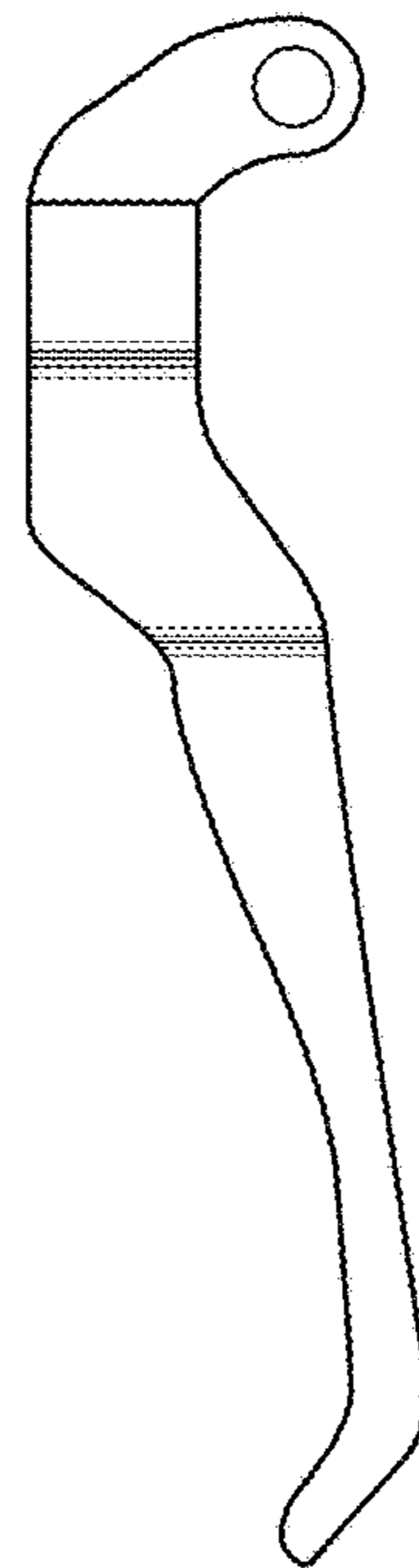


Fig. 8

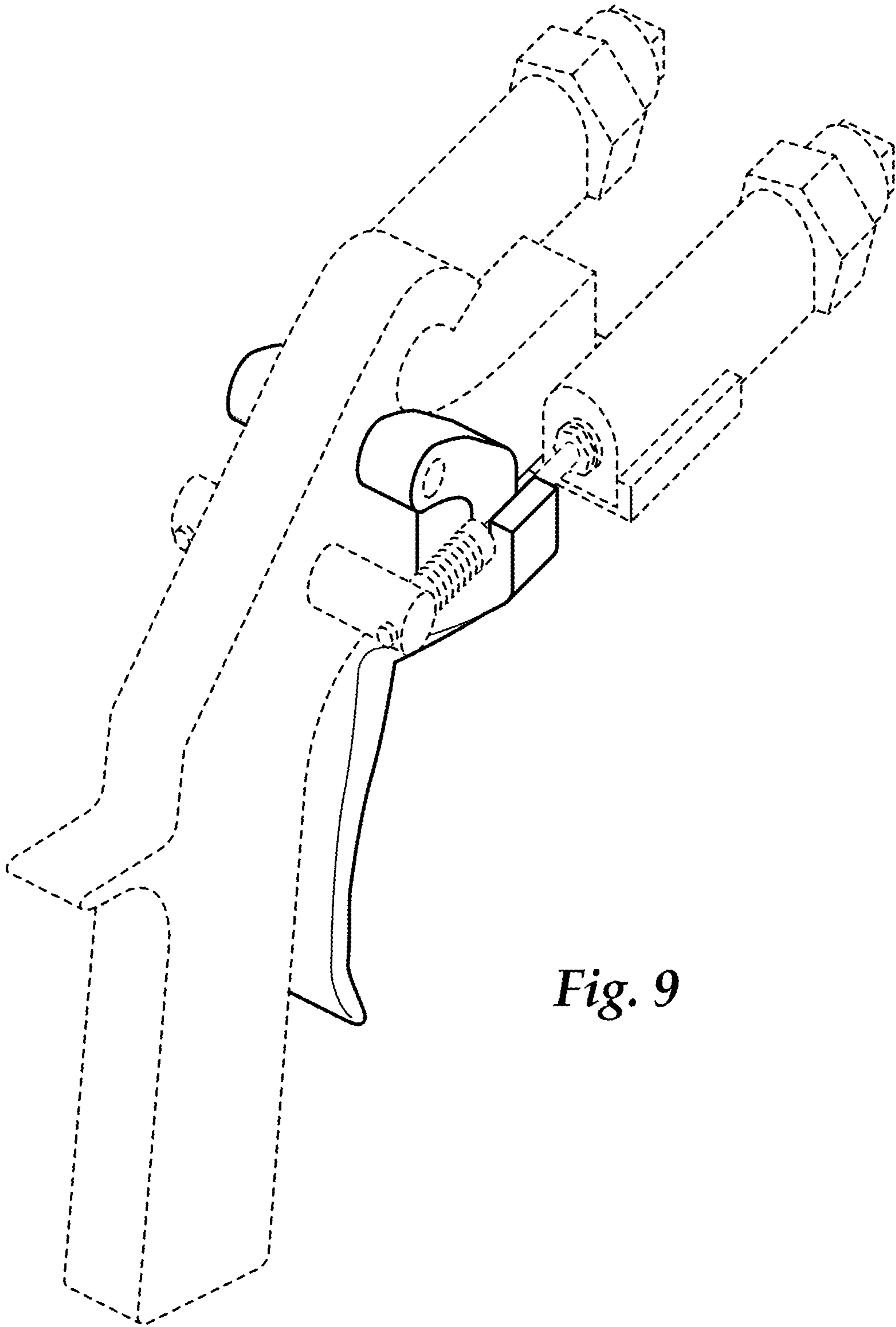


Fig. 9

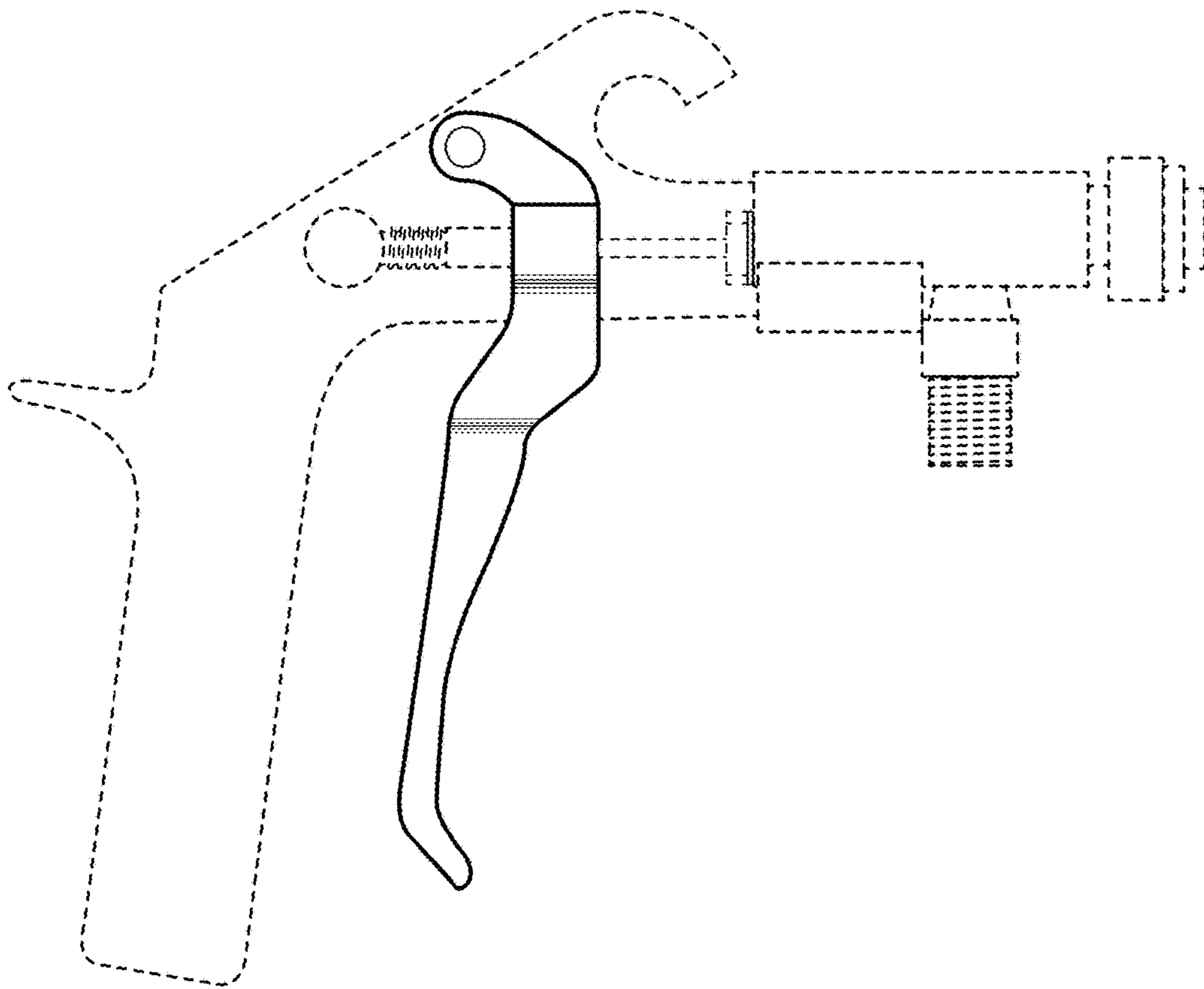


Fig. 10