



US00D786401S

(12) **United States Design Patent**  
**Valladares**

(10) **Patent No.:** **US D786,401 S**

(45) **Date of Patent:** **\*\* May 9, 2017**

(54) **LIQUID SPRAYER**

(71) Applicant: **Donny Valladares**, Kissimmee, FL  
(US)

(72) Inventor: **Donny Valladares**, Kissimmee, FL  
(US)

(\*\*) Term: **15 Years**

(21) Appl. No.: **29/549,850**

(22) Filed: **Dec. 28, 2015**

(51) **LOC (10) Cl.** ..... **23-01**

(52) **U.S. Cl.**

USPC ..... **D23/214**; D21/302

(58) **Field of Classification Search**

USPC ..... D21/300, 302, 303, 318, 334; 273/317,  
273/331, 336, 398, 400, 402, 407, 408,  
273/410, 118 R, 123 R, 236, 348, 386,  
273/287; 473/569, 578, 592; D23/213,  
D23/214, 201; 239/548, 556, 550, 566,  
239/273, 276, 288, 288.3

CPC ..... A63B 63/00; A63B 67/00; A63B 71/00

See application file for complete search history.

(56) **References Cited**

**U.S. PATENT DOCUMENTS**

4,261,577	A *	4/1981	Ellis	.....	A63F 7/249
					124/7
4,943,065	A *	7/1990	DeLapa	.....	A63B 67/06
					273/402
4,968,041	A *	11/1990	Calvo	.....	A63B 67/06
					273/401
5,148,556	A *	9/1992	Bottoms, Jr.	.....	A47K 3/281
					239/273
D378,309	S *	3/1997	Cheng	.....	D23/214
D382,601	S *	8/1997	Antill	.....	D21/303
5,996,507	A *	12/1999	Joseph	.....	B60N 3/001
					108/125

D438,910	S *	3/2001	Culberson	.....	D21/303
6,390,391	B1 *	5/2002	Ulin	.....	B05B 1/18
					239/16
D516,166	S *	2/2006	Gregory	.....	D23/214
7,591,471	B2 *	9/2009	Walterscheid	.....	A63B 67/06
					273/348.3
D706,354	S *	6/2014	Montenare	.....	D21/303
D706,355	S *	6/2014	Montenare	.....	D21/303
8,939,385	B2 *	1/2015	Huffman	.....	B05B 7/0884
					239/266
D729,319	S *	5/2015	Meissner	.....	D21/303
D732,141	S *	6/2015	Salas	.....	D23/214
D769,410	S *	10/2016	Szasz	.....	D23/214

\* cited by examiner

*Primary Examiner* — Prabhakar Deshmukh

(74) *Attorney, Agent, or Firm* — Nancy J. Flint, Esq.;  
Nancy J. Flint, Attorney at Law, P.A.

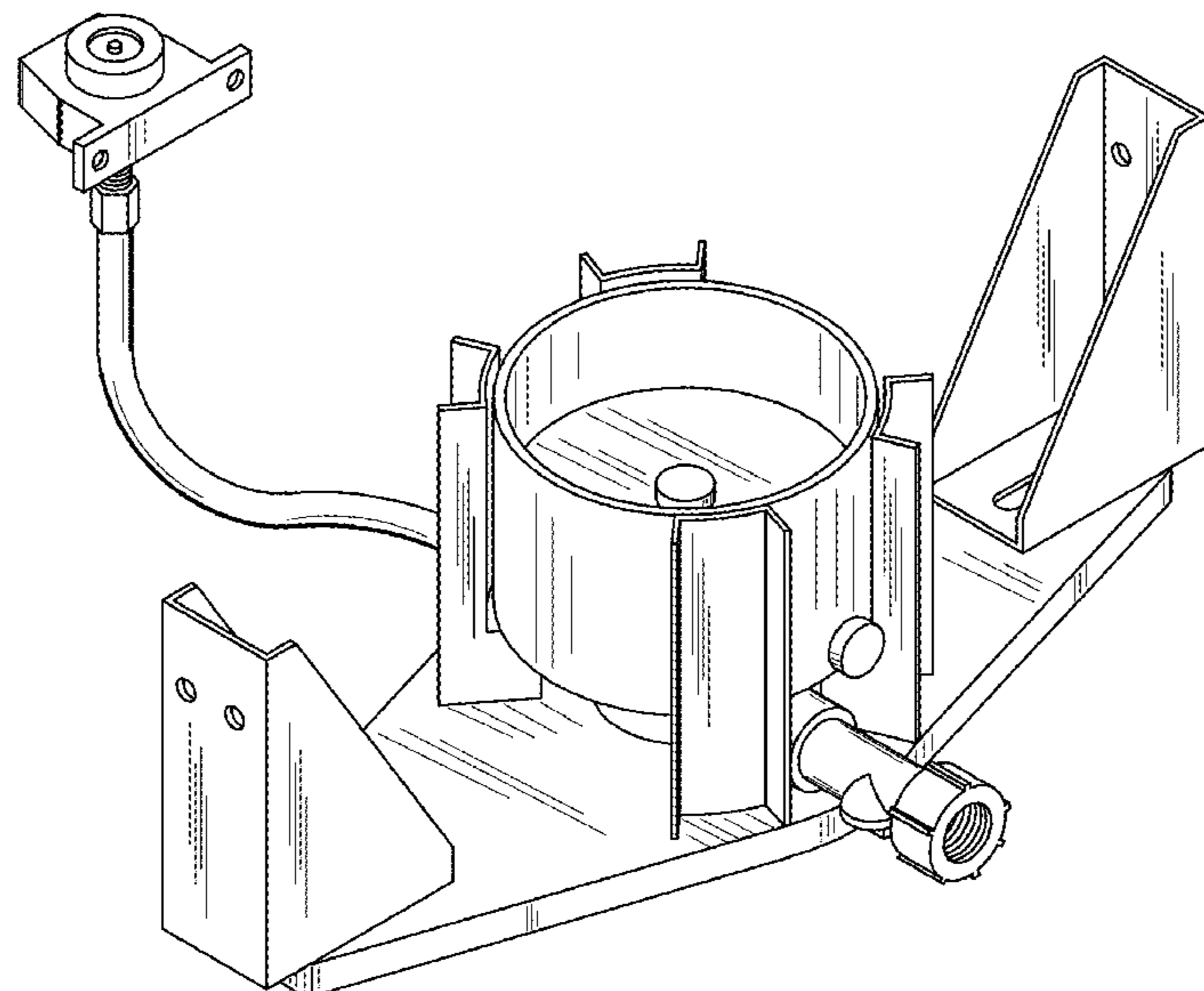
(57) **CLAIM**

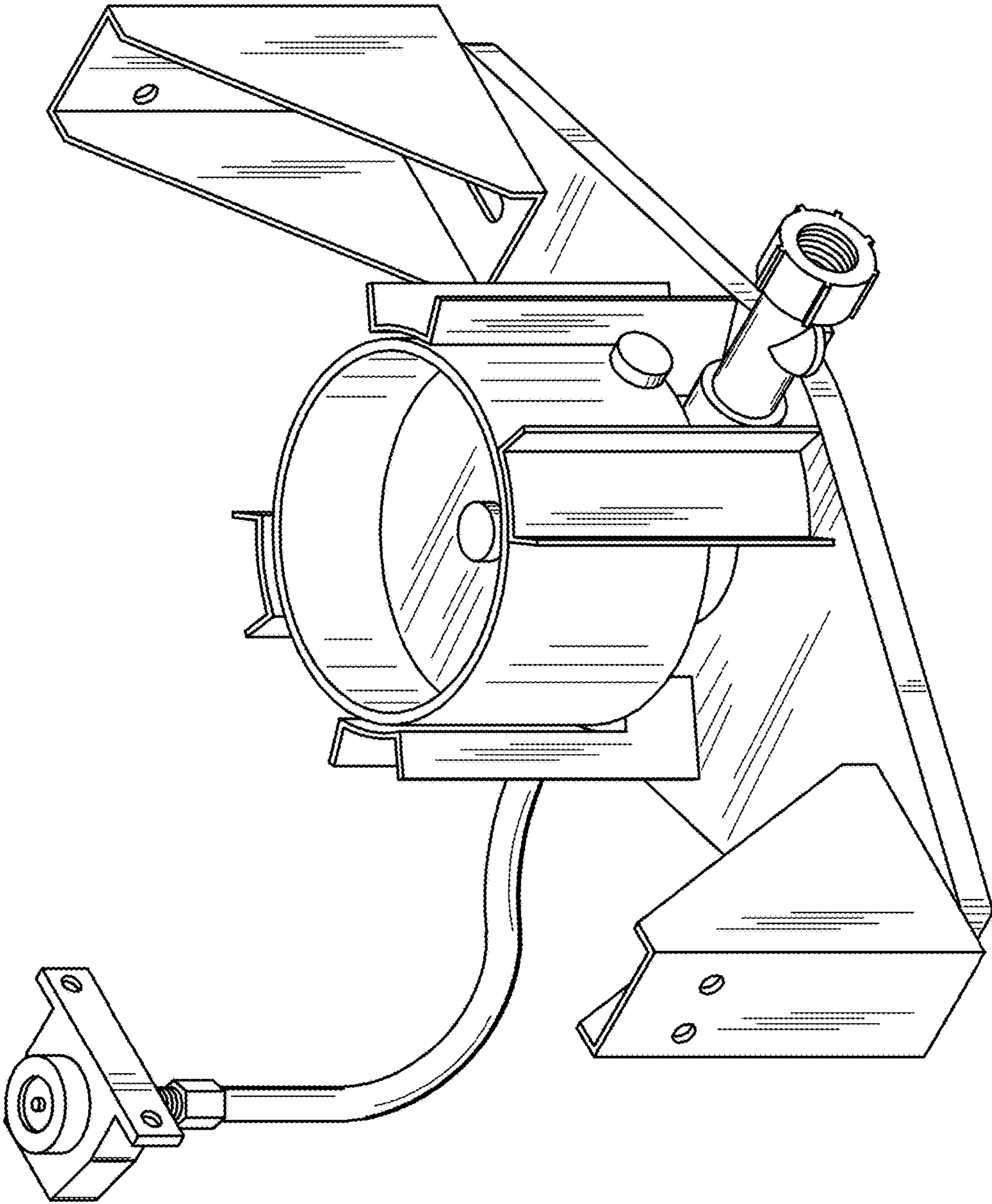
The ornamental design for a liquid sprayer, as shown and described.

**DESCRIPTION**

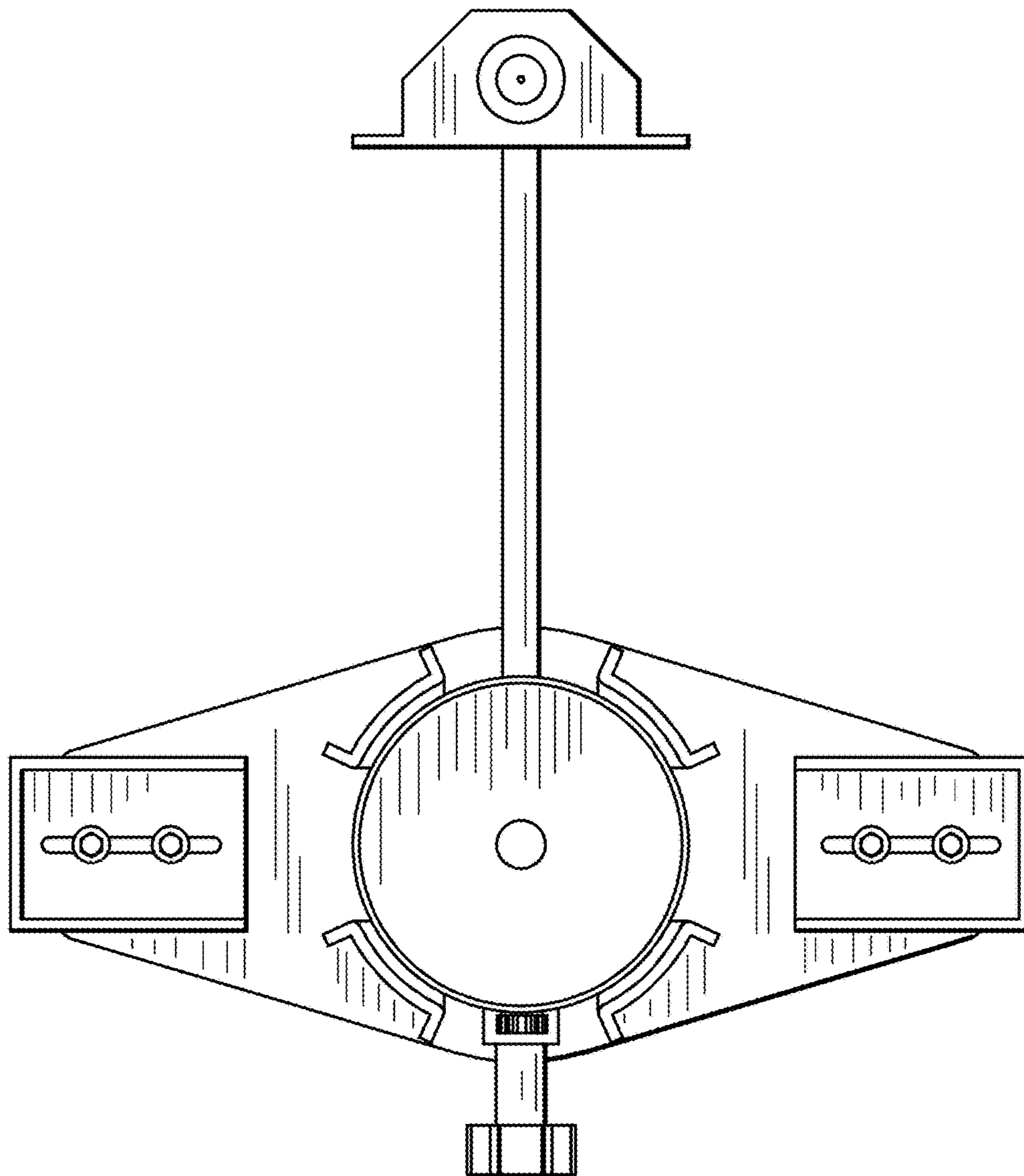
FIG. 1 is a perspective view of a liquid sprayer showing my new design;  
FIG. 2 is a top view of the liquid sprayer;  
FIG. 3 is a front view of the liquid sprayer;  
FIG. 4 is a rear view of the liquid sprayer;  
FIG. 5 is a left side view of the liquid sprayer;  
FIG. 6 is a bottom view of the liquid sprayer;  
FIG. 7 is a perspective view of the liquid sprayer in use; and,  
FIG. 8 is a perspective view of the liquid sprayer in use.  
Right side views not shown are mirror images of left side views. The broken lines shown in the drawings are for the purpose of illustrating environment that forms no part of the claimed design.

**1 Claim, 6 Drawing Sheets**

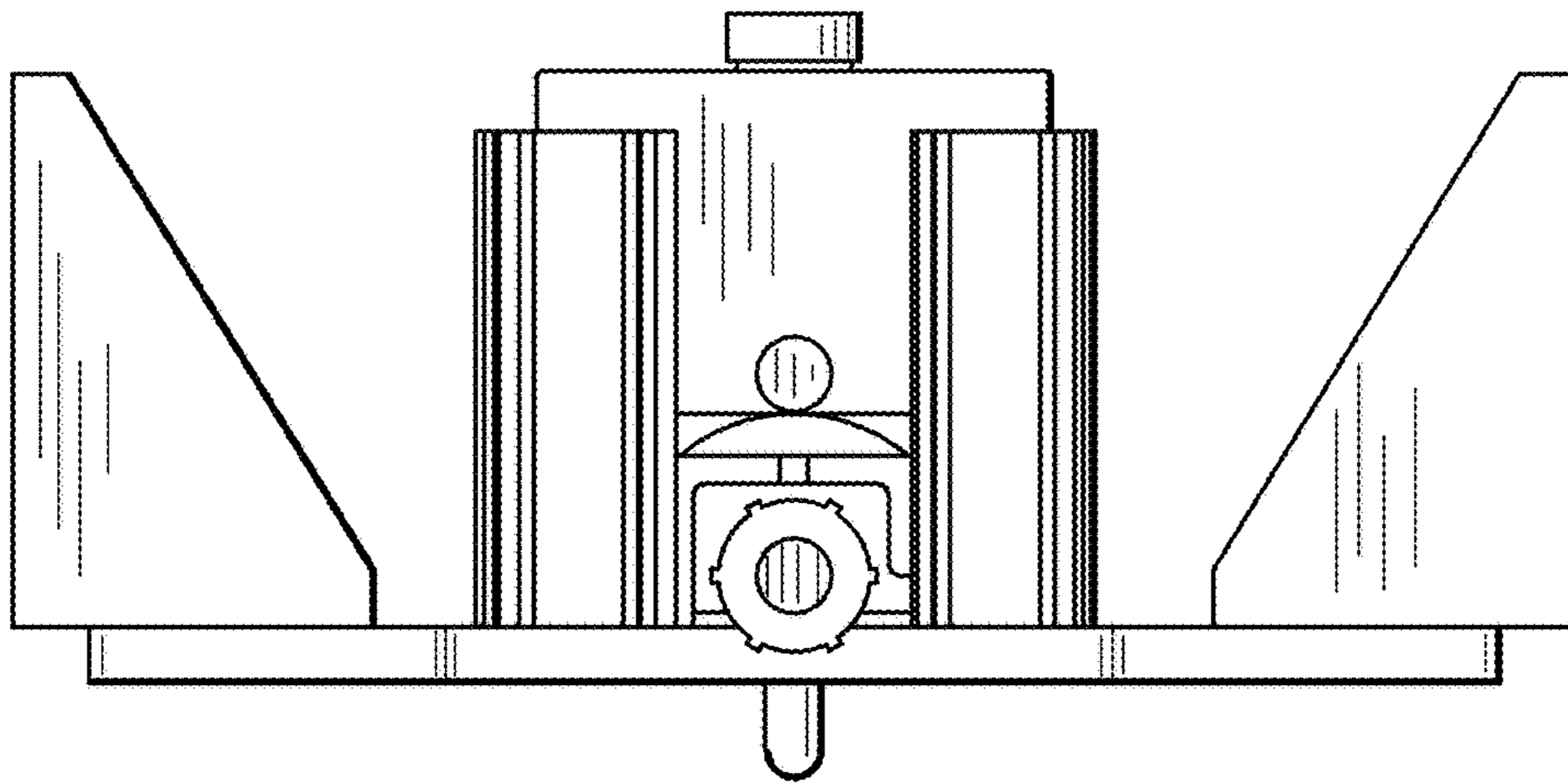




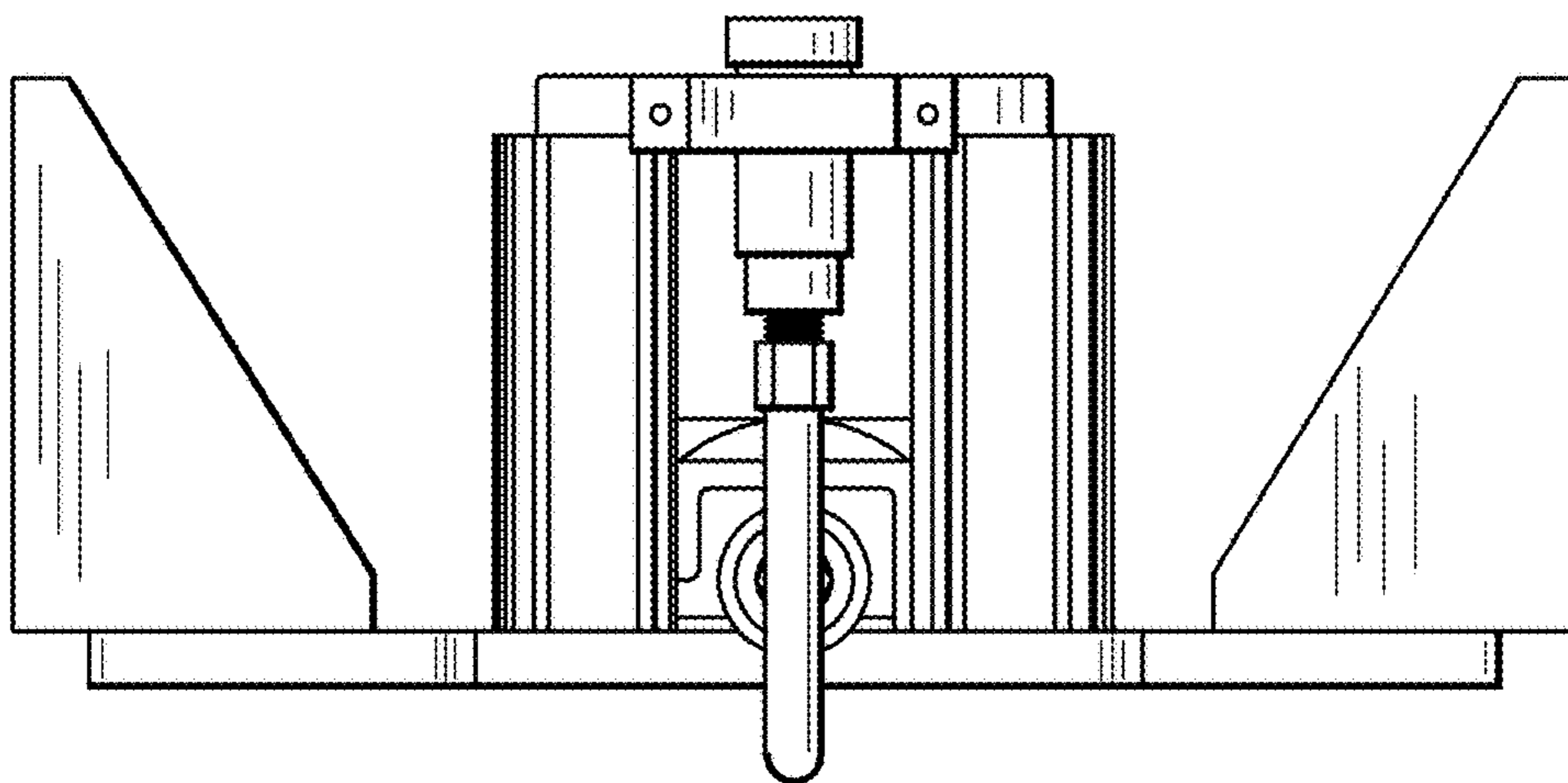
**Fig. 1**



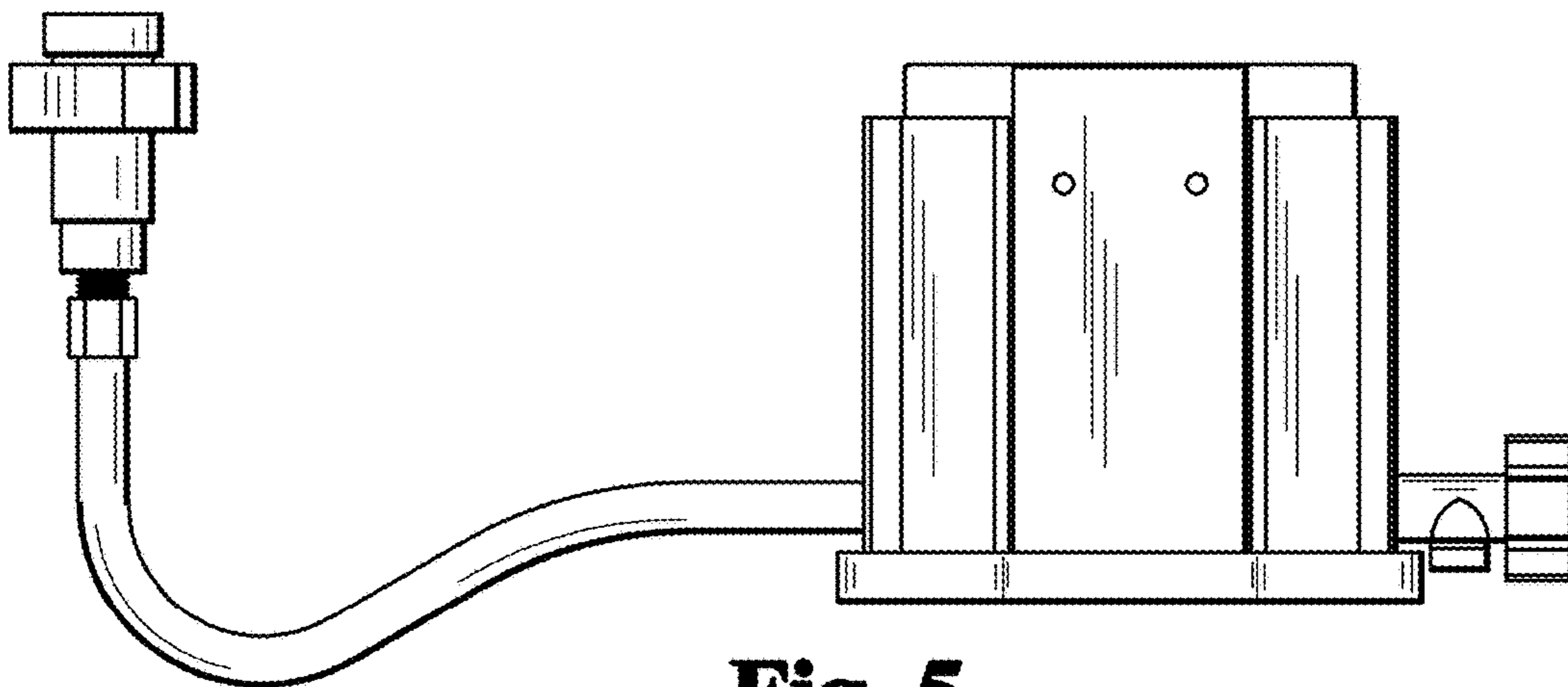
**Fig. 2**



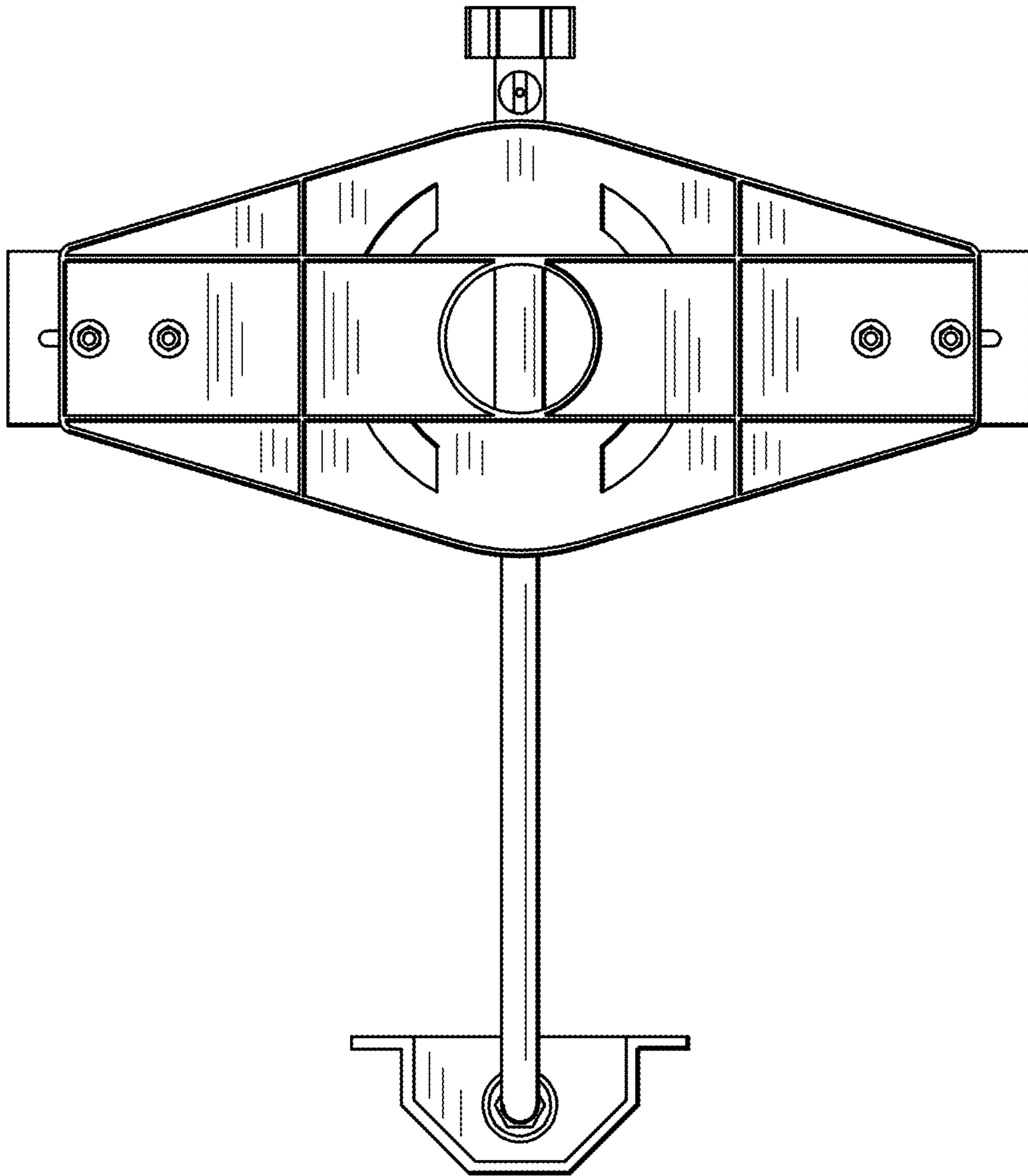
**Fig. 3**



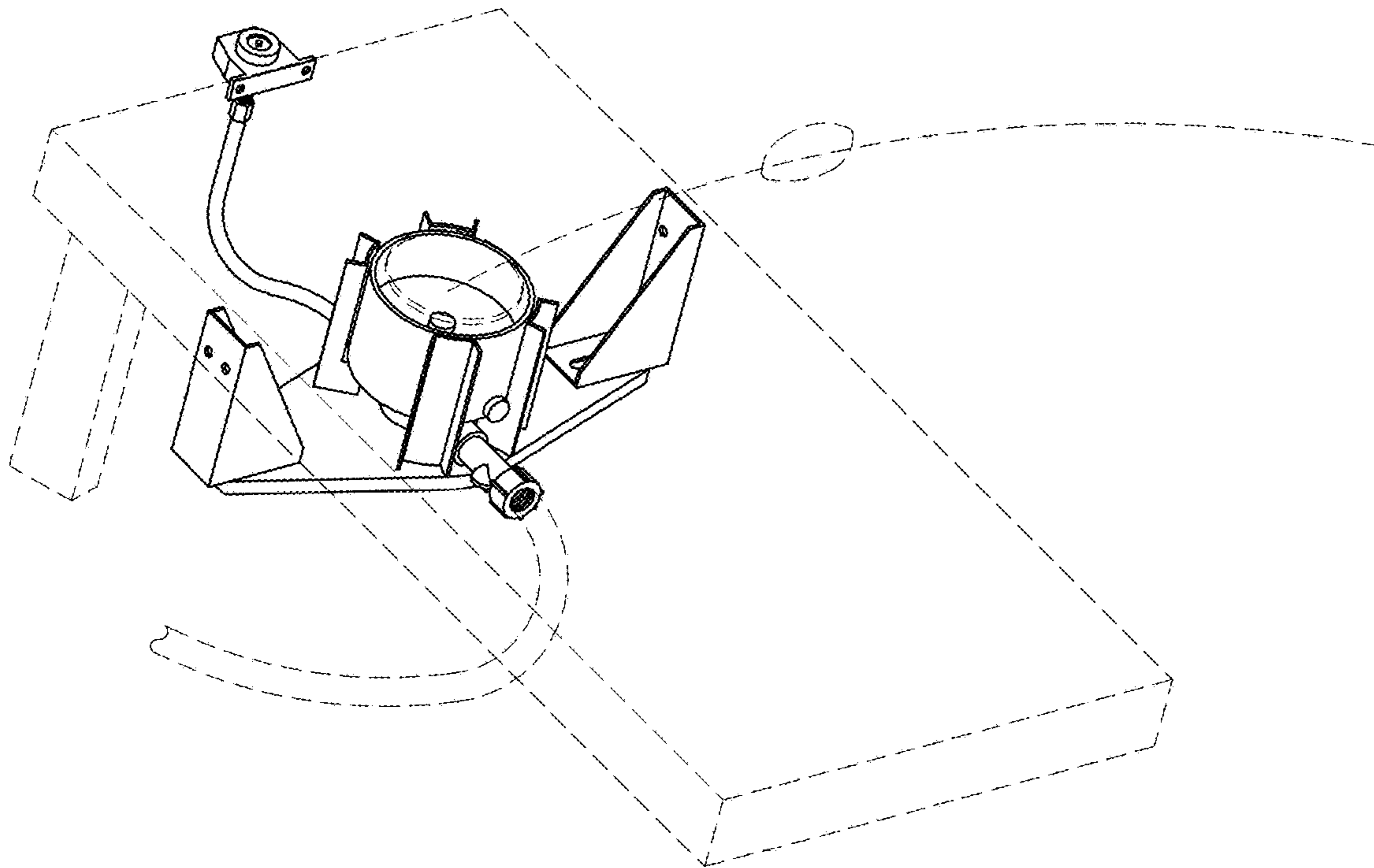
**Fig. 4**



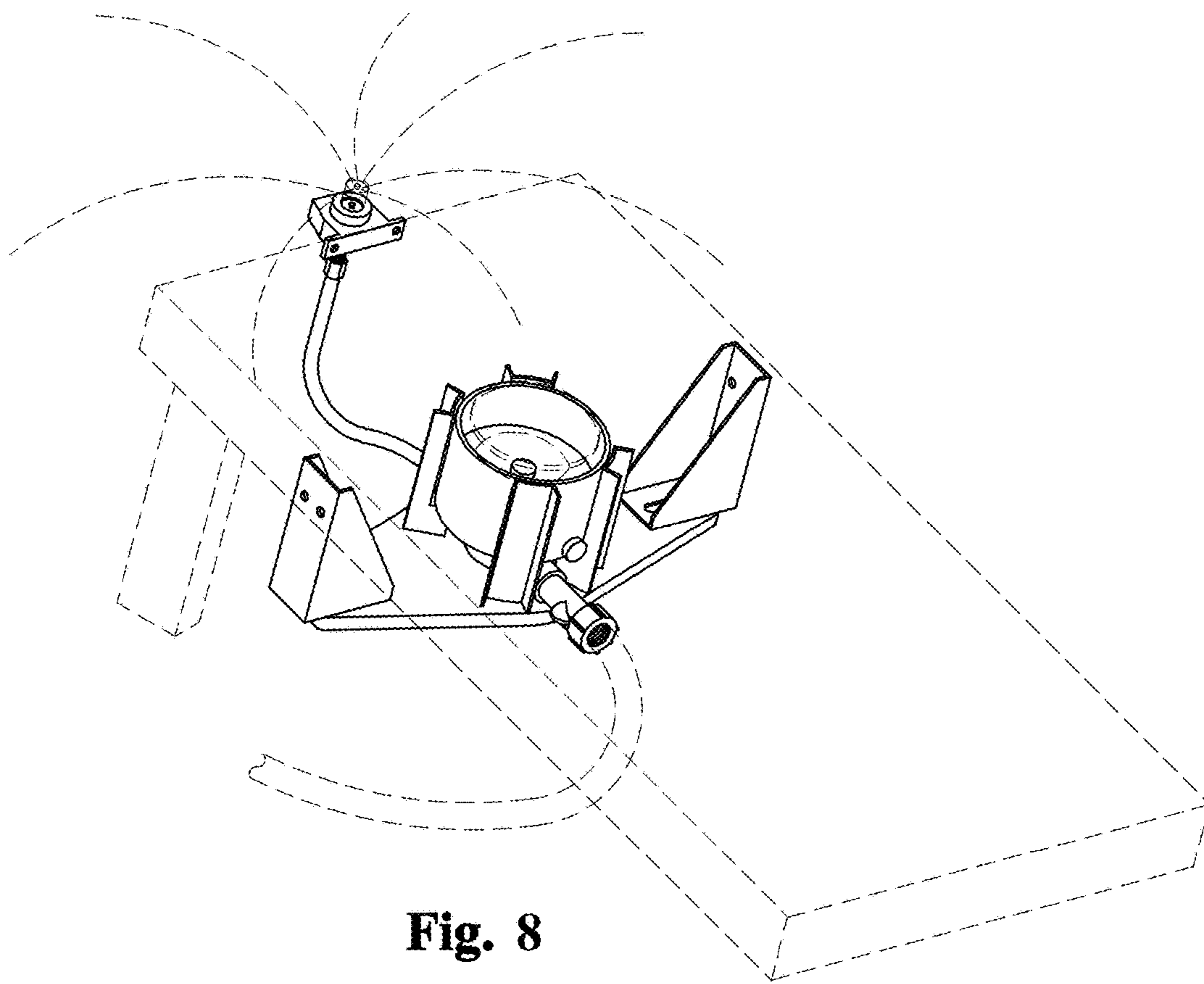
**Fig. 5**



**Fig. 6**



**Fig. 7**



**Fig. 8**