



US00D786399S

(12) **United States Design Patent**  
**Brixius**

(10) **Patent No.:** **US D786,399 S**

(45) **Date of Patent:** **\*\* May 9, 2017**

(54) **FILTER HOUSING**  
(71) Applicant: **FUHR GMBH**, Klein-Winternheim  
(DE)  
(72) Inventor: **Simon Brixius**, Klein-Winternheim  
(DE)  
(\*\*) Term: **15 Years**

5,486,288 A \* 1/1996 Stanford ..... B01D 35/153  
210/235  
5,507,945 A \* 4/1996 Hansen ..... B01F 1/0033  
137/268  
6,048,455 A \* 4/2000 Janik ..... B01D 27/06  
210/232  
D455,194 S \* 4/2002 Kurth ..... D23/209  
D511,558 S \* 11/2005 Lindtveit ..... D23/209  
D527,439 S \* 8/2006 Liu ..... D23/209  
D529,126 S \* 9/2006 Miller ..... D23/209  
D567,898 S \* 4/2008 Miller ..... D23/209  
7,441,664 B2 \* 10/2008 Tanner ..... B01D 35/30  
210/436  
D582,002 S \* 12/2008 Suthmann ..... D23/209  
D610,649 S \* 2/2010 Kulikov ..... D23/209  
D610,650 S \* 2/2010 Kulikov ..... D23/209  
D611,121 S \* 3/2010 Kulikov ..... D23/209  
D656,578 S \* 3/2012 Sherman ..... D23/209  
D656,579 S \* 3/2012 Sherman ..... D23/209  
D722,132 S \* 2/2015 Foohey ..... D23/209  
D762,813 S \* 8/2016 Lu ..... D23/209

(21) Appl. No.: **35/500,596**

(22) Filed: **Aug. 13, 2015**

(80) **Hague Agreement Data**

Int. Filing Date: **Aug. 13, 2015**  
Int. Reg. No.: **DM/087614**  
Int. Reg. Date: **Aug. 13, 2015**  
Int. Reg. Pub. Date: **Feb. 19, 2016**

\* cited by examiner

*Primary Examiner* — Richard E Chilcot

(51) **LOC (10) Cl.** ..... **23-01**

(52) **U.S. Cl.**  
CPC ..... **B01D 35/30** (2013.01)  
USPC ..... **D23/209**

(57) **CLAIM**

The ornamental design for a filter housing, as shown and described.

(58) **Field of Classification Search**  
USPC ..... D23/207–209; 210/232, 335–338,  
210/435–443  
CPC ..... B01D 35/30; B01D 35/306  
See application file for complete search history.

**DESCRIPTION**

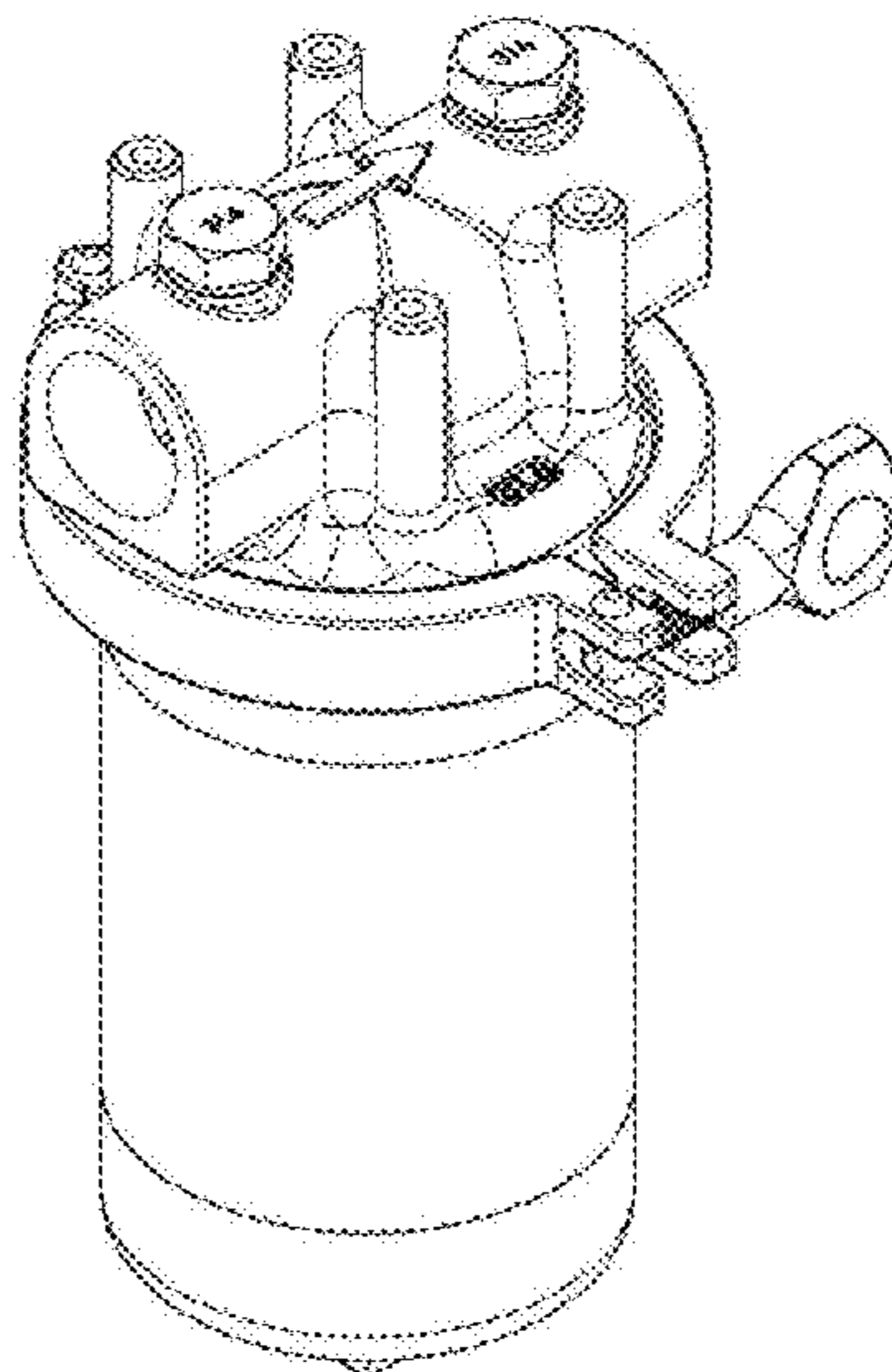
(56) **References Cited**

U.S. PATENT DOCUMENTS

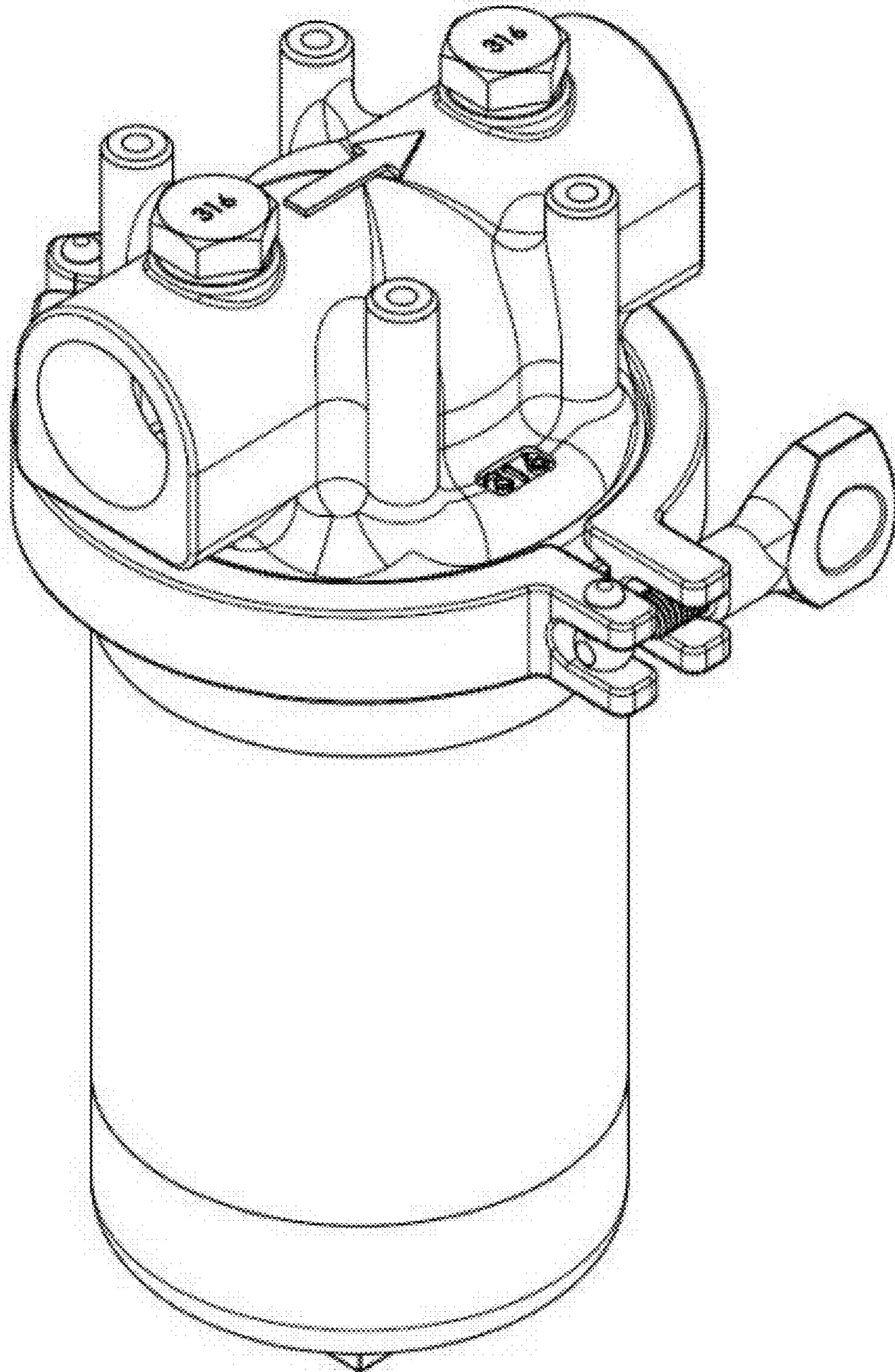
D199,075 S \* 9/1964 Kudlaty ..... D23/209  
D199,139 S \* 9/1964 Kudlaty ..... D23/209  
4,904,382 A \* 2/1990 Thomsen ..... B01D 35/153  
210/236  
D315,013 S \* 2/1991 Petrucci ..... D23/209  
D317,040 S \* 5/1991 Petrucci ..... D23/209

- 1. Filter housing
- 1.1 : Perspective
- 1.2 : Perspective
- 1.3 : Left
- 1.4 : Right
- 1.5 : Front
- 1.6 : Back
- 1.7 : Top
- 1.8 : Bottom
- 1.9 : Perspective

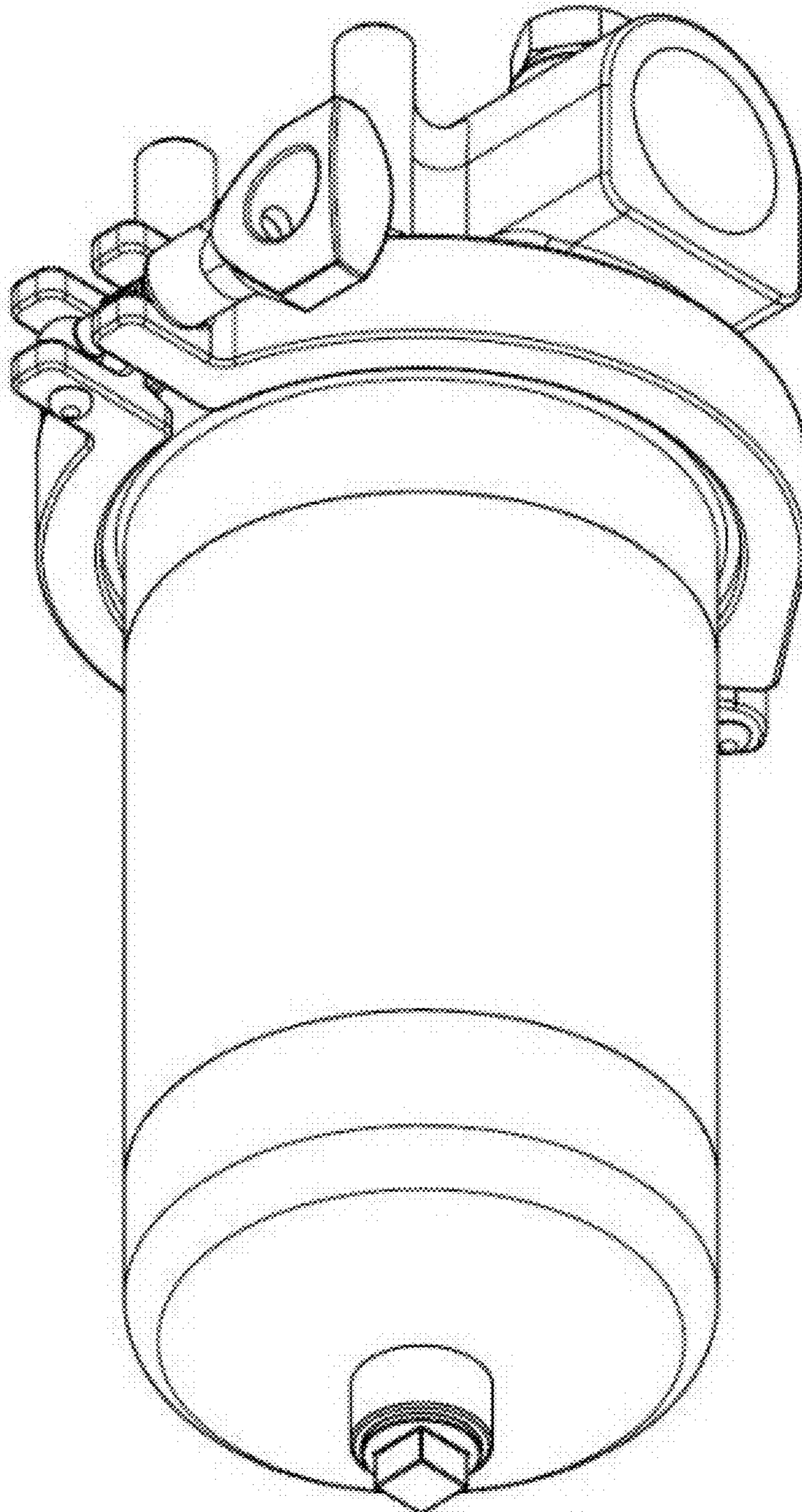
**1 Claim, 9 Drawing Sheets**



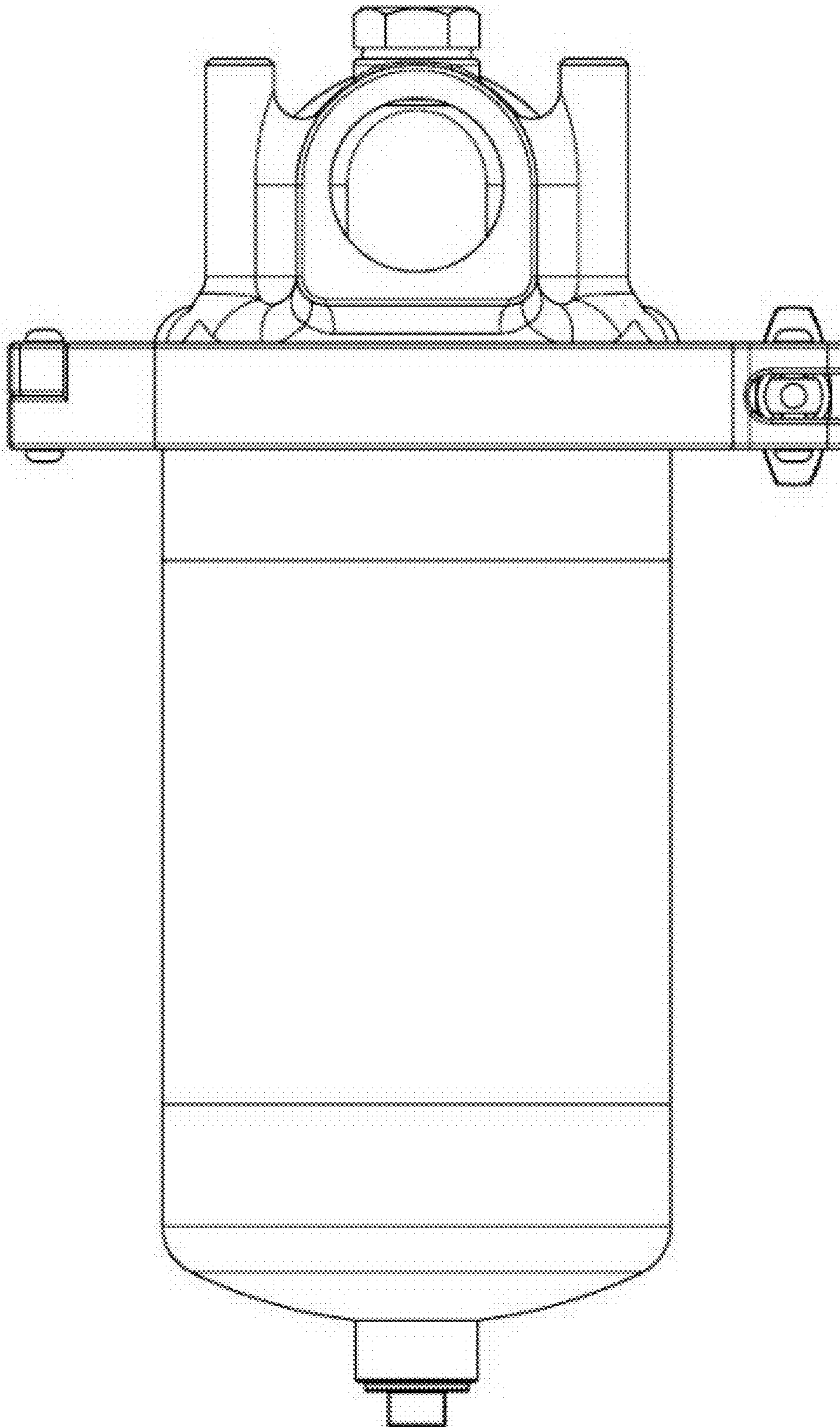
# 1.1



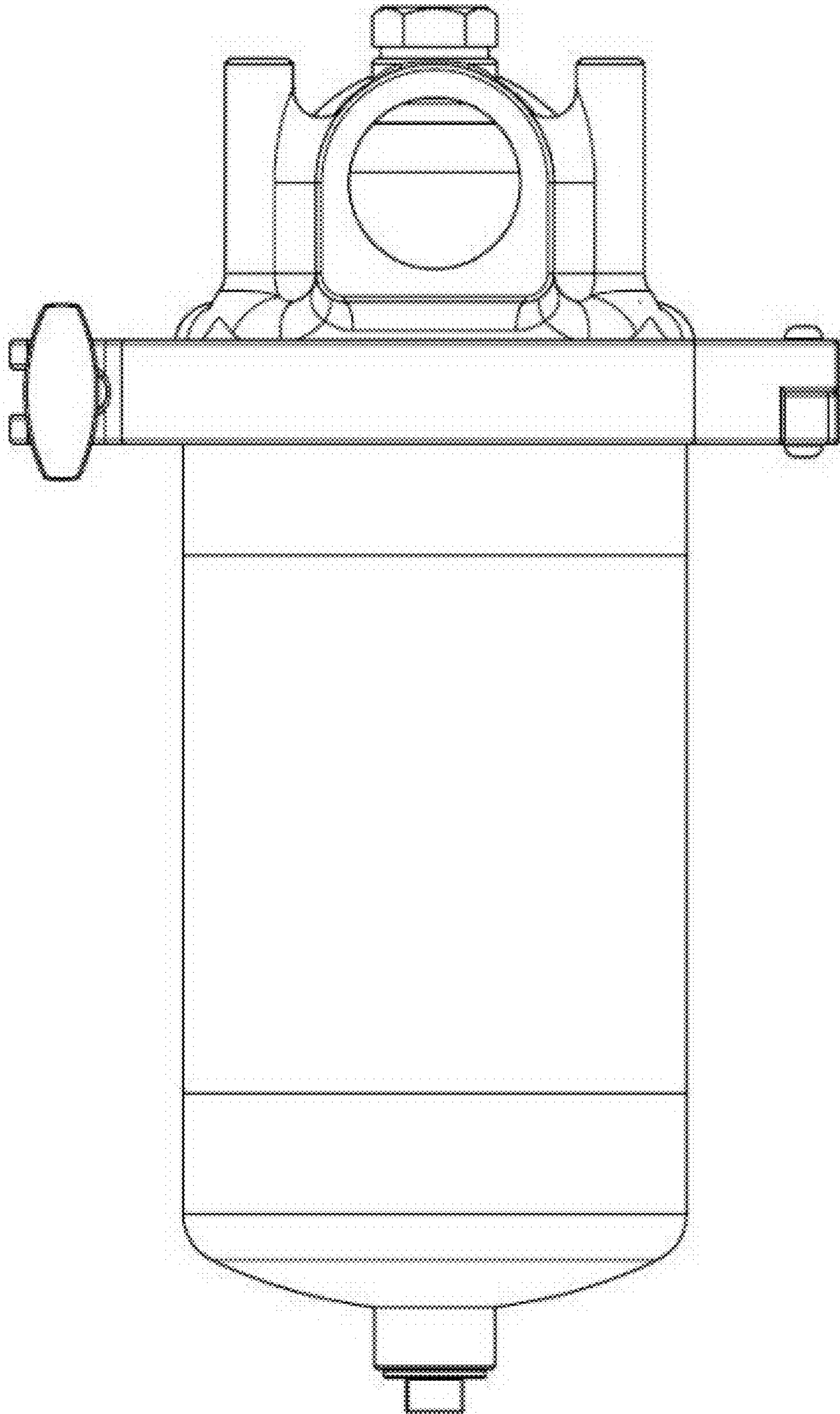
# 1.2



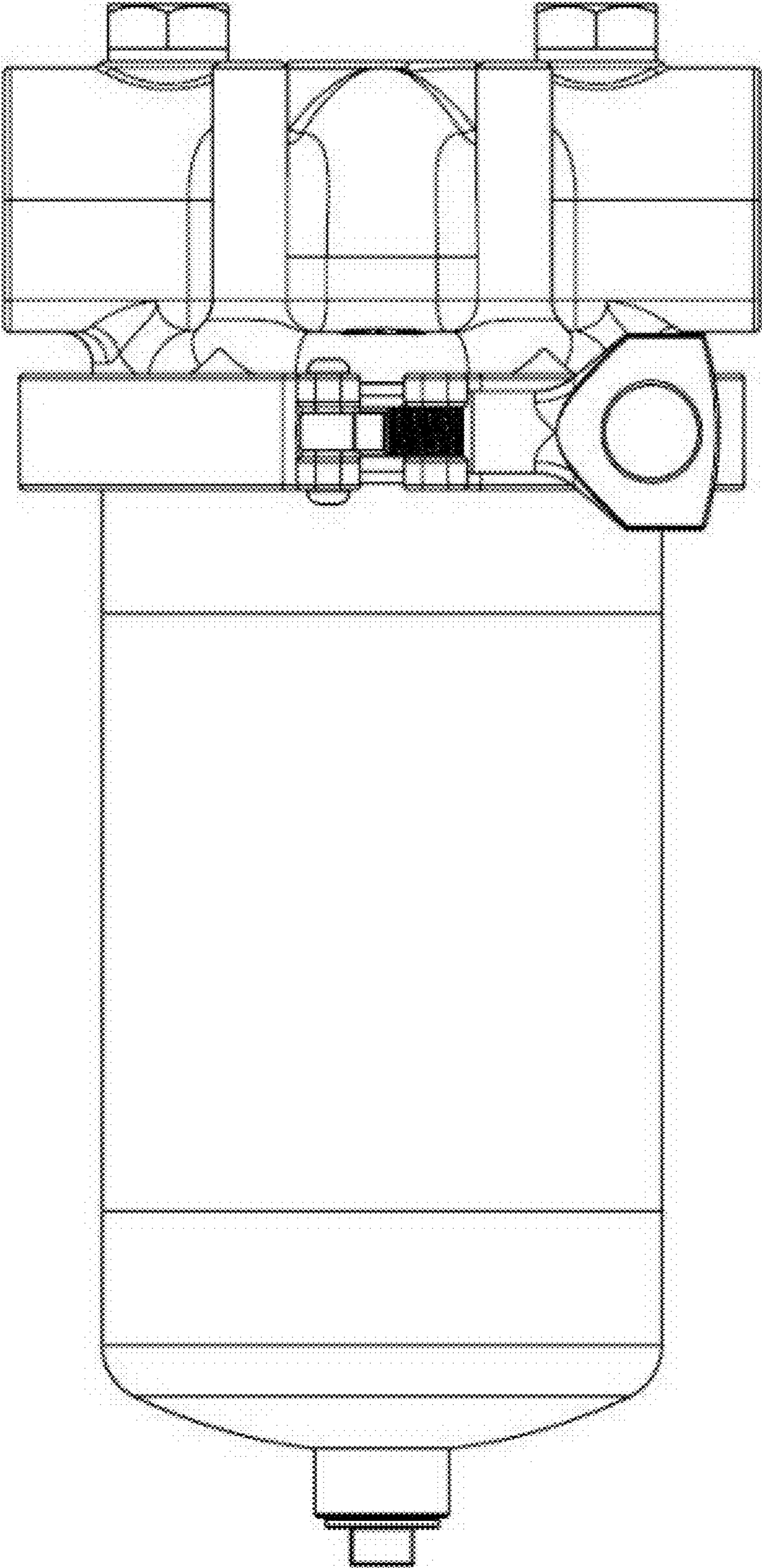
# 1.3



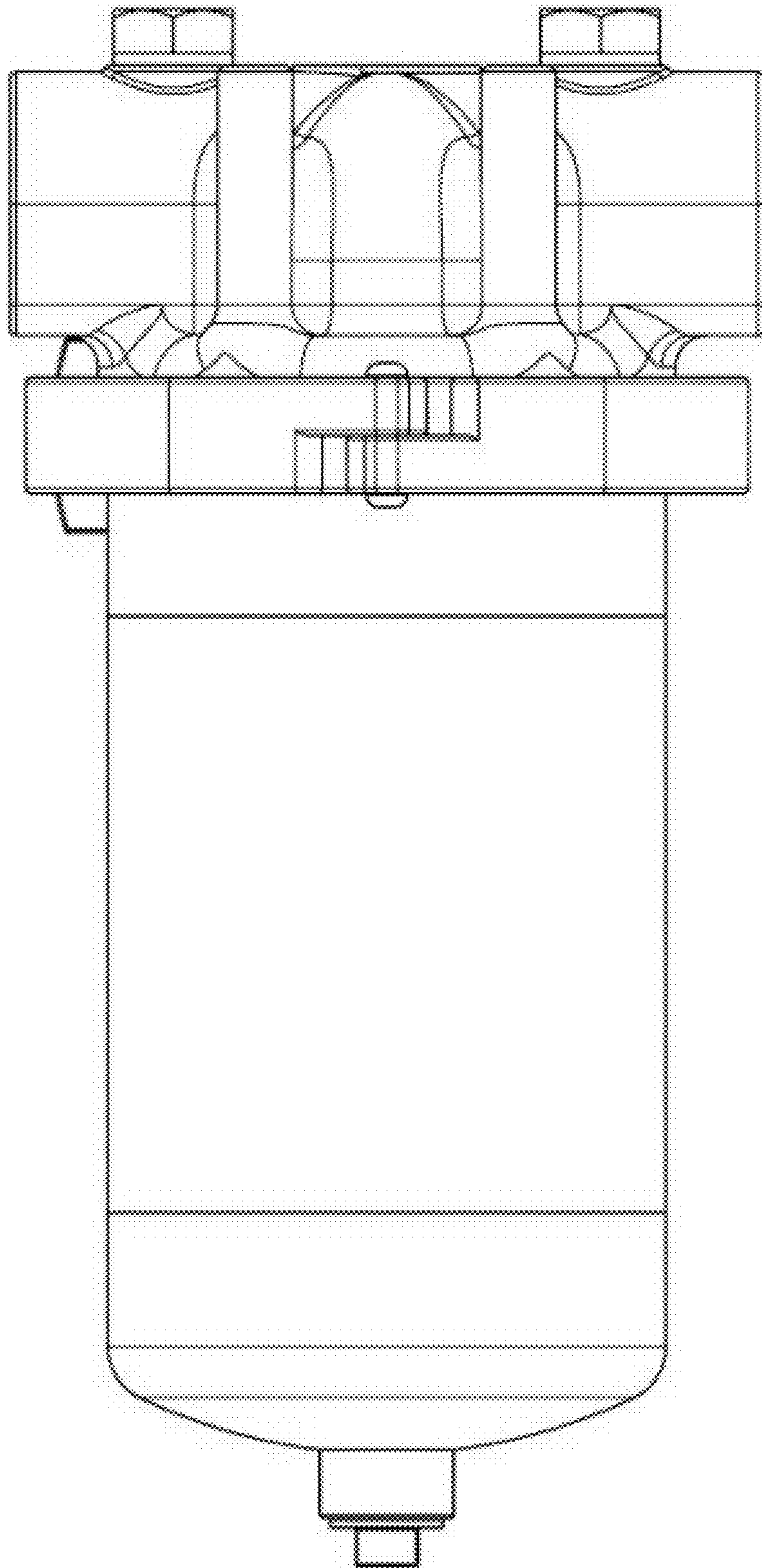
**1.4**



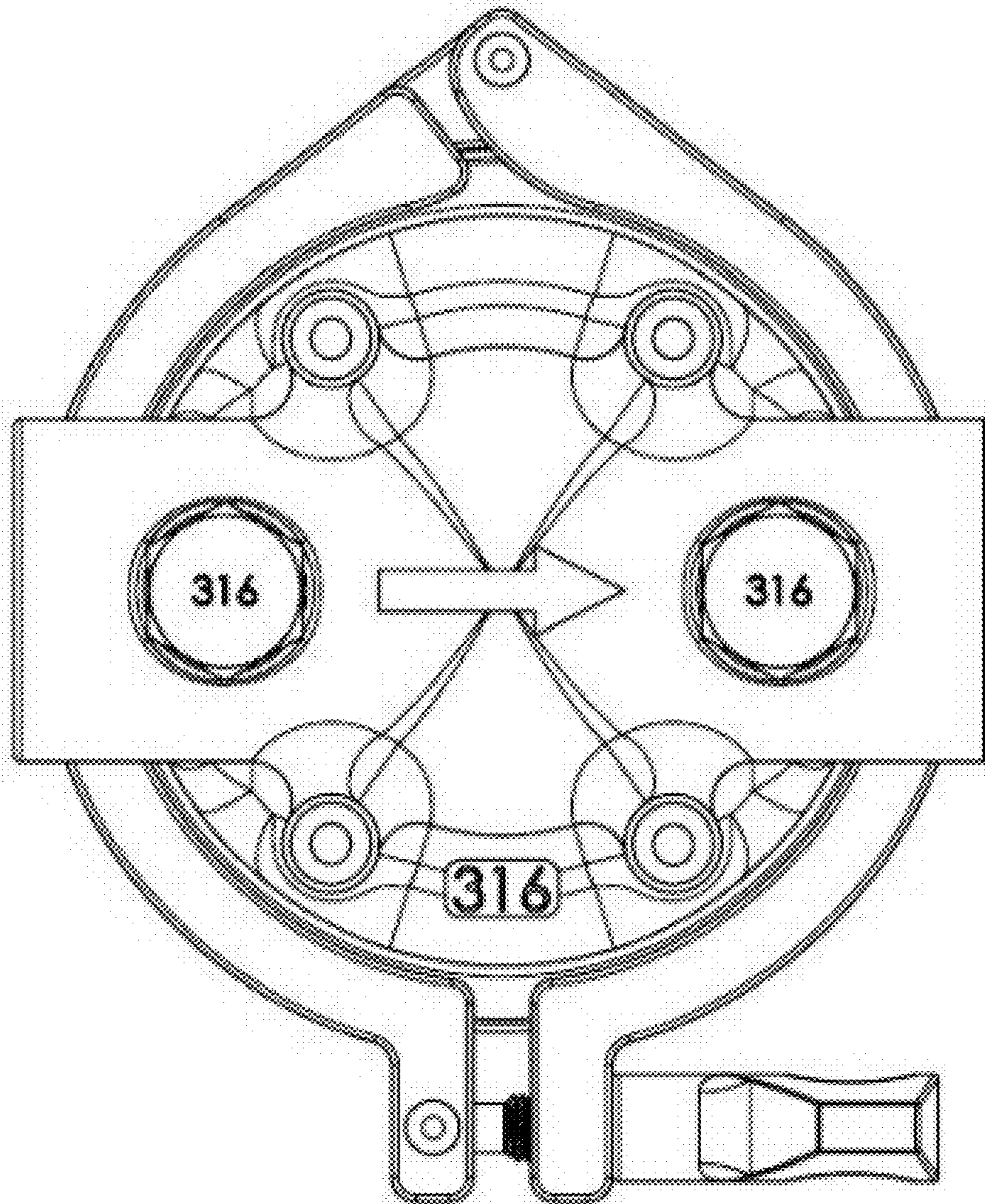
1.5



# 1.6

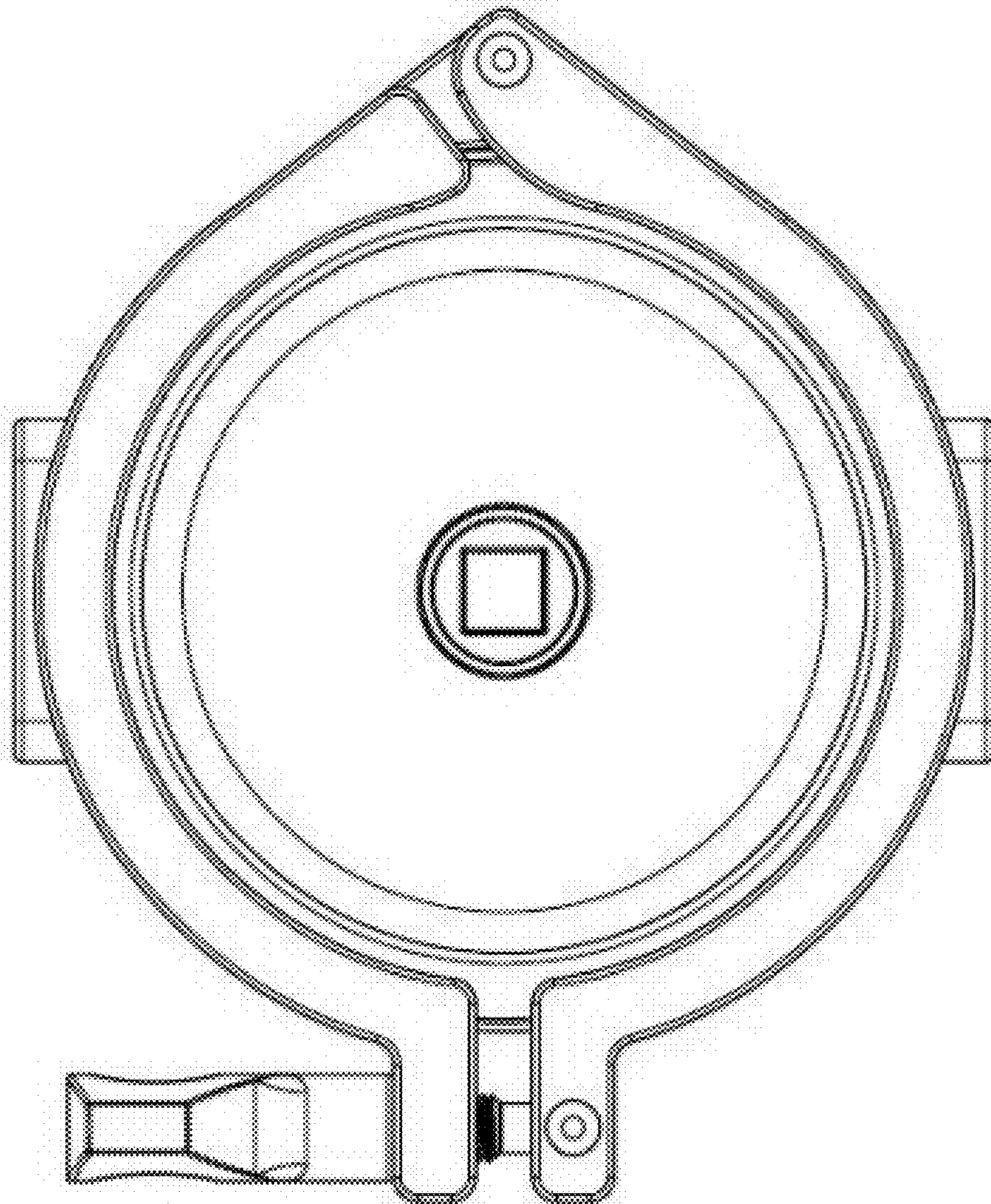


**1.7**





**1.8**



**1.9**

