



US00D786396S

(12) **United States Design Patent**
Frenal et al.

(10) **Patent No.:** **US D786,396 S**

(45) **Date of Patent:** **** May 9, 2017**

- (54) **GAS CYLINDER CAP**
- (71) Applicant: **L’Air Liquide, Société Anonyme pour l’Etude et l’Exploitation des Procédés Georges Claude, Paris (FR)**
- (72) Inventors: **Antoine Frenal, Versailles (FR); Olivier Ondo, Rosny sur Seine (FR); Stéphane Etienne, Draveil (FR); Alexandre Vanghelder, Everux (FR); Antoine Gibert, Paris (FR)**
- (73) Assignee: **L’Air Liquide, Société Anonyme pour l’Etude et l’Exploitation des Procédés Georges Claude, Paris (FR)**
- (**) Term: **15 Years**

- 3,185,336 A * 5/1965 Goss F16K 1/307
220/725
- D201,962 S * 8/1965 Hammesfahr D23/206
- D204,822 S * 5/1966 Barker D23/206
- D287,265 S * 12/1986 Edwards D23/206
- 4,718,569 A * 1/1988 Swanson F17C 13/06
220/212
- 5,397,012 A * 3/1995 Tison B65D 47/0842
215/253
- 5,429,152 A * 7/1995 Van Straaten F17C 13/002
137/377
- 5,657,800 A * 8/1997 Campbell B09B 3/0058
141/286
- 6,941,964 B1 * 9/2005 Hess F16K 1/307
137/1
- 8,534,312 B2 * 9/2013 Burgess F17C 13/06
137/377
- D692,979 S * 11/2013 Quick D23/206
- D692,980 S * 11/2013 Quick D23/206
- D709,163 S * 7/2014 Deruntz D23/206

(Continued)

(21) Appl. No.: **29/549,140**

(22) Filed: **Dec. 18, 2015**

(30) **Foreign Application Priority Data**

Jun. 23, 2015 (EM) 002724732-0003

(51) **LOC (10) Cl.** **23-01**

(52) **U.S. Cl.**
USPC **D23/206**

(58) **Field of Classification Search**
USPC D23/206, 233; 137/377, 382, 68.14;
220/724–726, 582

CPC F16K 35/10; F17C 13/06
See application file for complete search history.

(56) **References Cited**

U.S. PATENT DOCUMENTS

- 1,552,979 A * 9/1925 Billings F17C 13/06
220/724
- 1,642,412 A * 9/1927 Farnsworth F16K 1/302
251/265

Primary Examiner — Robin V Webster

(74) *Attorney, Agent, or Firm* — Allen E. White

(57) **CLAIM**

The ornamental design for a gas cylinder cap, as shown and described.

DESCRIPTION

FIG. 1 is a side view of a gas cylinder cap in the closed position.

FIG. 2 is a side view of a gas cylinder cap.

FIG. 3 is a side view of a gas cylinder cap.

FIG. 4 is a side view of a gas cylinder cap in the open position.

FIG. 5 is a top view of a gas cylinder cap in the closed position.

FIG. 6 is an isometric view of a gas cylinder cap in the closed position; and,

FIG. 7 is an isometric view of a gas cylinder cap in the closed position.

1 Claim, 7 Drawing Sheets



(56)

References Cited

U.S. PATENT DOCUMENTS

D768,266 S * 10/2016 Pareek D23/233
9,506,577 B2 * 11/2016 Harris F16K 17/366

* cited by examiner

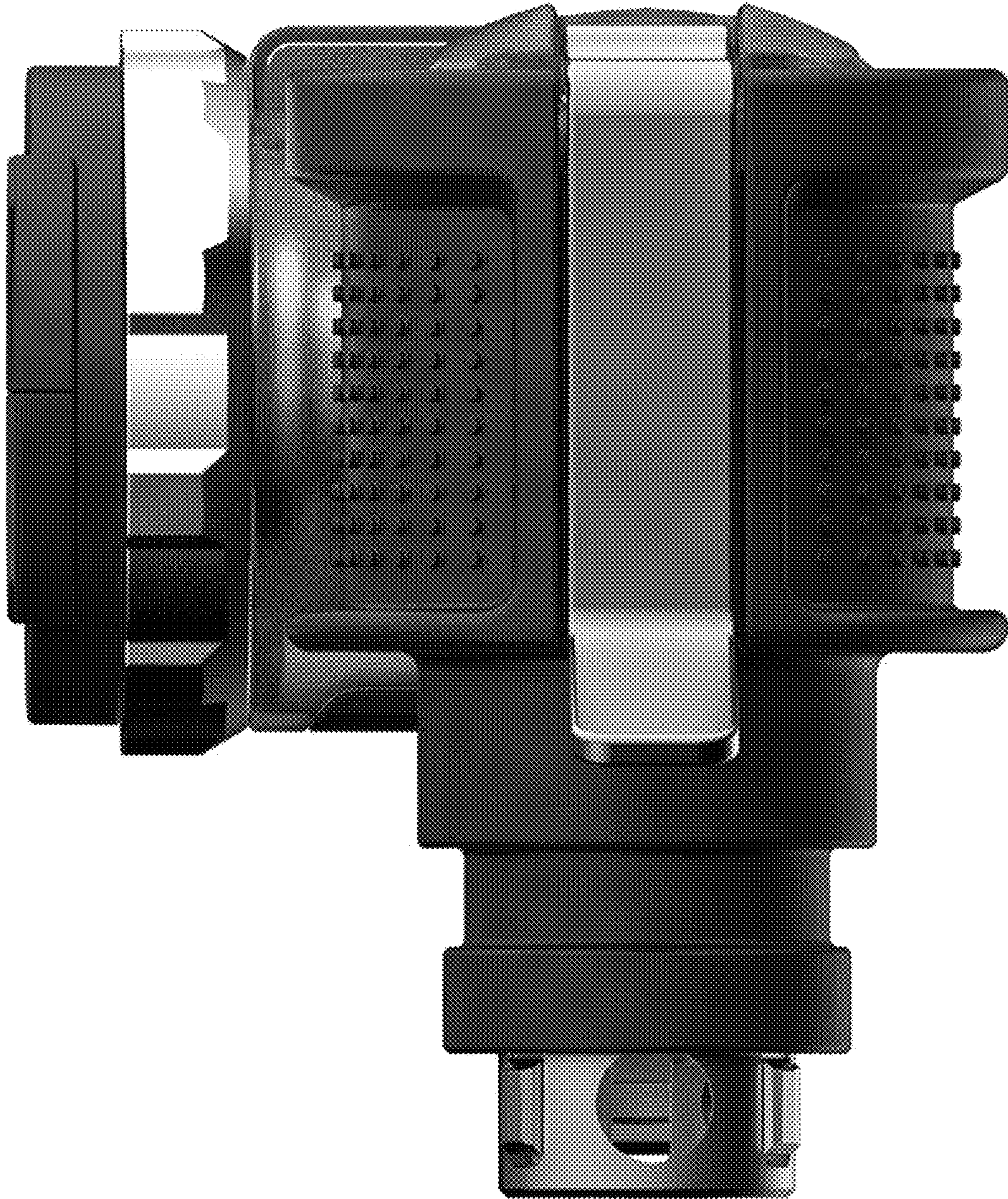


FIG. 1



FIG. 2

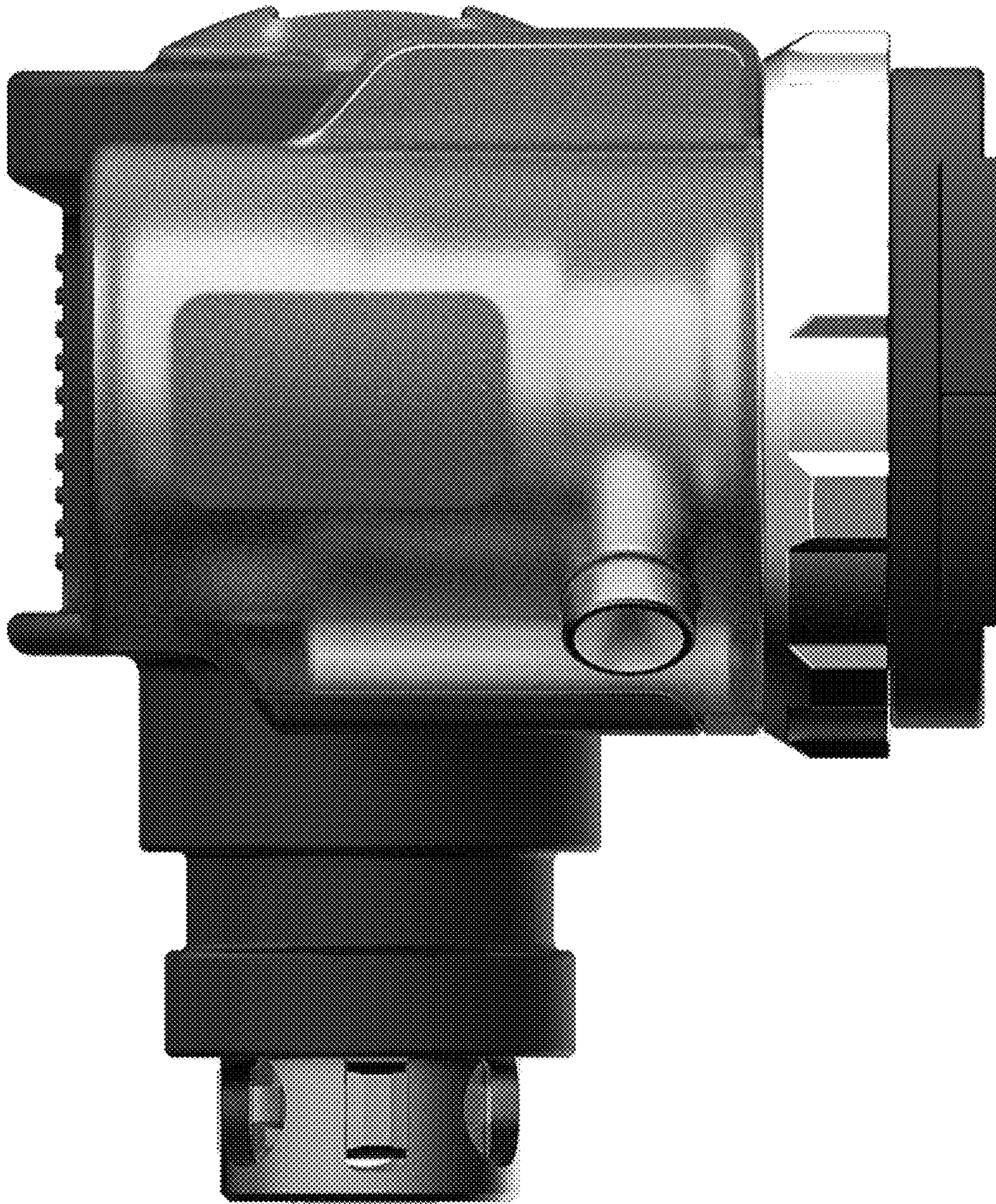


FIG. 3



FIG. 4

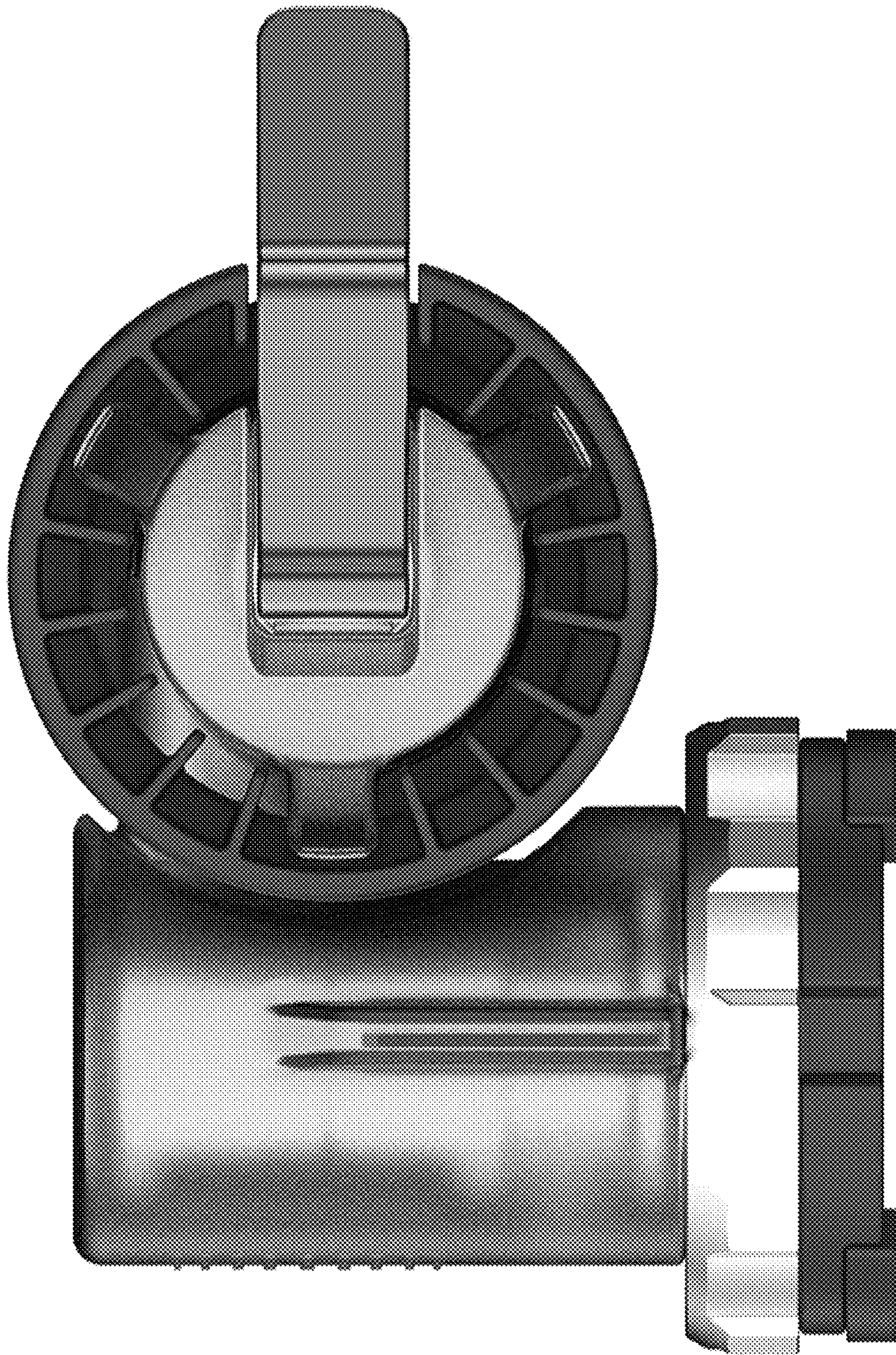


FIG. 5

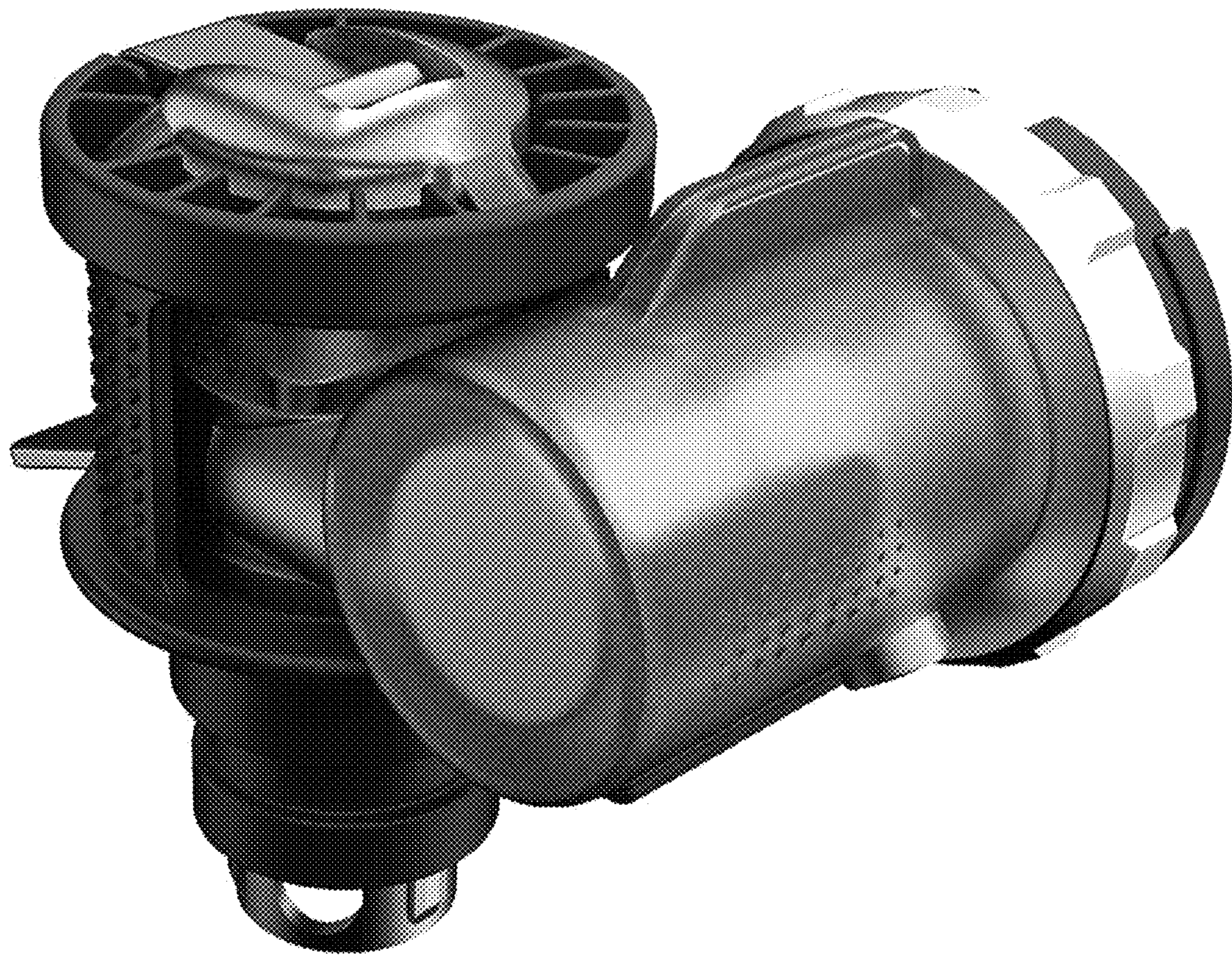


FIG. 6



FIG. 7