



US00D786395S

(12) **United States Design Patent**
Frenal et al.

(10) **Patent No.:** **US D786,395 S**

(45) **Date of Patent:** **** May 9, 2017**

- (54) **GAS CYLINDER CAP**
- (71) Applicant: **L’Air Liquide, Société Anonyme pour l’Etude et l’Exploitation des Procédés Georges Claude, Paris (FR)**
- (72) Inventors: **Antoine Frenal, Versailles (FR); Olivier Ondo, Rosny sur Seine (FR); Stéphane Etienne, Draveil (FR); Alexandre Vanghelder, Evreux (FR); Antoine Gibert, Paris (FR)**
- (73) Assignee: **L’Air Liquide, Société Anonyme pour l’Etude et l’Exploitation des Procédés Georges Claude, Paris (FR)**

D287,265 S *	12/1986	Edwards	D23/206
4,718,569 A *	1/1988	Swanson	F17C 13/06
				220/212
5,397,012 A *	3/1995	Tison	B65D 47/0842
				215/253
5,429,152 A *	7/1995	Van Straaten	F17C 13/002
				137/377
5,657,800 A *	8/1997	Campbell	B09B 3/0058
				141/286
6,941,964 B1 *	9/2005	Hess	F16K 1/307
				137/1
8,534,312 B2 *	9/2013	Burgess	F17C 13/06
				137/377
D692,979 S *	11/2013	Quick	D23/206
D692,980 S *	11/2013	Quick	D23/206
D709,163 S *	7/2014	Deruntz	D23/206
D768,266 S *	10/2016	Pareek	D23/233
9,506,577 B2 *	11/2016	Harris	F16K 17/366

(**) Term: **15 Years**

(21) Appl. No.: **29/549,132**

(22) Filed: **Dec. 18, 2015**

(51) **LOC (10) Cl.** **23-01**

(52) **U.S. Cl.**
USPC **D23/206**

(58) **Field of Classification Search**
USPC D23/206, 233; 137/377, 382, 68.14;
220/724–726, 582
CPC F16K 35/10; F17C 13/06
See application file for complete search history.

(56) **References Cited**

U.S. PATENT DOCUMENTS

1,552,979 A *	9/1925	Billings	F17C 13/06
				220/724
1,642,412 A *	9/1927	Farnsworth	F16K 1/302
				251/265
3,185,336 A *	5/1965	Goss	F16K 1/307
				220/725
D201,962 S *	8/1965	Hammesfahr	D23/206
D204,822 S *	5/1966	Barker	D23/206

* cited by examiner

Primary Examiner — Robin V Webster

(74) *Attorney, Agent, or Firm* — Allen E. White

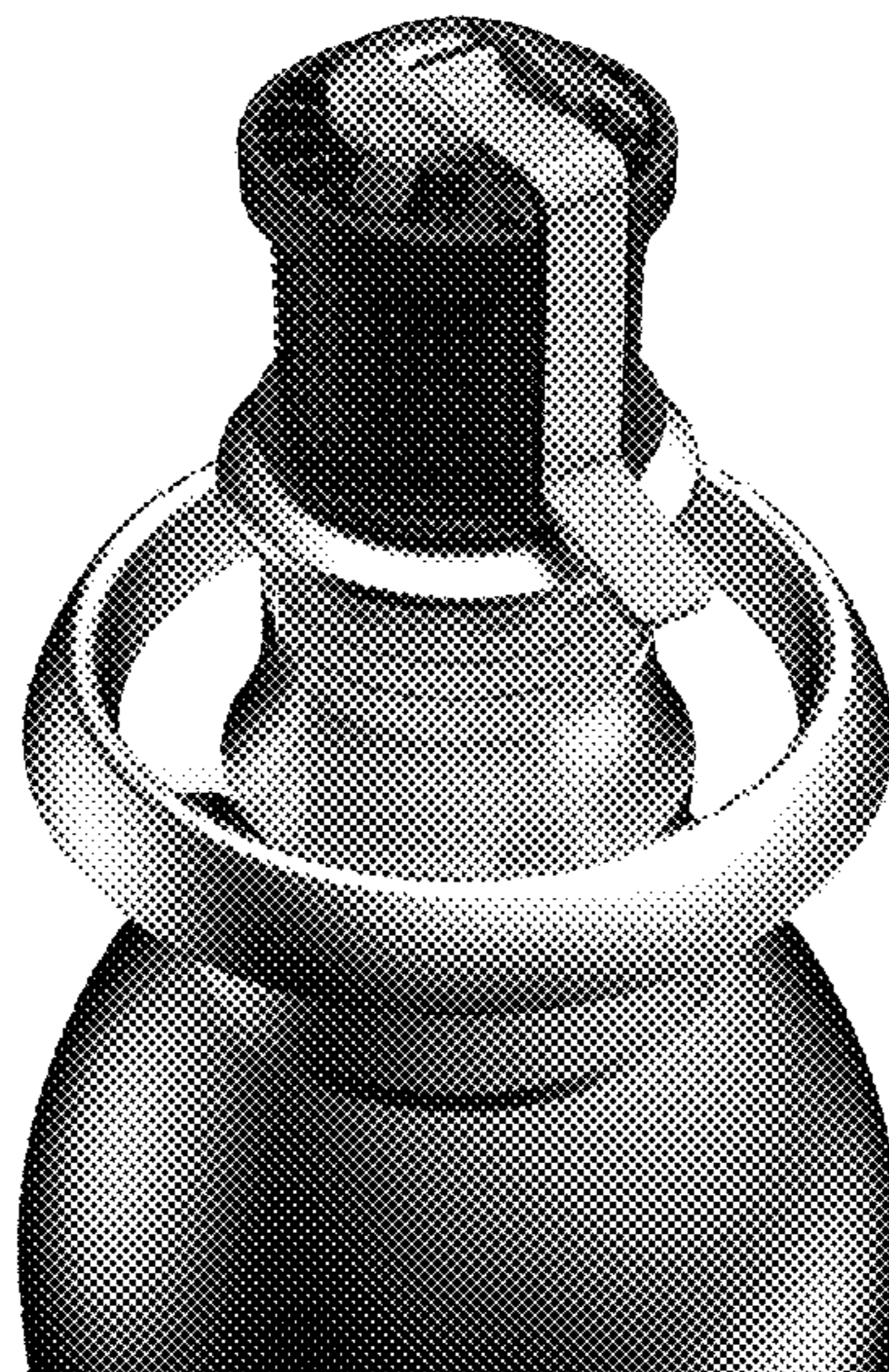
(57) **CLAIM**

The ornamental design for a gas cylinder cap, as shown and described.

DESCRIPTION

FIG. 1 is a front side view of a gas cylinder cap in the closed position.
 FIG. 2 is a rear side view of a gas cylinder cap in the open position.
 FIG. 3 is a side view of a gas cylinder cap.
 FIG. 4 is a side view of a gas cylinder cap.
 FIG. 5 is a top view of a gas cylinder cap in the closed position.
 FIG. 6 is an isometric view of a gas cylinder cap in the closed position; and,
 FIG. 7 is an isometric view of a gas cylinder cap in the closed position.

1 Claim, 7 Drawing Sheets



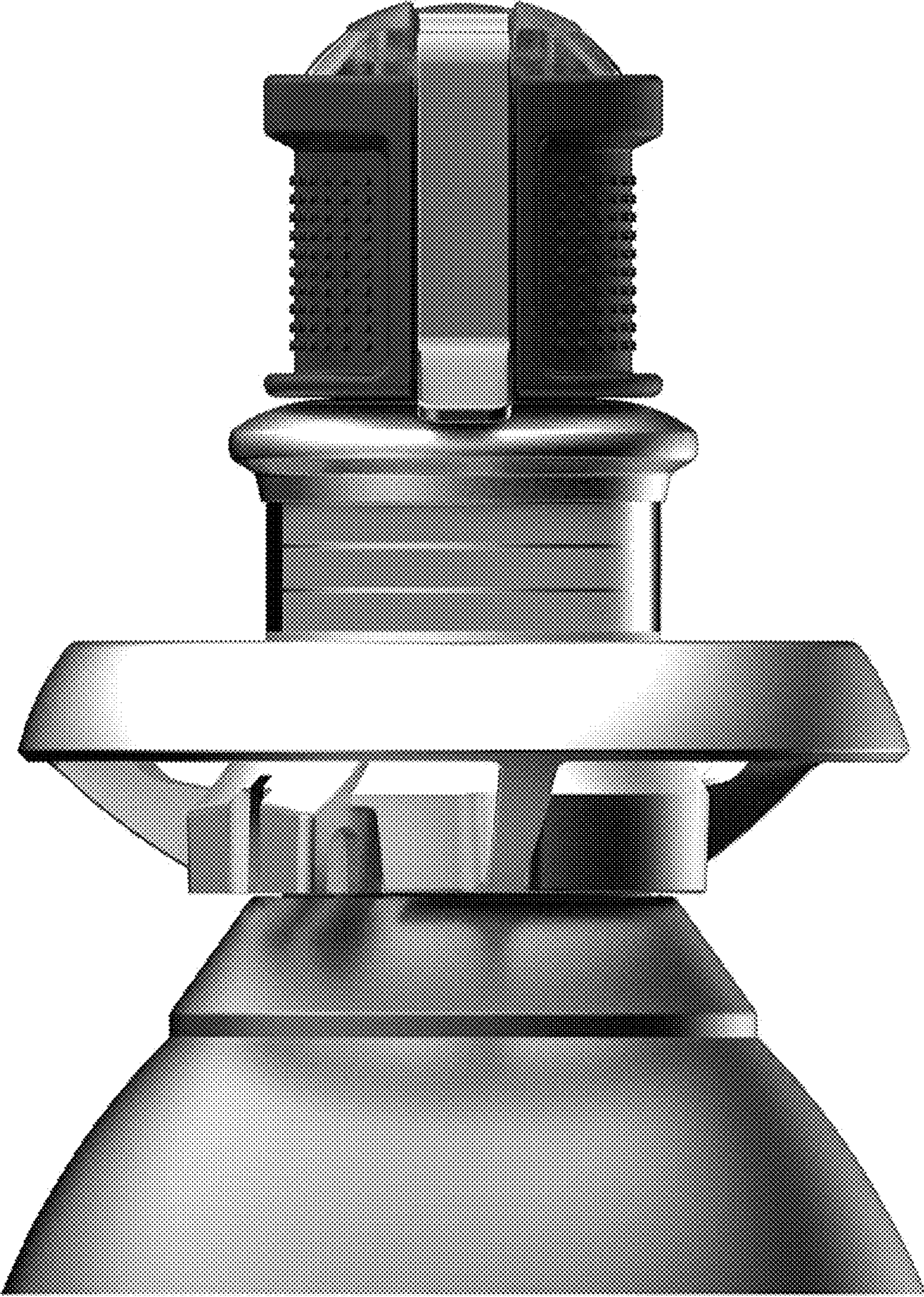


FIG. 1

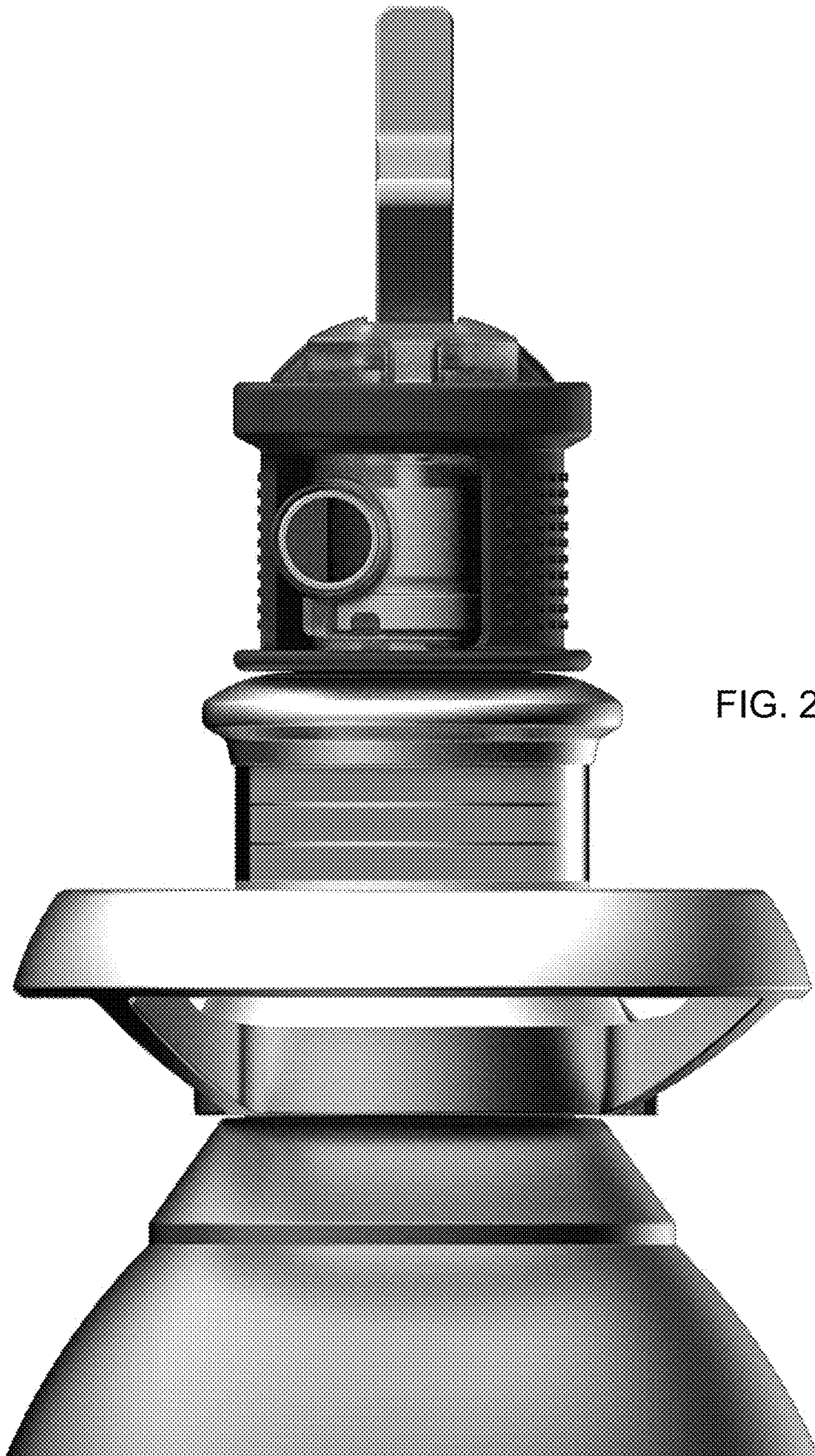


FIG. 2

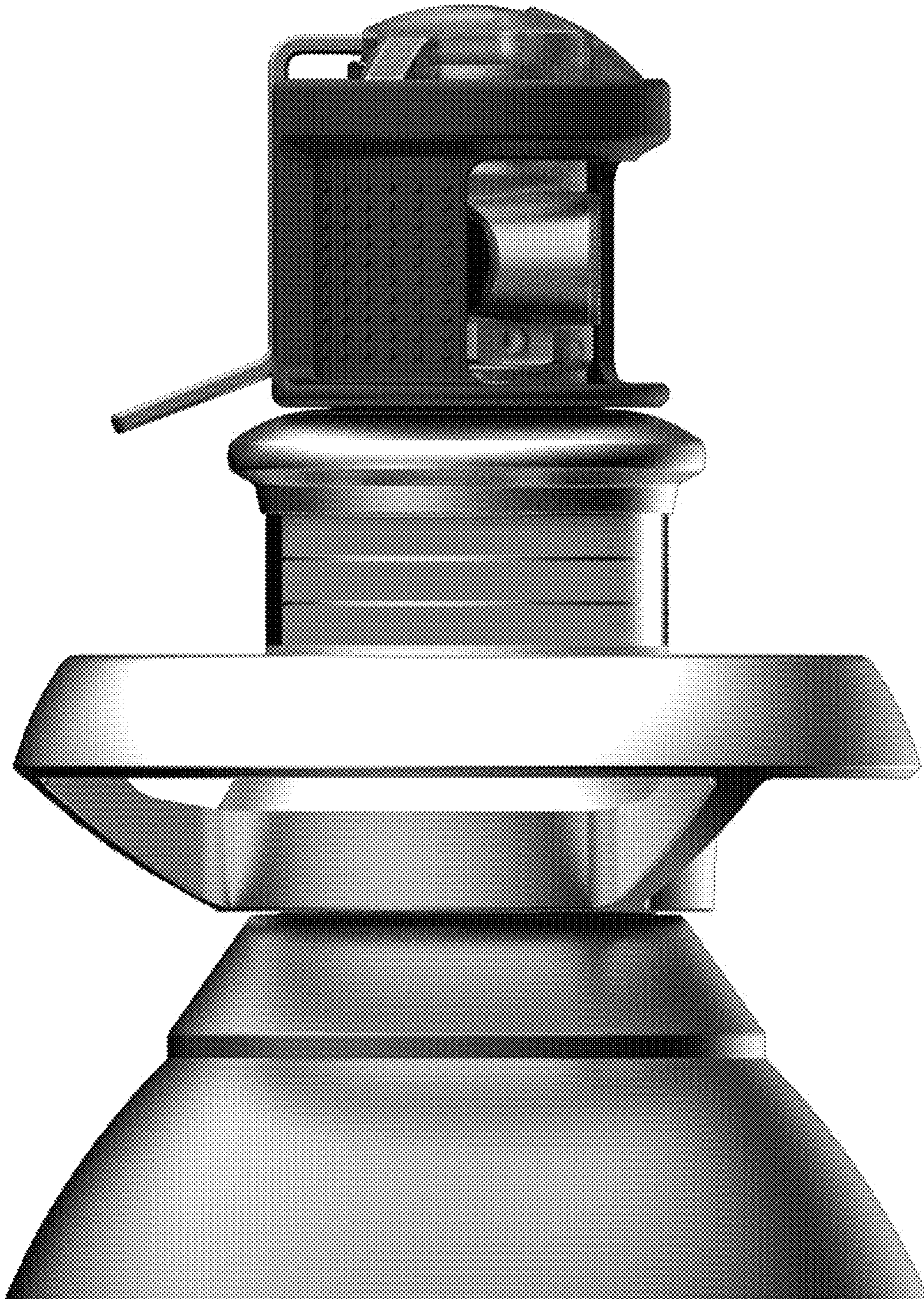


FIG. 3



FIG. 4



FIG. 5



FIG. 6



FIG. 7