



US00D786392S

(12) **United States Design Patent**
Nadler

(10) **Patent No.:** **US D786,392 S**

(45) **Date of Patent:** **** May 9, 2017**

(54) **FISH HOOK STOPPER**

(71) Applicant: **Donald S. Nadler**, Independence, MO
(US)

(72) Inventor: **Donald S. Nadler**, Independence, MO
(US)

(**) Term: **15 Years**

(21) Appl. No.: **29/534,720**

(22) Filed: **Jul. 30, 2015**

(51) **LOC (10) Cl.** **22-05**

(52) **U.S. Cl.**
USPC **D22/144**

(58) **Field of Classification Search**
USPC D22/126, 127, 128, 129, 130, 131, 132,
D22/133, 135, 144
CPC A01K 85/00; A01K 85/01; A01K 85/02;
A01K 85/10; A01K 85/16; A01K 85/18
See application file for complete search history.

(56) **References Cited**

U.S. PATENT DOCUMENTS

D364,444 S * 11/1995 DeCosta D22/129
D493,508 S * 7/2004 Kierst D22/129
D550,322 S * 9/2007 Stacey D22/128
D630,293 S * 1/2011 Roberts D22/130

D668,734 S * 10/2012 Dove D22/126
D684,236 S * 6/2013 Rago D22/129
D738,988 S * 9/2015 Ingram D22/129
D745,633 S * 12/2015 Rago D22/129
D759,783 S * 6/2016 Tussey, III D22/144

* cited by examiner

Primary Examiner — Manpreet Matharu

Assistant Examiner — Suzanne Tisdell

(74) *Attorney, Agent, or Firm* — Kutak Rock LLP; Bryan
P. Stanley

(57) **CLAIM**

The ornamental design for a fish hook stopper, as shown and
described.

DESCRIPTION

FIG. 1 is perspective view of a fish hook stopper of an
embodiment of the instant invention positioned on a fishing
line between a fishing rod and a hook.

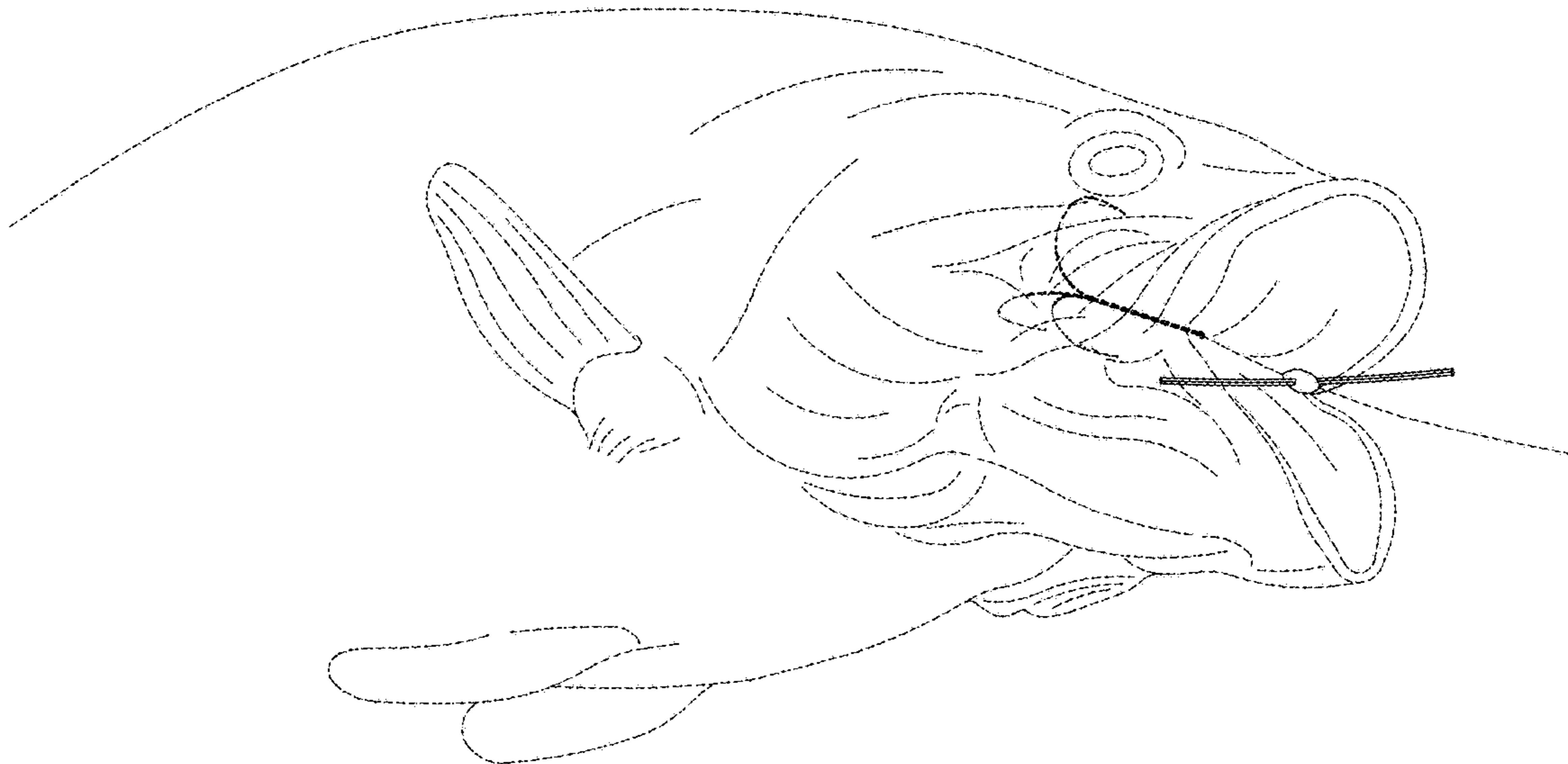
FIG. 2 is a perspective view of the fish hook stopper of FIG.
1, showing the hook within the mouth of the fish.

FIG. 3 is a front elevation view of the fish hook stopper of
FIG. 1, with the rear view being a mirror image thereof.

FIG. 4 is a side elevation view of the fish hook stopper of
FIG. 1, with the opposing side view being a mirror image
there; and,

FIG. 5 is a top plan view of the fish hook stopper of FIG. 1,
with the bottom view being a mirror image thereof.

1 Claim, 3 Drawing Sheets



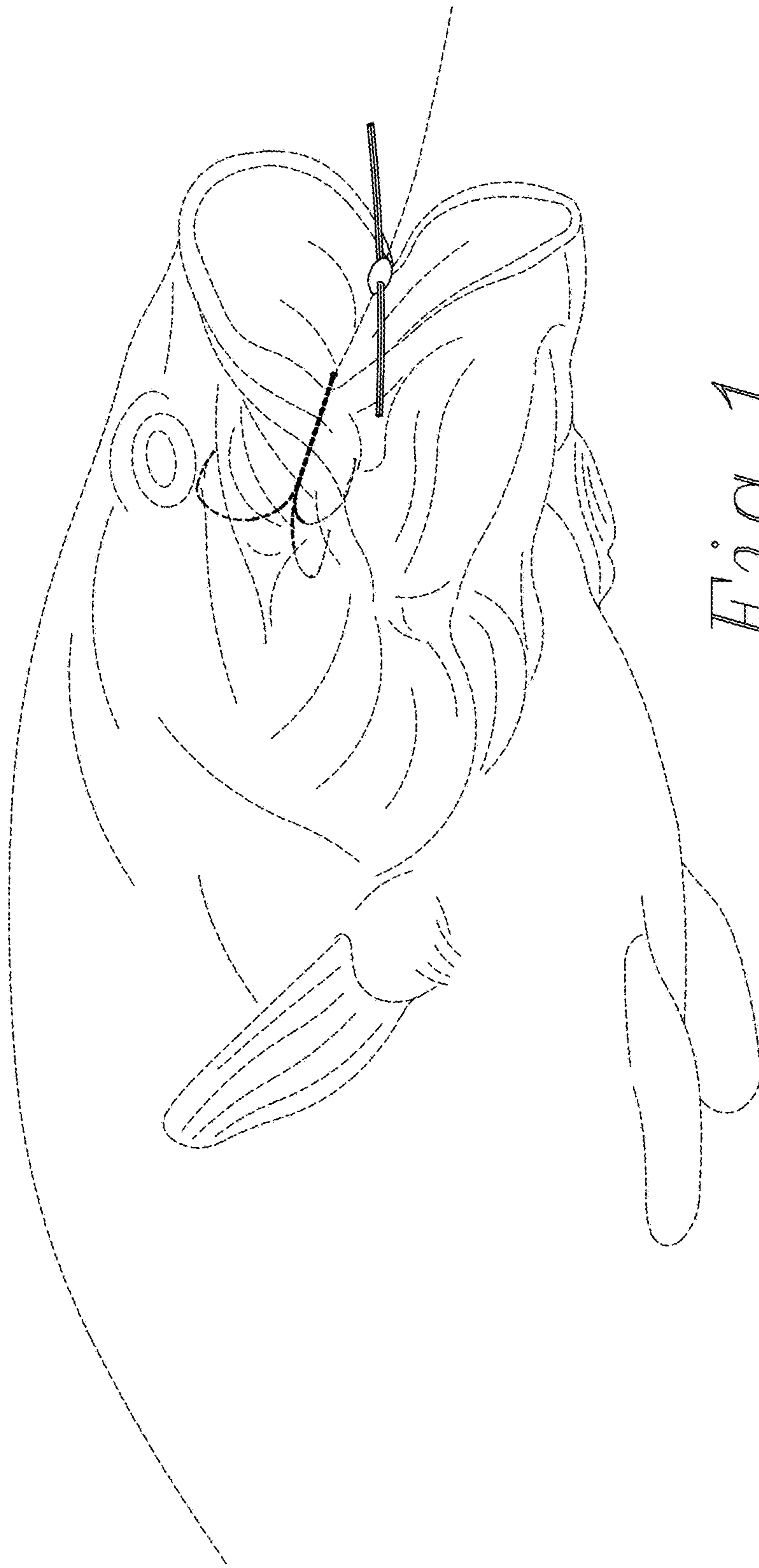


Fig. 1.

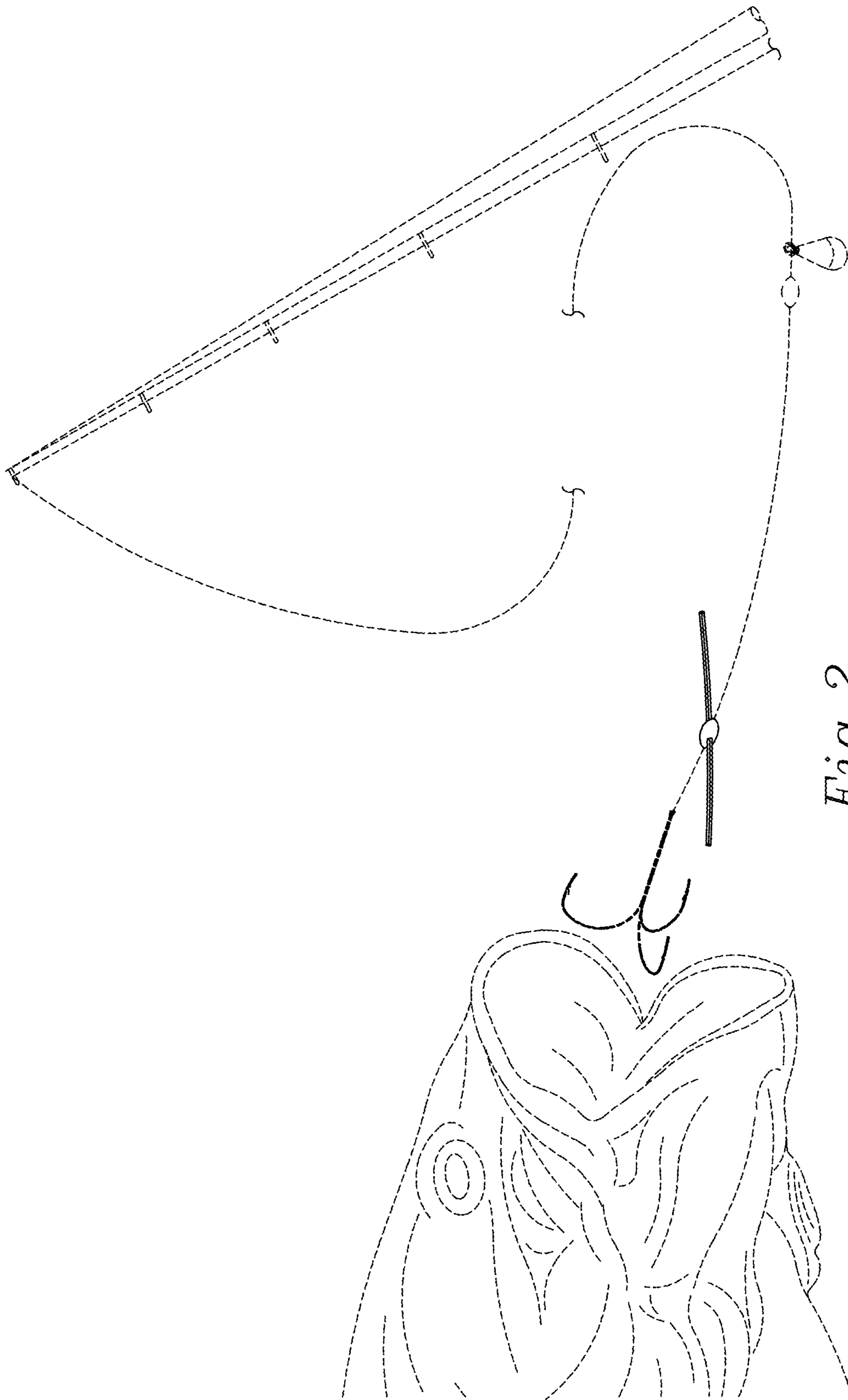


Fig. 2.

Fig. 4.

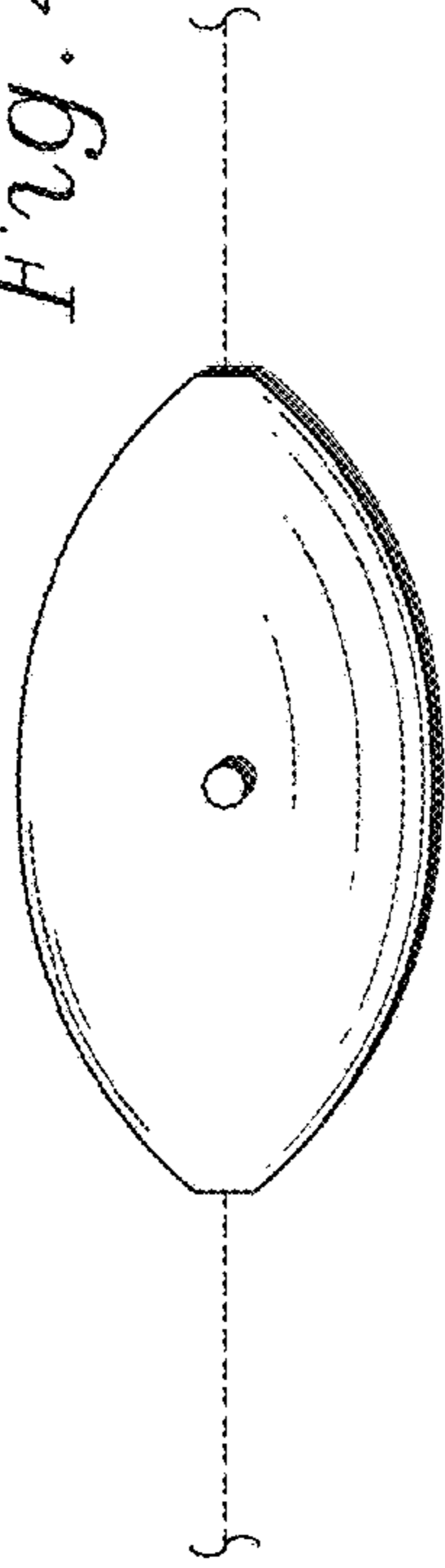


Fig. 3.

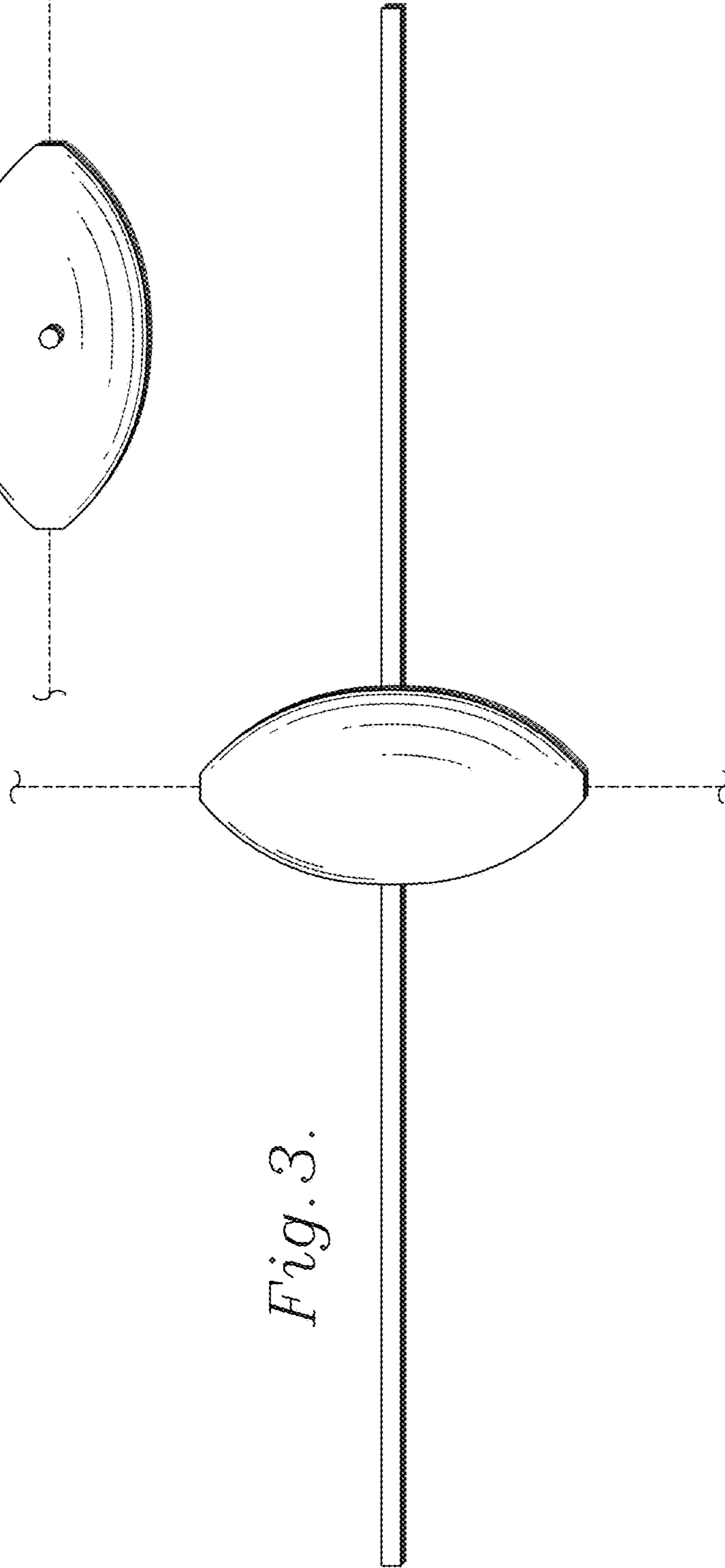


Fig. 5.

