



US00D786388S

(12) **United States Design Patent** (10) **Patent No.:** **US D786,388 S**
Pennington (45) **Date of Patent:** **** May 9, 2017**

(54) **STUN GUN CANE**
(71) Applicant: **Billy Pennington**, Little Rock, AR (US)
(72) Inventor: **Billy Pennington**, Little Rock, AR (US)
(**) Term: **15 Years**
(21) Appl. No.: **29/560,200**
(22) Filed: **Apr. 4, 2016**
(51) **LOC (10) Cl.** **22-02**
(52) **U.S. Cl.**
USPC **D22/117**
(58) **Field of Classification Search**
USPC D22/117; D3/5-17; 222/78-79, 175,
222/192, 402.1, 402.11; 135/65-75;
42/52
CPC A45B 1/00; A45B 3/00; A45B 3/04; A61H
3/00; A61H 3/02; A61H 2003/0211; F41C
9/04
See application file for complete search history.

(56) **References Cited**

U.S. PATENT DOCUMENTS

19,674 A *	3/1858	Beckwith	F41C 9/04
				42/52
518,546 A *	4/1894	Janke	F41C 9/04
				42/52
D325,297 S *	4/1992	Lipscomb	D22/117
D535,814 S *	1/2007	Siteman	D22/117
D555,350 S *	11/2007	Graves	D3/7
D611,114 S *	3/2010	Pennington	D22/117
D767,874 S *	10/2016	Berberian	D3/7

* cited by examiner

Primary Examiner — Catheri Oliver-Garcia
(74) *Attorney, Agent, or Firm* — Joe D. Calhoun

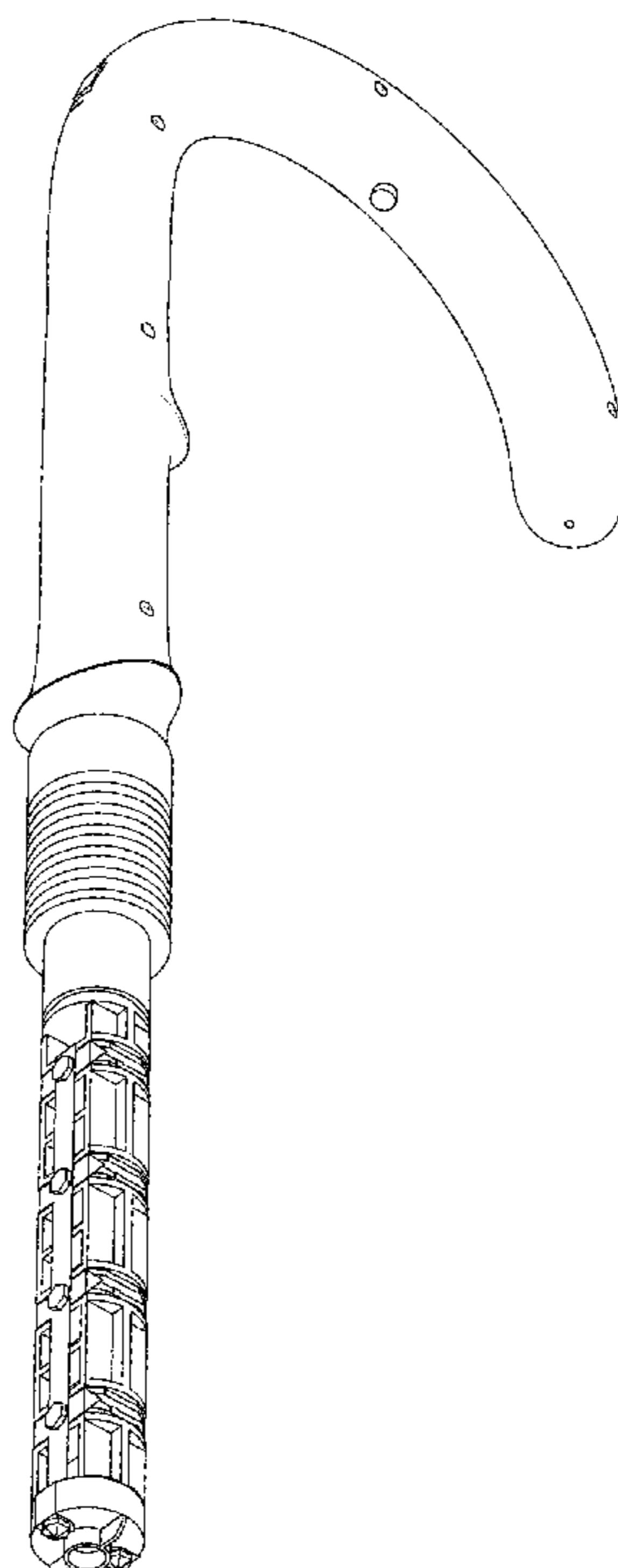
(57) **CLAIM**

I claim the ornamental design for a stun gun cane, as shown and described.

DESCRIPTION

FIG. 1 is a perspective view of a stun gun cane showing my new design.
FIG. 2 is a perspective view thereof, with its handle portion disassembled from its lower portion.
FIG. 3 is a an enlarged view of the handle portion depicted in FIG. 2.
FIG. 4 is a right side elevation view of the handle portion depicted in FIG. 3.
FIG. 5 is a left side elevation view of the handle portion depicted in FIG. 3.
FIG. 6 is a front side elevation view of the handle portion depicted in FIG. 3.
FIG. 7 is a rear side elevation view of the handle portion depicted in FIG. 3.
FIG. 8 is a top plan view of the handle portion depicted in FIG. 3; and,
FIG. 9 is a bottom plan view of handle portion depicted in FIG. 3.
The broken lines shown in the drawings are included for the purpose of illustrating portions of the stun gun cane that form no part of the claimed design.

1 Claim, 7 Drawing Sheets



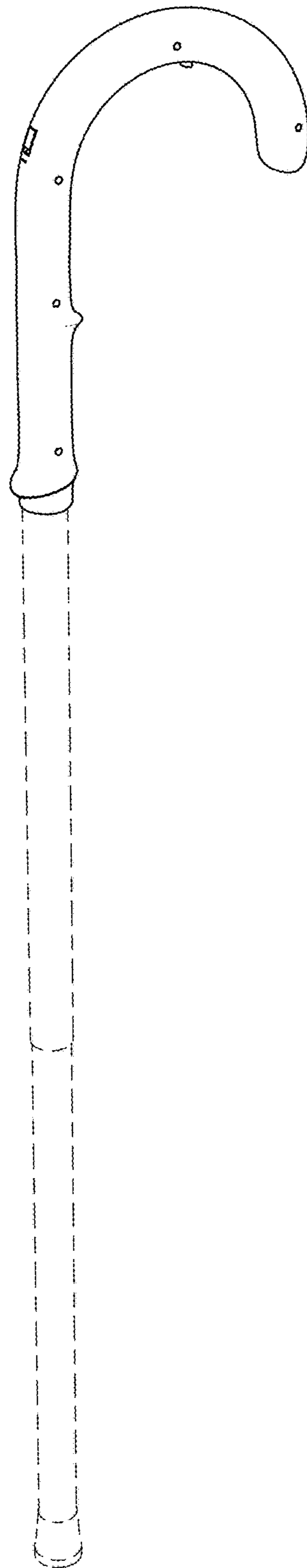


FIG. 1

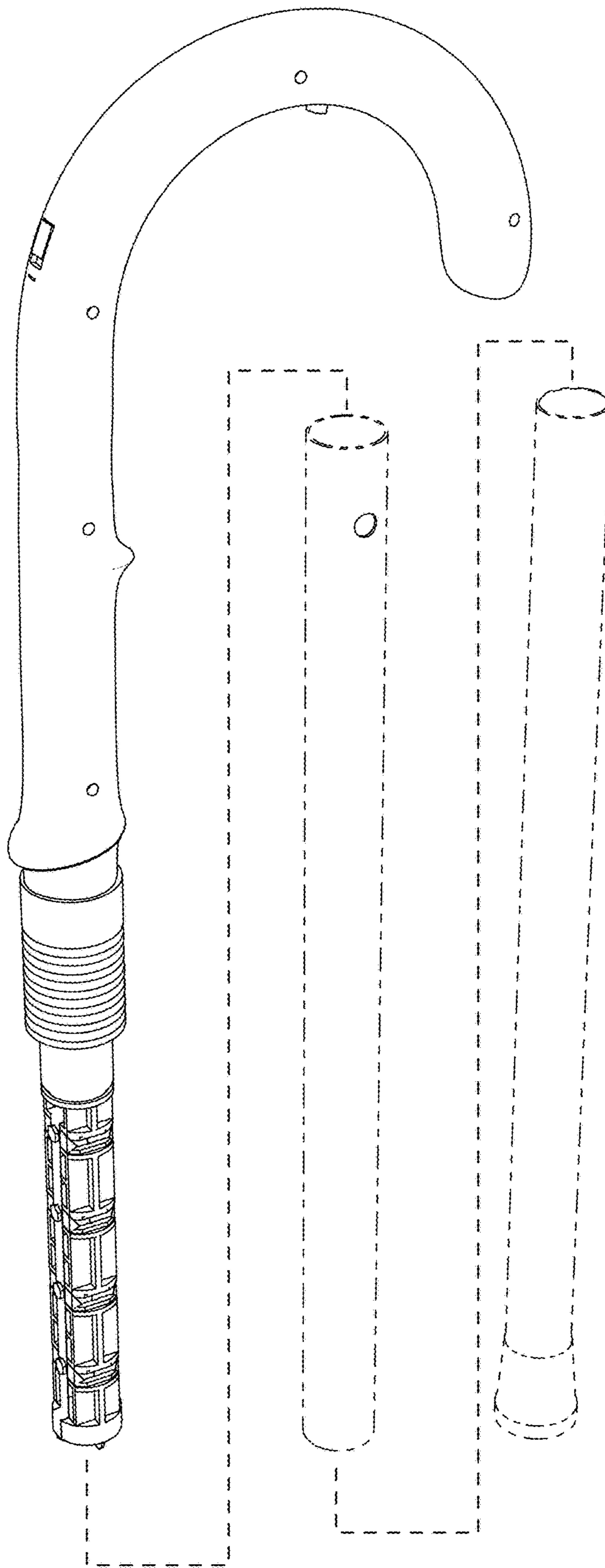


FIG. 2

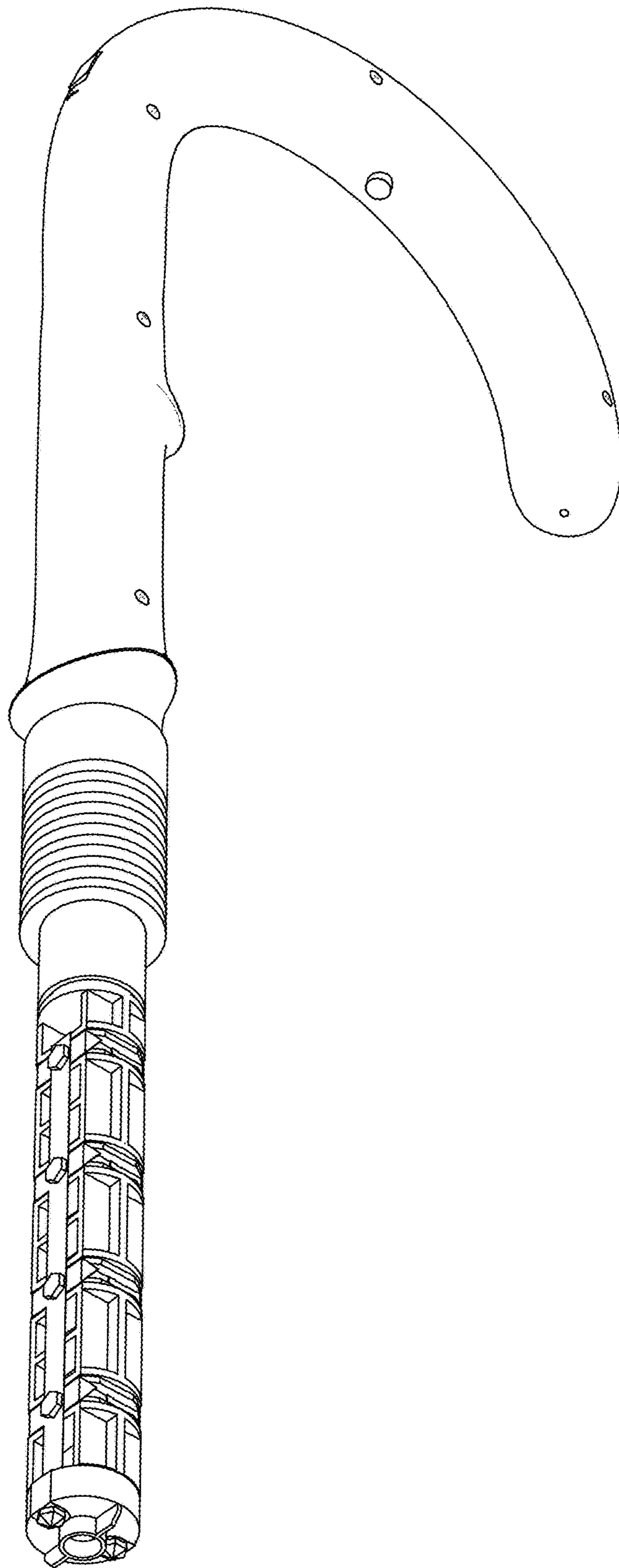


FIG. 3

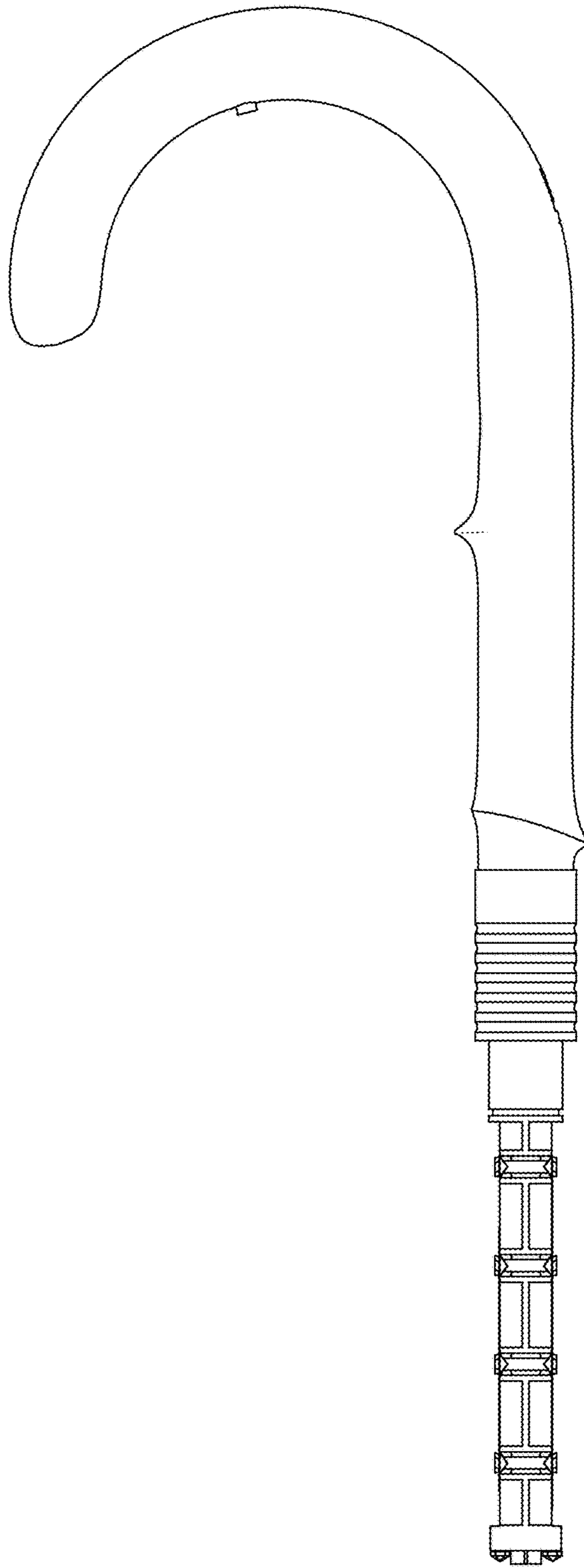


FIG. 4

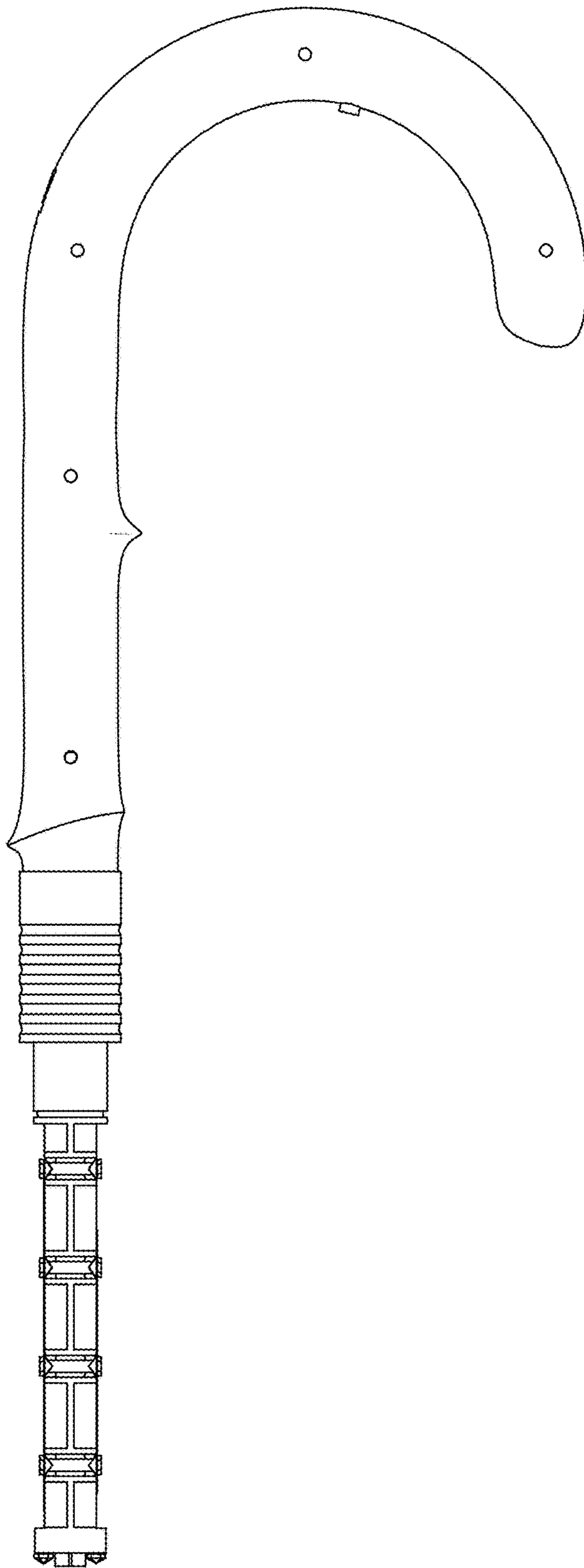


FIG. 5

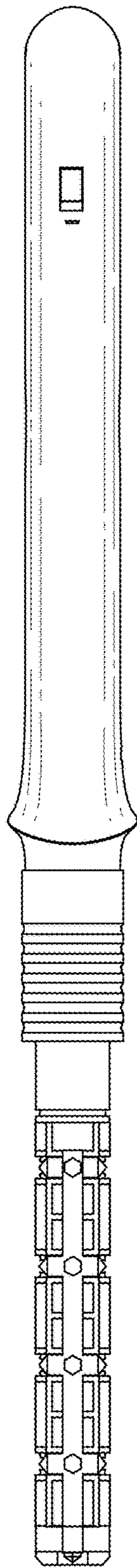


FIG. 6

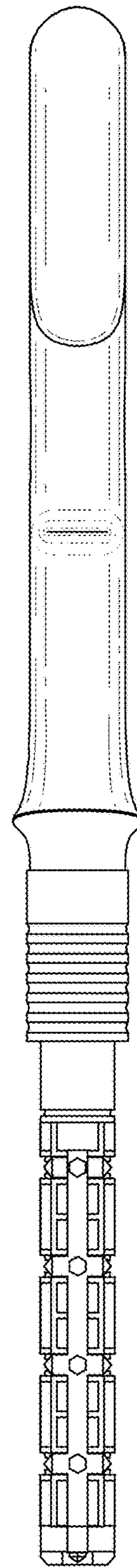


FIG. 7

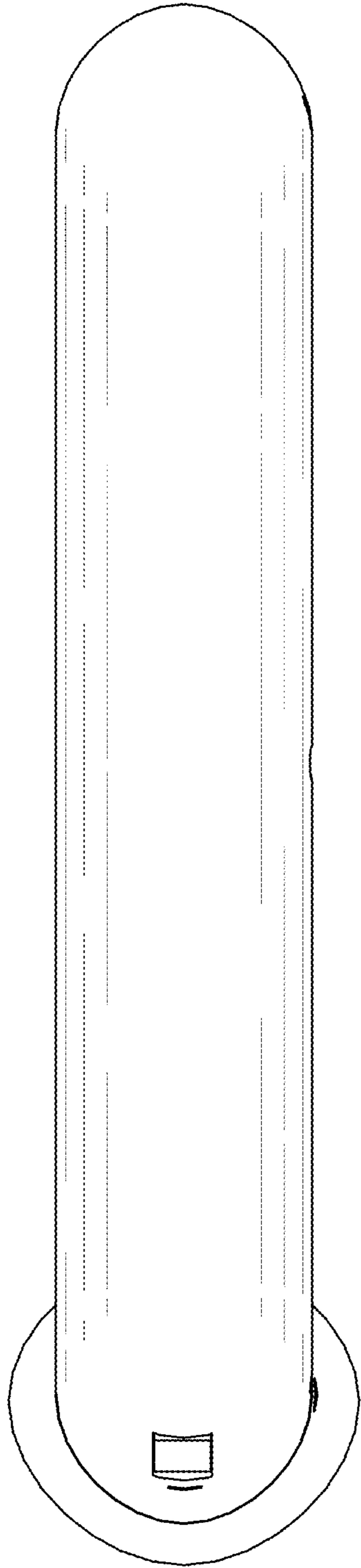


FIG. 8

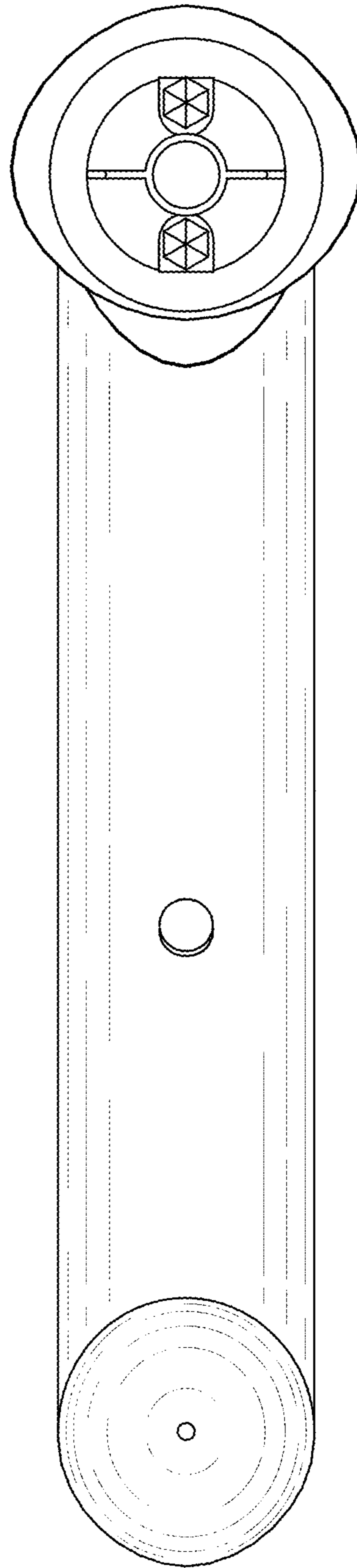


FIG. 9