



US00D786387S

(12) **United States Design Patent** (10) **Patent No.:** **US D786,387 S**
Farris, IV et al. (45) **Date of Patent:** **** *May 9, 2017**

- (54) **ARCHERY BOW SIGHT** 4,567,668 A 2/1986 King et al.
- 4,643,160 A * 2/1987 Gray F41G 1/467
- (71) Applicants: **Alex F. Farris, IV**, Helena, AL (US); 5,638,604 A * 6/1997 Lorocco F41G 1/345
Stephen P. Murphy, Brewton, AL 42/126
(US); **Alex F. Farris, III**, Birmingham, 5,653,217 A 8/1997 Keller
AL (US) RE36,266 E 8/1999 Gibbs
6,247,237 B1 * 6/2001 Redburn F41G 1/345
124/87
- (72) Inventors: **Alex F. Farris, IV**, Helena, AL (US); 6,539,637 B1 4/2003 Hollabaugh
Stephen P. Murphy, Brewton, AL 7,266,896 B1 9/2007 White
(US); **Alex F. Farris, III**, Birmingham, 7,290,345 B2 11/2007 Ellig
AL (US) 7,503,122 B2 3/2009 Afshari
7,644,503 B2 1/2010 Lewis
(*) Notice: This patent is subject to a terminal dis- 7,805,847 B2 * 10/2010 Behr F41B 5/14
claimer. 124/87
- (**) Term: **15 Years** 7,895,996 B2 3/2011 Grove
8,225,517 B2 * 7/2012 Behr F41B 5/14
124/87
- (21) Appl. No.: **29/578,042** D700,268 S * 2/2014 Hormberg D22/109
9,212,866 B1 * 12/2015 Hakl F41B 5/1419
- (22) Filed: **Sep. 18, 2016** * cited by examiner

Related U.S. Application Data

- (63) Continuation-in-part of application No. 14/845,102, filed on Sep. 3, 2015, now Pat. No. 9,448,037.
- (51) **LOC (10) Cl.** **22-01**
- (52) **U.S. Cl.**
USPC **D22/109**
- (58) **Field of Classification Search**
USPC D22/107, 109; D21/571, 575
CPC .. F41B 5/1403; F41B 5/10; F41B 5/14; F41B
5/0031; F41B 5/00; F41B 5/1484; F41B
5/1426; F16F 7/108
See application file for complete search history.

References Cited

U.S. PATENT DOCUMENTS

- 3,084,442 A * 4/1963 Jacobson F41G 1/467
33/265
- 4,481,717 A 11/1984 Kowalski

Primary Examiner — Michael A Pratt

(74) *Attorney, Agent, or Firm* — Gerald M. Walsh; Leo Law Firm LLC

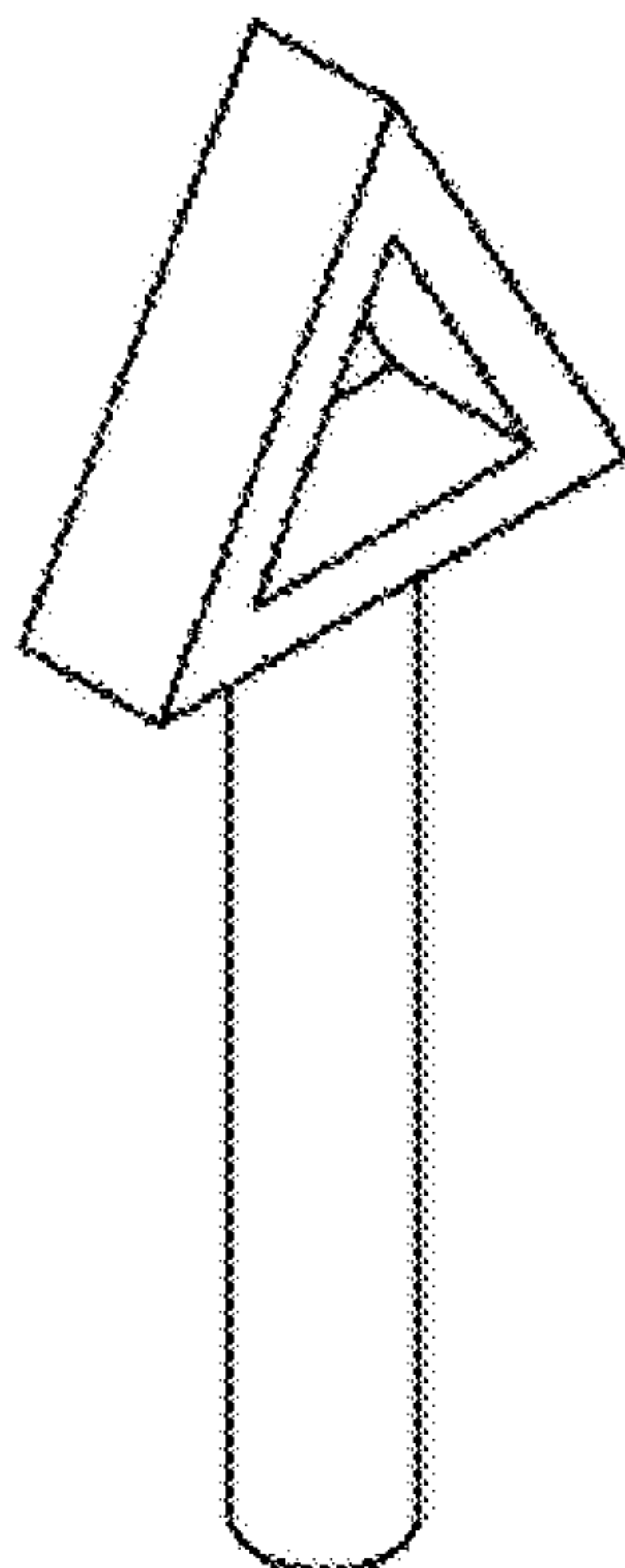
(57) **CLAIM**

We claim the ornamental design for an archery bow sight, as shown and described.

DESCRIPTION

FIG. 1 is a front, top, left side perspective view of an archery bow sight showing our new design;
 FIG. 2 is a front elevational view thereof, the rear view being identical;
 FIG. 3 is a right side elevational view thereof, the left side view being identical;
 FIG. 4 is a top plan view thereof; and,
 FIG. 5 is a bottom plan view thereof.

1 Claim, 1 Drawing Sheet



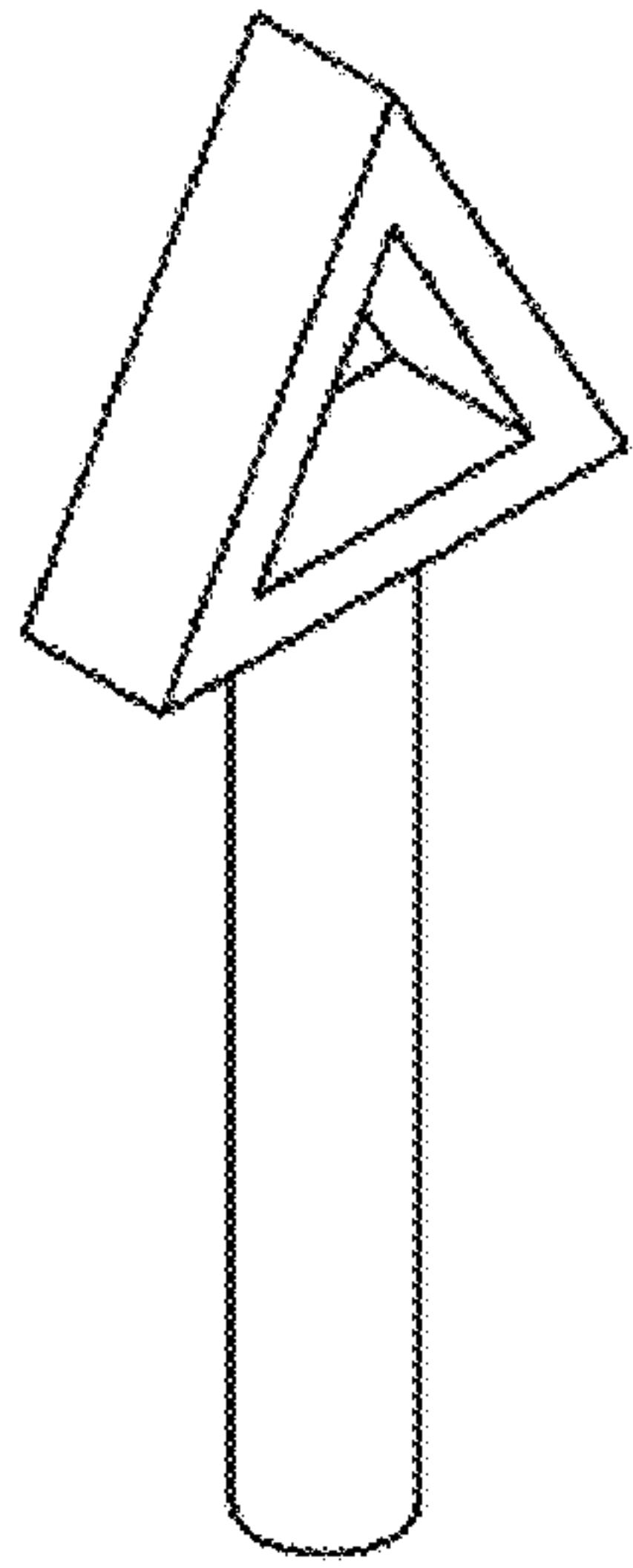


Fig. 1

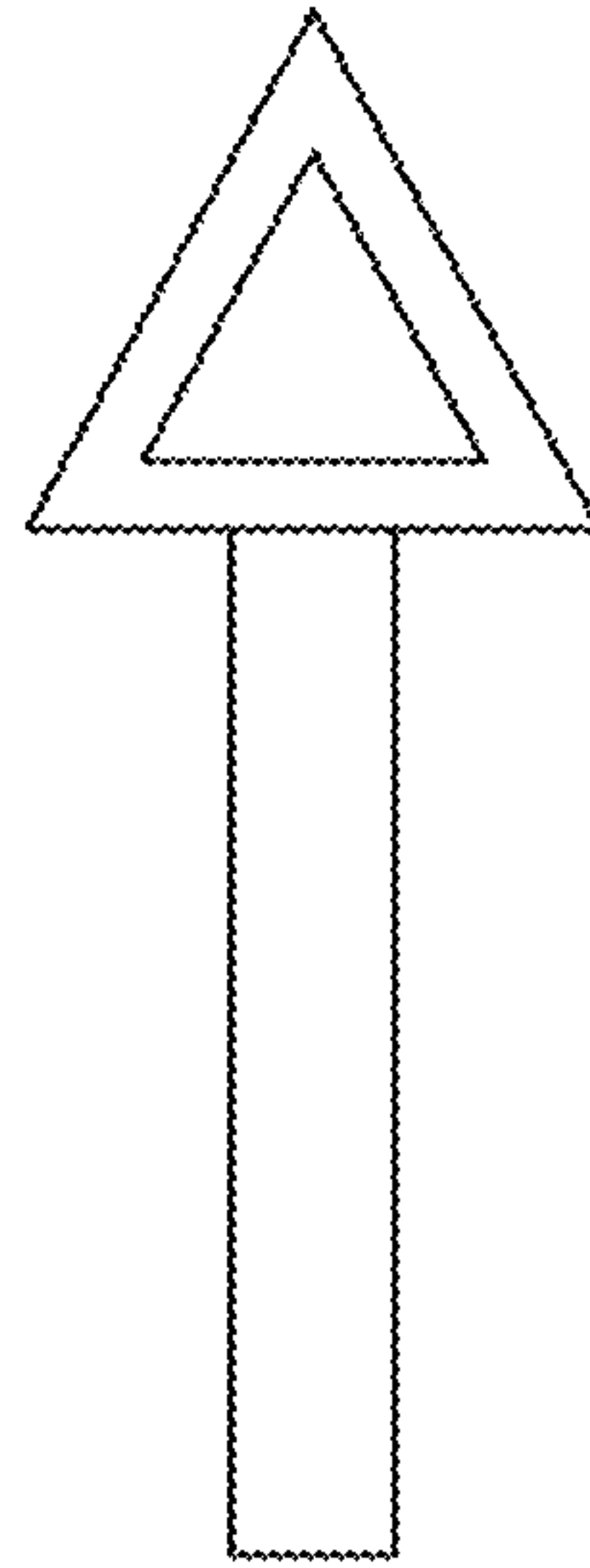


Fig. 2



Fig. 3

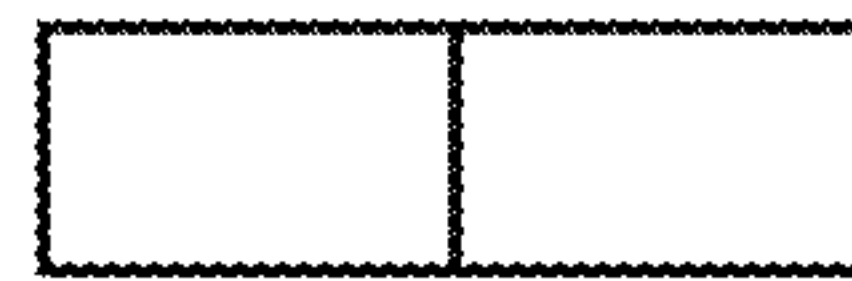


Fig. 4



Fig. 5