



US00D786385S

(12) **United States Design Patent**
Sapio et al.

(10) **Patent No.:** **US D786,385 S**
(45) **Date of Patent:** **** May 9, 2017**

(54) **TRIGGER GUARD FOR A REVOLVER**

(71) Applicant: **Kimber IP, LLC**, Yonkers, NY (US)

(72) Inventors: **Daniel Edward Sapio**, Mount Vernon, NY (US); **Ronald Richard Dudzic, Jr.**, Tarrytown, NY (US); **Lucio DiTrolio**, Mineola, NY (US)

(73) Assignee: **Kimber IP, LLC**, Yonkers, NY (US)

(**) Term: **15 Years**

(21) Appl. No.: **29/551,888**

(22) Filed: **Jan. 18, 2016**

(51) **LOC (10) Cl.** **22-01**

(52) **U.S. Cl.**
USPC **D22/108**

(58) **Field of Classification Search**
USPC D22/104, 105, 108, 109; 89/111–113, 89/136; 359/399, 823, 744; 42/59, 64, 42/68, 71.02, 77, 104, 105, 111–113, 116, 42/120, 124–129, 133–148; 33/227, 229
CPC F41A 9/85; F41C 3/14; F41C 3/16; F41C 3/04; F41G 1/00; F41G 1/01; F41G 1/02; F41G 1/06; F41G 1/065; F41G 1/08; F41G 1/10; F41G 1/12; F41G 1/14; F41G 1/30; F41G 1/32; F41G 1/38; F41G 1/40; F41G 1/42; F41G 1/44; F41G 1/46; F41G 1/383; F41G 1/387; F41G 1/393; F41G 3/00; F41G 3/005; F41G 3/02; F41G 3/04; F41G 3/06; F41G 3/14; F41G 11/002; F41G 11/003; F41G 11/004; F41G 11/005

See application file for complete search history.

(56) **References Cited**

U.S. PATENT DOCUMENTS

297,412 A * 4/1884 Kelton F41C 23/10
42/71.02
966,165 A * 8/1910 Cobb F41C 23/10
42/71.02

1,610,092 A * 12/1926 Hise F41G 1/35
362/110
1,898,566 A * 2/1933 Noel F41A 21/10
42/77
2,081,438 A * 5/1937 Pomeroy F41C 23/10
42/71.02
2,509,553 A * 5/1950 Wylie F41C 23/10
42/71.01

(Continued)

OTHER PUBLICATIONS

Preview: The Kimber K6s Revolver, LuckyGunner.com, by Chris Baker, Jan. 20, 2016, [online], [site visited Jan. 6, 2017]. <URL: <http://www.luckygunner.com/lounge/kimber-k6s/>>.*

(Continued)

Primary Examiner — T. Chase Nelson

Assistant Examiner — Jonathan J Han

(74) *Attorney, Agent, or Firm* — Caesar Rivise, PC

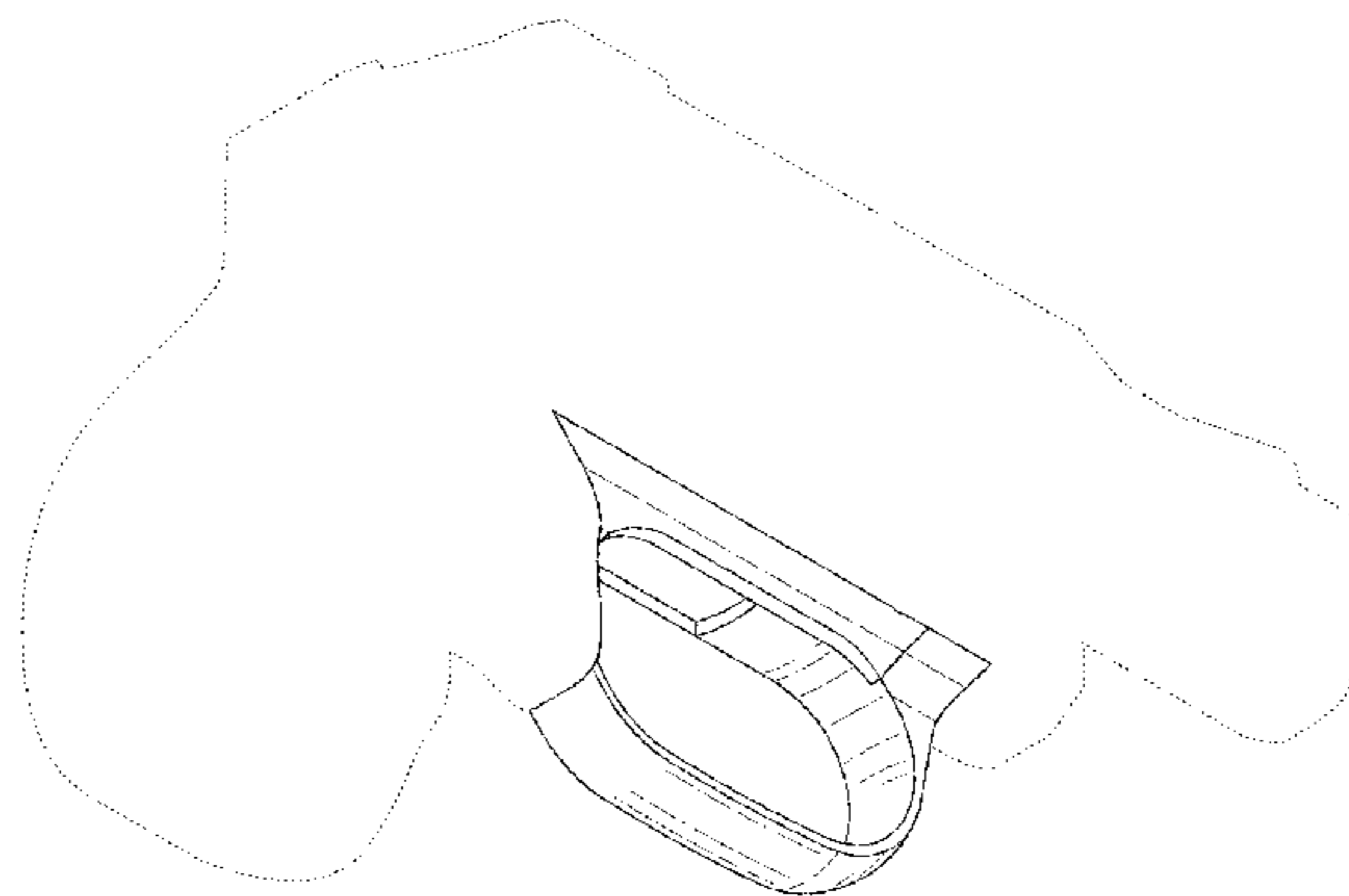
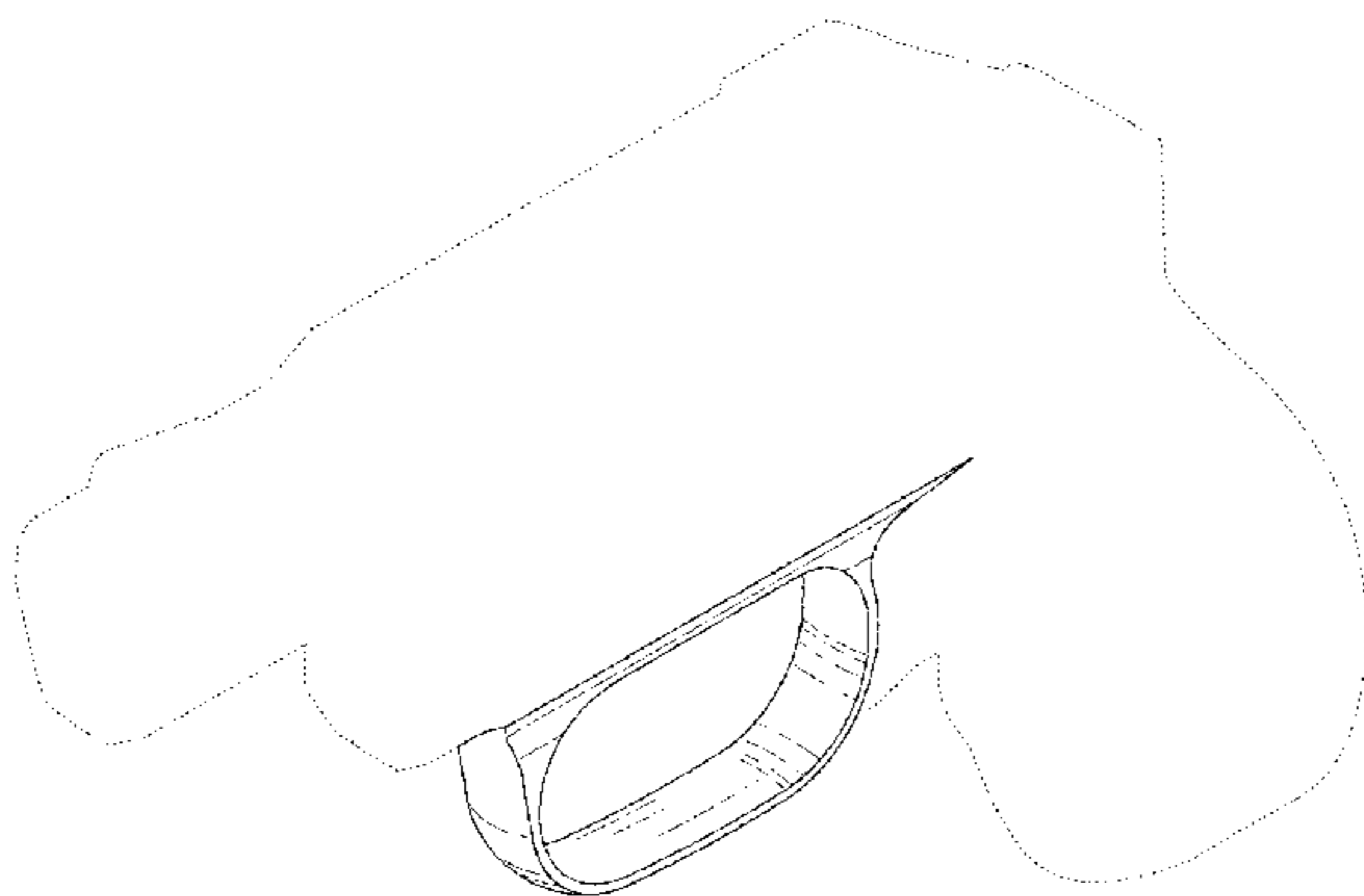
(57) **CLAIM**

The ornamental design for a trigger guard for a revolver, as shown and described.

DESCRIPTION

FIG. 1 is a front, top, left side perspective view of a trigger guard for a revolver showing our new design; FIG. 2 is a rear, bottom, right side perspective view thereof; FIG. 3 is a front, elevation view thereof; FIG. 4 is a rear elevation view thereof; FIG. 5 is a left side, elevation view thereof; FIG. 6 is a right side, elevation view thereof; FIG. 7 is a top, plan view thereof; and, FIG. 8 is bottom, plan view thereof. The broken lines in the figures are used to illustrate environment, in which the claimed design is embodied, and form no part of the claimed design.

1 Claim, 8 Drawing Sheets



(56)

References Cited

U.S. PATENT DOCUMENTS

2,523,087 A * 9/1950 Baggott A63H 5/04
446/24
2,654,174 A * 10/1953 Hansen F41A 17/20
42/66
2,830,397 A * 4/1958 Mulno F41C 3/14
42/62
2,853,823 A * 9/1958 Kirkland F41C 3/14
42/67
2,882,636 A * 4/1959 Shinaver F41A 17/54
42/70.06
2,894,116 A * 7/1959 Koskey F41A 33/02
362/111
2,955,373 A * 10/1960 Ruger F41C 3/14
42/59
2,958,151 A * 11/1960 Sefried, II F41C 3/14
42/62
3,136,084 A * 6/1964 Charron F41C 3/14
42/59
3,158,948 A * 12/1964 Freed F41A 19/53
42/65
3,226,870 A * 1/1966 Labbie F41C 23/10
42/66
3,392,469 A * 7/1968 Dubini F41C 27/06
42/105
3,711,982 A * 1/1973 Baker F41C 3/14
42/59
3,988,847 A * 11/1976 Kennedy F41C 3/14
42/62
4,128,957 A * 12/1978 Lee F41C 23/10
42/65
4,213,263 A * 7/1980 Brouthers F41C 3/14
42/59
4,658,528 A * 4/1987 Ruger F41C 23/10
42/71.02
D296,349 S * 6/1988 Ruger D22/104
D299,674 S * 1/1989 Domian D22/104
4,878,307 A * 11/1989 Singletary F41G 11/003
42/124
5,009,022 A * 4/1991 McCoy F41C 33/001
42/106
7,506,469 B2 * 3/2009 Poulin F41A 11/02
42/71.02
7,827,719 B2 * 11/2010 McGarry F41C 23/10
42/7
D663,799 S * 7/2012 Edelman D22/104
D721,154 S * 1/2015 Olmi D22/104
9,488,432 B2 * 11/2016 Curry F41C 3/14
2011/0232148 A1 * 9/2011 Cain F41A 17/38
42/6

OTHER PUBLICATIONS

New From Kimber: K6s .357 Revolver and Micro 9mm, TheTruthAboutGuns.com, Jeremy s., Jan. 18, 2016, [online], [site

visited Jan. 6, 2017]. <URL: <https://www.thetruthaboutguns.com/2016/01/jeremy-s/new-from-kimber-k6s-357-revolver-and-micro-9mm/>>.*

A Revolver from Kimber? Shot Show 2016, GunsAmerica.com, by Jon Hodoway on Jan. 18, 2016, [online], [site visited Jan. 6, 2017].

<URL: <https://www.gunsamerica.com/blog/a-revolver-from-kimber-shot-show-2016/>>.*

Introducing the Kimber K6s!, YouTube.com, Kimberamerica, Published on Jan. 22, 2016, [online], [site visited Jan. 6, 2017]. <URL: <https://www.youtube.com/watch?v=RZNhWvjQJ6M>>.*

Kimber K6 revolver, 45talk.com, Posted on Apr. 12, 2016 by Mark Calzaretta, [online], [site visited Jan. 6, 2017]. <URL: <http://45talk.com/?p=637>>.*

Smith & Wesson J-Frame Centerfire Revolvers, Cabelas.com, [online], [site visited Jan. 6, 2017]. <URL: <http://www.cabelas.com/product/shooting/firearms/handguns/revolvers-miscellaneous%7C/pc/104792580/c/553829580/sc/105526980/i/105527880/smith-wesson-174-j-frame-centerfire-revolvers/733704>.

uts?destination=%2Fcategory%2FRevolvers-Miscellaneous%2F10552.*

Charter 72342 Target Pathfinder Stainless .22Mag 4.2-inch 6rd, GrabaGun.com, [online], [site visited Jan. 6, 2017]. <URL: <http://grabagun.com/charter-arms-72342-target-pathfinder-rver.html>>.*

6 Six-Shot .357 Magnum Revolvers for Competition Shooting, PersonalDefenseWorld.com, by William Bell on Jun. 12, 2015, [online], [site visited Jan. 6, 2017]. <URL: <http://www.personaldefenseworld.com/2015/06/6-six-shot-357-magnum-revolvers-for-competition-shooting/#swmodel686ssr>>.*

A Few Random Thoughts About the 9mm Charter Revolver, DownRange.tv, Aug. 3, 2012, by: Michael Bane, [online], [site visited Jan. 6, 2017], <URL: <http://www.downrange.tv/blog/a-few-random-thoughts-about-the-9mm-charter-revolver/15662/>>.*

11 of the Best Backup Snub-Nose Revolvers, Tactical-Life.com, Jul. 15, 2015, by William Bell, [online], [site visited Jan. 6, 2017]. <URL: <http://www.tactical-life.com/firearms/11-backup-snub-nose-revolvers/#gwa-15-snub-charter-liteoff>>.*

Model 66 Combat Magnum, Smith-Wesson.com, [online], [site visited Jan. 6, 2017]. <URL: <https://www.smith-wesson.com/firearms/model-66-combat-magnum>>.*

Ruger GP100 Match Champion, <https://www.americanrifleman.org/articles/2014/10/17/ruger-gp100-match-champion/>, Oct. 17, 2014.

Colt King Cobra Revolver 4 Inch Stainless, <http://reducerecoil.com/2014/12/colt-king-cobra-revolver-4inch-stainless/>, Dec. 12, 2014.

Colt King Cobra .357 Magnum Handgun—It's One Mean Snake, <http://www.groovyoutdoors.us/colt-king-cobra/>, Jan. 17, 2013.

Chiappa Rhino 6-Shot .357 Magnum Revolver for Concealed Carry (CCW) Applications, <http://www.defensereview.com/chiappa-rhino-6-shot-357-magnum-revolver-for-concealed-carry-ccw-applications/>, Aug. 26, 2010.

Smith & Wesson Model 640, see Pro 357 Magnum Revolver for Sale, https://en.wikipedia.org/wiki/Smith_%26_Wesson_Model_640, 1990.

* cited by examiner

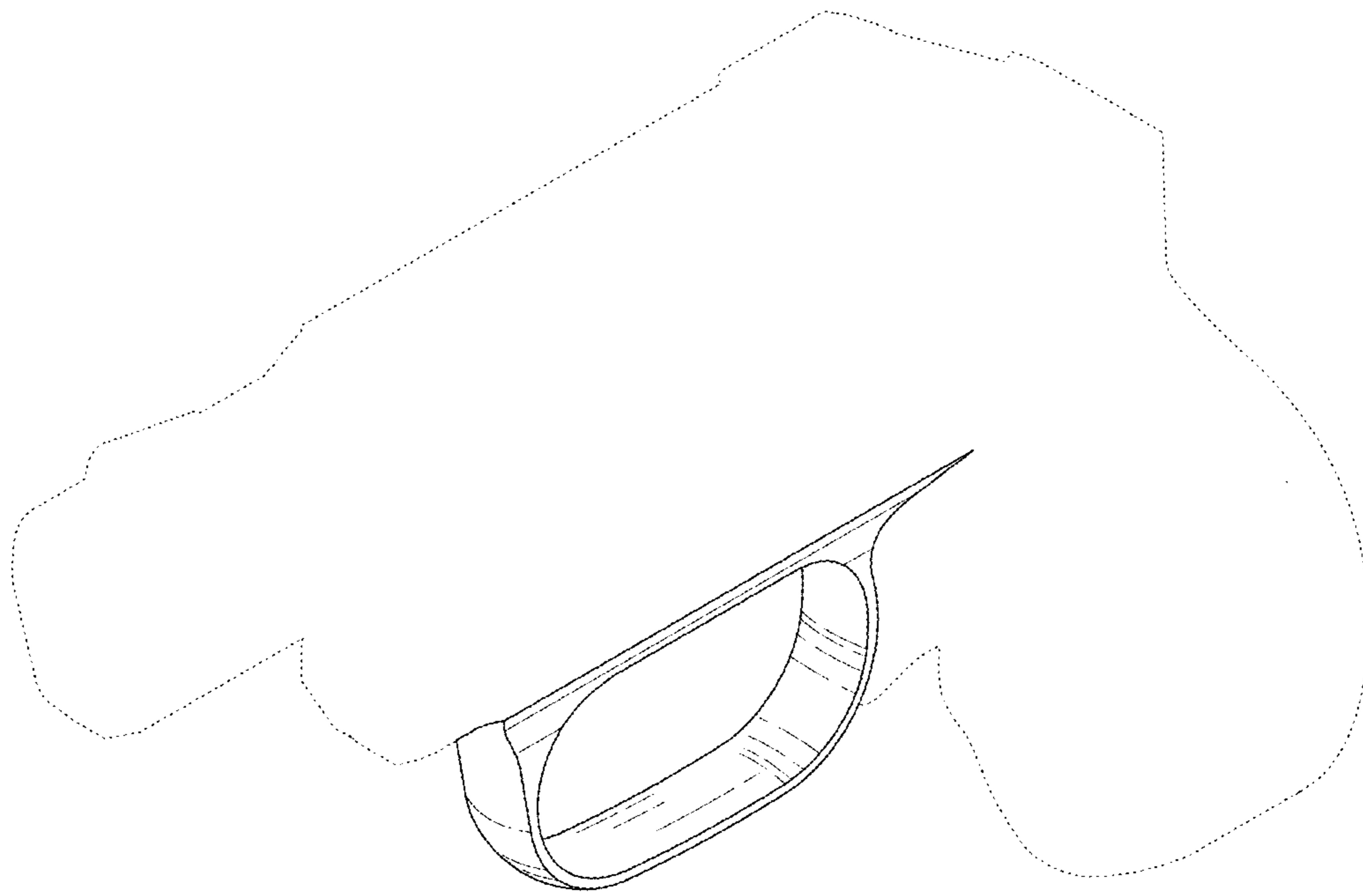


FIG. 1

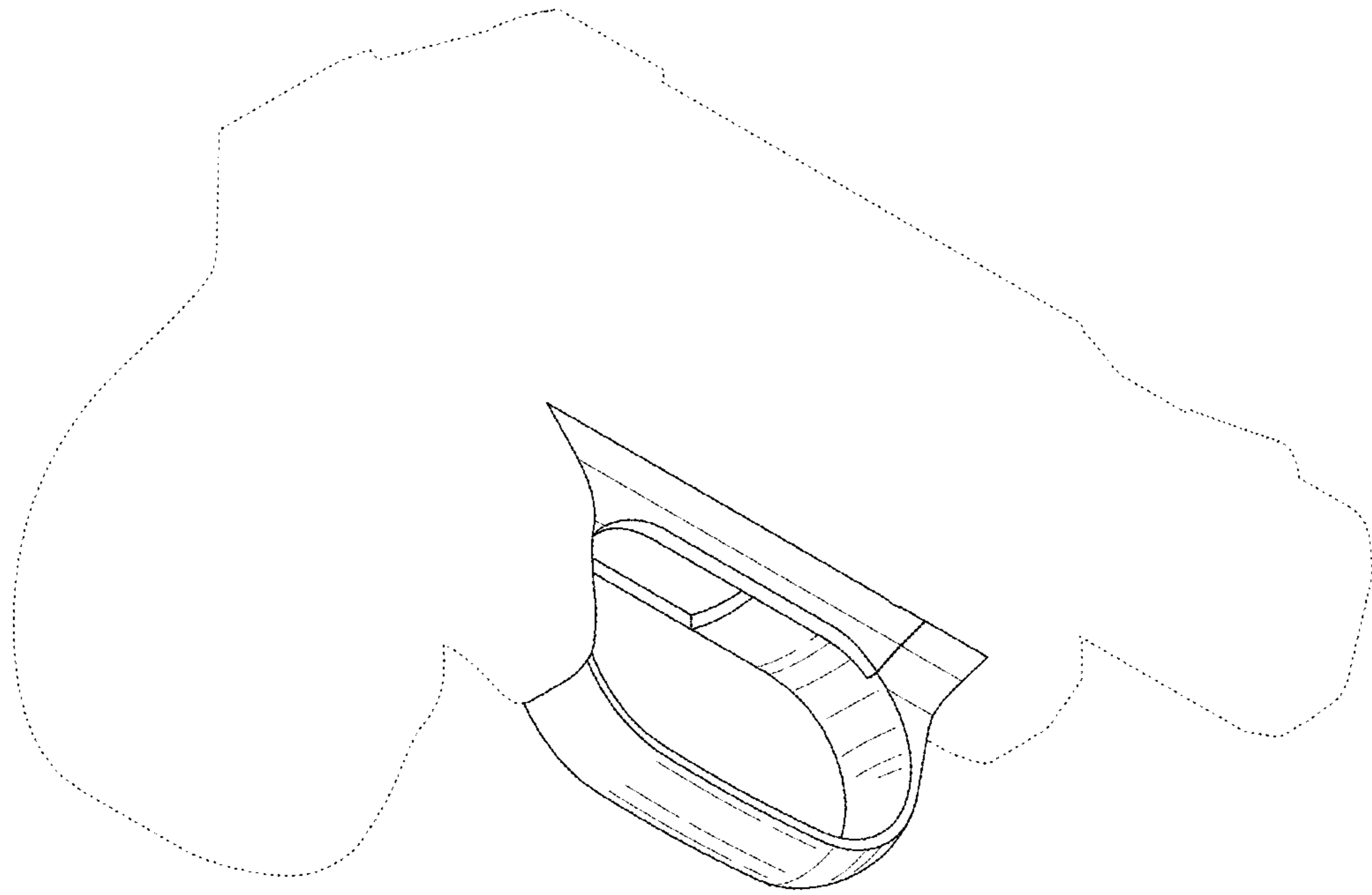


FIG. 2

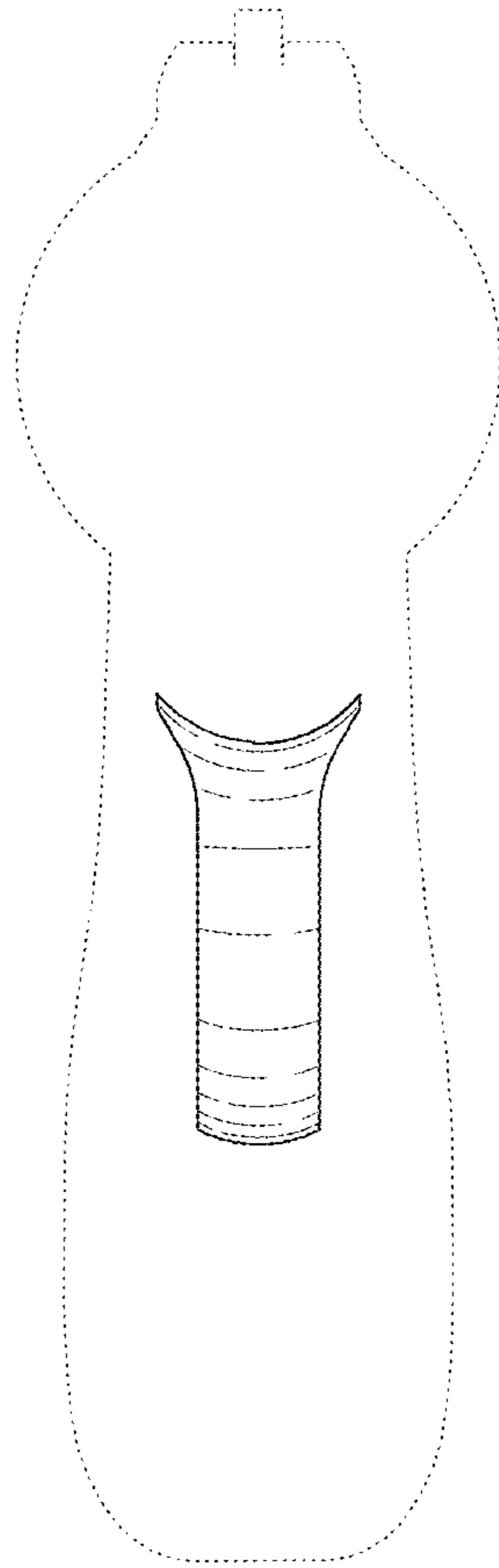


FIG. 3

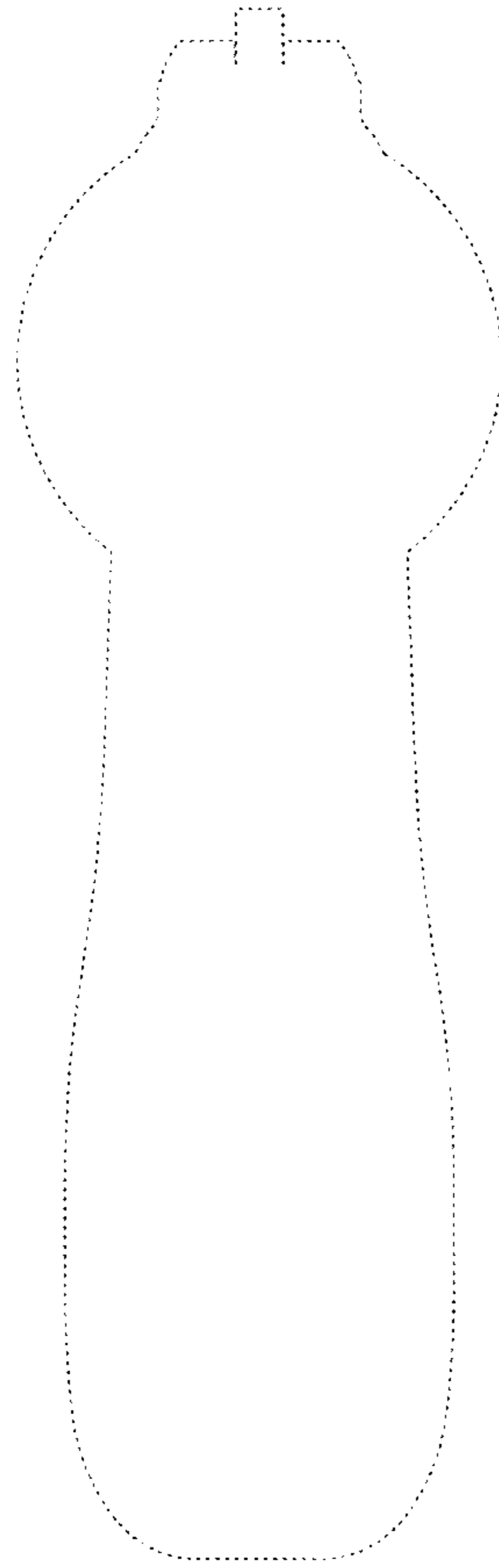


FIG. 4

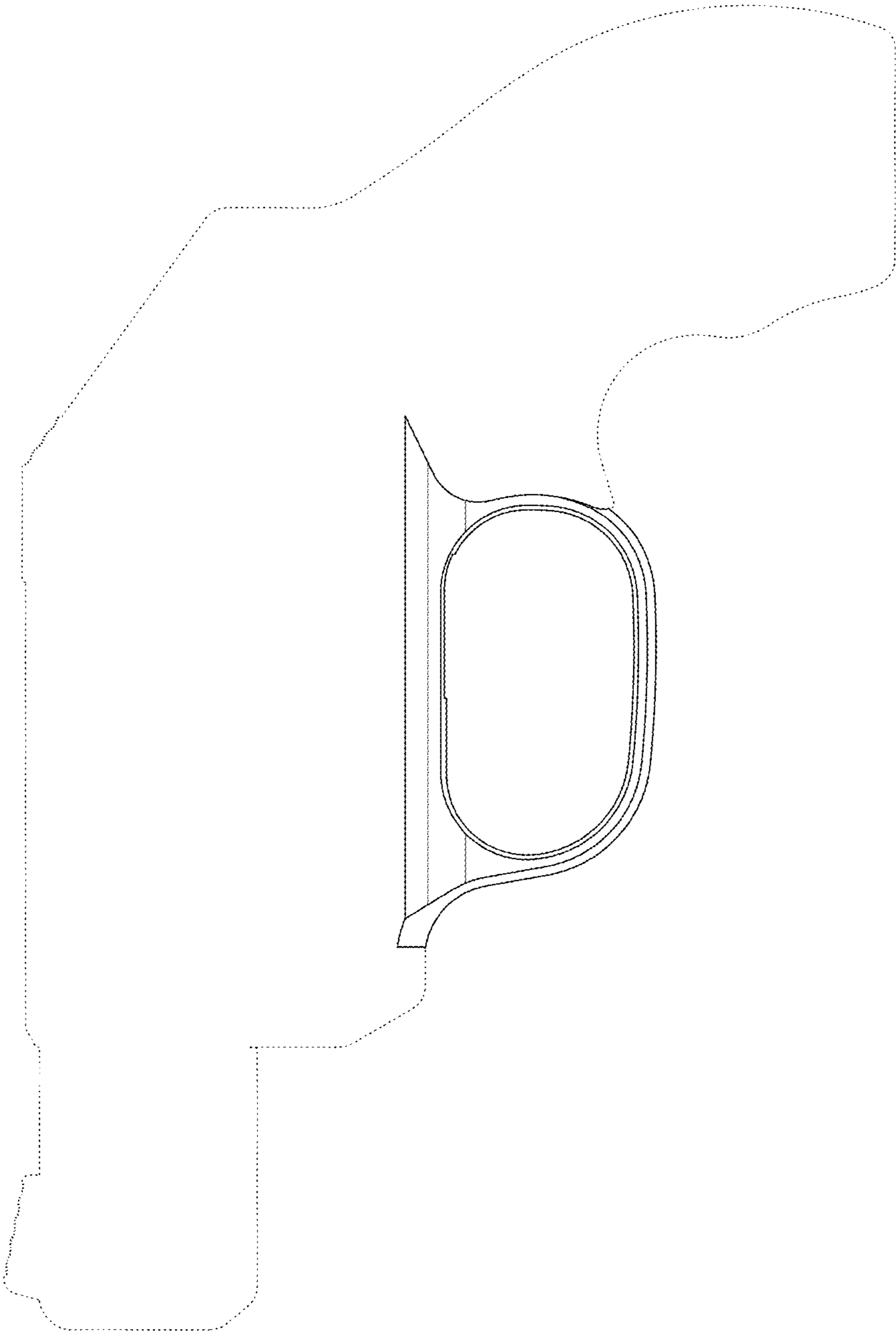


FIG. 5

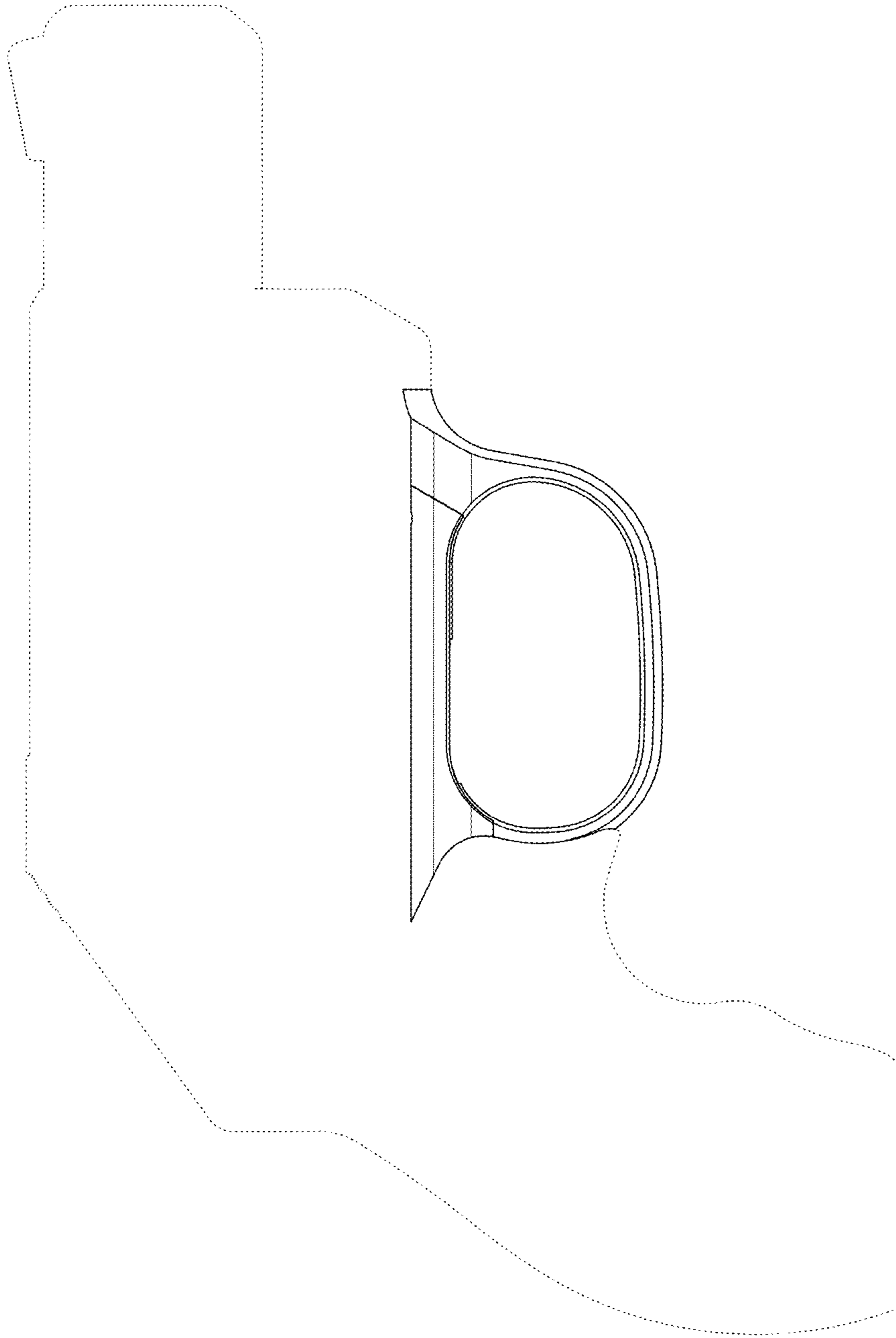


FIG. 6

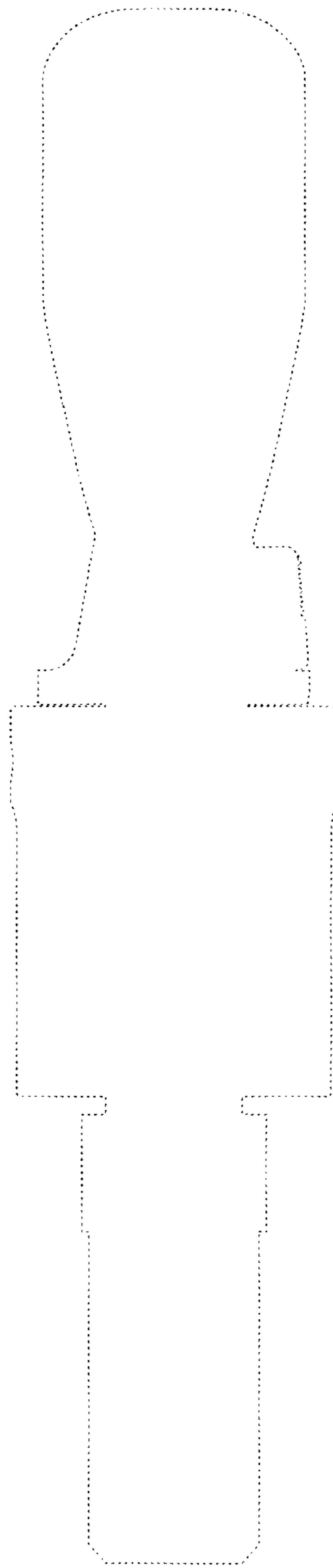


FIG. 7

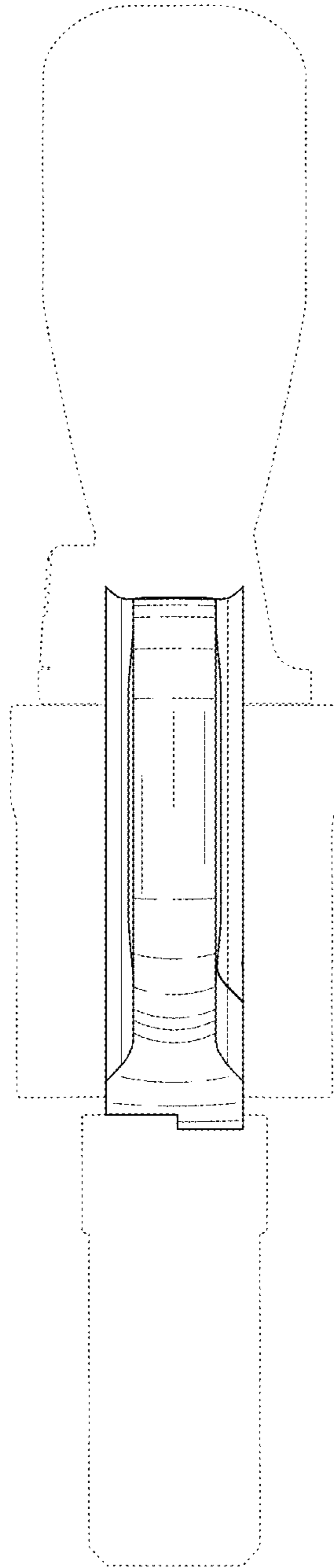


FIG. 8