



US00D786384S

(12) **United States Design Patent** (10) **Patent No.:** **US D786,384 S**
Saadon (45) **Date of Patent:** **** May 9, 2017**

(54) **ANGLED GRIP**
(71) Applicant: **FXD, LLC**, Austin, TX (US)
(72) Inventor: **Marschell B Saadon**, Round Rock, TX (US)
(73) Assignee: **FXD, LLC**, Austin, TX (US)
(**) Term: **15 Years**
(21) Appl. No.: **29/549,844**
(22) Filed: **Dec. 28, 2015**
(51) **LOC (10) Cl.** **22-01**
(52) **U.S. Cl.**
USPC **D22/108**
(58) **Field of Classification Search**
USPC D22/108, 100, 199; 362/109-114;
42/90, 94, 114, 117, 124-127, 131, 146
CPC F41C 23/10; F41C 23/14; F41C 23/16;
F41C 23/18
See application file for complete search history.

D642,651 S * 8/2011 Faifer D22/108
D643,497 S * 8/2011 Fitzpatrick D22/108
D644,707 S * 9/2011 Faifer D22/108
D657,217 S * 4/2012 Chang D8/107
D660,934 S * 5/2012 Faifer D22/108
D665,043 S * 8/2012 Fitzpatrick D22/108
8,245,428 B2 8/2012 Griffin
8,533,987 B2 9/2013 Rogers
(Continued)

FOREIGN PATENT DOCUMENTS

AU WO8505442 * 12/1985 F41A 5/18
CN 2321482 * 6/1999 A62C 31/02
WO WO2012021216 A2 2/2012

OTHER PUBLICATIONS

FXD's Revolutionary Gun Grip | forceexdesign.com, Youtube.com, Published on Jul. 12, 2016, [online], [site visited Oct. 13, 2016]. <URL: <https://www.youtube.com/watch?v=S-0pL0izelA>>.*
(Continued)

Primary Examiner — T. Chase Nelson
Assistant Examiner — Jonathan J Han

(56) **References Cited**

U.S. PATENT DOCUMENTS

2,056,975 A 10/1936 Michal, Jr.
2,899,767 A 8/1959 Bourdreau
3,128,571 A 4/1964 Herrett
4,475,437 A 10/1984 Sullivan
5,048,215 A 9/1991 Davis
6,782,781 B2 8/2004 Moore
7,111,424 B1 * 9/2006 Moody F41A 23/08
248/171
7,140,138 B1 11/2006 Laney
7,454,858 B2 * 11/2008 Griffin F41C 23/16
42/71.01
D585,517 S 1/2009 Faifer
7,568,304 B1 * 8/2009 Moody F41A 23/08
42/71.01
7,676,975 B2 3/2010 Phillips et al.
D617,863 S * 6/2010 Moody D22/108
D633,163 S * 2/2011 Fitzpatrick D22/108

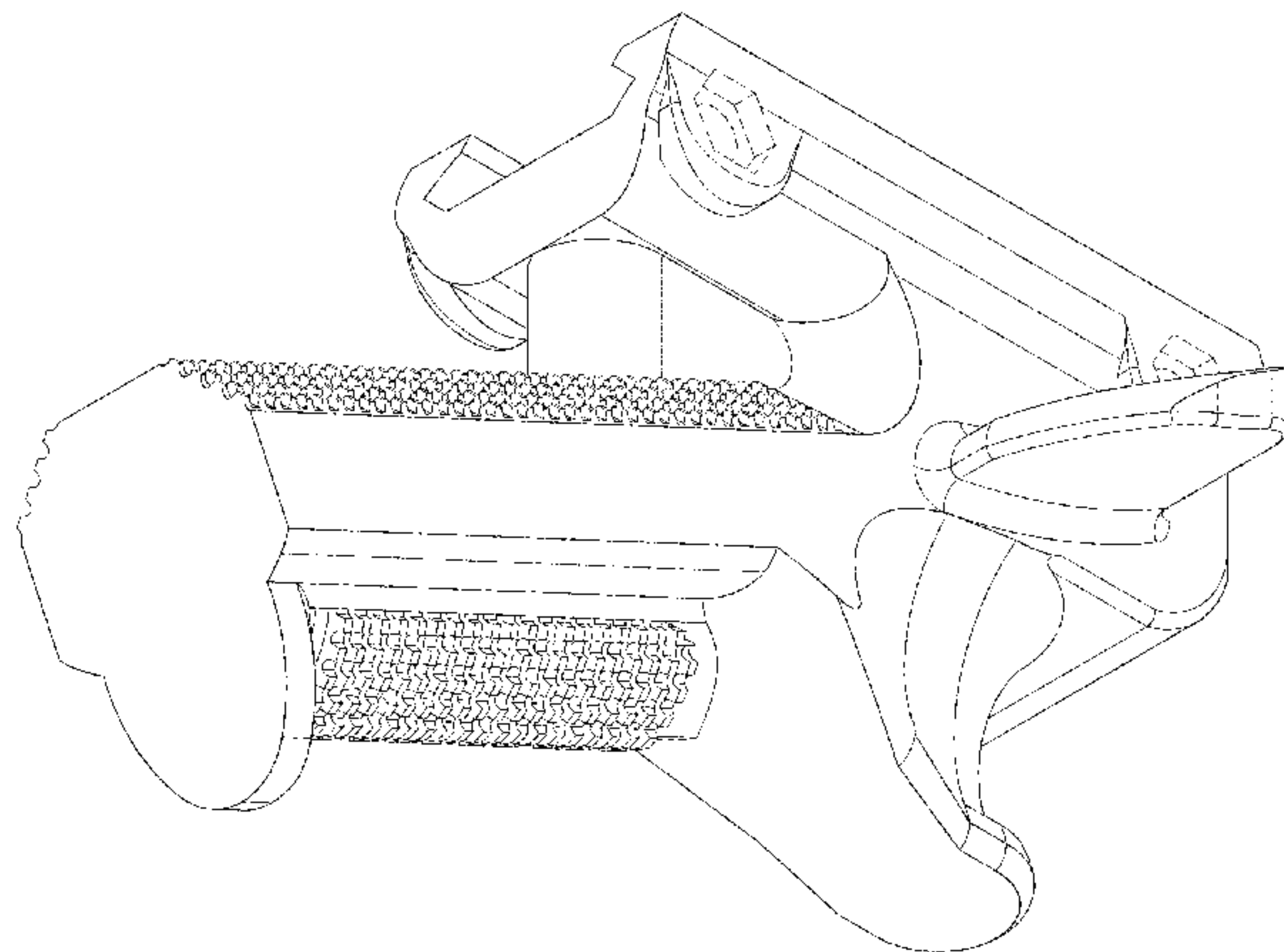
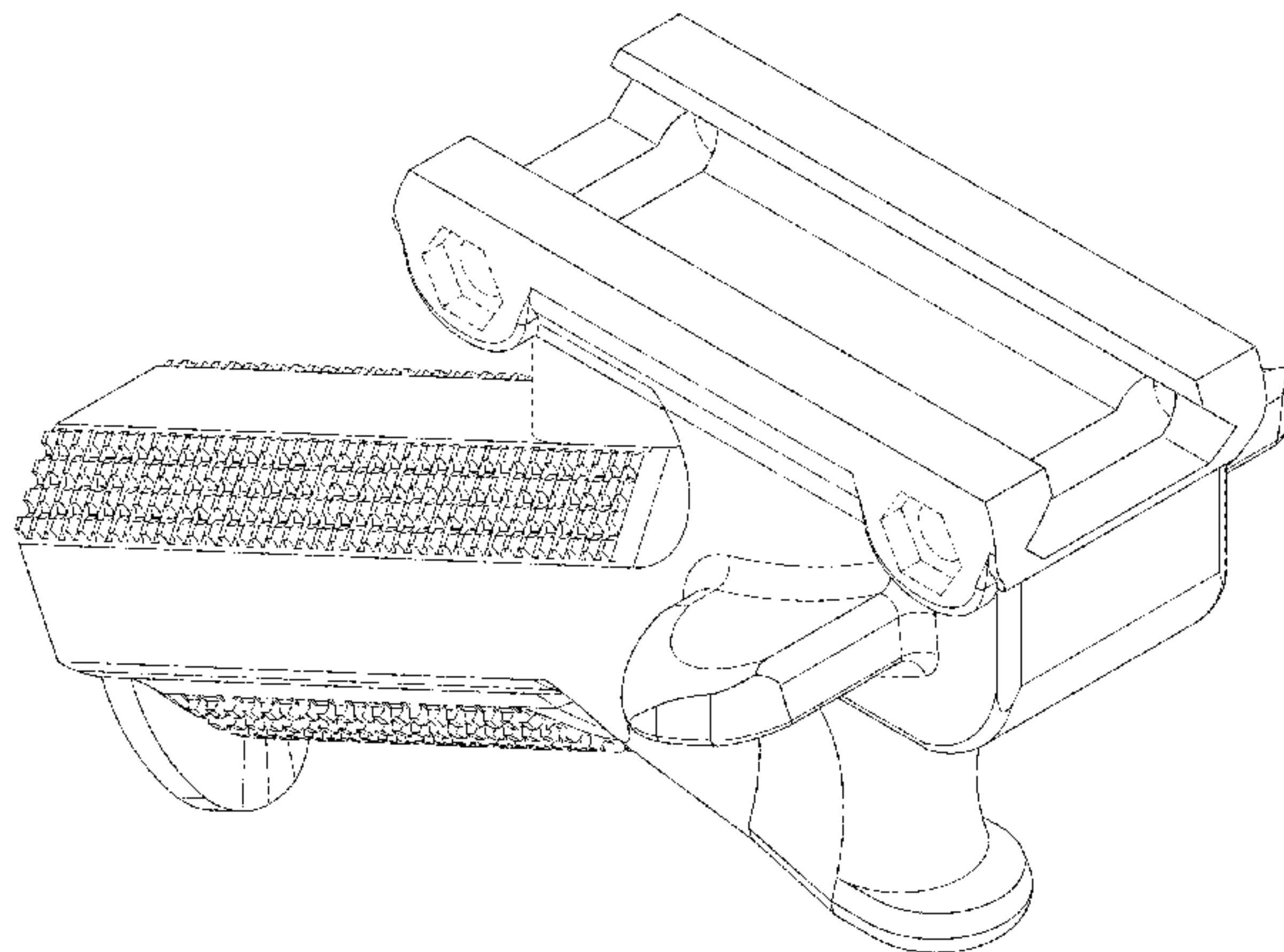
(57) **CLAIM**

The ornamental design for an angled grip, as shown and described.

DESCRIPTION

FIG. 1 is a perspective view of an angled grip;
FIG. 2 is another perspective view thereof;
FIG. 3 is a front view thereof;
FIG. 4 is a rear view thereof;
FIG. 5 and FIG. 6 are side views thereof; and,
FIG. 7 is a bottom view thereof.
The broken lines in the drawings are used to illustrate unclaimed parts in FIGS. 1, 2, 5 and 6 of an angled grip and form no part of the claimed design.

1 Claim, 7 Drawing Sheets



(56)

References Cited

U.S. PATENT DOCUMENTS

8,607,492 B2 12/2013 Hartley
 D698,885 S * 2/2014 Faifer D22/108
 8,707,604 B2 4/2014 Troy et al.
 D704,298 S * 5/2014 Cheng D22/109
 8,826,792 B1 9/2014 Granger
 8,857,094 B2 10/2014 Michel
 D726,278 S * 4/2015 Ding D22/108
 D727,455 S * 4/2015 Ding D22/108
 D728,054 S * 4/2015 Webber D22/108
 9,010,008 B2 4/2015 Hovey
 D734,418 S * 7/2015 Hines D22/108
 9,182,194 B2 11/2015 Moore
 D745,623 S * 12/2015 Flores D22/108
 D745,624 S * 12/2015 Flores D22/108
 D745,628 S * 12/2015 Barfoot D22/108
 D745,629 S * 12/2015 Barfoot D22/108
 D745,940 S * 12/2015 Flores D22/108
 9,228,786 B2 1/2016 Sullivan
 D749,186 S * 2/2016 Cheng D22/108
 9,341,440 B2 * 5/2016 Moore F41C 23/16
 9,423,208 B1 * 8/2016 Mahmalji F41C 23/16
 2005/0024691 A1 2/2005 Mowers
 2008/0010890 A1 * 1/2008 Vice F41C 23/16
 42/72
 2008/0141576 A1 * 6/2008 Moody F41A 23/08
 42/72
 2009/0193702 A1 * 8/2009 Lin F41C 23/16
 42/72
 2009/0194088 A1 8/2009 Tippmann, Jr.
 2010/0031552 A1 2/2010 Houde-Walter
 2010/0242332 A1 * 9/2010 Teetzel F41A 23/08
 42/72
 2011/0047850 A1 * 3/2011 Rievley F41C 23/16
 42/72
 2011/0047851 A1 3/2011 Mock
 2011/0107643 A1 5/2011 Fitzpatrick et al.
 2011/0173862 A1 * 7/2011 Williams F41C 27/00
 42/72
 2011/0179688 A1 * 7/2011 Ash, Jr. F41C 23/16
 42/72
 2011/0185617 A1 8/2011 Brixius
 2012/0272557 A1 * 11/2012 Yan F41C 23/12
 42/69.01
 2013/0074685 A1 3/2013 Cottle
 2013/0205636 A1 * 8/2013 Shull F41C 23/16
 42/72
 2013/0239450 A1 9/2013 Michel

2013/0333263 A1 * 12/2013 Hovey F41C 23/16
 42/72
 2013/0340311 A1 12/2013 Marquez
 2014/0245648 A1 9/2014 Nierenberg
 2014/0373414 A1 12/2014 Nierenberg
 2015/0233668 A1 8/2015 Moore
 2016/0061560 A1 * 3/2016 Saadon F41G 11/003
 42/72
 2016/0245616 A1 * 8/2016 Derausse F41C 23/14

OTHER PUBLICATIONS

Venom, FDX, LLC., forceexdesign.com, [online], [site visited Oct. 13, 2016]. <URL: <http://forceexdesign.com/product/venom/>>.*
 FXD Product Teaser: Venom, Youtube.com, Published on Jul. 31, 2016, [online], [site visited Oct. 13, 2016]. <URL: <https://www.youtube.com/watch?v=G9K6BEvfnZs>>.*
 AFG-2-Angled Fore Grip 1913 Picatinny, Magpul.com, [online], [site visited Oct. 13, 2016]. <URL: <https://www.magpul.com/products/afg-2>>.*
 Stark Equipment Express Angled Fore-Grip (Black), AirsoftGI.com, [online], [site visited Oct. 13, 2016]. <URL: http://www.airsoftgi.com/product_info.php?products_id=15182>.*
 U.S. Appl. No. 29/556,375, Angled Grip, Marschell B. Saadon, filed Feb. 29, 2016.
 U.S. Appl. No. 29/556,376, Angled Grip, Marschell B. Saadon, filed Feb. 29, 2016.
 U.S. Appl. No. 29/556,377, Angled Grip, Marschell B. Saadon, filed Feb. 29, 2016.
 U.S. Appl. No. 29/556,378, Angled Grip, Marschell B. Saadon, filed Feb. 29, 2016.
 U.S. Appl. No. 29/556,379, Vertical Grip, Marschell B. Saadon, filed Feb. 29, 2016.
 U.S. Appl. No. 29/556,380, Firearm Thumb Support, Marschell B. Saadon, filed Feb. 29, 2016.
 U.S. Appl. No. 29/556,387, Angled Grip, Marschell B. Saadon, filed Feb. 29, 2016.
 U.S. Appl. No. 29/556,390, Angled Grip, Marschell B. Saadon, filed Feb. 29, 2016.
 U.S. Appl. No. 29/556,400, Angled Grip, Marschell B. Saadon, filed Feb. 29, 2016.
 U.S. Appl. No. 29/549,843, Angled Grip, Marschell B. Saadon, filed Dec. 28, 2015.

* cited by examiner

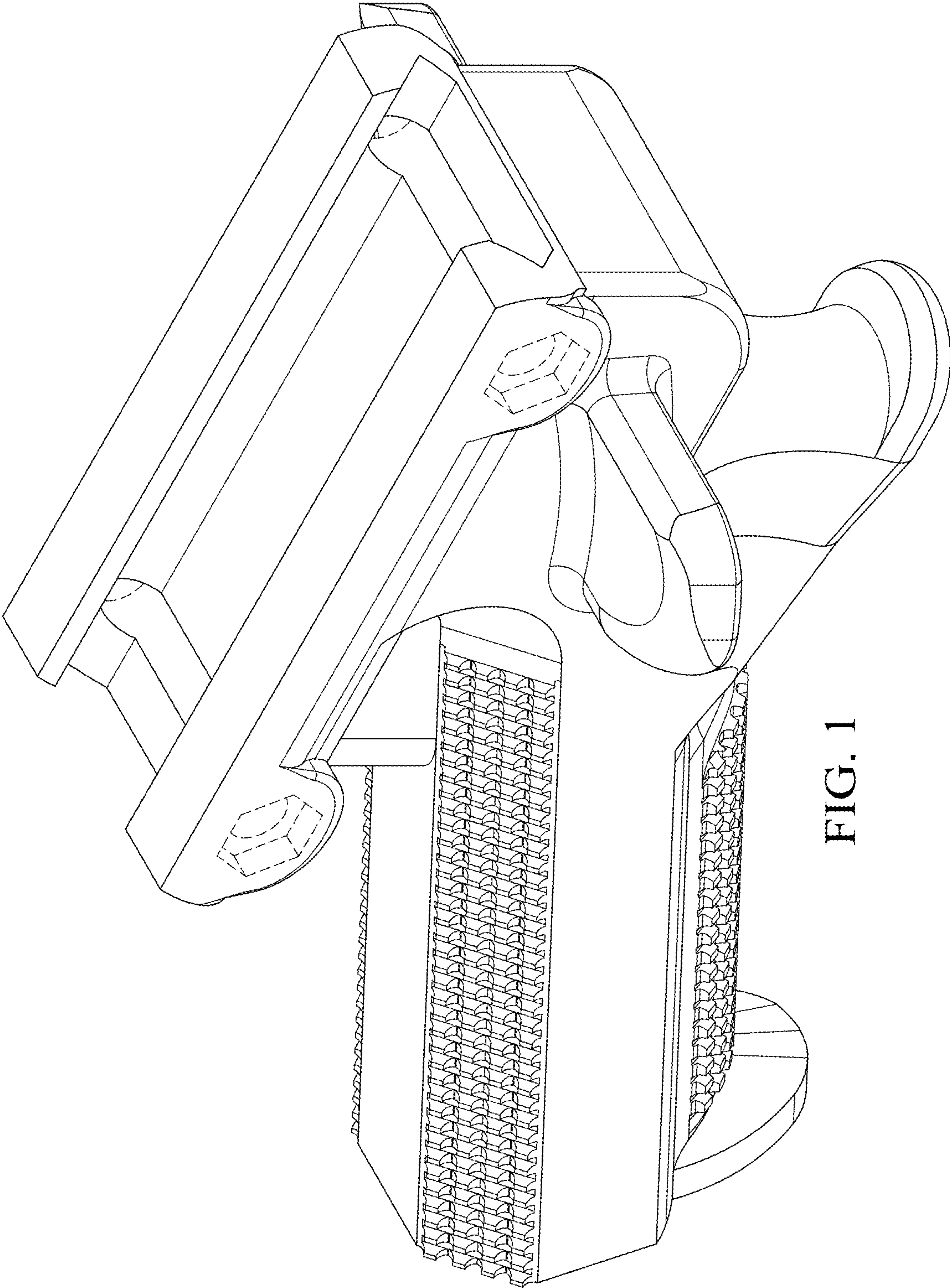


FIG. 1

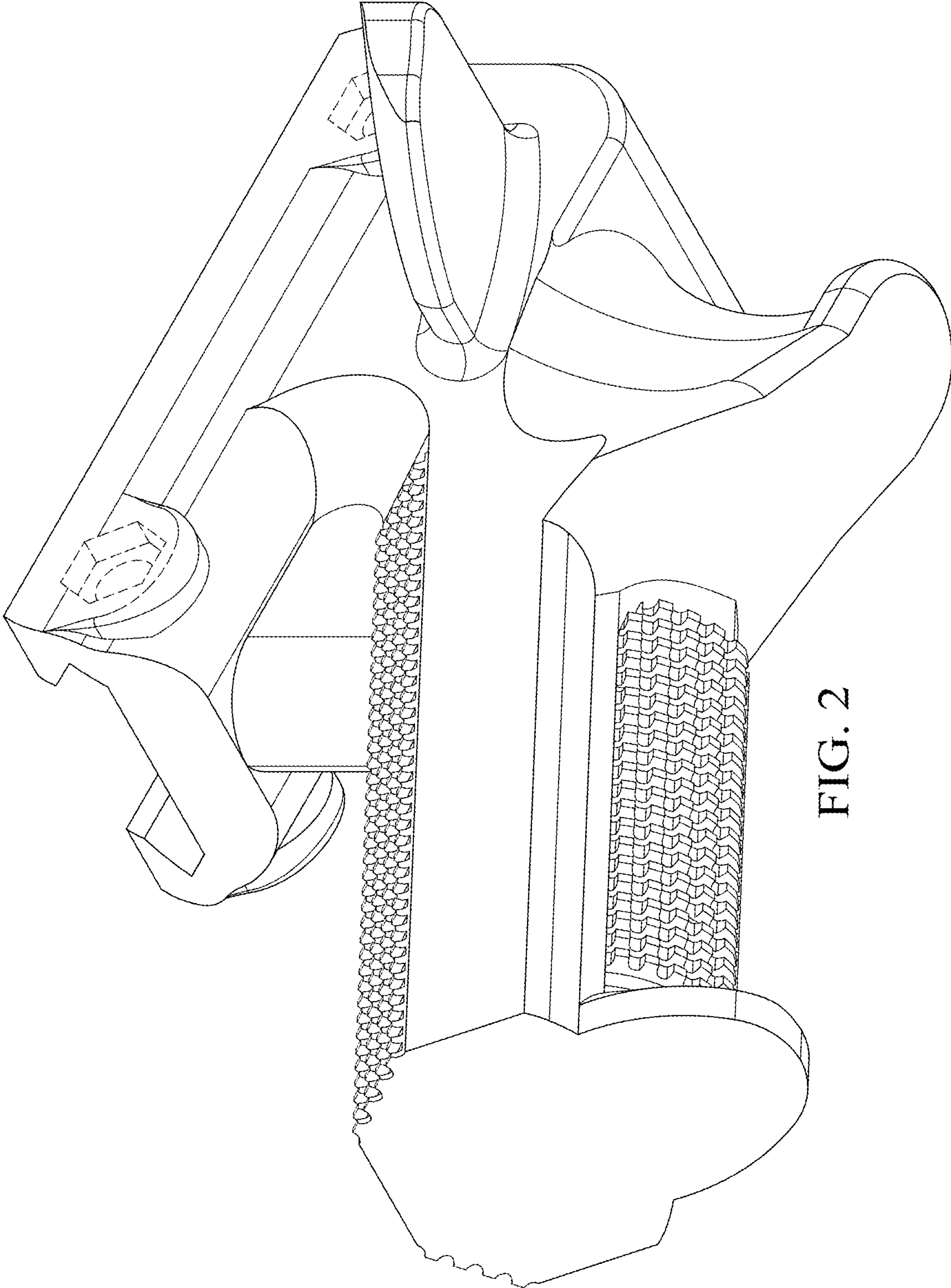


FIG. 2

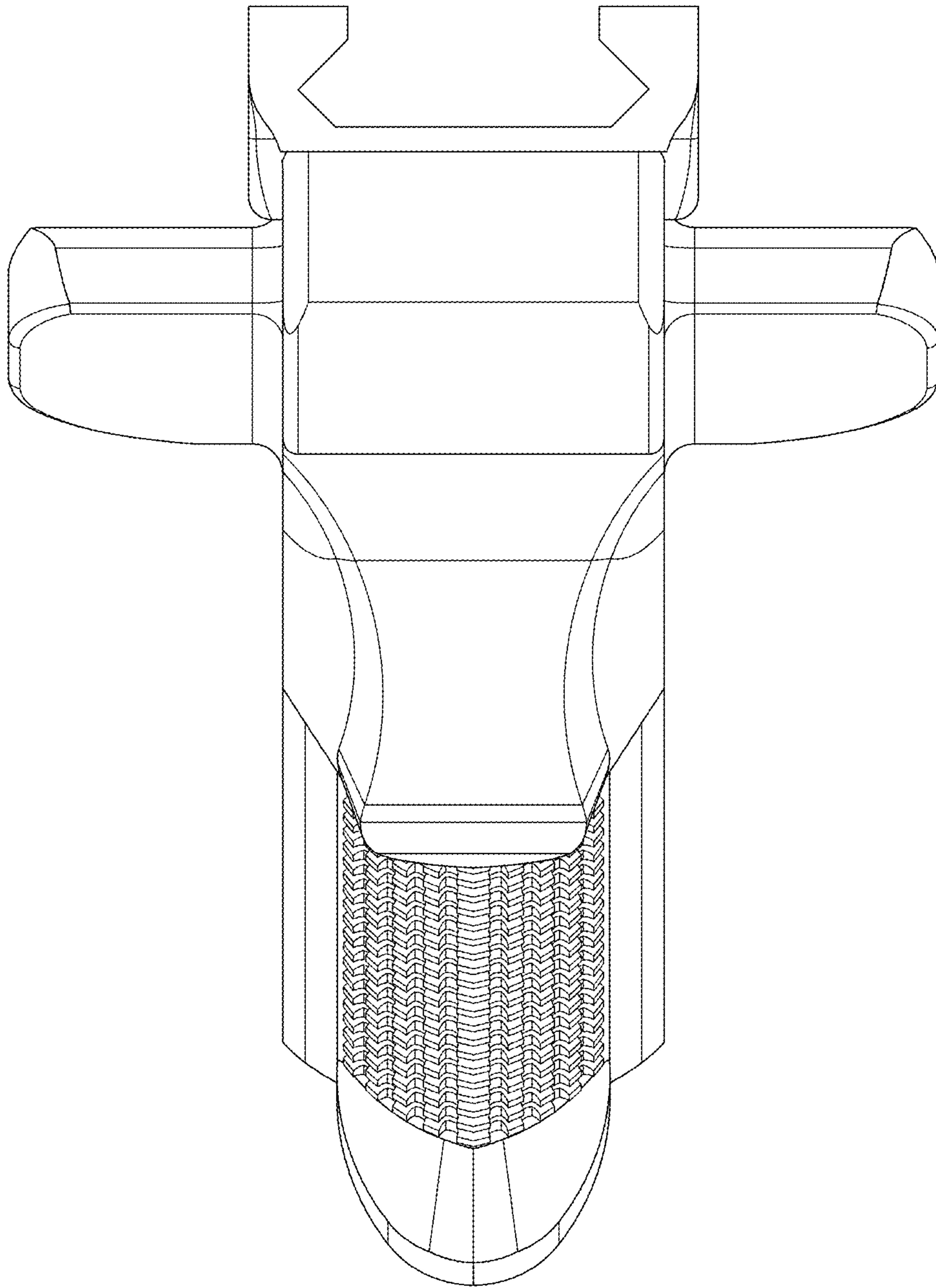


FIG. 3

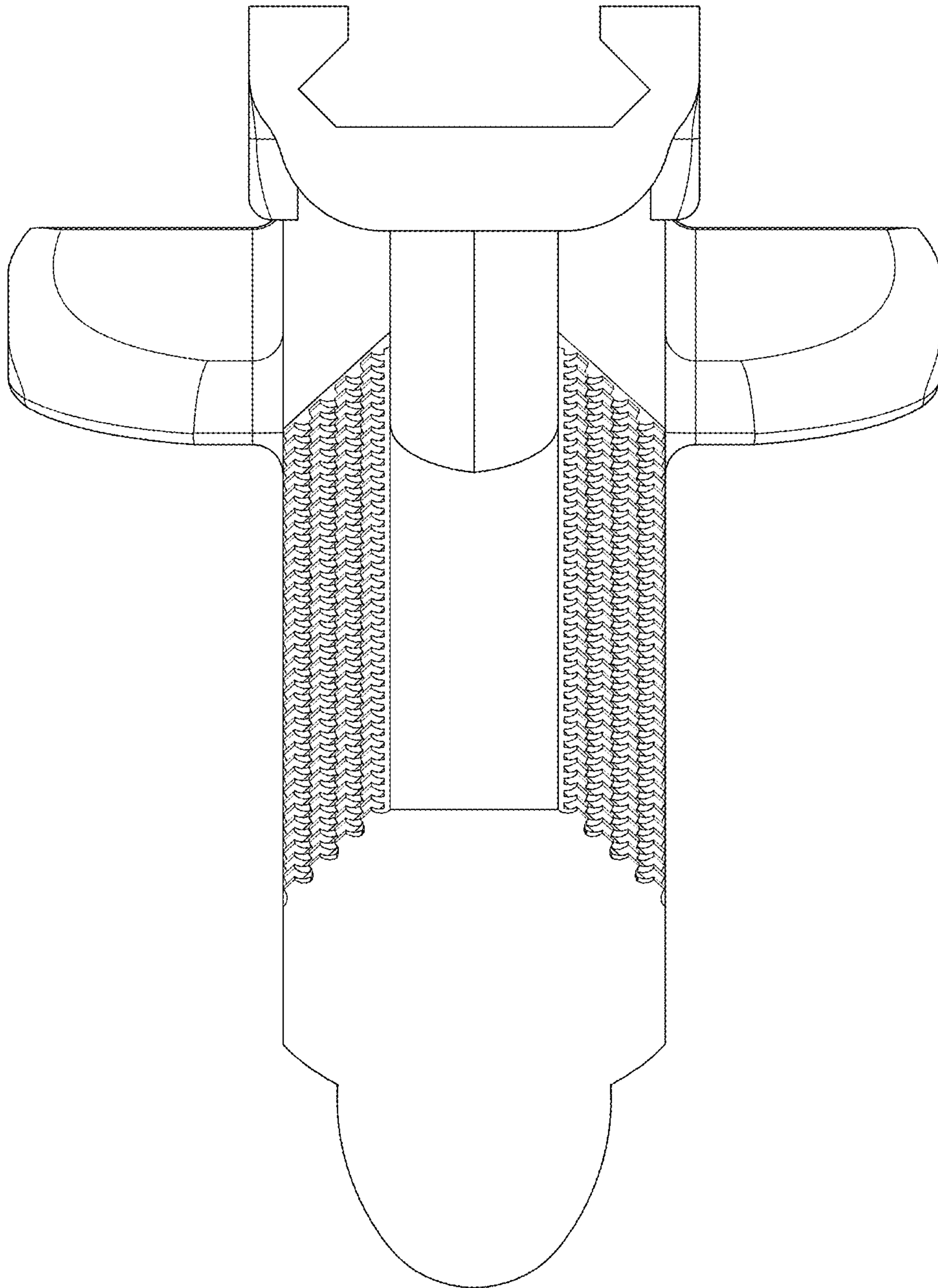


FIG. 4

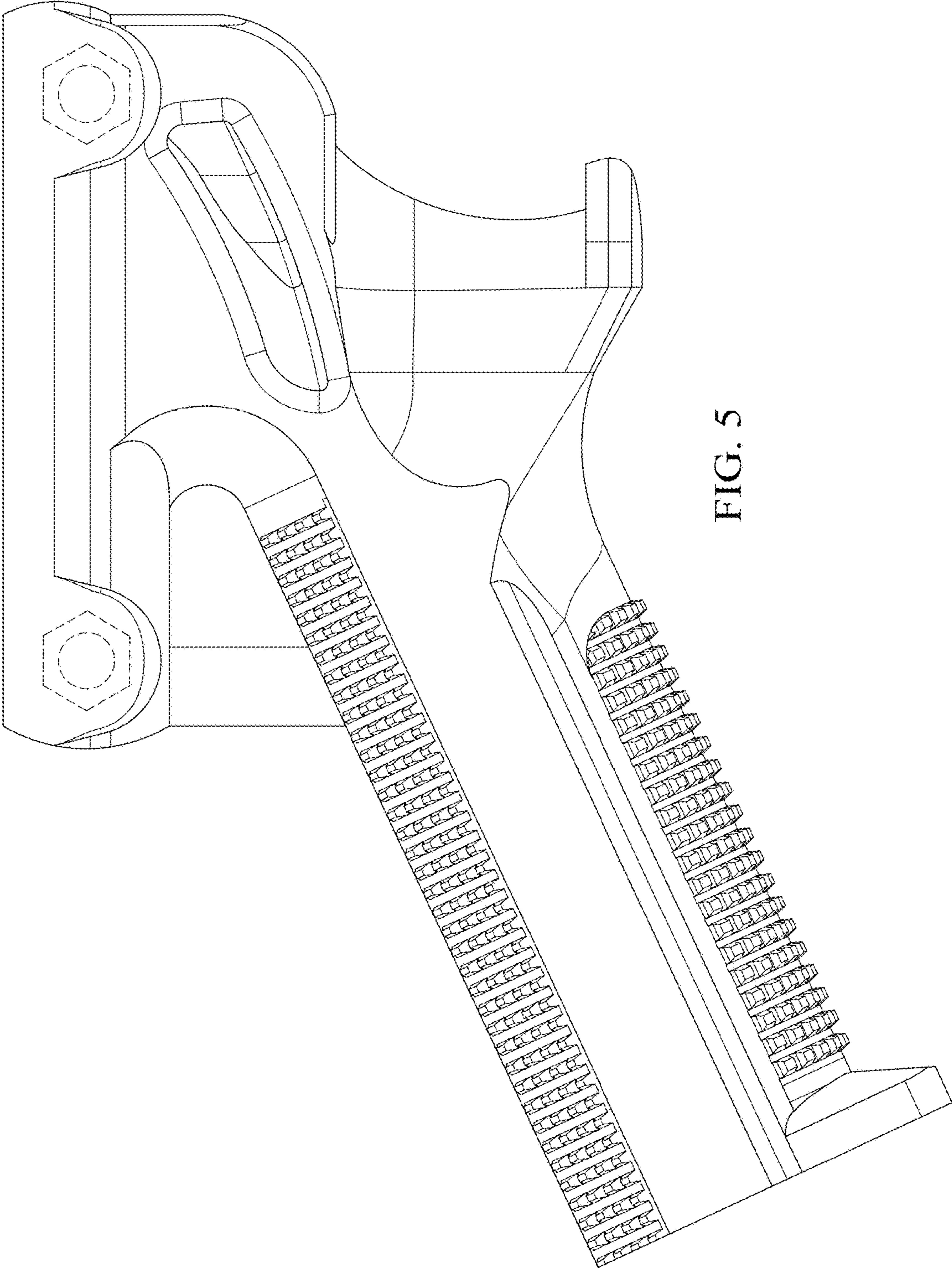


FIG. 5

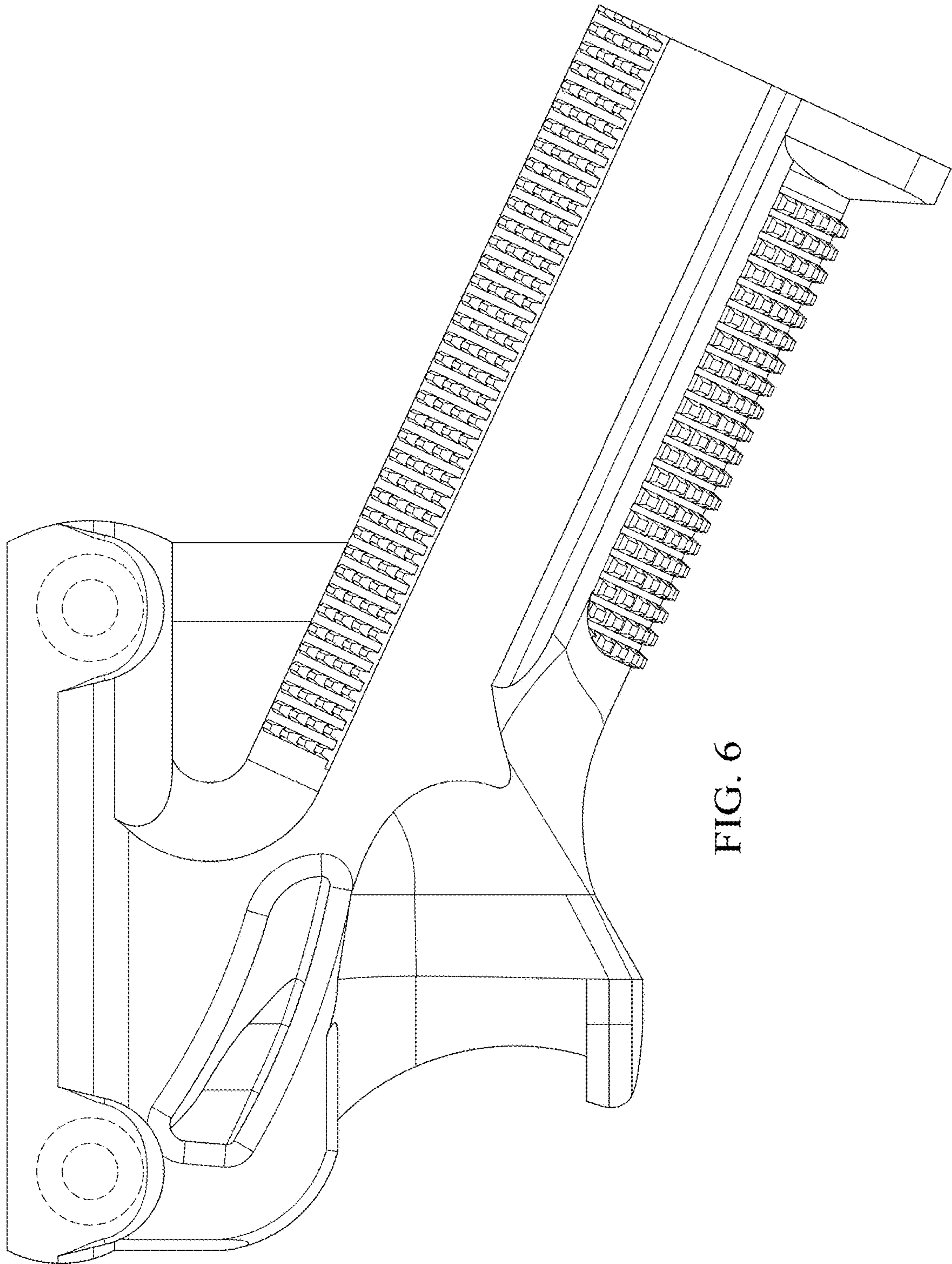


FIG. 6

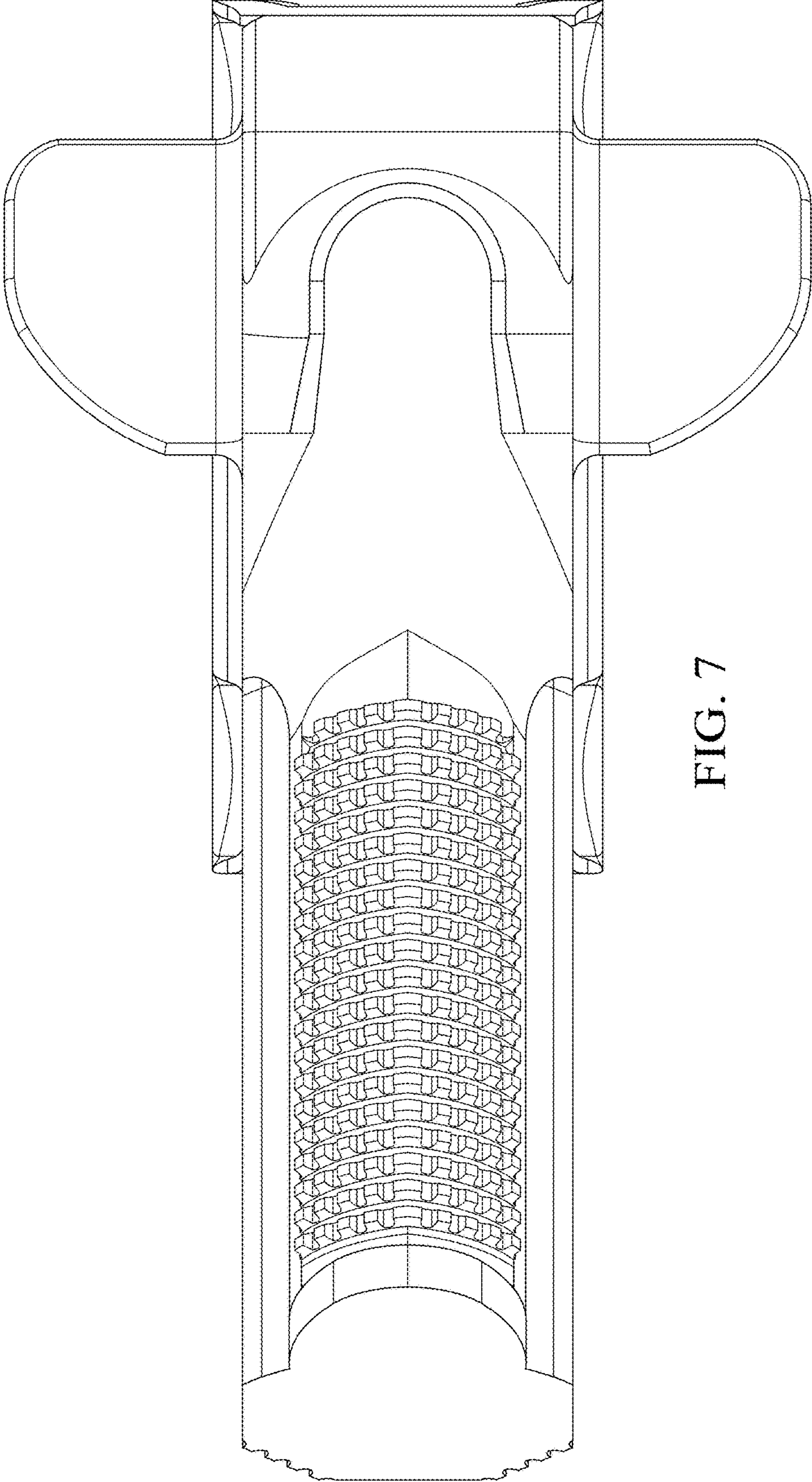


FIG. 7