



US00D786383S

(12) **United States Design Patent** (10) **Patent No.:** **US D786,383 S**  
**Saadon** (45) **Date of Patent:** **\*\* May 9, 2017**

(54) **ANGLED GRIP**

(71) Applicant: **FXD, LLC**, Austin, TX (US)

(72) Inventor: **Marschell B Saadon**, Round Rock, TX (US)

(73) Assignee: **FXD, LLC**, Austin, TX (US)

(\*\*) Term: **15 Years**

(21) Appl. No.: **29/549,843**

(22) Filed: **Dec. 28, 2015**

(51) **LOC (10) Cl.** ..... **22-01**

(52) **U.S. Cl.**

USPC ..... **D22/108**

(58) **Field of Classification Search**

USPC ..... D22/108, 100, 199; 362/109–114;  
42/90, 94, 114, 117, 124–127, 131, 146

CPC ..... F41C 23/10; F41C 23/14; F41C 23/16;  
F41C 23/18

See application file for complete search history.

(56) **References Cited**

**U.S. PATENT DOCUMENTS**

2,056,975	A	10/1936	Michal, Jr.	
2,899,767	A	8/1959	Bourdreau	
3,128,571	A	4/1964	Herrett	
4,475,437	A	10/1984	Sullivan	
5,048,215	A	9/1991	Davis	
6,782,781	B2	8/2004	Rack	
7,111,424	B1 *	9/2006	Moody	..... F41A 23/08 248/171
7,140,138	B1	11/2006	Laney	
7,454,858	B2 *	11/2008	Griffin	..... F41C 23/16 42/71.01
D585,517	S	1/2009	Faifer	
7,568,304	B1 *	8/2009	Moody	..... F41A 23/08 42/71.01
7,676,975	B2	3/2010	Phillips et al.	
D617,863	S *	6/2010	Moody	..... D22/108
D633,163	S *	2/2011	Fitzpatrick	..... D22/108

D642,651	S *	8/2011	Faifer	..... D22/108
D643,497	S *	8/2011	Fitzpatrick	..... D22/108
D644,707	S *	9/2011	Faifer	..... D22/108
D657,217	S *	4/2012	Chang	..... D8/107
D660,934	S *	5/2012	Faifer	..... D22/108
D665,043	S *	8/2012	Fitzpatrick	..... D22/108
8,245,428	B2	8/2012	Griffin	
8,533,987	B2	9/2013	Rogers	

(Continued)

**FOREIGN PATENT DOCUMENTS**

AU	WO8505442	*	12/1985	..... F41A 5/18
CN	2321482	*	6/1999	..... A62C 31/02
WO	WO2012021216	A2	2/2012	

**OTHER PUBLICATIONS**

FXD's Revolutionary Gun Grip | forceexdesign.com, Youtube.com, Published on Jul. 12, 2016, [online], [site visited Oct. 13, 2016]. <URL: <https://www.youtube.com/watch?v=S-0pL0izelA>>.\*

(Continued)

*Primary Examiner* — T. Chase Nelson

*Assistant Examiner* — Jonathan J Han

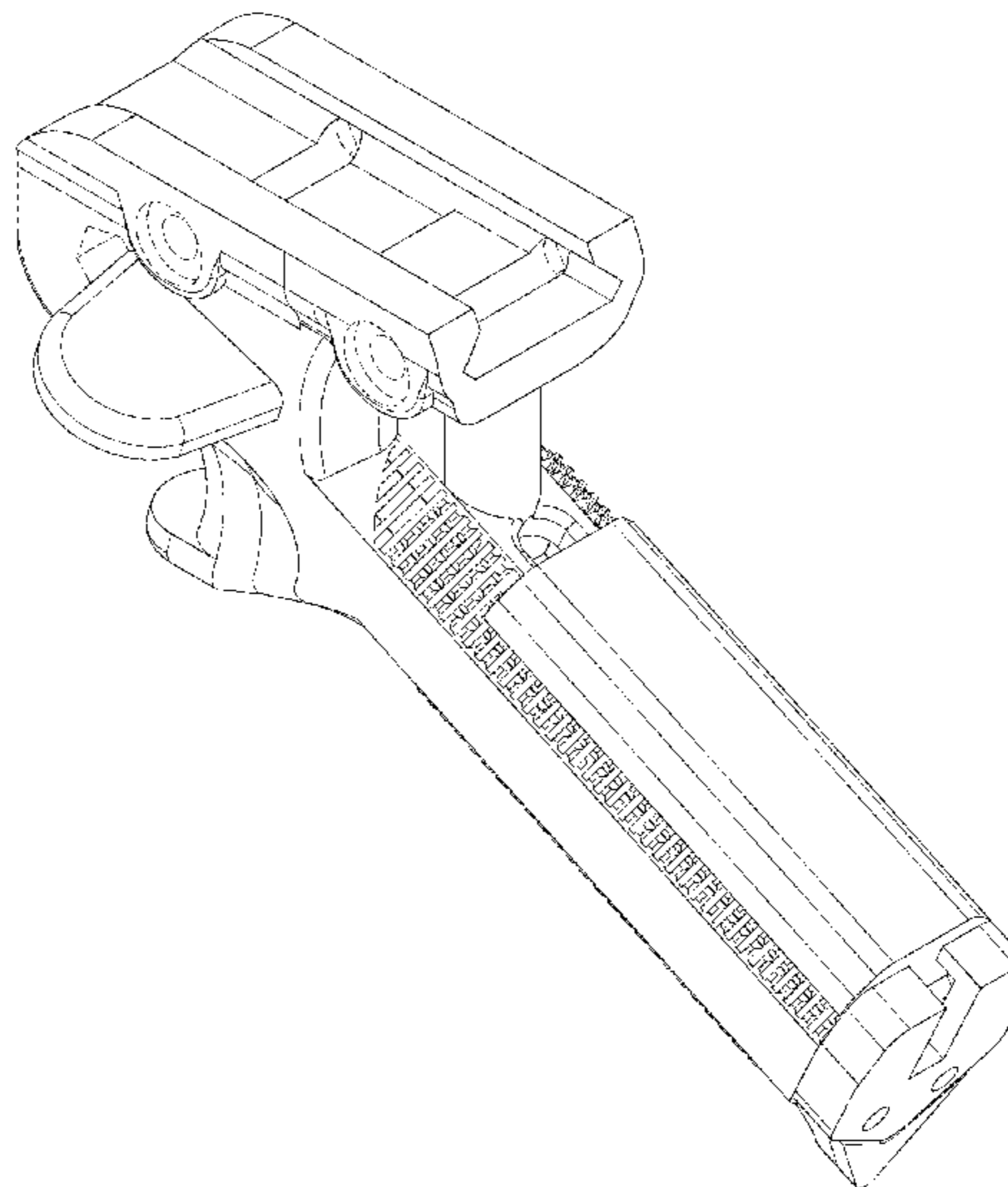
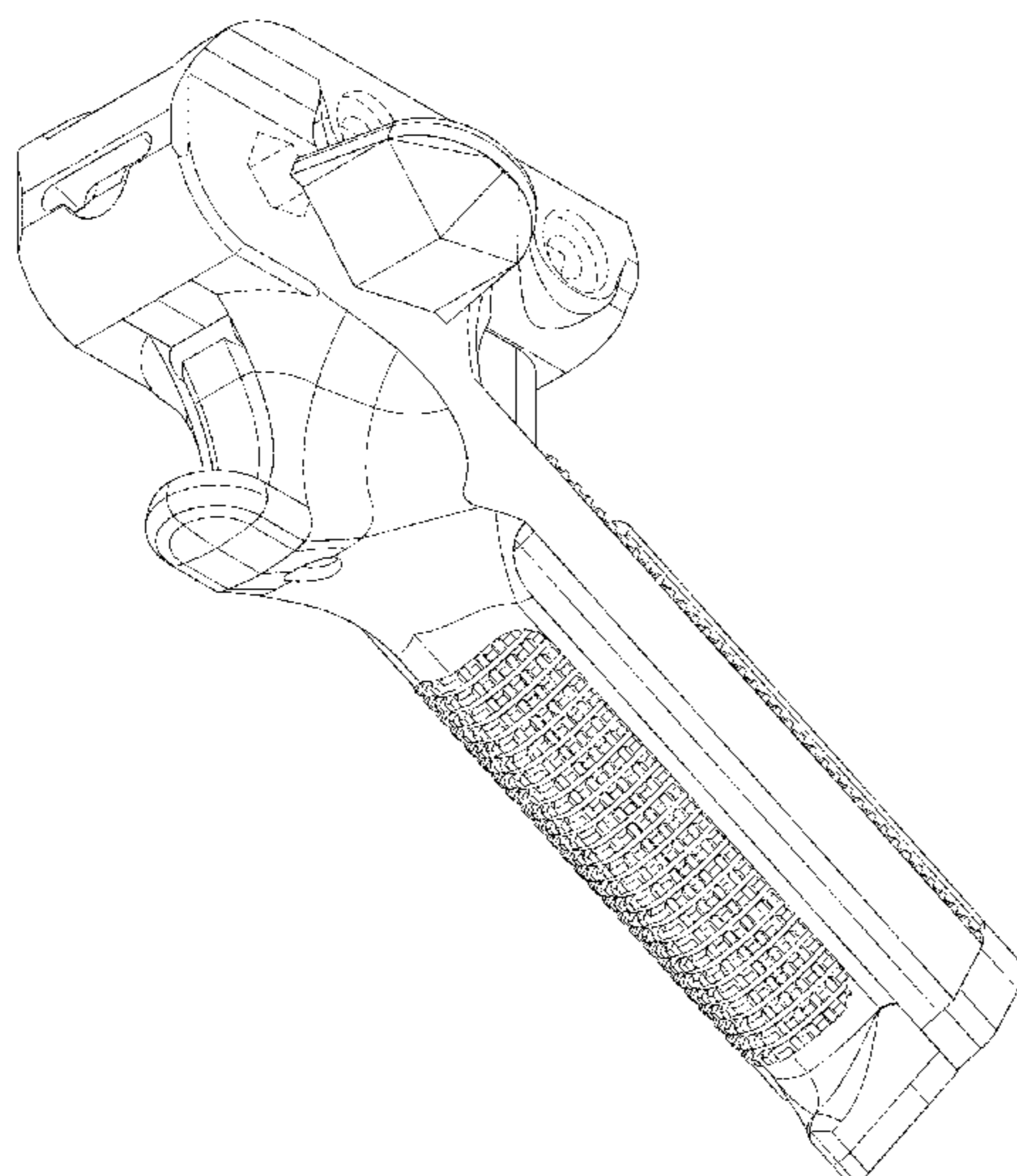
(57) **CLAIM**

The ornamental design for an angled grip, as shown and described.

**DESCRIPTION**

FIG. 1 is a perspective view of an angled grip; FIG. 2 is another perspective view thereof; FIG. 3 is a front view thereof; FIG. 4 is a rear view thereof; FIG. 5 and FIG. 6 are side views thereof; and, FIG. 7 is a bottom view thereof. The broken lines in the drawings are used to illustrate unclaimed parts in FIGS. 1, 2, 5 and 6 of an angled grip and form no part of the claimed design.

**1 Claim, 7 Drawing Sheets**



(56)

References Cited

U.S. PATENT DOCUMENTS

8,607,492 B2 12/2013 Hartley  
 D698,885 S \* 2/2014 Faifer ..... D22/108  
 8,707,604 B2 4/2014 Troy et al.  
 D704,298 S \* 5/2014 Cheng ..... D22/109  
 8,826,792 B1 9/2014 Granger  
 8,857,094 B2 10/2014 Michel  
 D726,278 S \* 4/2015 Ding ..... D22/108  
 D727,455 S \* 4/2015 Ding ..... D22/108  
 D728,054 S \* 4/2015 Webber ..... D22/108  
 9,010,008 B2 4/2015 Hovey  
 D734,418 S \* 7/2015 Hines ..... D22/108  
 9,182,194 B2 11/2015 Moore  
 D745,623 S \* 12/2015 Flores ..... D22/108  
 D745,624 S \* 12/2015 Flores ..... D22/108  
 D745,628 S \* 12/2015 Barfoot ..... D22/108  
 D745,629 S \* 12/2015 Barfoot ..... D22/108  
 D745,940 S \* 12/2015 Flores ..... D22/108  
 9,228,786 B2 1/2016 Sullivan  
 D749,186 S \* 2/2016 Cheng ..... D22/108  
 9,341,440 B2 \* 5/2016 Moore ..... F41C 23/16  
 9,423,208 B1 \* 8/2016 Mahmalji ..... F41C 23/16  
 2005/0246910 A1 11/2005 Mowers  
 2008/0010890 A1 \* 1/2008 Vice ..... F41C 23/16  
 42/72  
 2008/0141576 A1 \* 6/2008 Moody ..... F41A 23/08  
 42/72  
 2009/0193702 A1 \* 8/2009 Lin ..... F41C 23/16  
 42/72  
 2009/0194088 A1 8/2009 Tippmann, Jr.  
 2010/0031552 A1 2/2010 Houde-Walter  
 2010/0242332 A1 \* 9/2010 Teetzel ..... F41A 23/08  
 42/72  
 2011/0047850 A1 \* 3/2011 Rievley ..... F41C 23/16  
 42/72  
 2011/0047851 A1 3/2011 Mock  
 2011/0107643 A1 5/2011 Fitzpatrick et al.  
 2011/0173862 A1 \* 7/2011 Williams ..... F41C 27/00  
 42/72  
 2011/0179688 A1 \* 7/2011 Ash, Jr. .... F41C 23/16  
 42/72  
 2011/0185617 A1 8/2011 Brixius  
 2012/0272557 A1 \* 11/2012 Yan ..... F41C 23/12  
 42/69.01  
 2013/0074685 A1 3/2013 Cottle  
 2013/0205636 A1 \* 8/2013 Shull ..... F41C 23/16  
 42/72  
 2013/0239450 A1 9/2013 Michel

2013/0333263 A1 \* 12/2013 Hovey ..... F41C 23/16  
 42/72  
 2013/0340311 A1 12/2013 Marquez  
 2014/0245648 A1 9/2014 Nierenberg  
 2014/0373414 A1 12/2014 Nierenberg  
 2015/0233668 A1 8/2015 Moore  
 2016/0061560 A1 \* 3/2016 Saadon ..... F41G 11/003  
 42/72  
 2016/0245616 A1 \* 8/2016 Deraussee ..... F41C 23/14

OTHER PUBLICATIONS

WASP, FDX, LLC., forceexdesign.com, [online], [site visited Oct. 13, 2016]. <URL: <http://forceexdesign.com/product/wasp/>>.\*  
 FXD Product Teaser: WASP, Youtube.com, Published on Jul. 28, 2016, [online], [site visited Oct. 13, 2016]. <URL: [https://www.youtube.com/watch?v=Xz6hZ2\\_RauQ](https://www.youtube.com/watch?v=Xz6hZ2_RauQ)>.\*  
 AFG-2-Angled Fore Grip 1913 Picatinny, Magpul.com, [online], [site visited Oct. 13, 2016]. <URL: <https://www.magpul.com/products/afg-2>>.\*  
 Stark Equipment Express Angled Fore-Grip (Black), AirsoftGI.com, [online], [site visited Oct. 13, 2016]. <URL: [http://www.airsoftgi.com/product\\_info.php?products\\_id=15182](http://www.airsoftgi.com/product_info.php?products_id=15182)>.\*  
 U.S. Appl. No. 29/556,375, Angled Grip, Marschell B. Saadon, Feb. 29, 2016.  
 U.S. Appl. No. 29/556,376, Angled Grip, Marschell B. Saadon, Feb. 29, 2016.  
 U.S. Appl. No. 29/556,377, Angled Grip, Marschell B. Saadon, Feb. 29, 2016.  
 U.S. Appl. No. 29/556,378, Angled Grip, Marschell B. Saadon, Feb. 29, 2016.  
 U.S. Appl. No. 29/556,379, Vertical Grip, Marschell B. Saadon, Feb. 29, 2016.  
 U.S. Appl. No. 29/556,380, Firearm Thumb Support, Marschell B. Saadon, Feb. 29, 2016.  
 U.S. Appl. No. 29/556,387, Angled Grip, Marschell B. Saadon, Feb. 29, 2016.  
 U.S. Appl. No. 29/556,390, Angled Grip, Marschell B. Saadon, Feb. 29, 2016.  
 U.S. Appl. No. 29/556,400, Angled Grip, Marschell B. Saadon, Feb. 29, 2016.  
 U.S. Appl. No. 29/549,844, Angled Grip, Marschell B. Saadon, Dec. 28, 2015.

\* cited by examiner



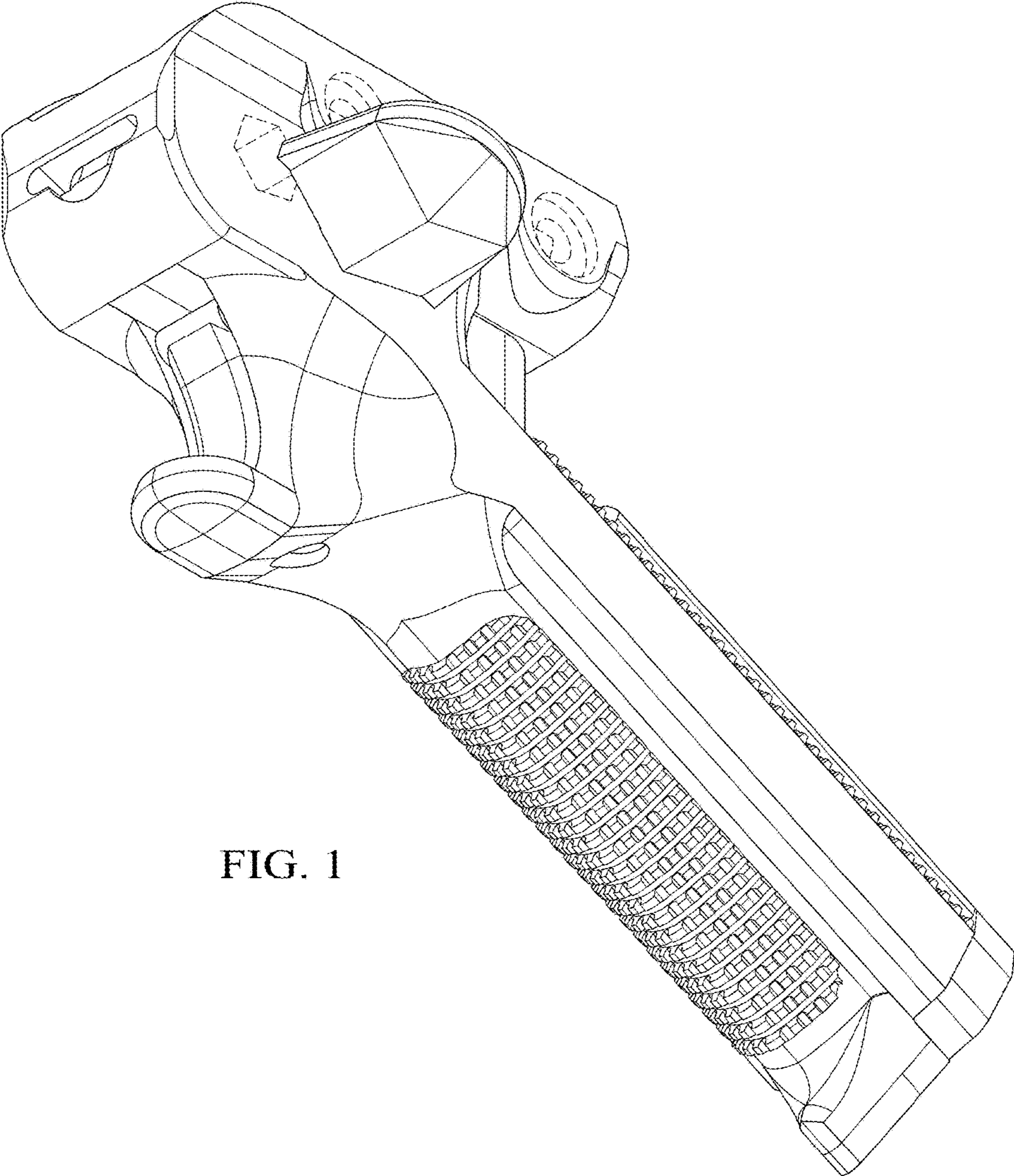


FIG. 1

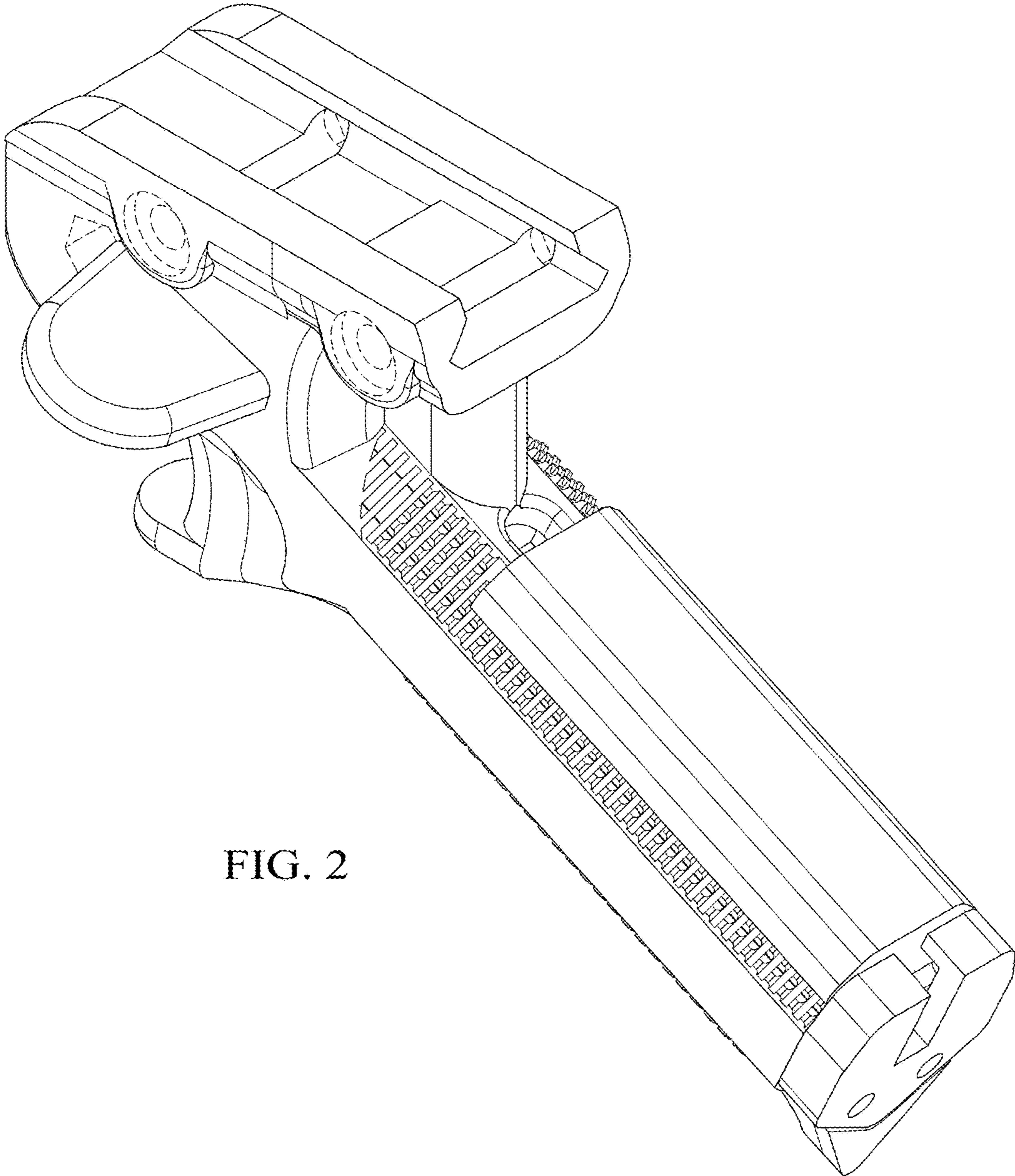


FIG. 2

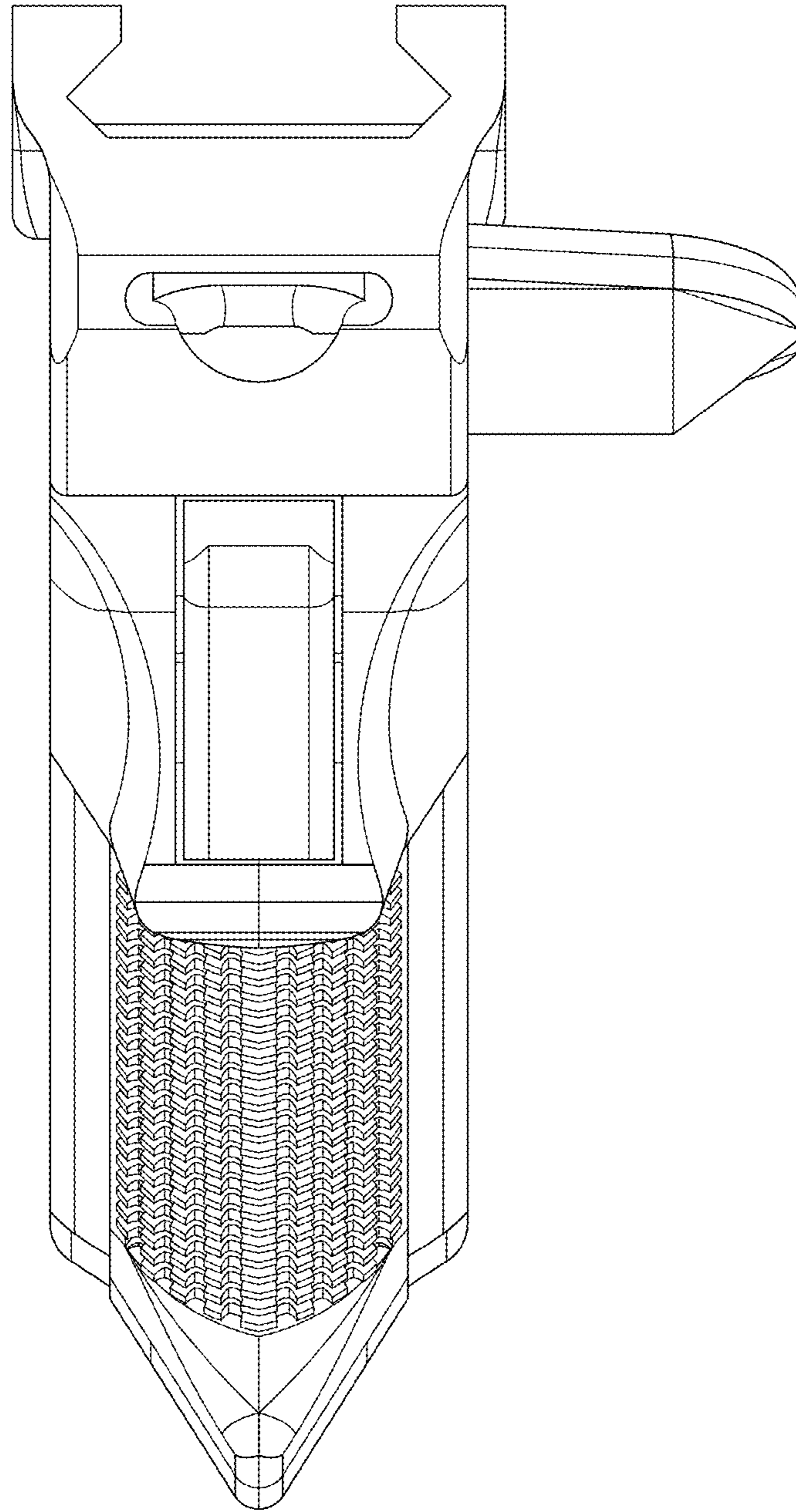


FIG. 3

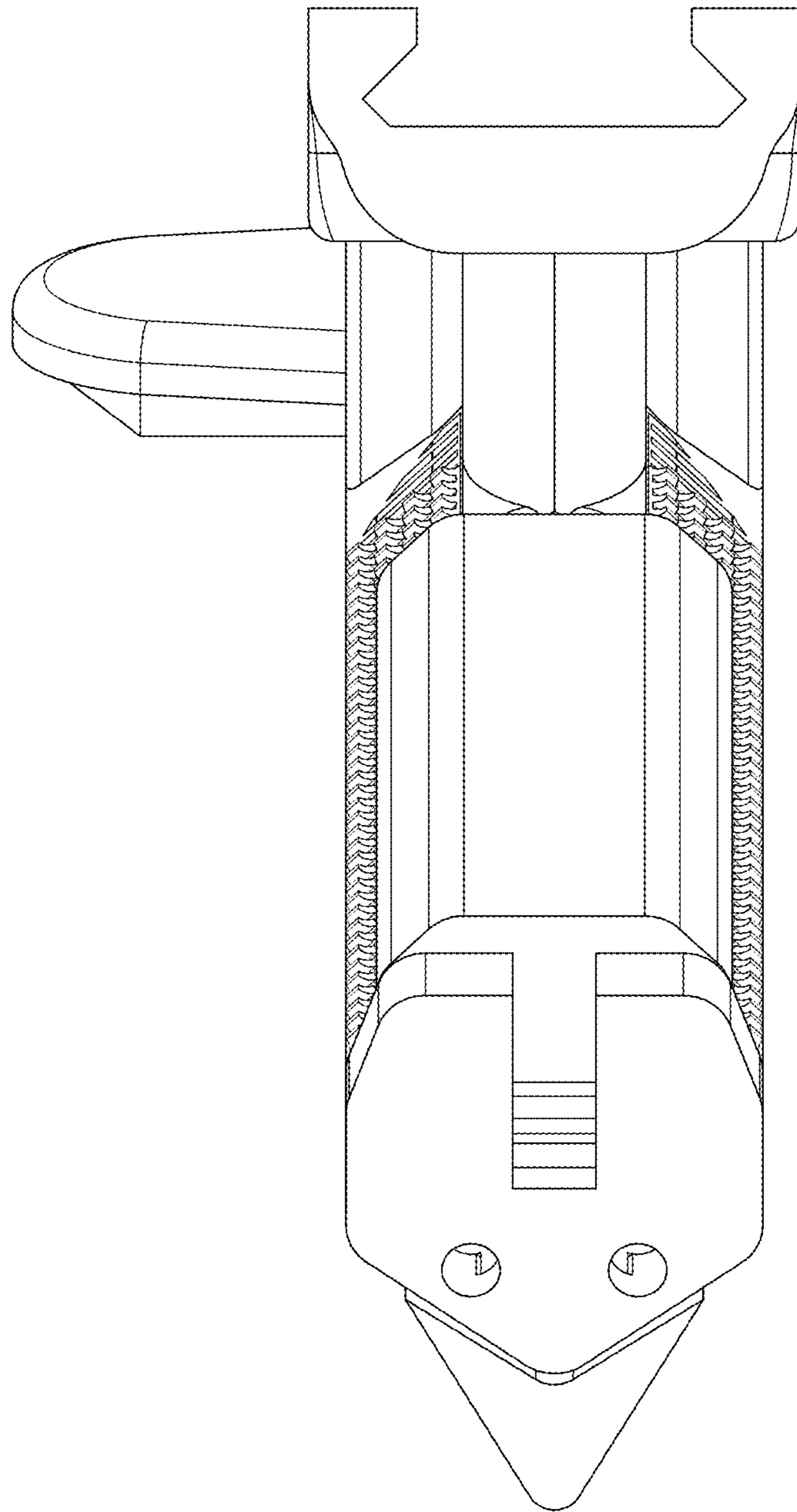


FIG. 4



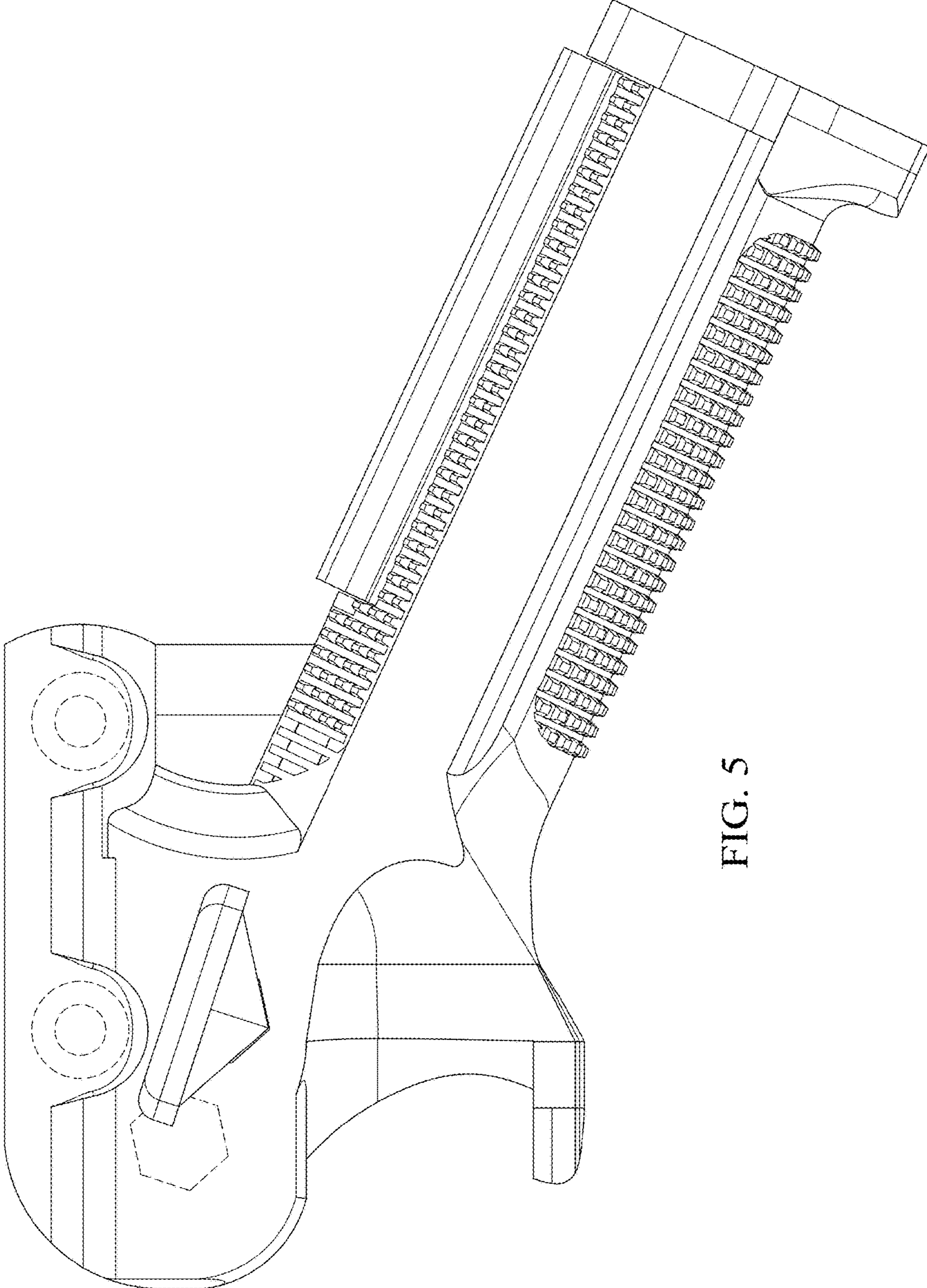


FIG. 5

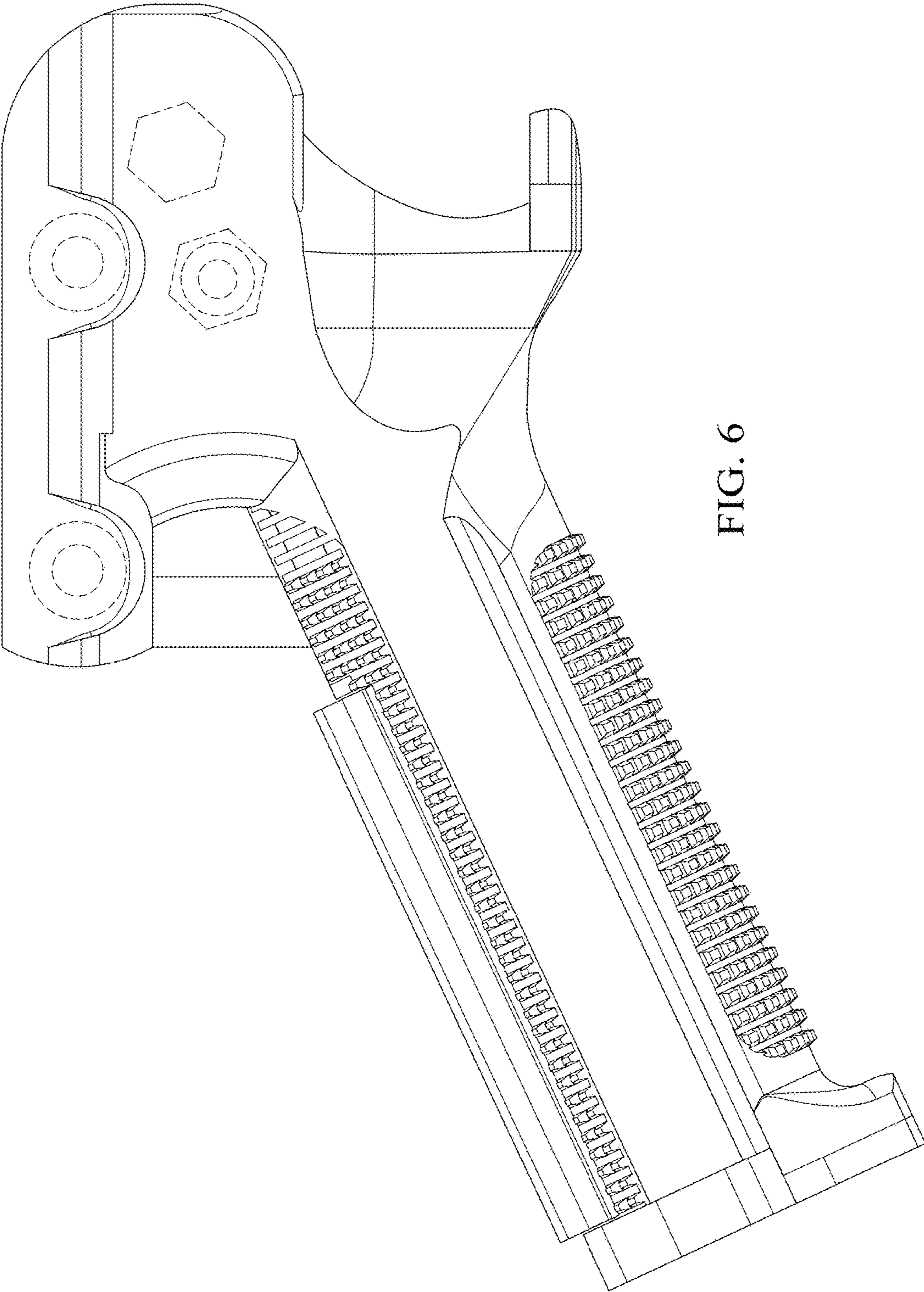


FIG. 6



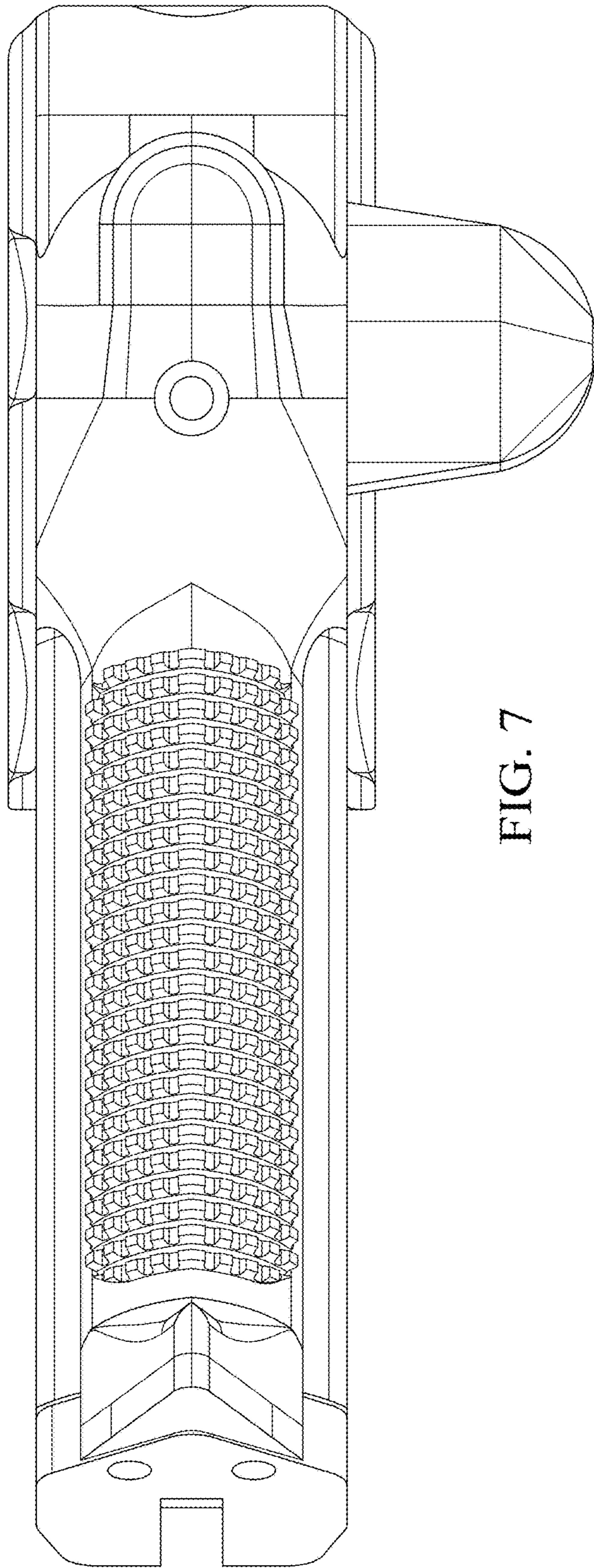


FIG. 7