



US00D786381S

(12) **United States Design Patent** (10) **Patent No.:** **US D786,381 S**  
**Heinrich** (45) **Date of Patent:** **\*\* May 9, 2017**

(54) **BONE-SHAPED FLOAT**  
(71) Applicant: **Big Dog Floats, L.L.C.**, St. Louis, MO (US)  
(72) Inventor: **Jeffrey D. Heinrich**, St. Louis, MO (US)  
(\*\*) Term: **15 Years**  
(21) Appl. No.: **29/586,456**  
(22) Filed: **Dec. 3, 2016**  
(51) **LOC (10) Cl.** ..... **21-02**  
(52) **U.S. Cl.**  
USPC ..... **D21/808**  
(58) **Field of Classification Search**  
USPC ..... D21/769-770, 801, 803, 808, 809;  
114/253, 345-346; 441/35, 66, 74,  
441/40-42, 129-132; 472/128-129;  
D12/5, 6, 316; D6/392, 595, 596, 601,  
D6/604, 605  
CPC ..... B63B 35/76; A45C 3/00  
See application file for complete search history.

D473,021 S 4/2003 Gourley  
D475,603 S 6/2003 Kelleghan  
D476,808 S \* 7/2003 Carr ..... D3/271.2  
D481,867 S \* 11/2003 Hotz ..... D3/271.2  
D487,327 S 3/2004 Andersen et al.  
D523,591 S 6/2006 Kreamer  
D529,279 S 10/2006 Parks  
D540,181 S 4/2007 Edwards  
D551,562 S 9/2007 Considine et al.  
D551,977 S 10/2007 Daniels  
D560,860 S 1/2008 Orsburn  
D576,357 S 9/2008 Rutherford et al.  
D620,207 S 7/2010 Byrne  
D621,103 S \* 8/2010 Kim ..... D30/160  
7,793,618 B2 9/2010 Edwards et al.  
D632,743 S \* 2/2011 Mueller ..... D21/333  
D634,506 S 3/2011 de Socio  
D635,306 S \* 3/2011 Morton ..... D30/160  
D638,591 S \* 5/2011 Spurgeon ..... D30/161  
8,087,387 B2 1/2012 Gamble et al.  
D657,924 S 4/2012 Soegaard

(Continued)

Primary Examiner — Zenia Bennett  
(74) Attorney, Agent, or Firm — Sean G. Goodwin

(57) **CLAIM**

The ornamental design for a bone-shaped float, as shown and described.

**DESCRIPTION**

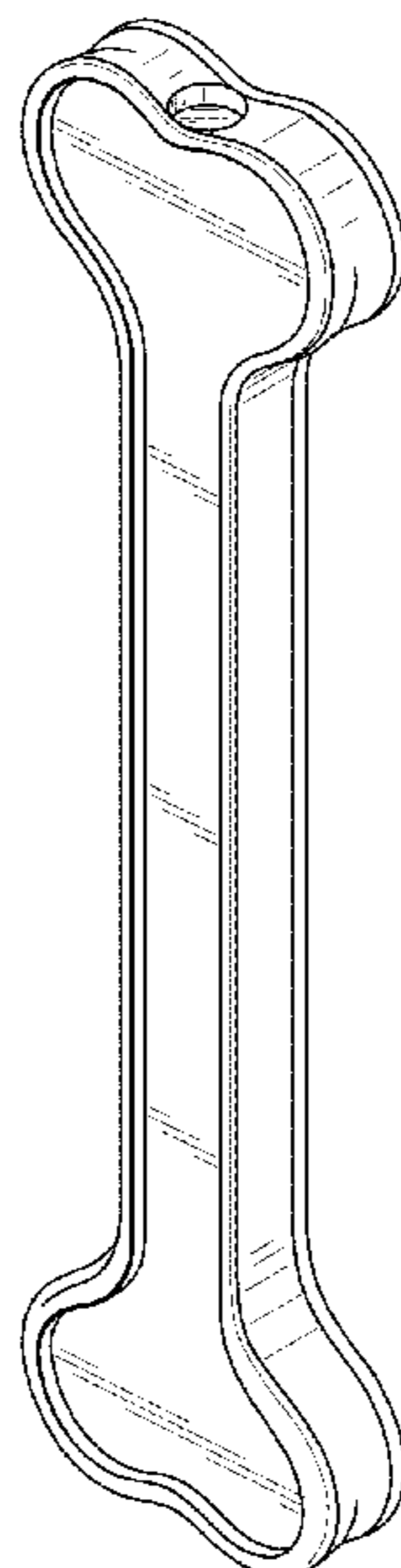
FIG. 1 is a top, front, and right side perspective view of a float embodying my new design;  
FIG. 2 is a bottom, front, and left side perspective view thereof;  
FIG. 3 is a front elevation view thereof, the rear elevation being a mirror image;  
FIG. 4 is a right side elevation view thereof, the left side being a mirror image; and,  
FIG. 5 is a top plan view thereof, the bottom plan view being a mirror image.

**1 Claim, 2 Drawing Sheets**

(56) **References Cited**

**U.S. PATENT DOCUMENTS**

3,871,334 A 3/1975 Axelrod  
4,148,199 A 4/1979 Boykin  
4,557,219 A 12/1985 Edwards  
D305,951 S 2/1990 Spiel et al.  
5,144,709 A 9/1992 Rooney  
5,149,314 A 9/1992 Ciolino et al.  
D340,491 S 10/1993 Nass  
D394,414 S \* 5/1998 Catalano ..... D1/199  
D407,185 S 3/1999 Marcks  
5,912,285 A 6/1999 Godsey  
D422,761 S 4/2000 Zalevsky  
D424,281 S \* 5/2000 Jebber ..... D2/869  
D428,136 S 7/2000 Cady et al.  
D442,714 S 5/2001 Warden



(56)

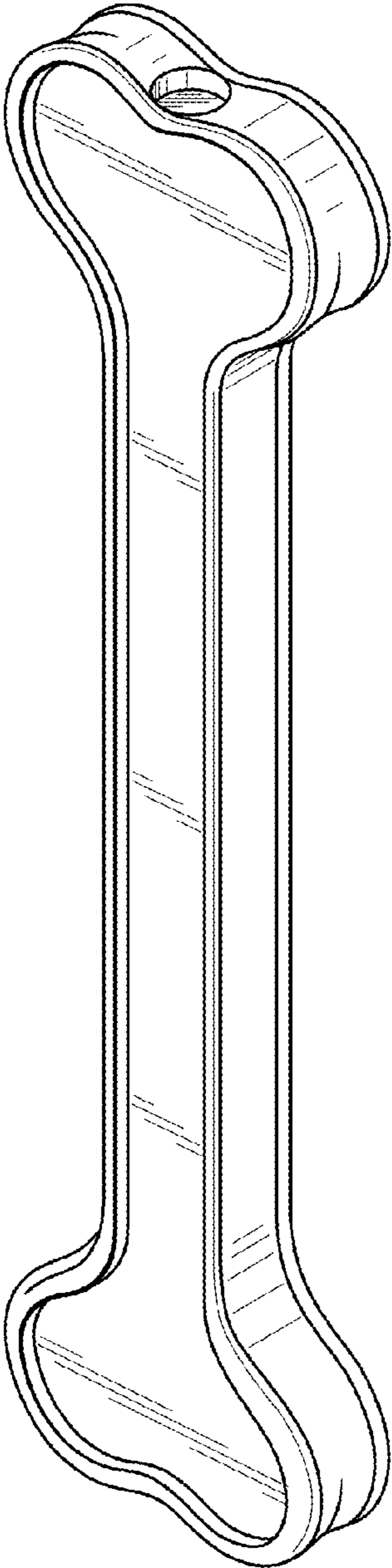
**References Cited**

U.S. PATENT DOCUMENTS

D661,895	S	6/2012	Kinnard	
D665,577	S	* 8/2012	Hollinger .....	D3/271.1
D671,599	S	* 11/2012	Herndon .....	D20/29
D672,191	S	12/2012	Hollinger	
D679,196	S	4/2013	Dos Santos et al.	
D713,999	S	* 9/2014	Byrne .....	D30/160
D720,929	S	1/2015	Felice	
D740,101	S	* 10/2015	Chance .....	D8/330
D740,500	S	* 10/2015	Wickens .....	D30/160
D760,561	S	* 7/2016	Felice .....	D3/271.1
2003/0150402	A1	8/2003	Muller	
2006/0081195	A1	4/2006	Jiang	
2006/0272588	A1	12/2006	Decroix	
2008/0003270	A1	1/2008	Garcia Martinez	
2008/0014311	A1	1/2008	Tepper et al.	
2008/0029045	A1	2/2008	Willinger	
2008/0193607	A1	8/2008	Tepper et al.	
2009/0025649	A1	1/2009	Gamble et al.	
2010/0003439	A1	1/2010	Michie, Jr. et al.	
2010/0203277	A1	8/2010	Michie, Jr. et al.	
2011/0318514	A1	12/2011	Patterson et al.	
2015/0059231	A1	3/2015	Williams	

\* cited by examiner

**Fig. 1**



**Fig. 2**

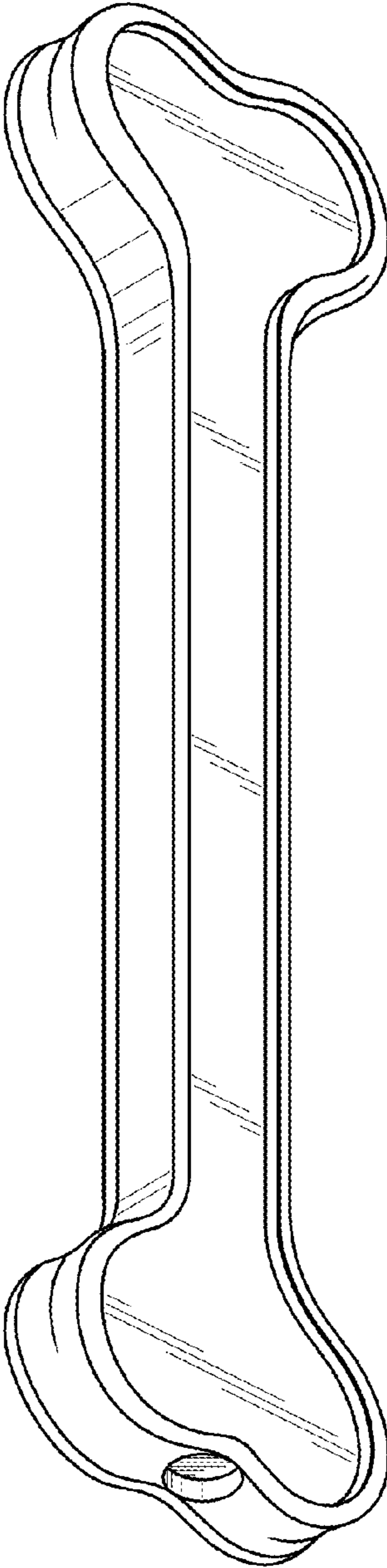


Fig. 3

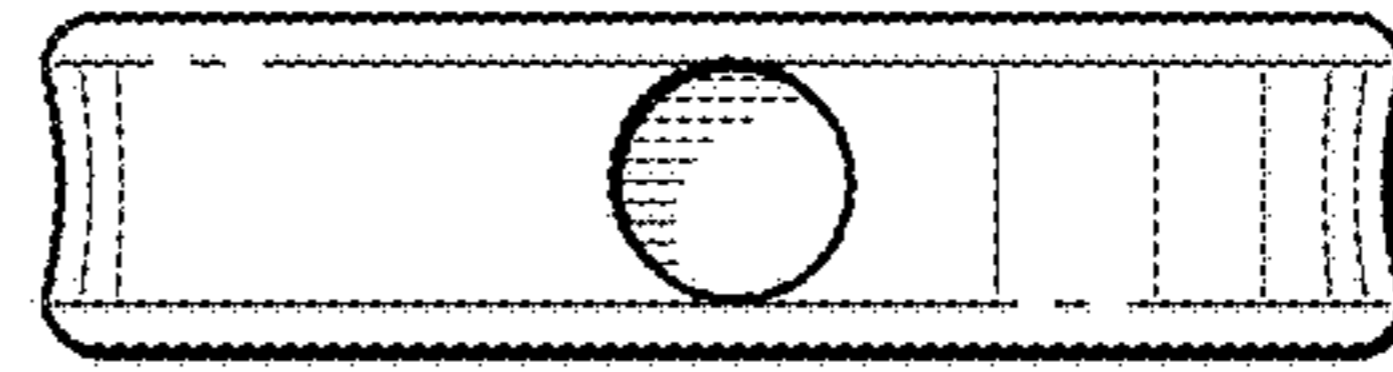


Fig. 4

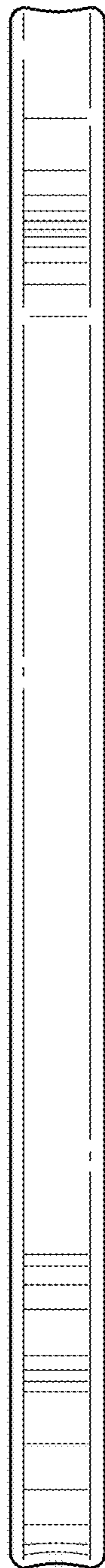


Fig. 5

