



US00D786380S

(12) **United States Design Patent**
Chang

(10) **Patent No.:** **US D786,380 S**

(45) **Date of Patent:** **** May 9, 2017**

(54) **HURDLE**

(71) Applicant: **Chih-Hao Chang**, Chiayi (TW)

(72) Inventor: **Chih-Hao Chang**, Chiayi (TW)

(**) Term: **15 Years**

(21) Appl. No.: **29/552,133**

(22) Filed: **Jan. 20, 2016**

(51) **LOC (10) Cl.** **21-02**

(52) **U.S. Cl.**
USPC **D21/800**

(58) **Field of Classification Search**

USPC D21/300, 302, 303, 306, 337, 662, 698,
D21/699, 706, 790, 797, 800; D30/160;
D10/113.3, 113.4; D6/332; D25/38.1
CPC A63C 19/00; A63C 19/06; A63C 19/062;
A63C 19/08; A63C 19/085; A63K 3/04;
A63K 3/043; A63K 3/046; A63B 5/00;
A63B 5/02; A63B 5/12; A63B 5/16;
A63B 2244/08; A63B 2244/088; A63B
2244/24; A63B 63/00; A63B 63/004;
A63B 63/007; A63B 63/008; A63B
2063/001; A63B 2063/002; A63B
2063/005; A63B 69/00; A63B 69/0028;
E01F 9/654; E01F 9/688

See application file for complete search history.

(56) **References Cited**

U.S. PATENT DOCUMENTS

615,443 A * 12/1898 Foster A63B 5/02
256/73
1,013,386 A * 1/1912 Gilkey A63B 5/02
482/17
1,561,186 A * 11/1925 Reach A63K 3/043
482/17
1,910,080 A * 5/1933 Austin A63K 3/043
482/17

2,206,501 A * 7/1940 Gill A63K 3/043
482/17
2,706,631 A * 4/1955 Holmes A63K 3/043
248/170
D175,468 S * 8/1955 Holmes D21/800
2,718,397 A * 9/1955 Verkuilen A63K 3/043
248/157
3,384,367 A * 5/1968 Baum A63K 3/043
482/17
D265,433 S * 7/1982 Koenig D21/800
4,892,302 A * 1/1990 Daigle A63B 5/00
473/440
7,666,119 B1 * 2/2010 Jhang A63K 3/043
482/23
7,785,233 B1 * 8/2010 Moore A63K 3/043
482/15

FOREIGN PATENT DOCUMENTS

FR 2041937 A5 * 2/1971 A63K 3/043
GB 243633 A * 12/1925 A63K 3/043

* cited by examiner

Primary Examiner — Catherine Tuttle

(74) *Attorney, Agent, or Firm* — LeClairRyan

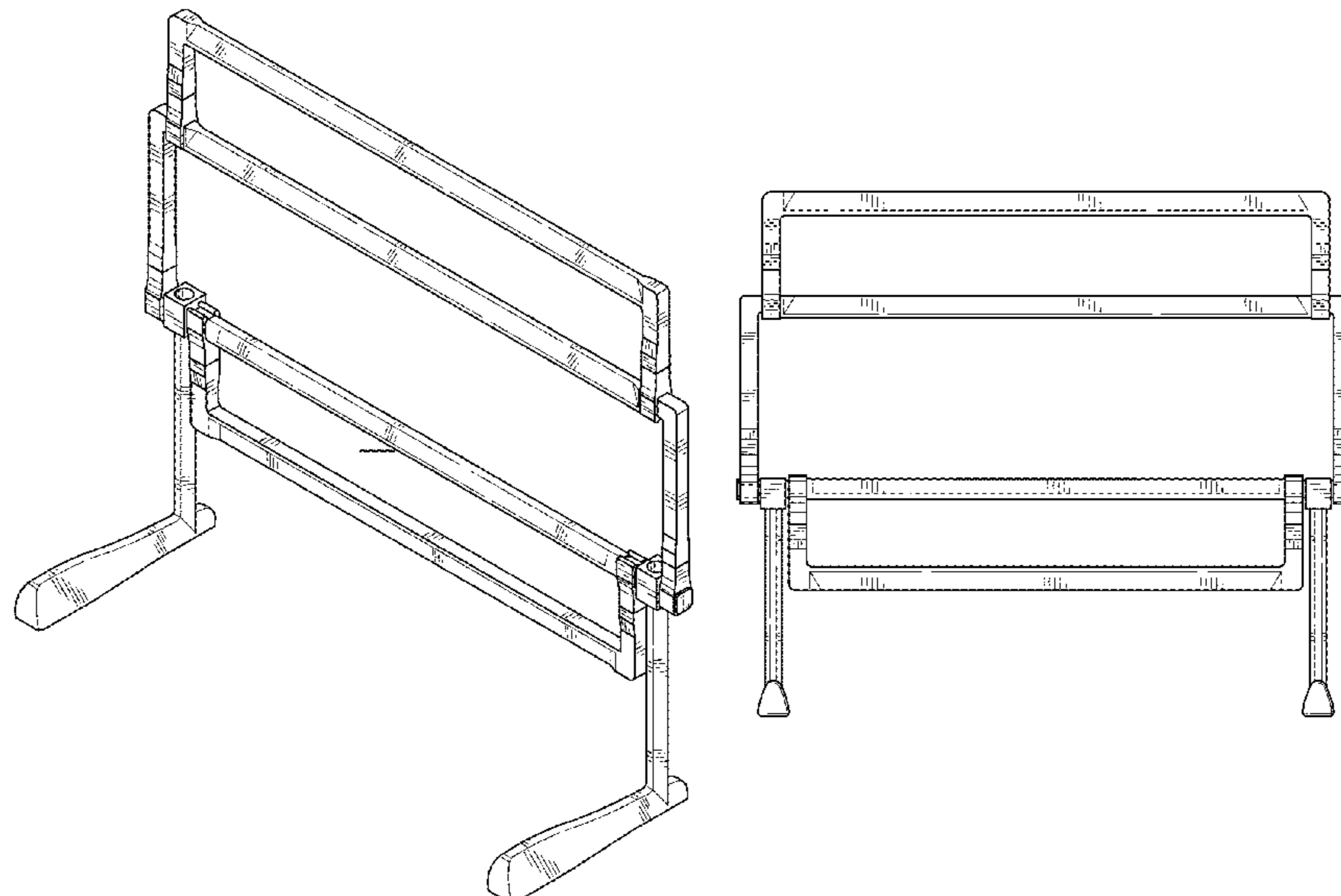
(57) **CLAIM**

The ornamental design for a hurdle, as shown and described.

DESCRIPTION

FIG. 1 is a perspective view of the hurdle showing my new design;
FIG. 2 is a front elevational view thereof;
FIG. 3 is a rear elevational view thereof;
FIG. 4 is a left side elevational view thereof;
FIG. 5 is a right side elevational view thereof;
FIG. 6 is a top plan view thereof; and,
FIG. 7 is a bottom plan view thereof.

1 Claim, 4 Drawing Sheets



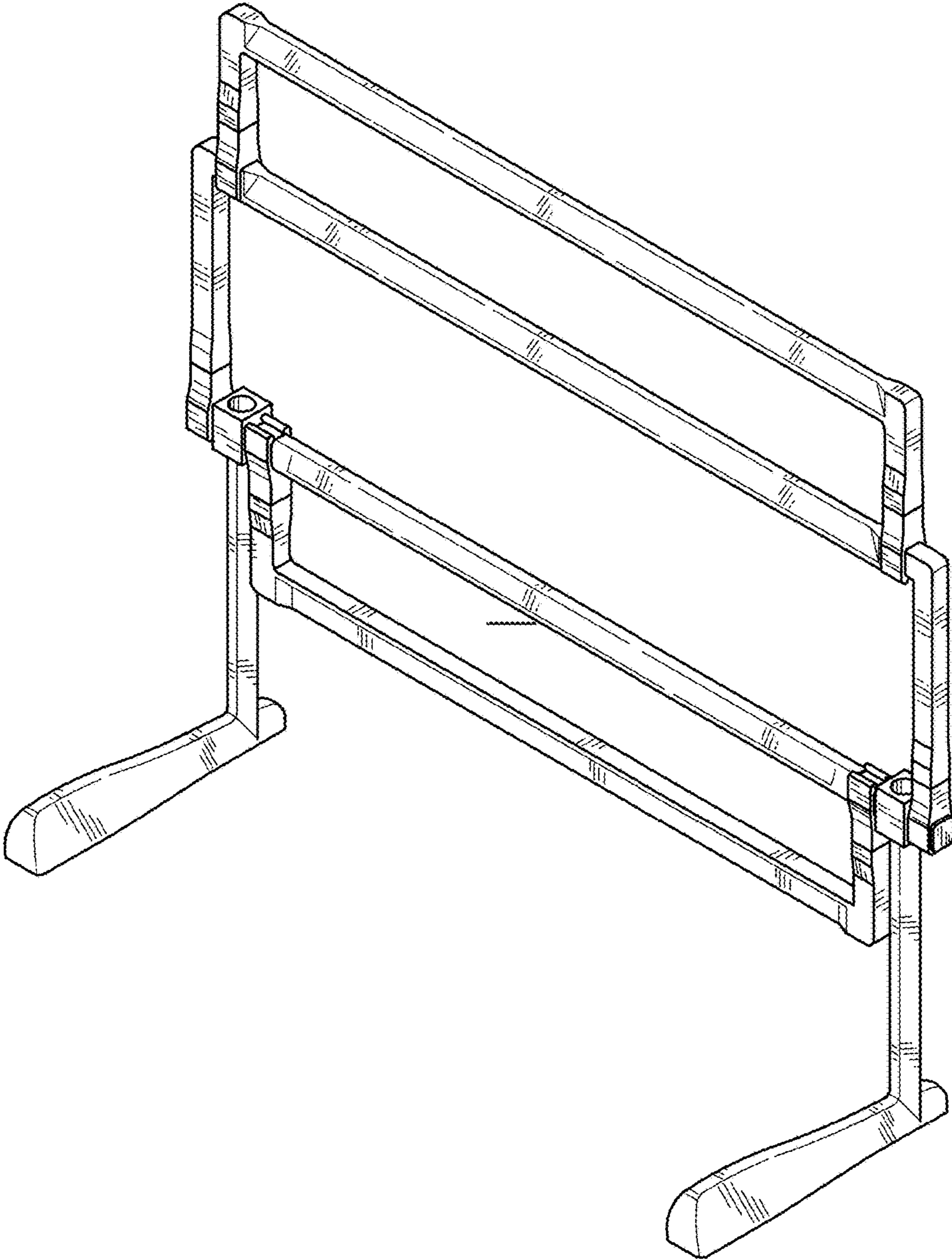


FIG. 1

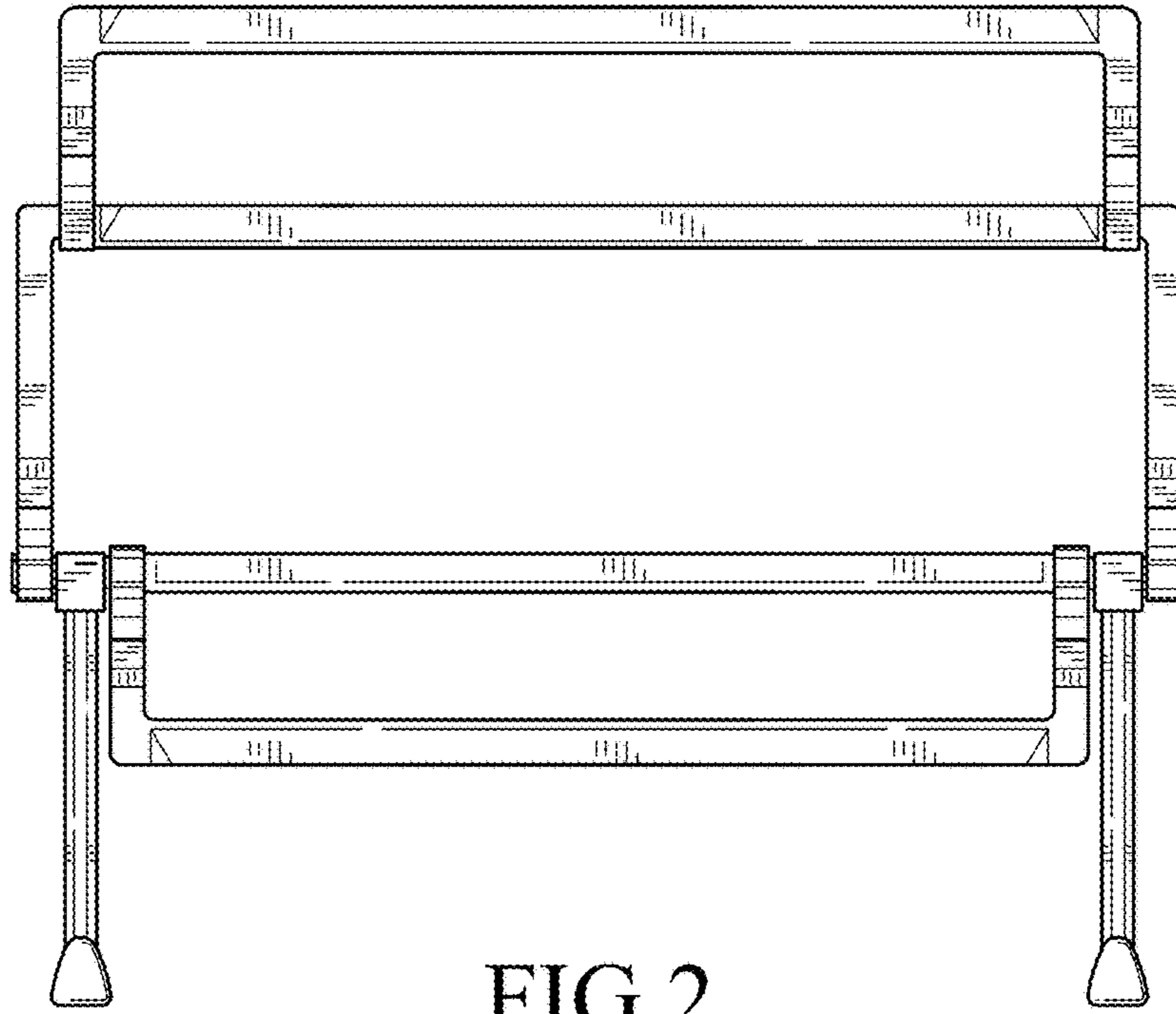


FIG. 2

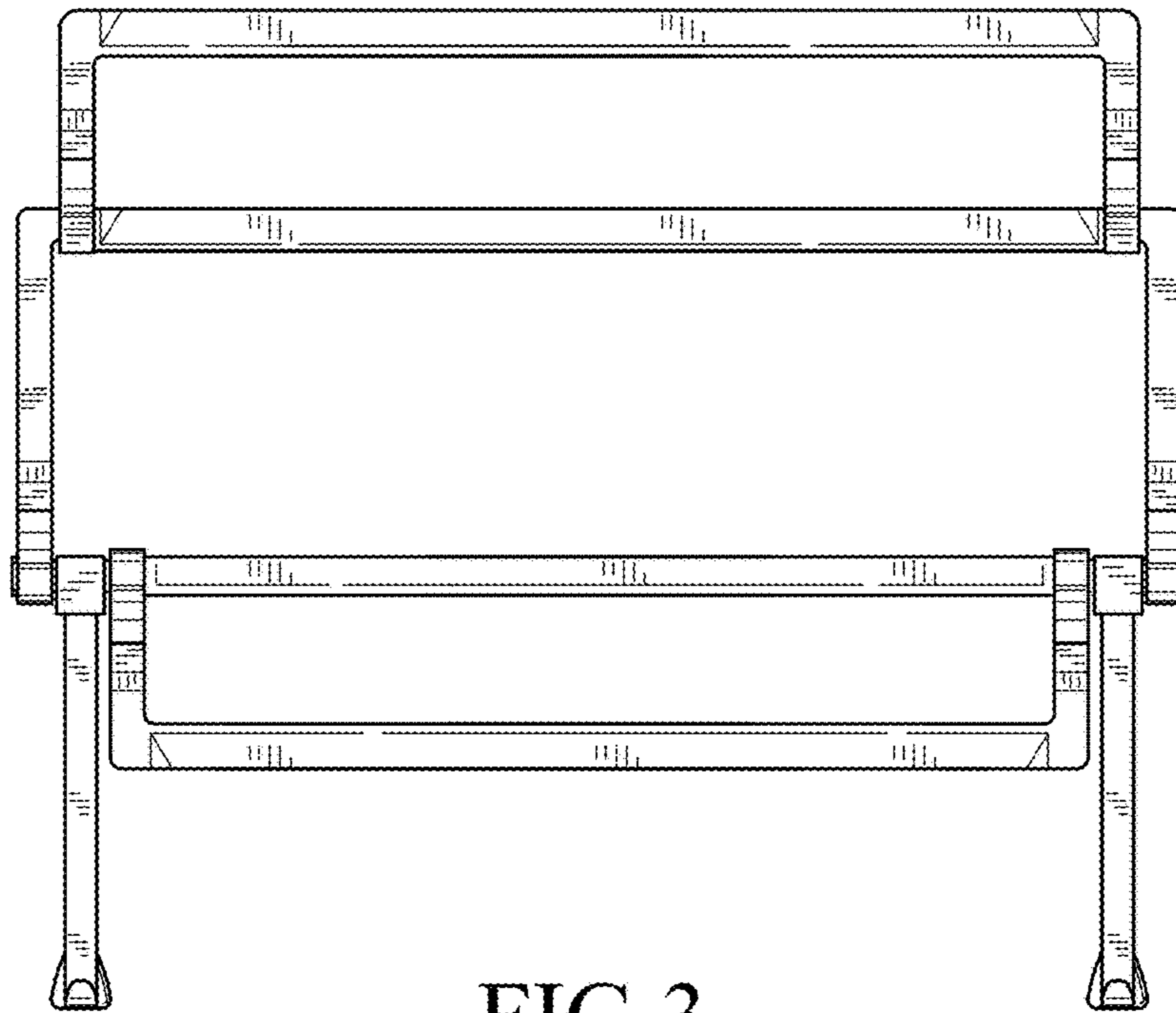


FIG. 3

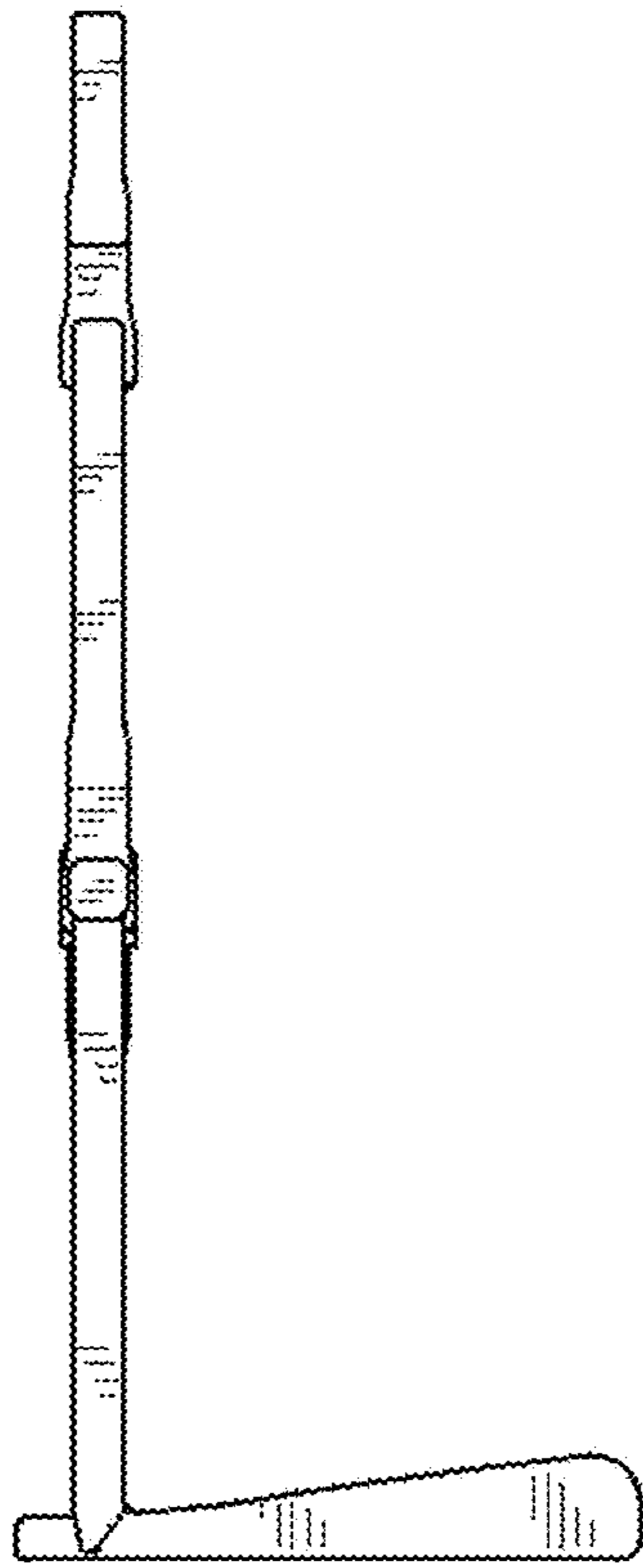


FIG. 4

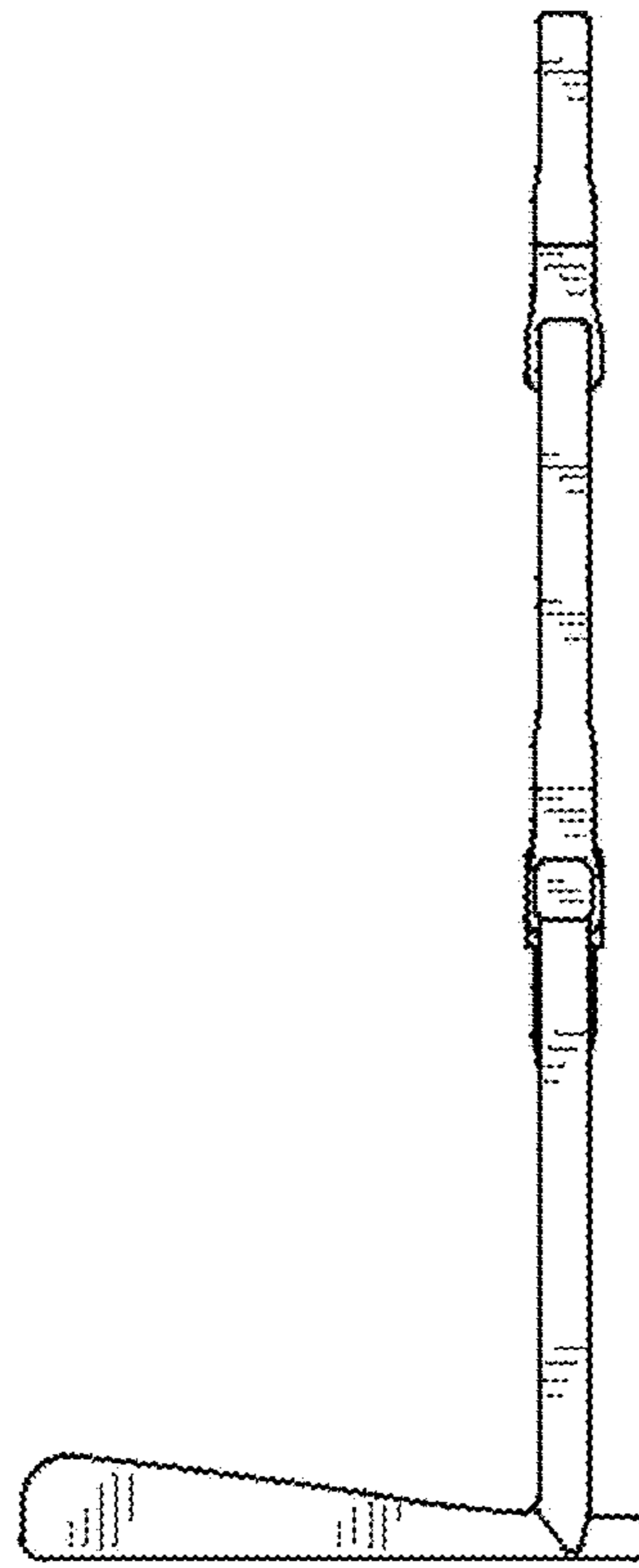


FIG. 5

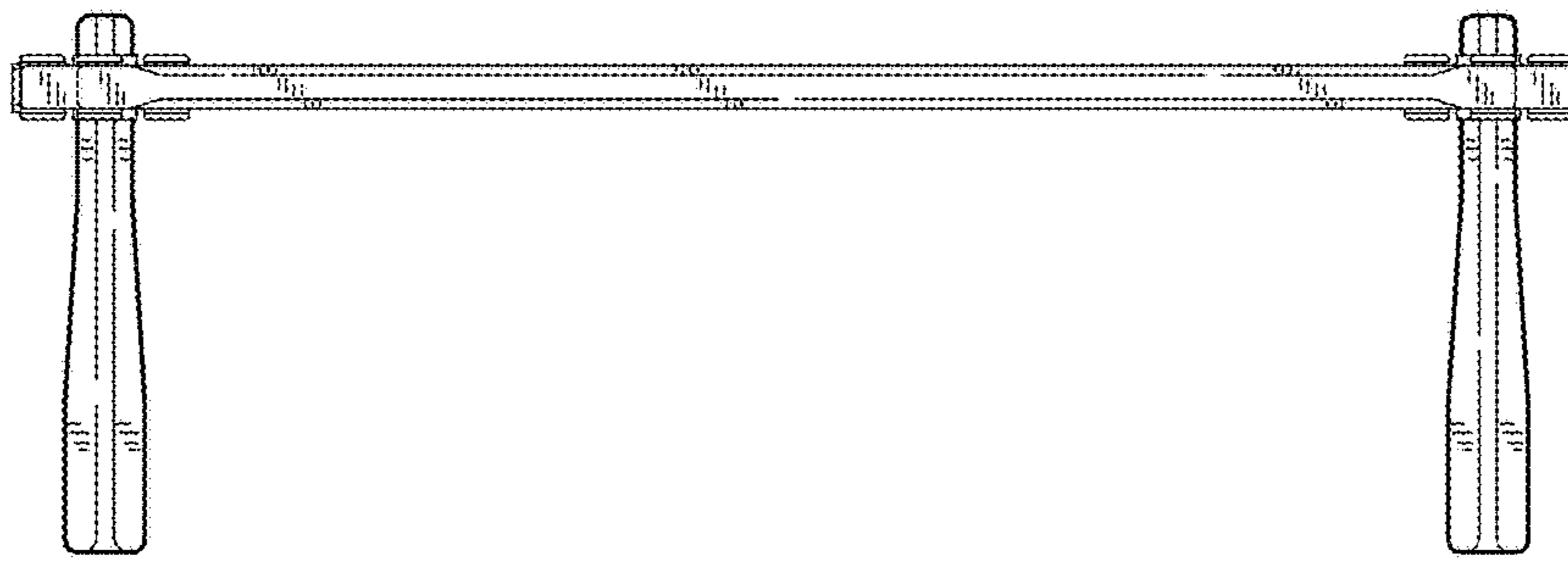


FIG. 6

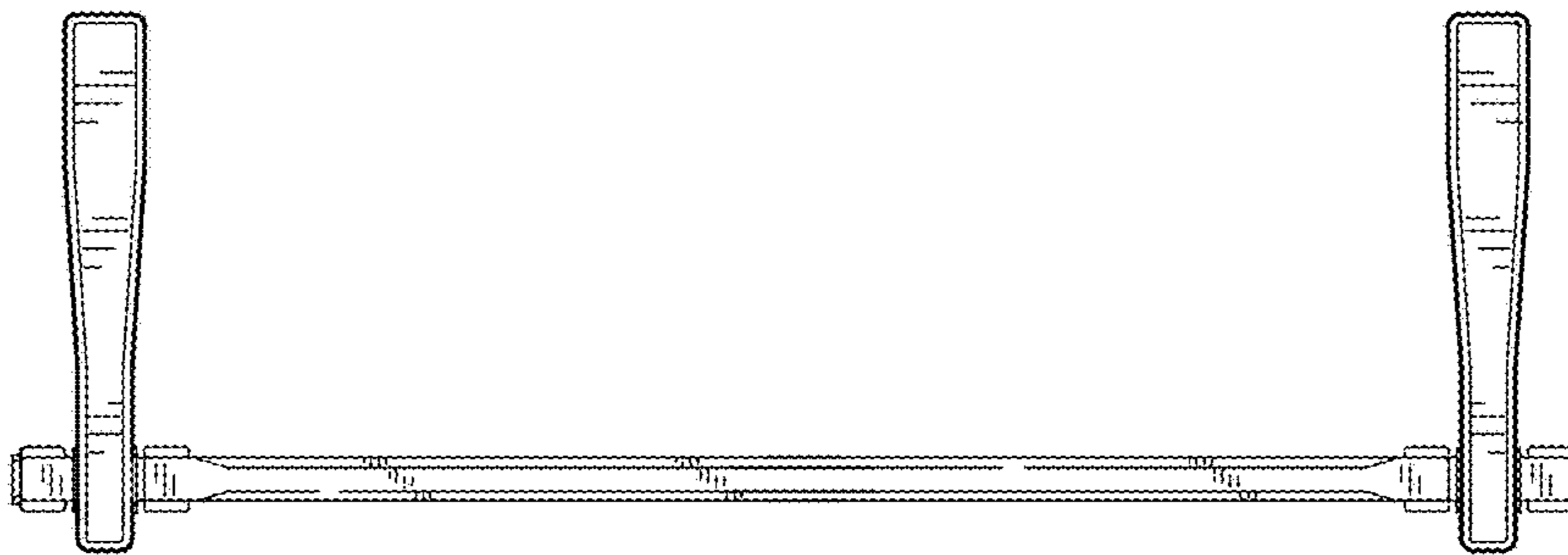


FIG. 7