



US00D786379S

(12) **United States Design Patent** (10) **Patent No.:** **US D786,379 S**  
**Ivanova et al.** (45) **Date of Patent:** **\*\* May 9, 2017**

(54) **GOLF CLUB FACE**  
(71) Applicant: **CALLAWAY GOLF COMPANY**,  
Carlsbad, CA (US)  
(72) Inventors: **Irina Ivanova**, San Marcos, CA (US);  
**Bradley C. Rice**, Carlsbad, CA (US);  
**Esteban Aguilar**, Carlsbad, CA (US)  
(73) Assignee: **Callaway Golf Company**, Carlsbad,  
CA (US)  
(\*\*) Term: **15 Years**  
(21) Appl. No.: **29/543,429**  
(22) Filed: **Oct. 23, 2015**  
(51) **LOC (10) Cl.** ..... **21-02**  
(52) **U.S. Cl.**  
USPC ..... **D21/759**  
(58) **Field of Classification Search**  
USPC ..... D21/747-751, 759  
CPC ..... A63B 53/00; A63B 53/04; A63B 53/047;  
A63B 53/0475; A63B 53/0445; A63B  
2053/0479  
See application file for complete search history.

(56) **References Cited**  
U.S. PATENT DOCUMENTS  
7,473,187 B2 \* 1/2009 Vokey ..... A63B 53/047  
473/330  
D588,221 S \* 3/2009 Takahashi ..... D21/759  
D588,666 S \* 3/2009 Takahashi ..... D21/759  
D596,687 S \* 7/2009 Bezilla ..... D21/759  
D603,009 S \* 10/2009 Bezilla ..... D21/759  
D612,438 S \* 3/2010 Carlyle ..... D21/759  
D612,439 S \* 3/2010 Carlyle ..... D21/759

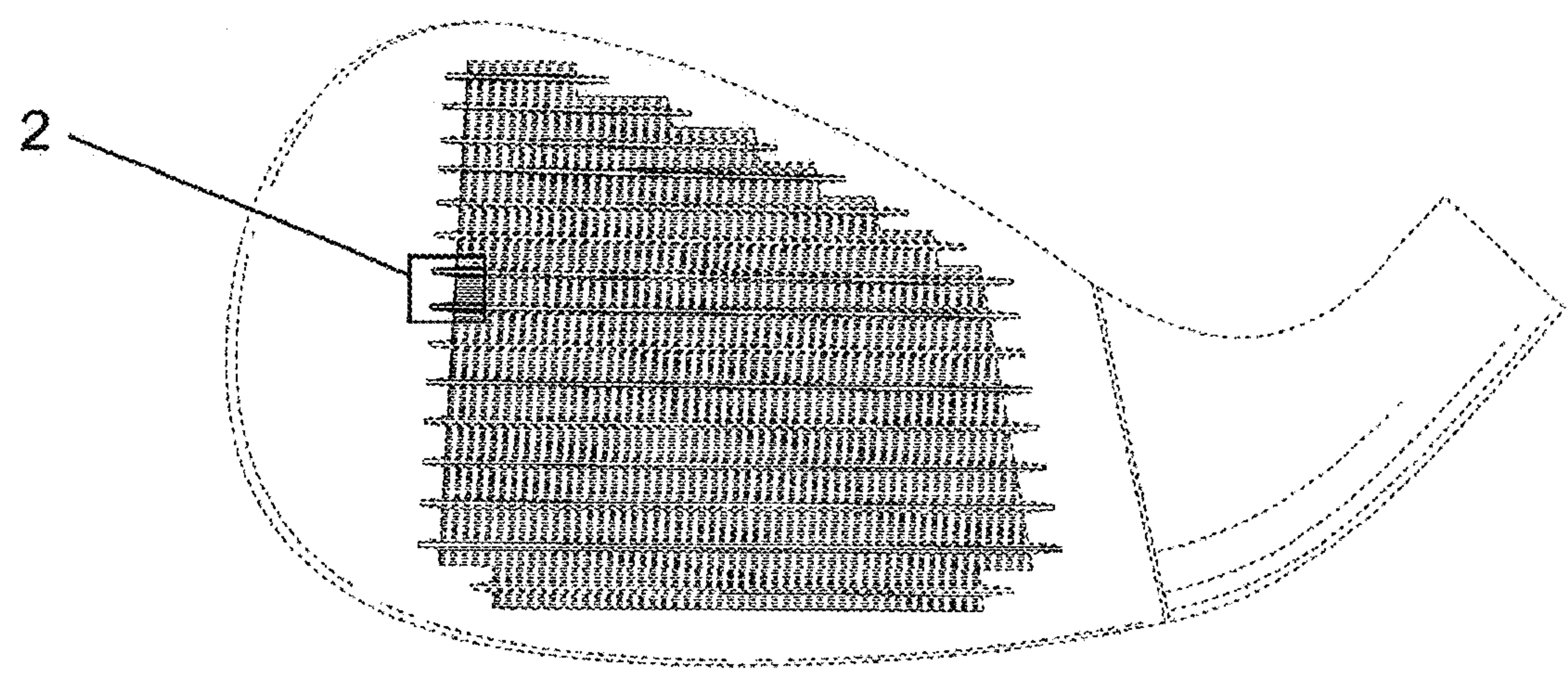
D617,406 S \* 6/2010 Carlyle ..... D21/759  
D633,967 S \* 3/2011 Carlyle ..... D21/759  
D643,490 S \* 8/2011 Wada ..... D21/759  
D707,316 S \* 6/2014 Aguayo ..... D21/759  
D707,317 S \* 6/2014 Aguayo ..... D21/759  
D716,387 S \* 10/2014 Aguayo ..... D21/759  
D716,388 S \* 10/2014 Aguayo ..... D21/759  
D756,475 S \* 5/2016 Ripp ..... D21/759  
D760,854 S \* 7/2016 Ripp ..... D21/759  
D764,000 S \* 8/2016 Gonczi ..... D21/759  
2009/0247318 A1 \* 10/2009 Ban ..... A63B 53/047  
473/331

\* cited by examiner  
*Primary Examiner* — Mitchell Siegel  
(74) *Attorney, Agent, or Firm* — Rebecca Hanovice;  
Michael A. Catania; Sonia Lari

(57) **CLAIM**  
The ornamental design for a golf club face, as shown and  
described.

**DESCRIPTION**  
FIG. 1 is a front view of the golf club face;  
FIG. 2 is an enlarged view taken on box 2 of FIG. 1;  
FIG. 3 is a cross sectional view taken on line 3-3 of FIG. 2;  
FIG. 4 is a second embodiment of the golf club face;  
FIG. 5 is a cross sectional view taken on line 5-5 of FIG. 4;  
FIG. 6 is a third embodiment of the golf club face;  
FIG. 7 is a cross sectional view taken on line 7-7 of FIG. 6;  
FIG. 8 is a fourth embodiment of the golf club face; and,  
FIG. 9 is a cross sectional view taken on line 9-9 of FIG. 8.  
The broken lines showing other golf club features are  
included for the purpose of illustration only and form no part  
of the claimed design.

**1 Claim, 4 Drawing Sheets**



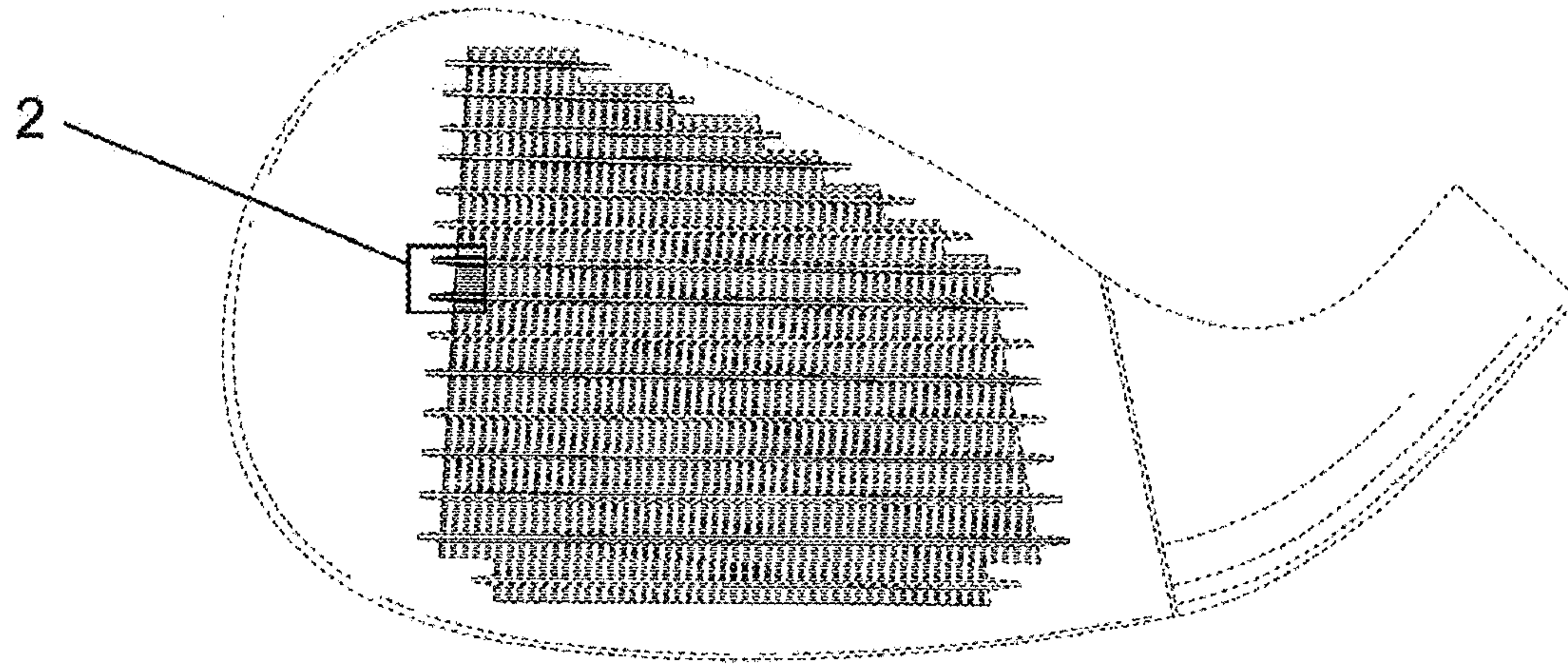


FIG. 1

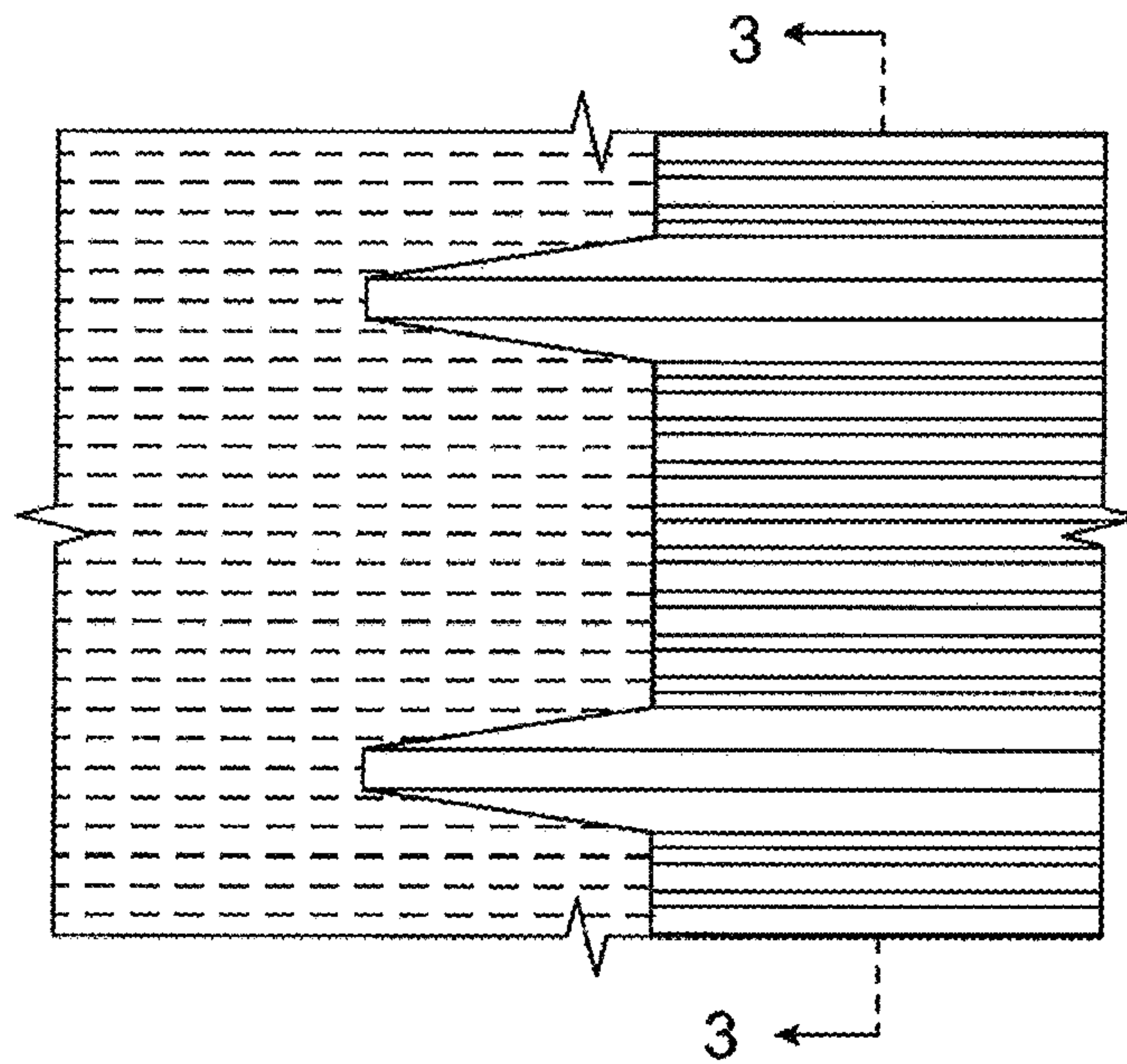


FIG. 2



FIG. 3



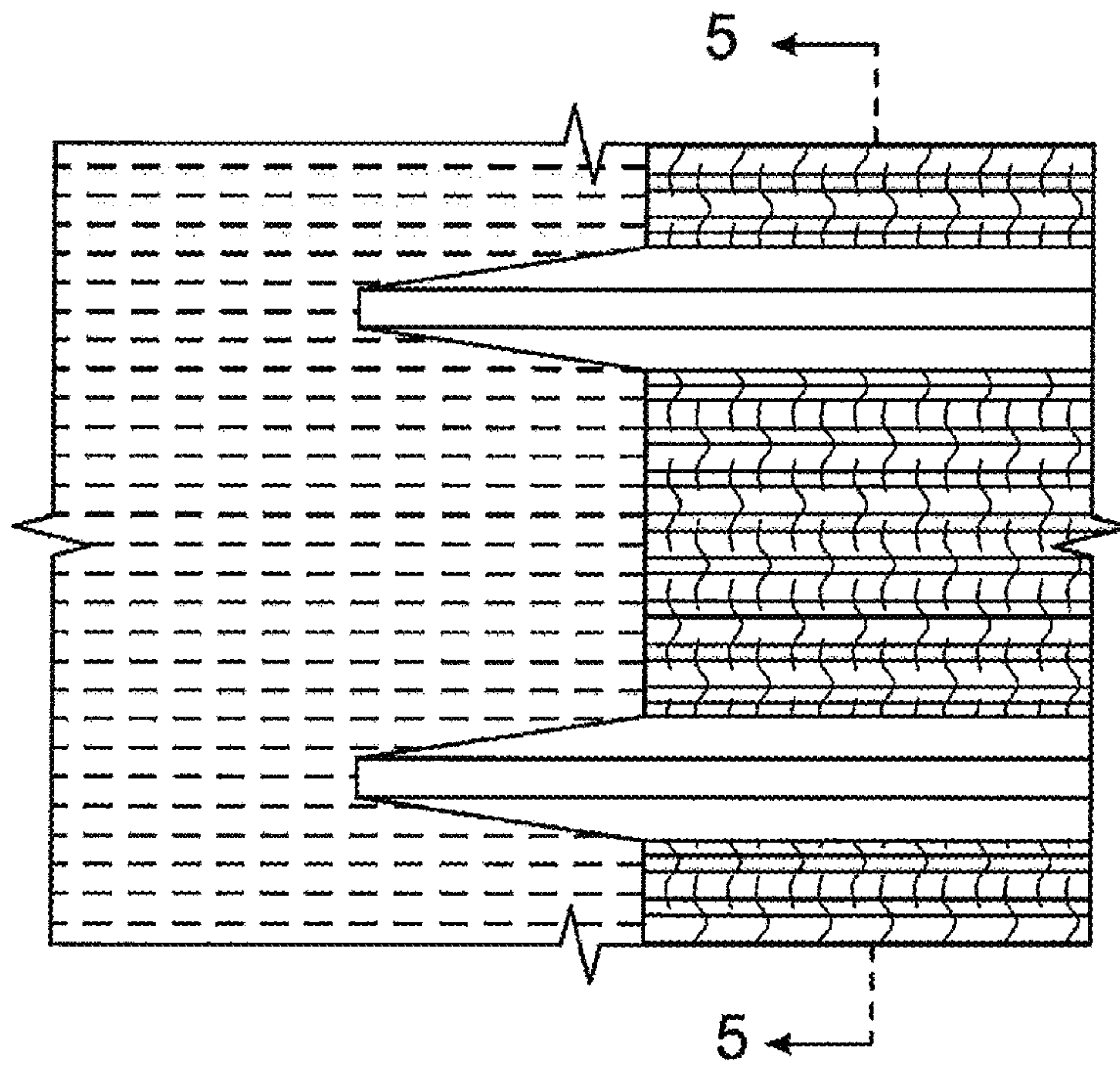


FIG. 4

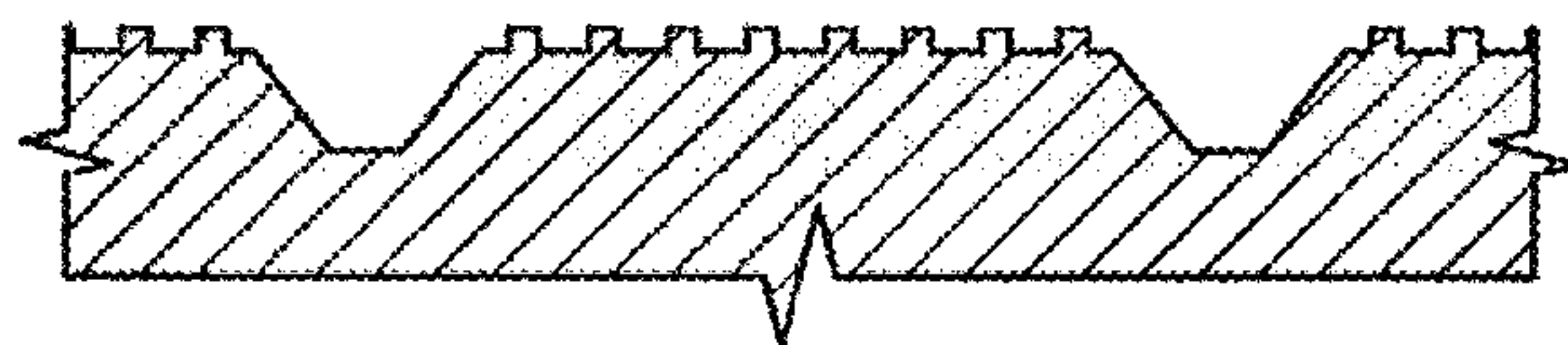


FIG. 5

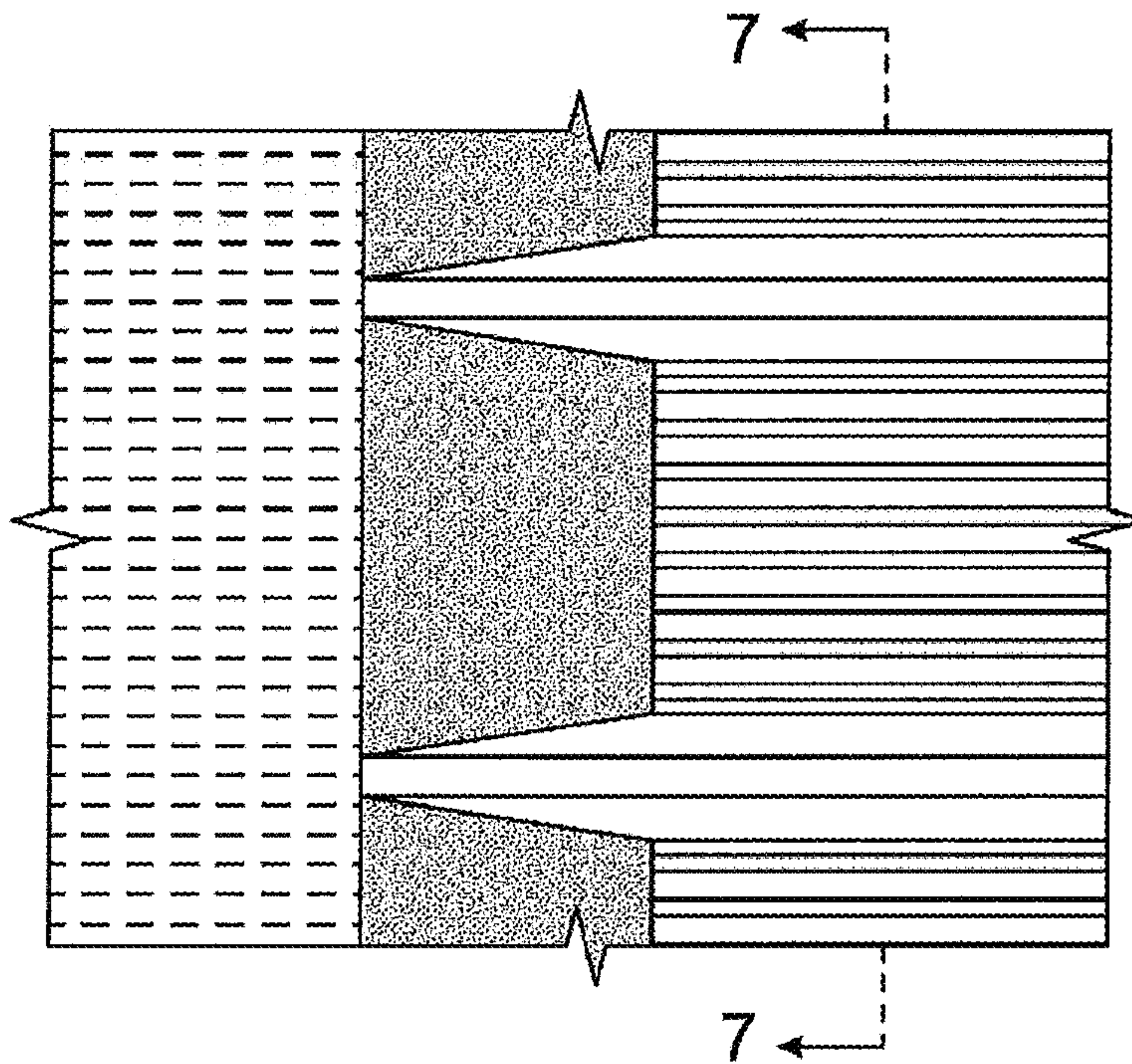


FIG. 6

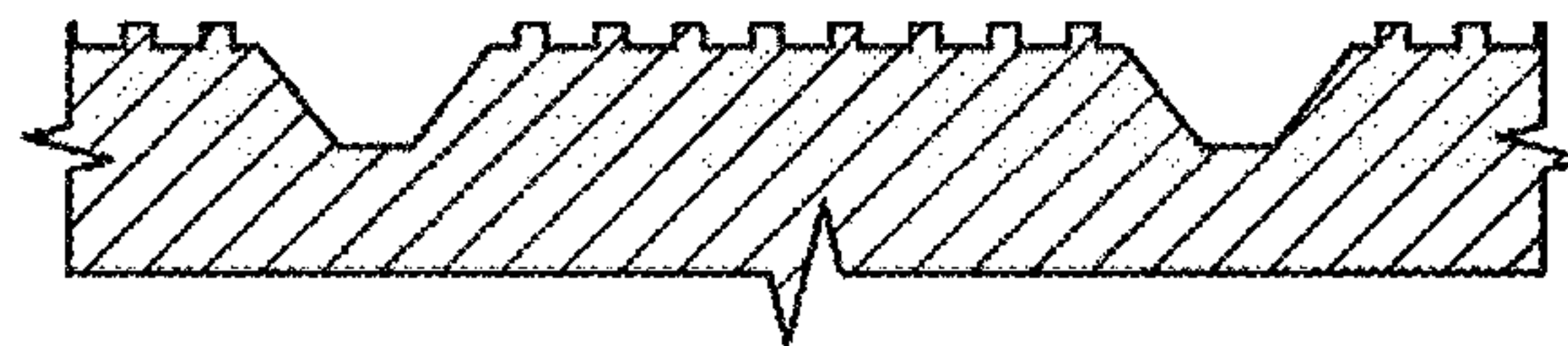


FIG. 7

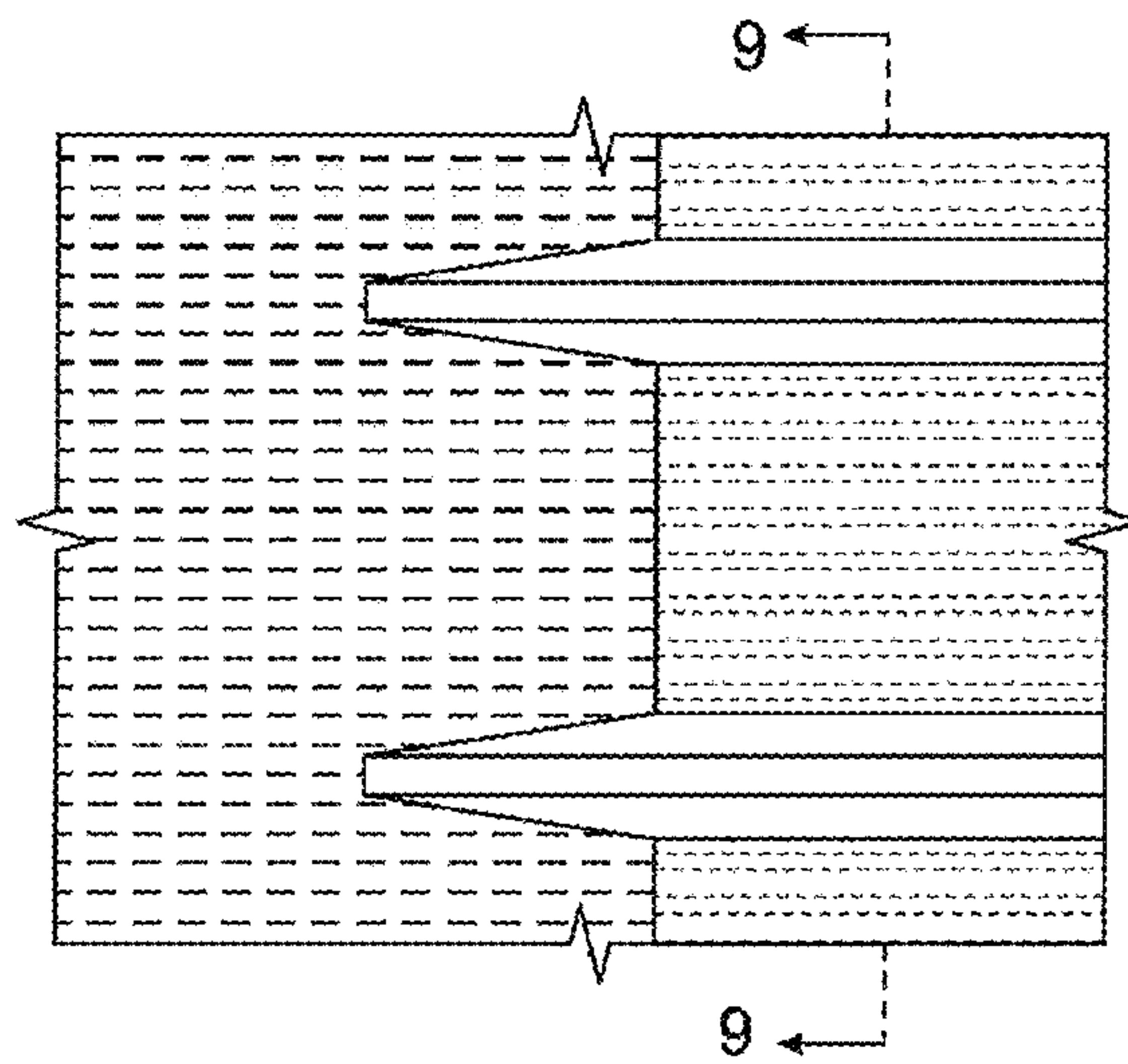


FIG. 8



FIG. 9