



US00D786367S

(12) **United States Design Patent** (10) **Patent No.:** **US D786,367 S**
Eder (45) **Date of Patent:** **** May 9, 2017**

(54) **BALANCE COORDINATION DEVICE**
(71) Applicant: **IncludeFitness, Inc.**, Columbus, OH (US)
(72) Inventor: **J. Ryan Eder**, Columbus, OH (US)
(73) Assignee: **IncludeFitness, Inc.**, Columbus, OH (US)
(**) Term: **15 Years**
(21) Appl. No.: **29/548,062**
(22) Filed: **Dec. 10, 2015**
(51) **LOC (10) Cl.** **21-02**
(52) **U.S. Cl.**
USPC **D21/662**
(58) **Field of Classification Search**
USPC D21/662, 668-671, 685, 691, 696
CPC A63B 21/00; A63B 22/00; A63B 22/03;
A63B 21/0004; A63B 23/00; A63B 24/00
See application file for complete search history.

D635,202 S * 3/2011 Chang D21/662
D640,335 S * 6/2011 Aboody D21/662
D640,336 S * 6/2011 Aboody D21/662
D695,368 S * 12/2013 Blattmann D21/662
D695,856 S * 12/2013 Jacobs D21/668
D751,156 S * 3/2016 Tasca D21/669
D753,245 S * 4/2016 Oblamski A63B 21/0053
D21/669
2007/0032353 A1* 2/2007 Wilkins A63B 5/00
482/54
2015/0335945 A1* 11/2015 Brontman A63B 22/0023
482/6

* cited by examiner

Primary Examiner — Caron D Veynar
Assistant Examiner — Mehri Bajoul
(74) *Attorney, Agent, or Firm* — Jason H. Foster;
Kremblas & Foster

(57) **CLAIM**

The ornamental design for a balance coordination device, substantially as shown.

DESCRIPTION

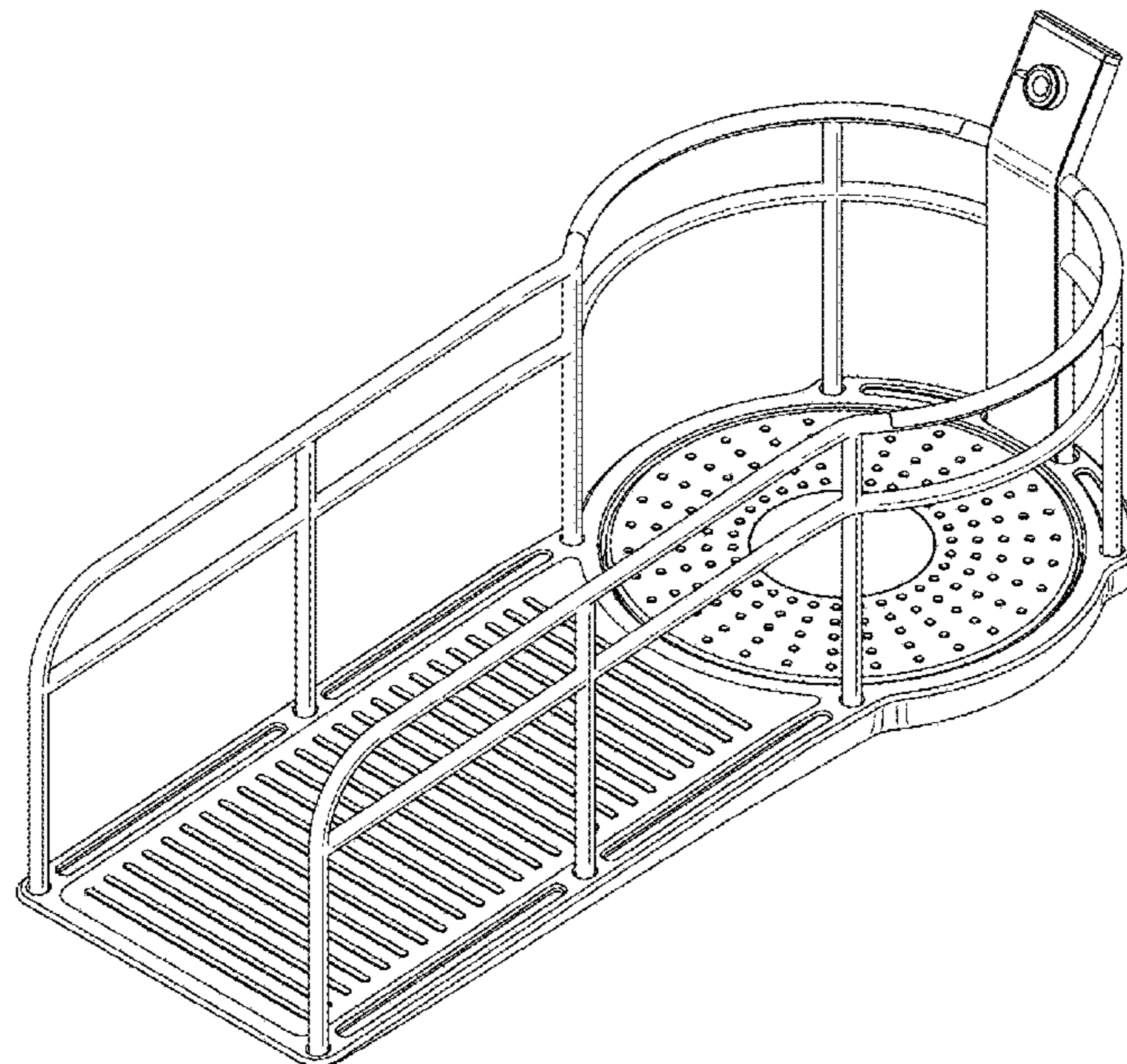
FIG. 1 is a front perspective view of a balance coordination device showing my new design;
FIG. 2 is a front view thereof;
FIG. 3 is a rear view thereof;
FIG. 4 is a right side view thereof;
FIG. 5 is a left side view thereof;
FIG. 6 is a top view thereof; and,
FIG. 7 is a bottom view thereof.

1 Claim, 6 Drawing Sheets

(56) **References Cited**

U.S. PATENT DOCUMENTS

D303,414 S * 9/1989 Armstrong D21/669
D333,330 S * 2/1993 Clem D21/669
D413,366 S * 8/1999 Husted D21/668
D495,015 S * 8/2004 Tudico D21/662
D496,699 S * 9/2004 Dobson D21/669
D538,358 S * 3/2007 Glier D21/662
D570,930 S * 6/2008 VanElverdinghe D21/671
D624,611 S * 9/2010 Torres Martin D21/662
D634,375 S * 3/2011 Usrey D21/662



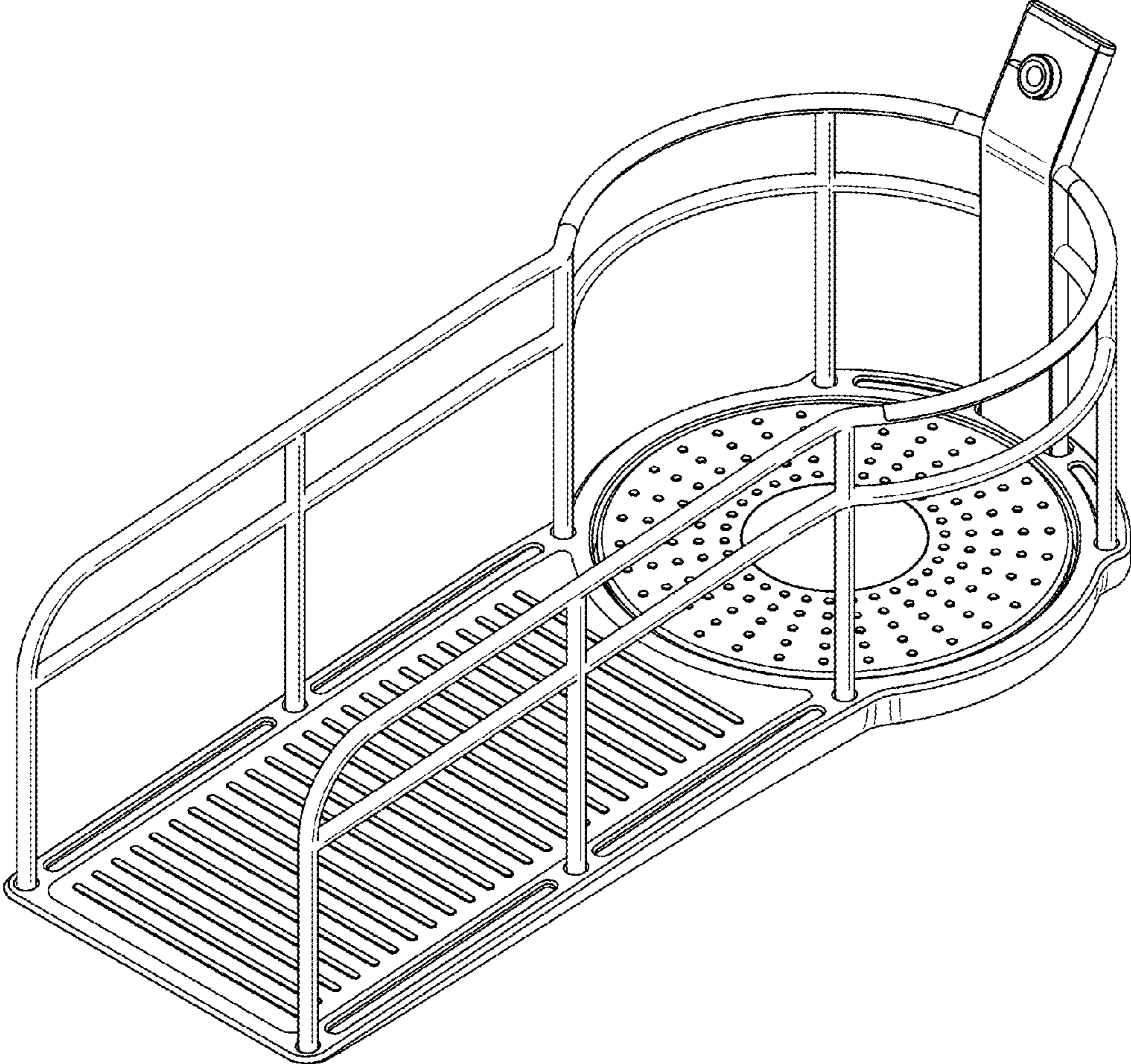


Fig. 1

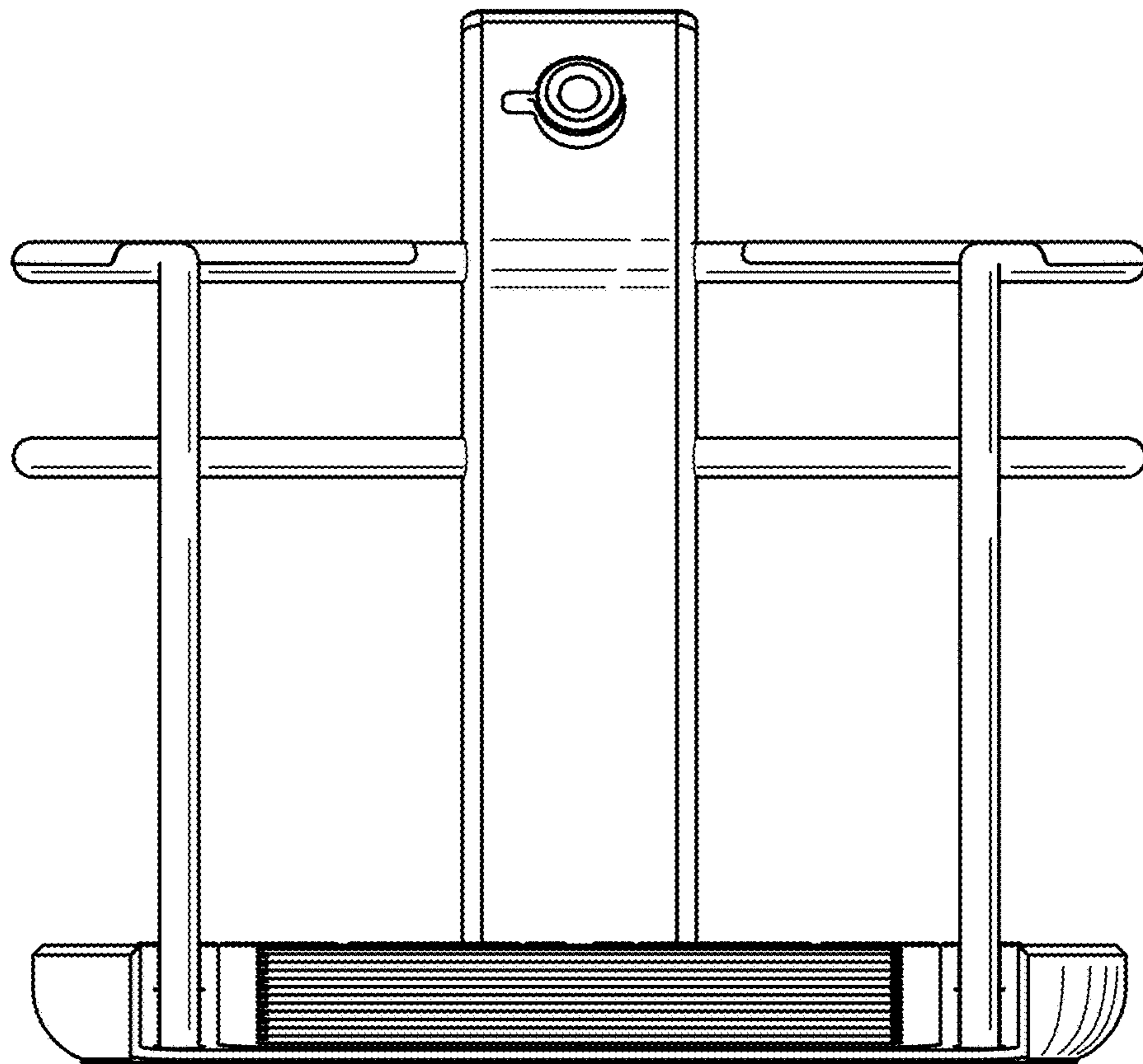


Fig. 2

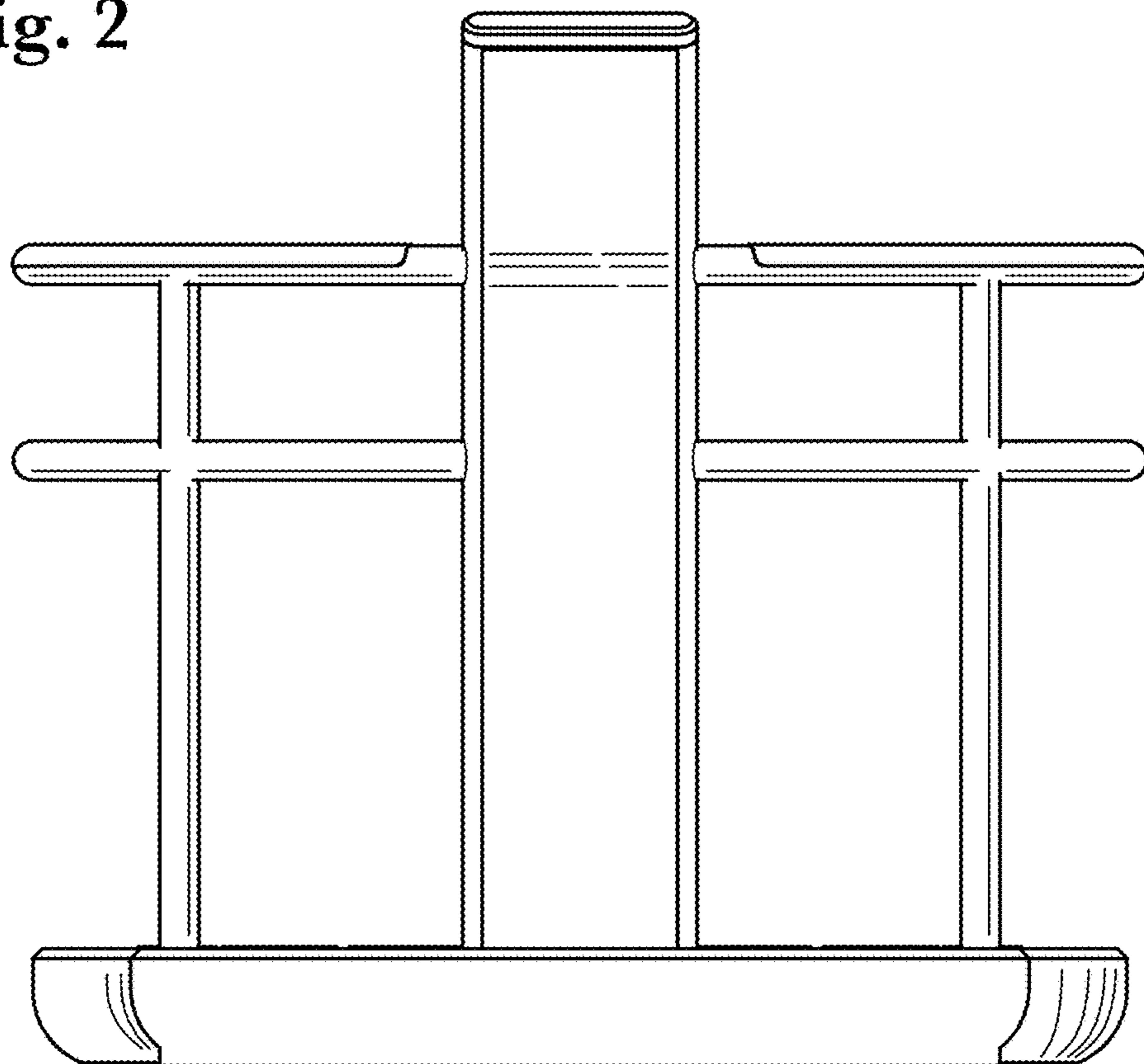


Fig. 3

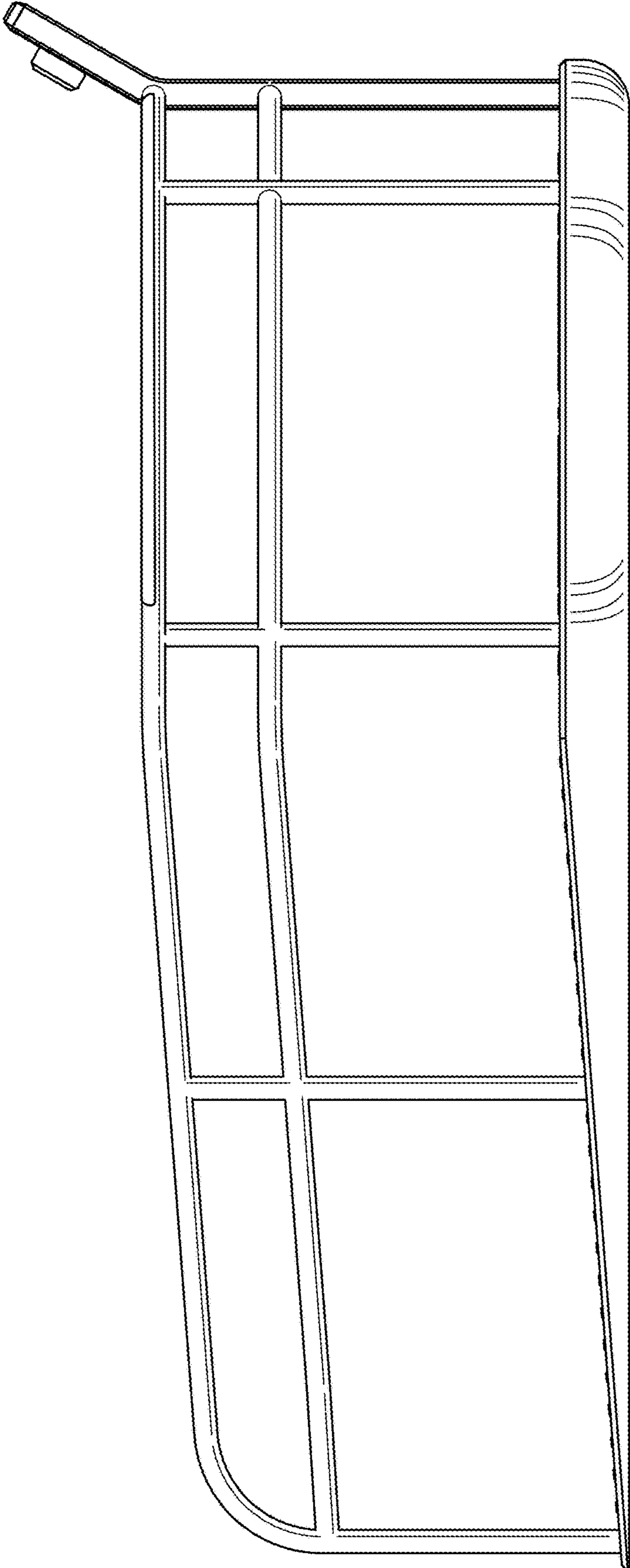


Fig. 4

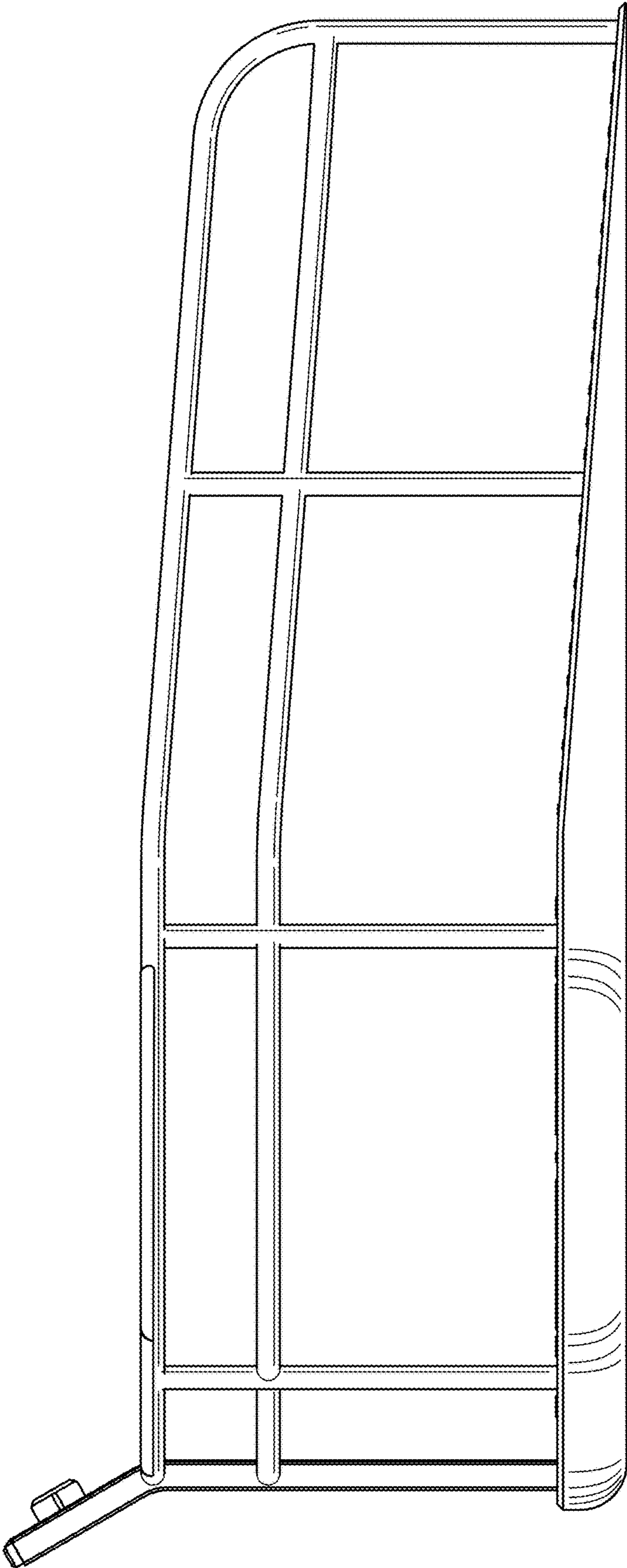


Fig. 5

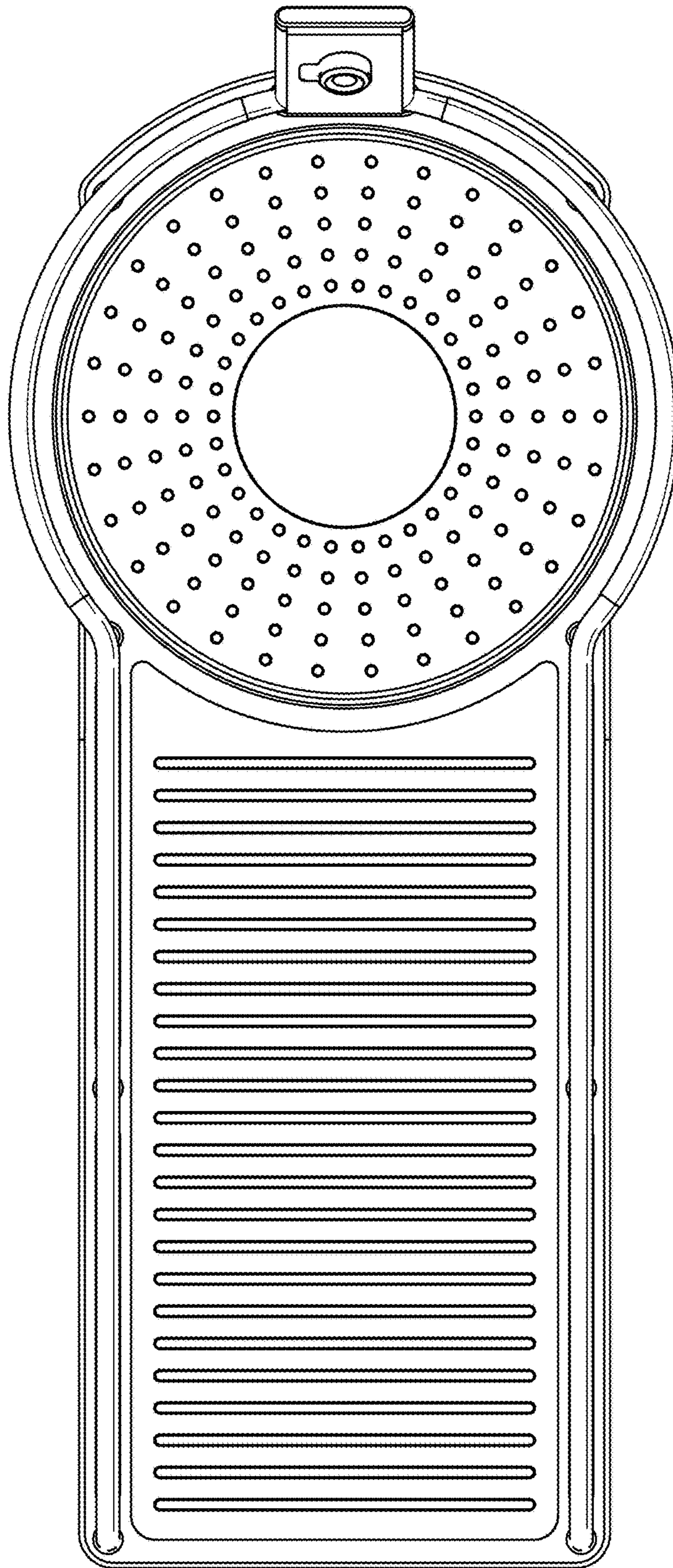


Fig. 6

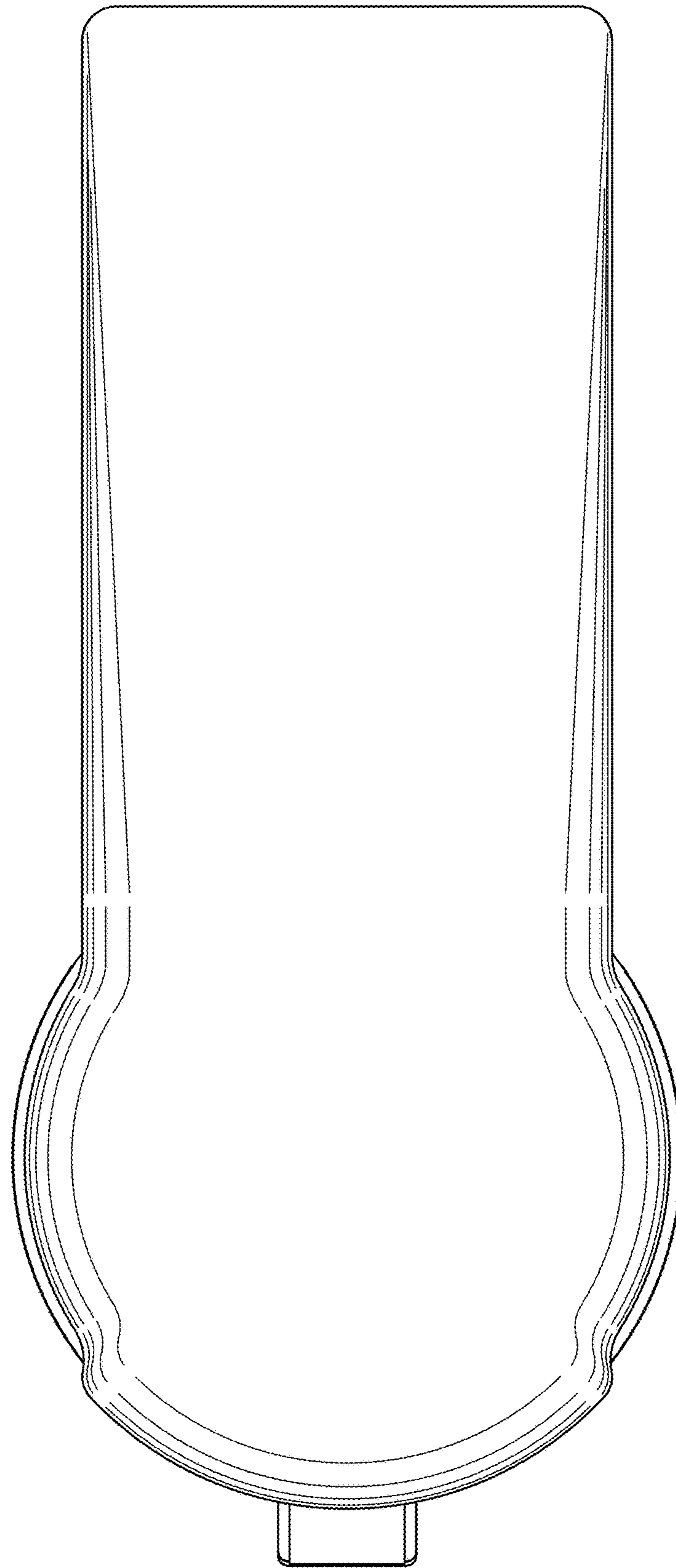


Fig. 7