



US00D786365S

(12) **United States Design Patent** (10) **Patent No.:** **US D786,365 S**
Bailey, Sr. (45) **Date of Patent:** **** May 9, 2017**

(54) **CRAFT KIT**
(71) Applicant: **Ronald Edward Bailey, Sr.**, Key West, FL (US)
(72) Inventor: **Ronald Edward Bailey, Sr.**, Key West, FL (US)
(**) Term: **15 Years**
(21) Appl. No.: **29/534,035**
(22) Filed: **Jul. 24, 2015**
(51) **LOC (10) Cl.** **21-01**
(52) **U.S. Cl.**
USPC **D21/494**
(58) **Field of Classification Search**
USPC D21/506, 507, 511; D25/1, 32; D9/636, D9/637, 640, 433; 446/69, 75, 110, 446/476-478, 479; D30/108, 112, 161
CPC A01K 31/00; A01K 31/14; A63H 33/04; A63H 33/044
See application file for complete search history.

5,330,379 A * 7/1994 Roh A47D 1/006 446/478
5,498,188 A * 3/1996 Deahr A63H 33/00 446/123
D391,615 S * 3/1998 Wilgus D21/494
5,890,338 A * 4/1999 Rodriguez-Ferre .. A63H 33/008 446/476
6,065,253 A * 5/2000 Ojeda A63H 3/52 446/131
D426,589 S * 6/2000 Law D21/511
D427,648 S * 7/2000 Law D21/511
D594,070 S * 6/2009 Ridens D21/511
D710,952 S * 8/2014 Guglielmo D21/511
D714,400 S * 9/2014 Jensen D21/484
D763,971 S * 8/2016 Bailey, Sr. D21/494

* cited by examiner

Primary Examiner — Cynthia M Chin
(74) *Attorney, Agent, or Firm* — Dunlap Bennett & Ludwig PLLC

(57) **CLAIM**

The ornamental design for a craft kit, as shown and described.

(56) **References Cited**

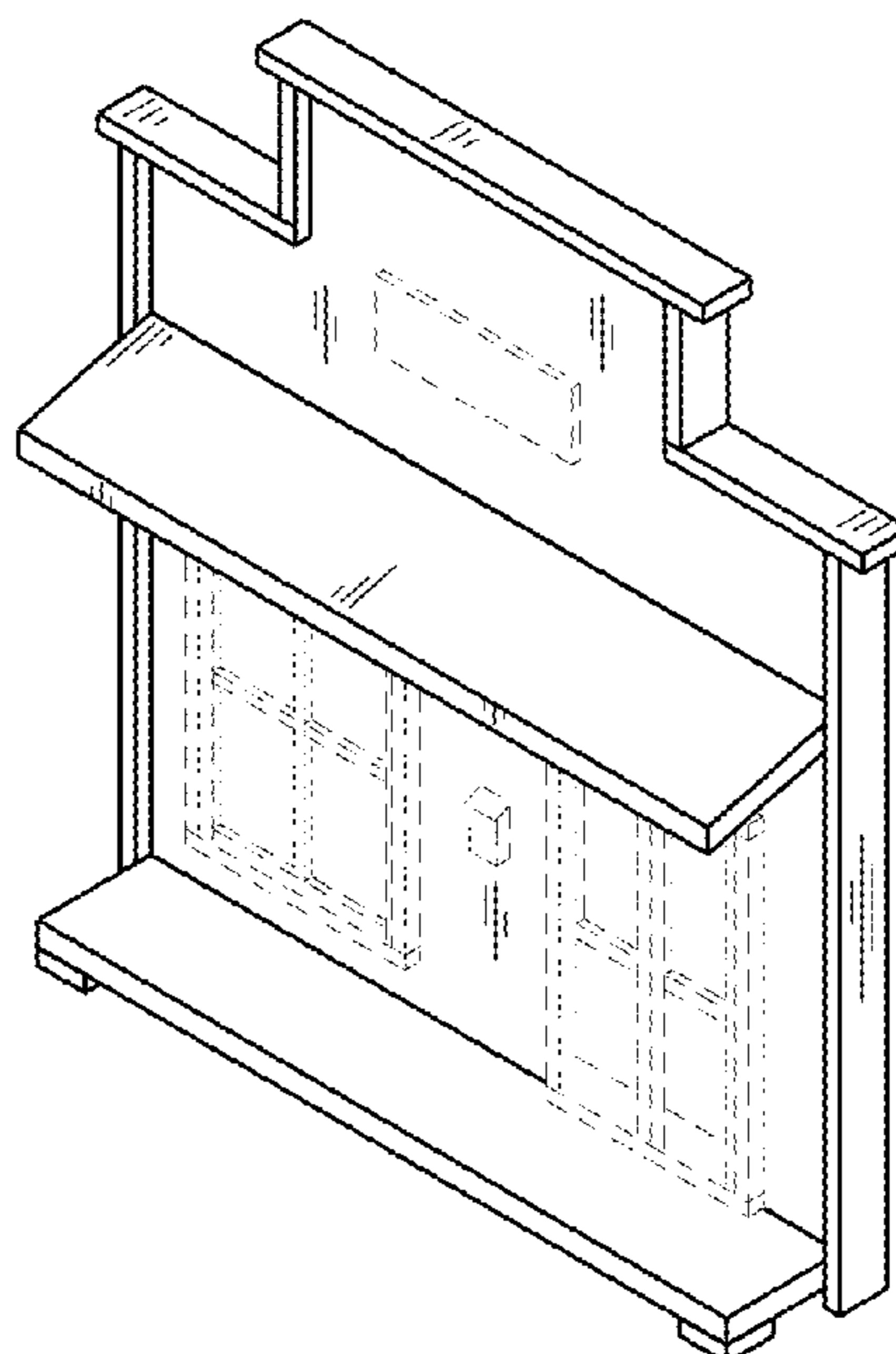
U.S. PATENT DOCUMENTS

2,020,196 A * 11/1935 Mallgraf A63H 3/52 446/478
D181,448 S * 11/1957 Wallace et al. D21/511
D250,057 S * 10/1978 Morrison D21/511
4,467,572 A * 8/1984 Somers A63H 33/008 D25/24
4,978,301 A * 12/1990 Dodge A63H 33/042 434/96
5,055,083 A * 10/1991 Walker A63H 33/044 446/476
5,313,747 A * 5/1994 Sakihara A63H 33/008 446/112

DESCRIPTION

FIG. 1 is a front perspective view of a craft kit; FIG. 2 is a front elevation view thereof; FIG. 3 is a rear elevation view thereof; FIG. 4 is a left side elevation view thereof, the right side elevation view being a mirror image thereof; FIG. 5 is a top plan view thereof; and, FIG. 6 is a bottom plan view thereof. The broken lines shown in the drawings illustrate portions of the craft kit that form no part of the claimed design.

1 Claim, 3 Drawing Sheets



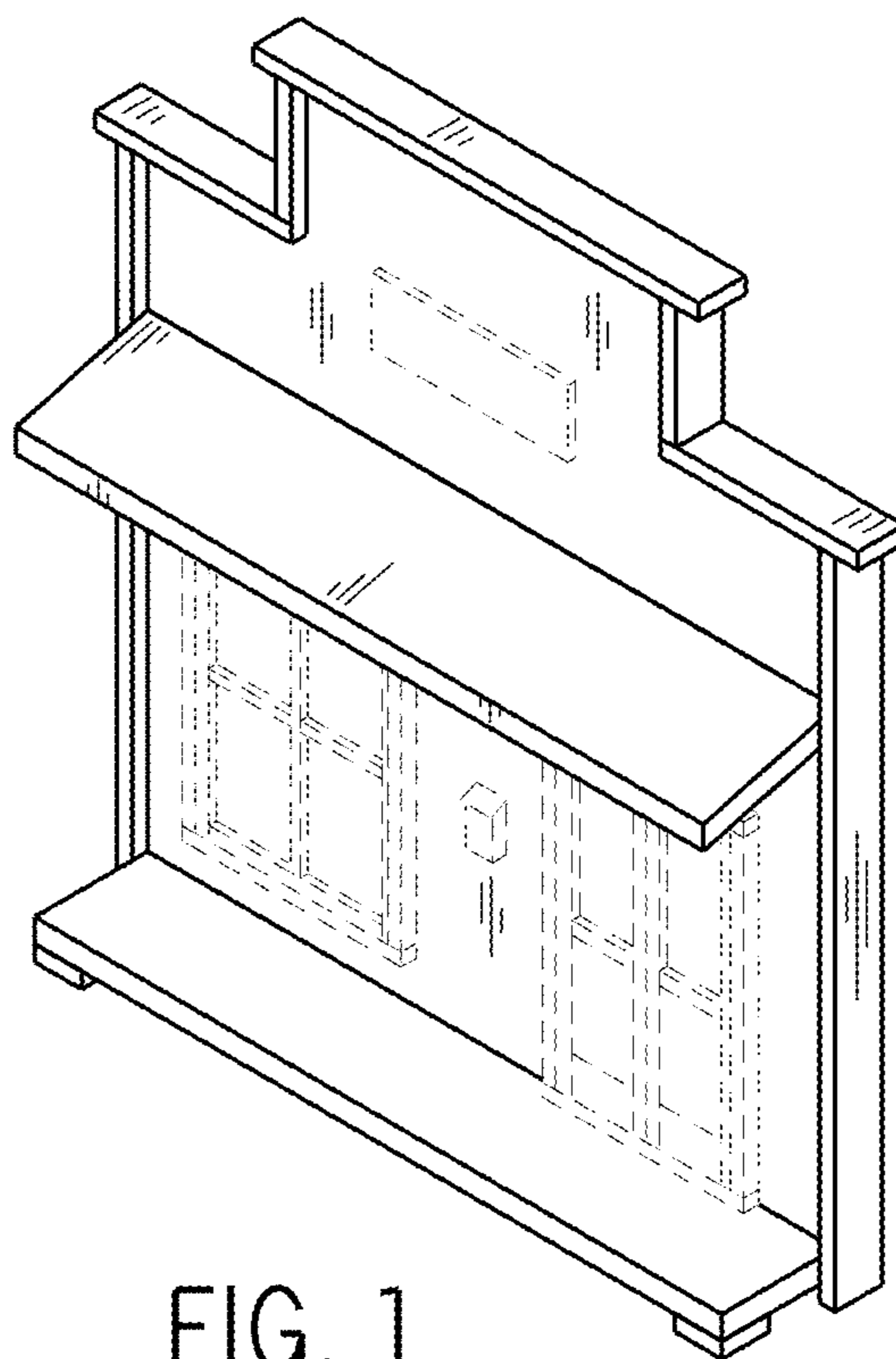


FIG. 1

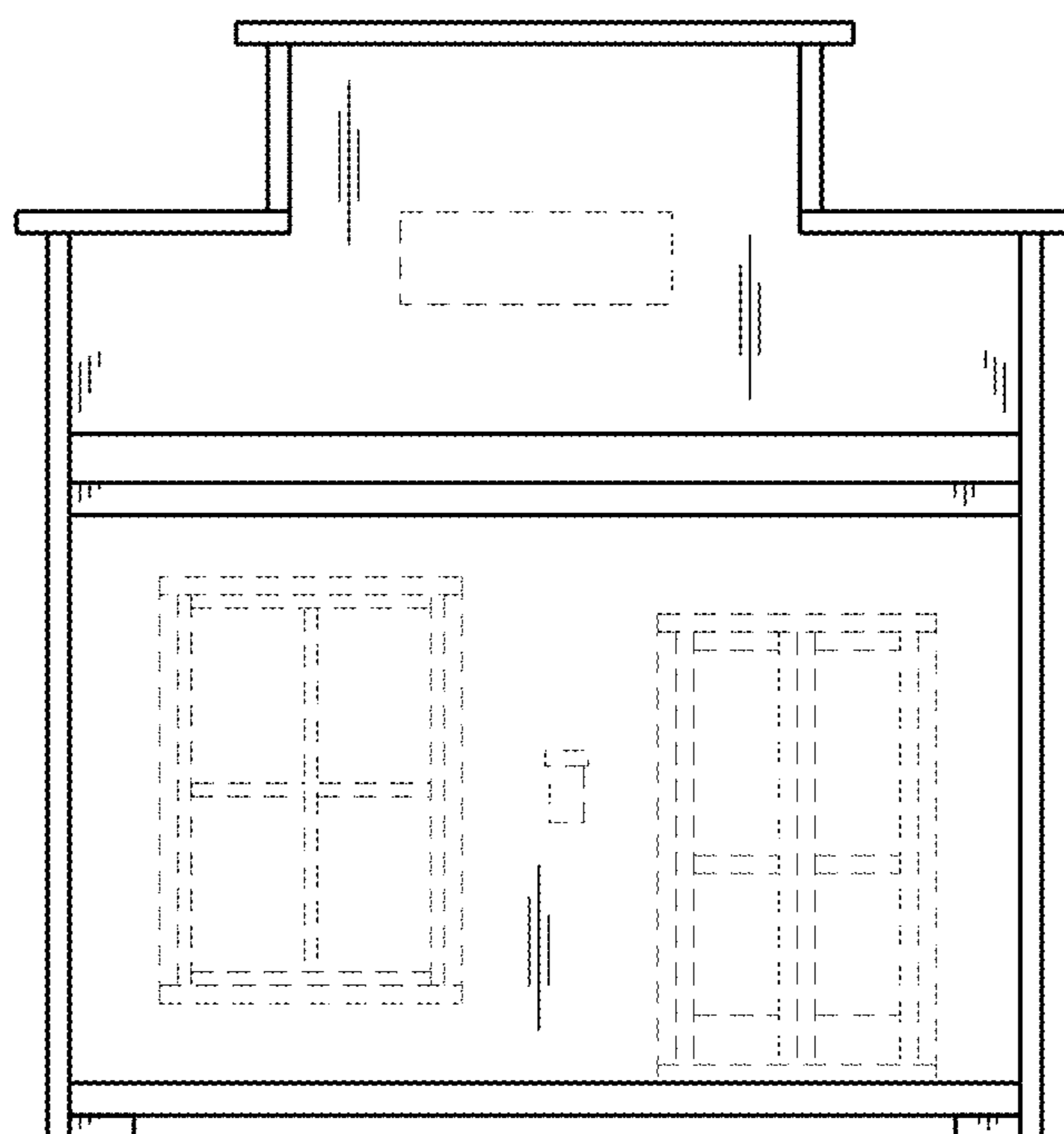


FIG. 2

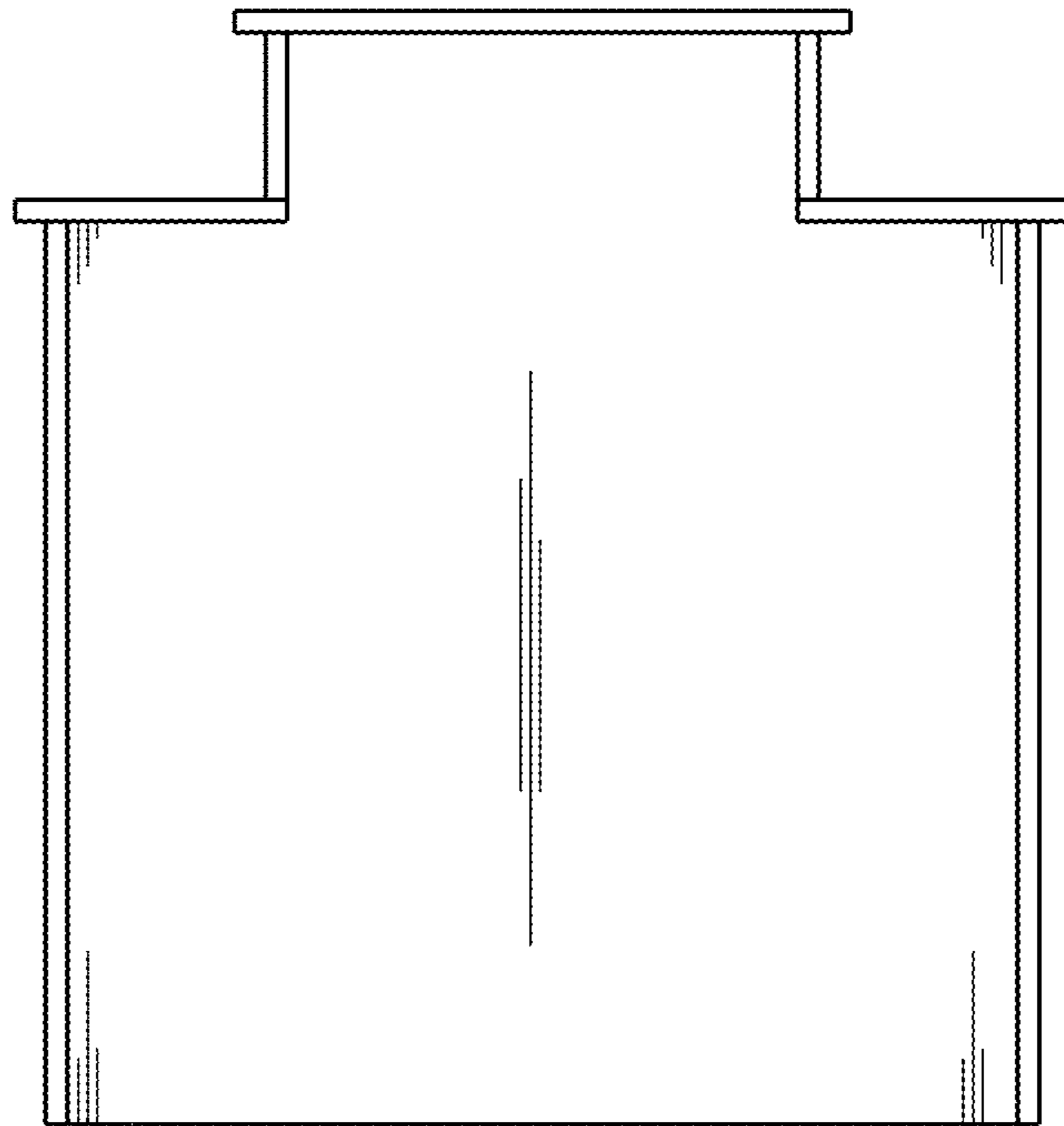


FIG. 3

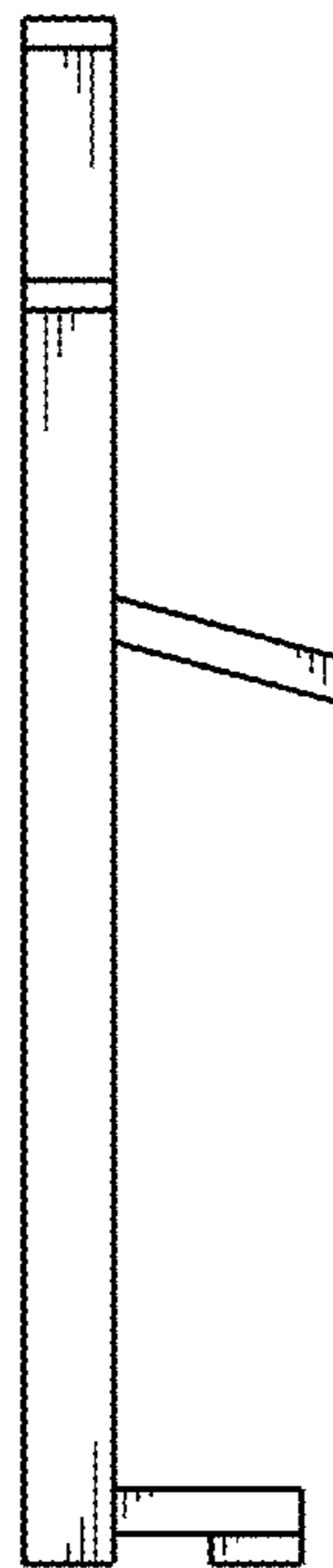


FIG. 4

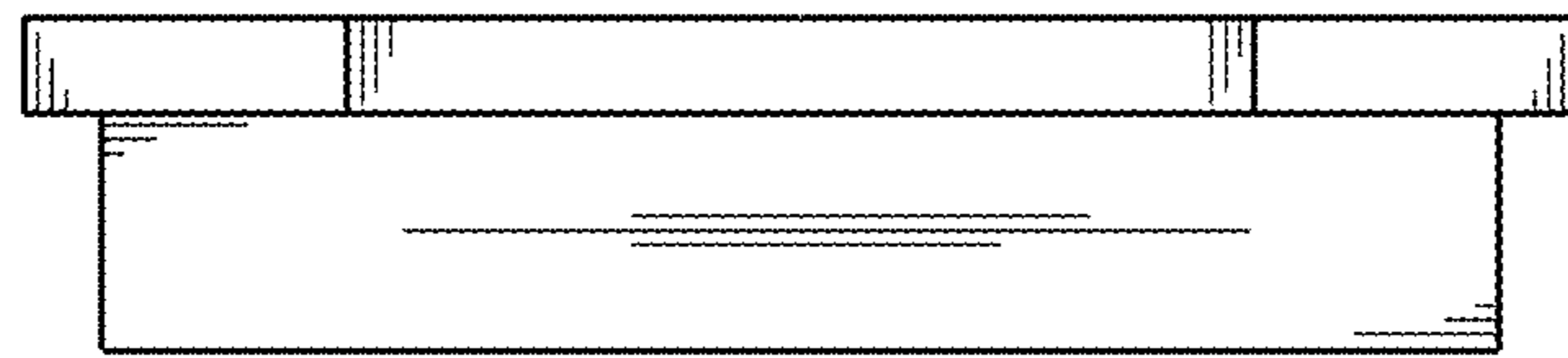


FIG. 5

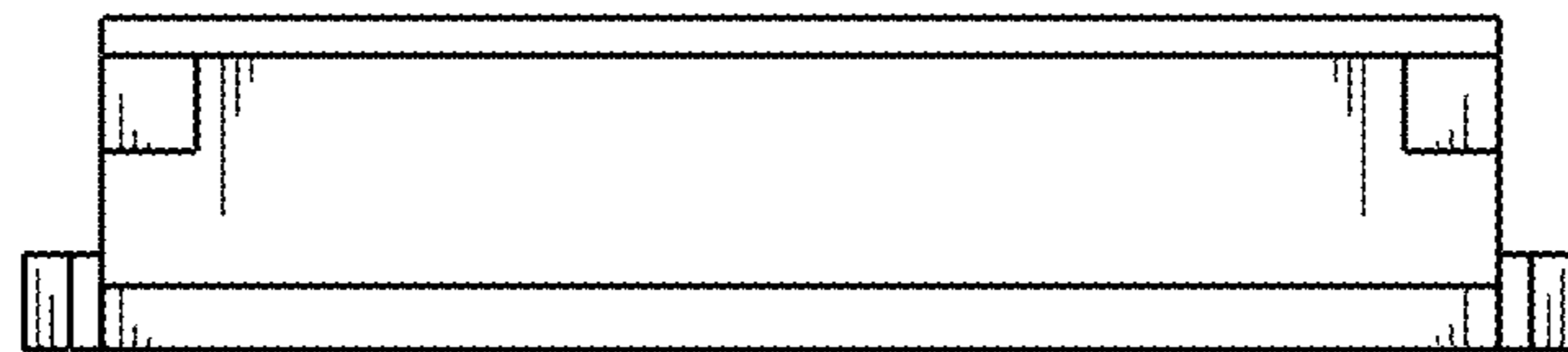


FIG. 6