



US00D786362S

(12) **United States Design Patent** (10) **Patent No.:** **US D786,362 S**  
**Pickavance** (45) **Date of Patent:** **\*\* May 9, 2017**

- (54) **CASE SCOOTER**
- (71) Applicant: **Hy-Pro International Limited**,  
Bedfordshire (GB)
- (72) Inventor: **Simon Pickavance**, Bedfordshire (GB)
- (73) Assignee: **Hy-Pro International Limited**,  
Dunstable, Bedfordshire (GB)
- (\*\*) Term: **15 Years**
- (21) Appl. No.: **29/555,894**
- (22) Filed: **Feb. 25, 2016**

D264,105 S *	4/1982	Dinnocente	.....	D21/423
D295,990 S *	5/1988	Hanna	.....	D21/423
D301,594 S *	6/1989	Simpson	.....	D21/423
4,842,091 A *	6/1989	Badsey	.....	B62K 3/002
				180/181
D339,388 S *	9/1993	Oswald	.....	D21/423
D417,472 S *	12/1999	Caban	.....	D21/423
D450,354 S *	11/2001	Tsai	.....	D21/423
D459,763 S *	7/2002	Lanchais	.....	D21/423
D564,037 S *	3/2008	Cramer	.....	D21/423
D654,965 S *	2/2012	Herlitz	.....	D21/423
8,162,090 B2 *	4/2012	Atherton	.....	B62K 3/002
				180/181
D672,400 S *	12/2012	Pizzi	.....	D21/423
D705,873 S *	5/2014	Grout	.....	D21/423
D728,033 S *	4/2015	O'connell	.....	D21/423
D738,435 S *	9/2015	O'Connell	.....	D21/423
2007/0205570 A1 *	9/2007	Nichols	.....	B62K 13/00
				280/30

**Related U.S. Application Data**

- (63) Continuation-in-part of application No. 29/485,849,  
filed on Mar. 24, 2014, now abandoned.
- (51) **LOC (10) Cl.** ..... **21-01**
- (52) **U.S. Cl.**  
USPC ..... **D21/423; D3/279**
- (58) **Field of Classification Search**  
USPC ..... D21/419, 421, 423, 426-428, 435;  
D3/272, 273, 274, 276, 278, 279, 281,  
D3/289, 321; 180/208, 219  
CPC ..... B62K 3/002; B62K 5/025; B62K 15/00;  
B62K 2204/00  
See application file for complete search history.

**References Cited**

**U.S. PATENT DOCUMENTS**

- (56) 3,249,170 A \* 5/1966 Quayle ..... B62B 3/0612  
180/13
- 3,309,104 A \* 3/1967 Gold ..... B62K 3/002  
280/87.041
- 3,316,993 A \* 5/1967 Weitzner ..... A45C 5/14  
180/208
- 3,413,011 A \* 11/1968 Weitzner ..... A45C 5/146  
280/37

(Continued)

*Primary Examiner* — Darlington Ly  
(74) *Attorney, Agent, or Firm* — Berliner & Associates

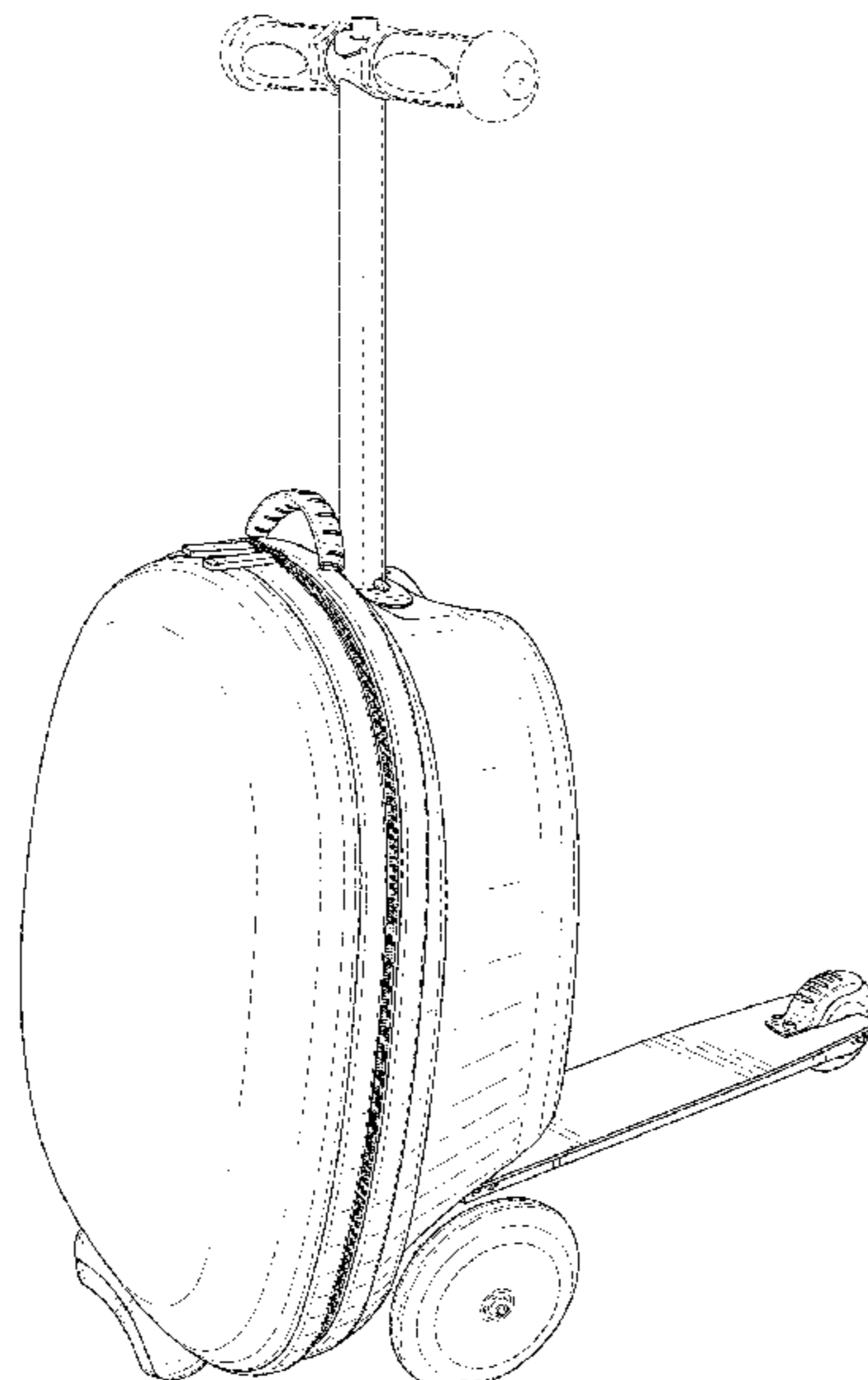
(57) **CLAIM**

The ornamental design for a case scooter, as shown and described.

**DESCRIPTION**

FIG. 1 is a front perspective view of a case scooter showing my new design;  
FIG. 2 is a rear perspective view thereof;  
FIG. 3 is a front elevation view thereof;  
FIG. 4 is a rear elevation view thereof;  
FIG. 5 is a left-side elevation view thereof;  
FIG. 6 is a right-side elevation view thereof;  
FIG. 7 is a top plan view thereof; and,  
FIG. 8 is a bottom plan view thereof.  
The broken lines illustrate portions of the case scooter that forms no part of the claimed design.

**1 Claim, 8 Drawing Sheets**



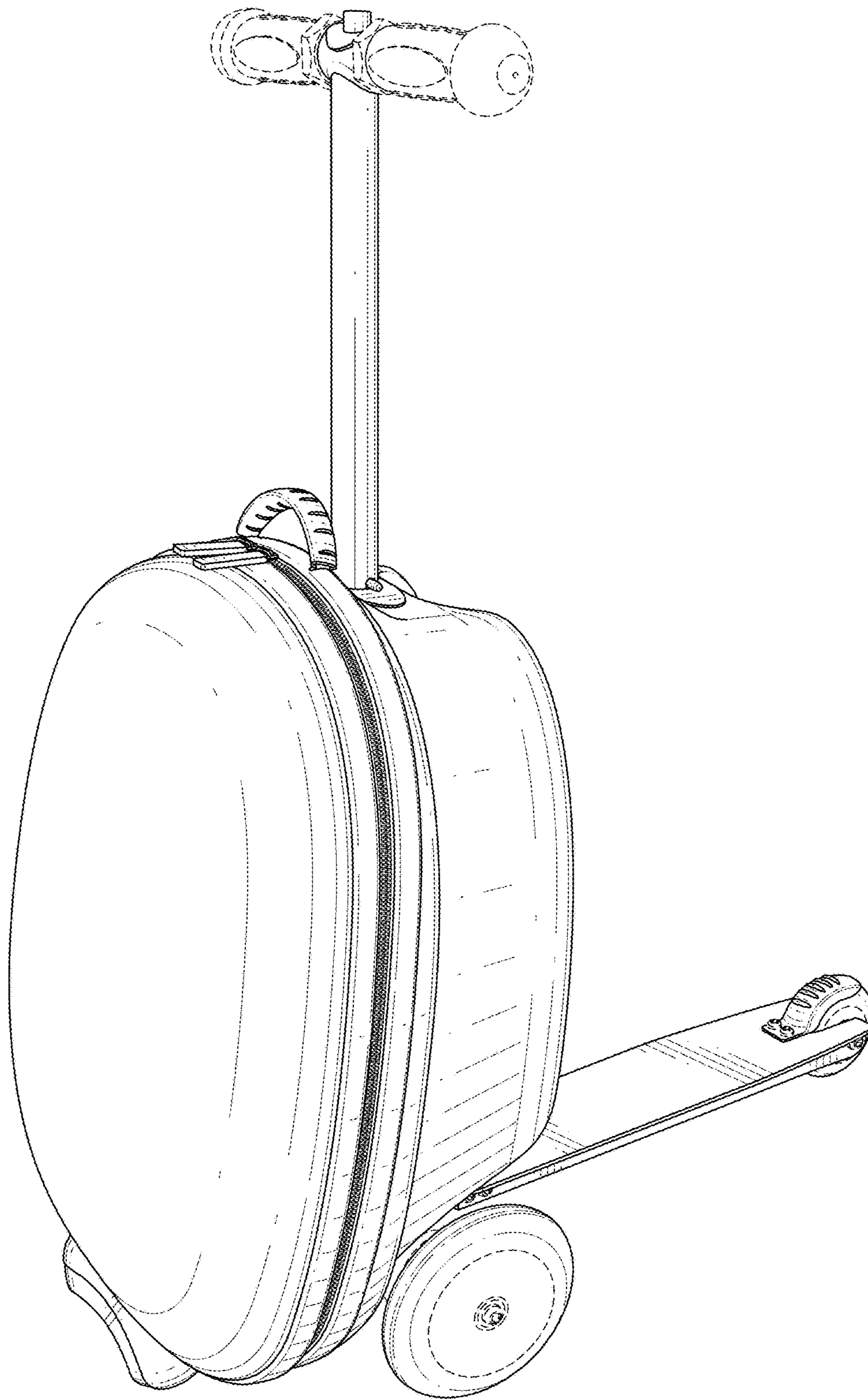
(56)

**References Cited**

U.S. PATENT DOCUMENTS

2010/0164193 A1\* 7/2010 Abel ..... B62K 3/002  
280/87.041

\* cited by examiner



**FIG. 1**

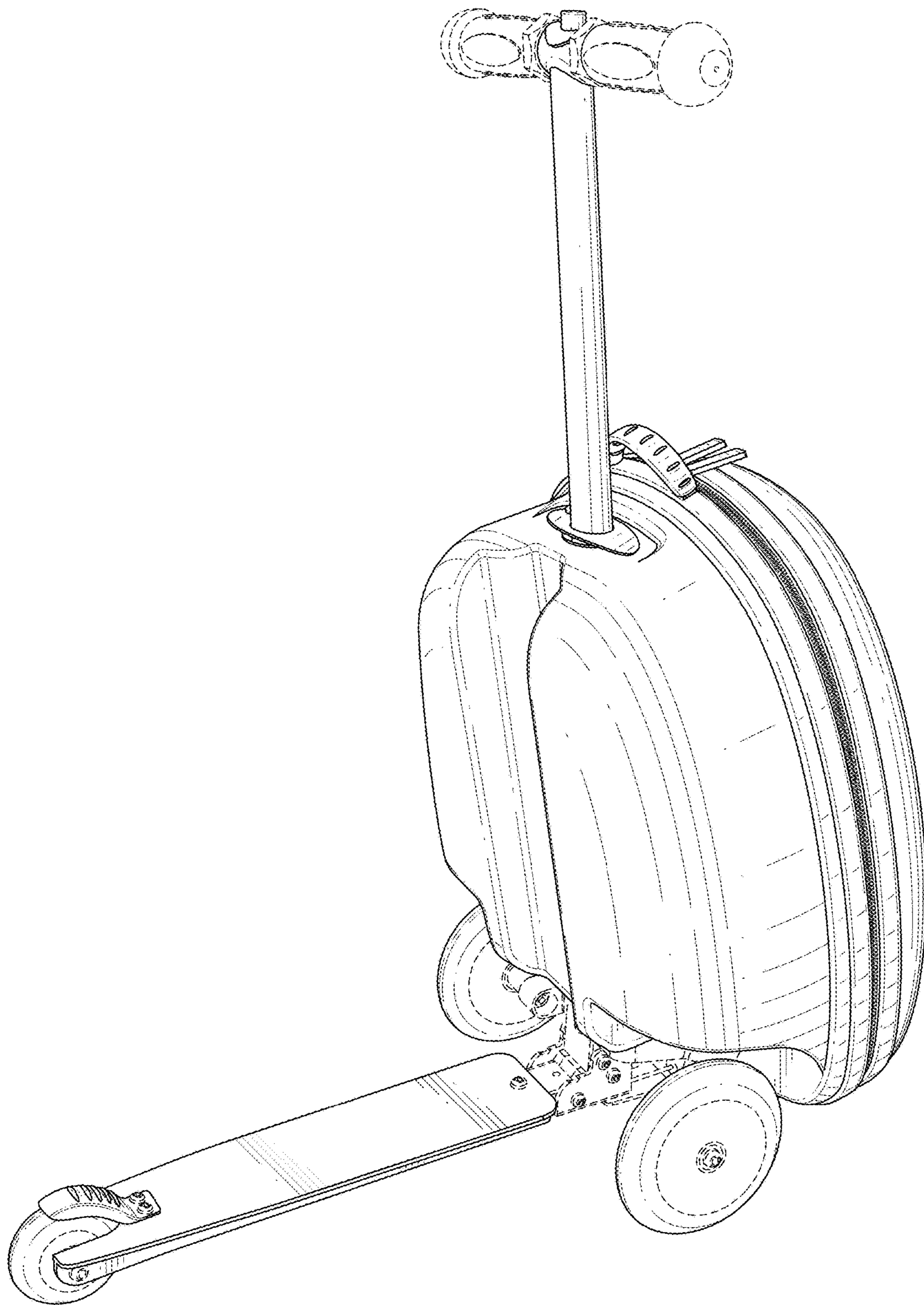


FIG. 2



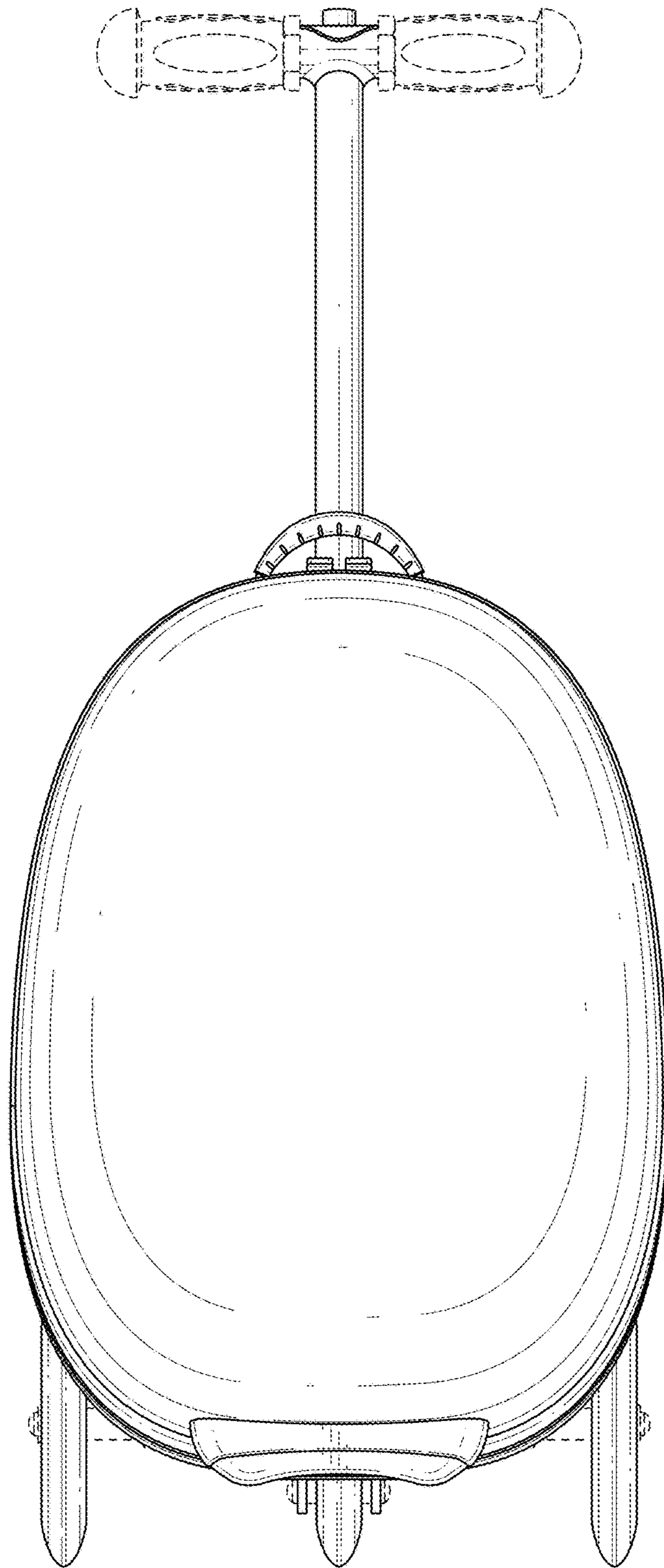


FIG. 3

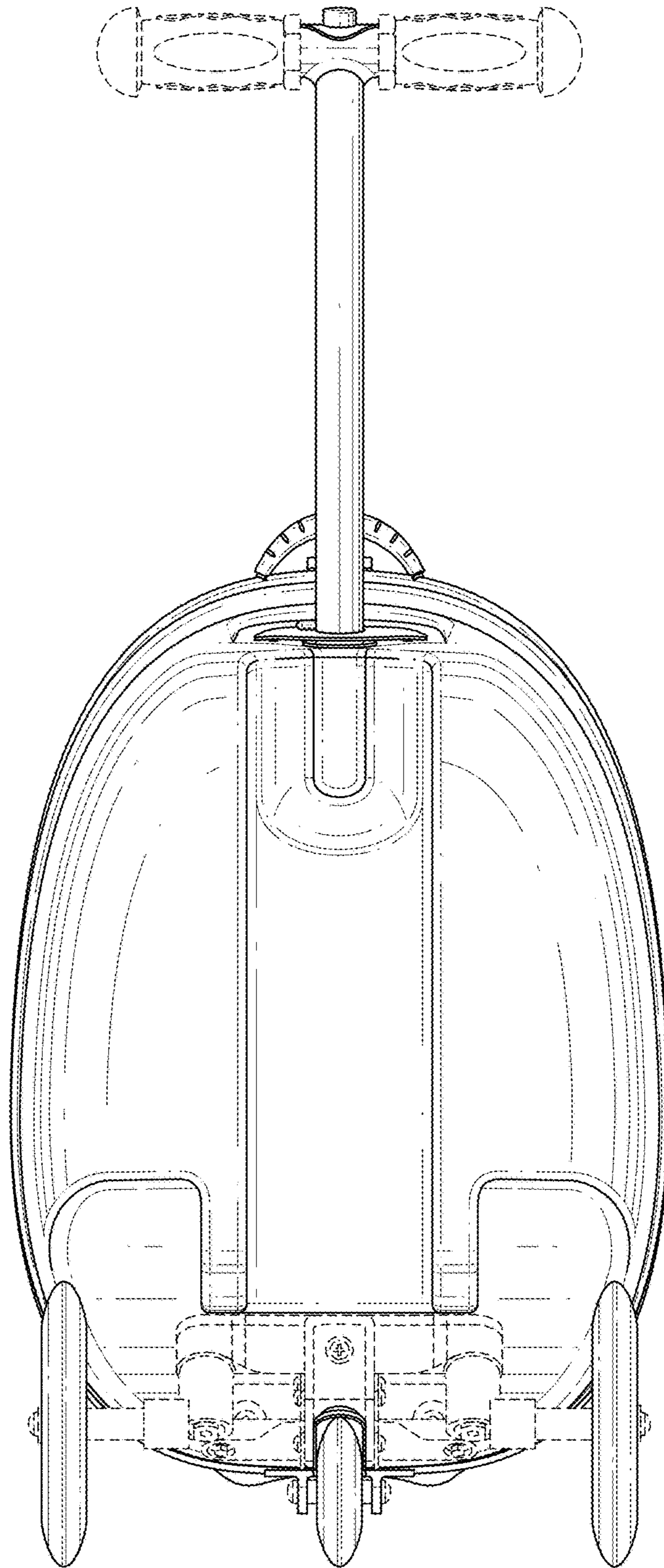


FIG. 4



FIG. 5

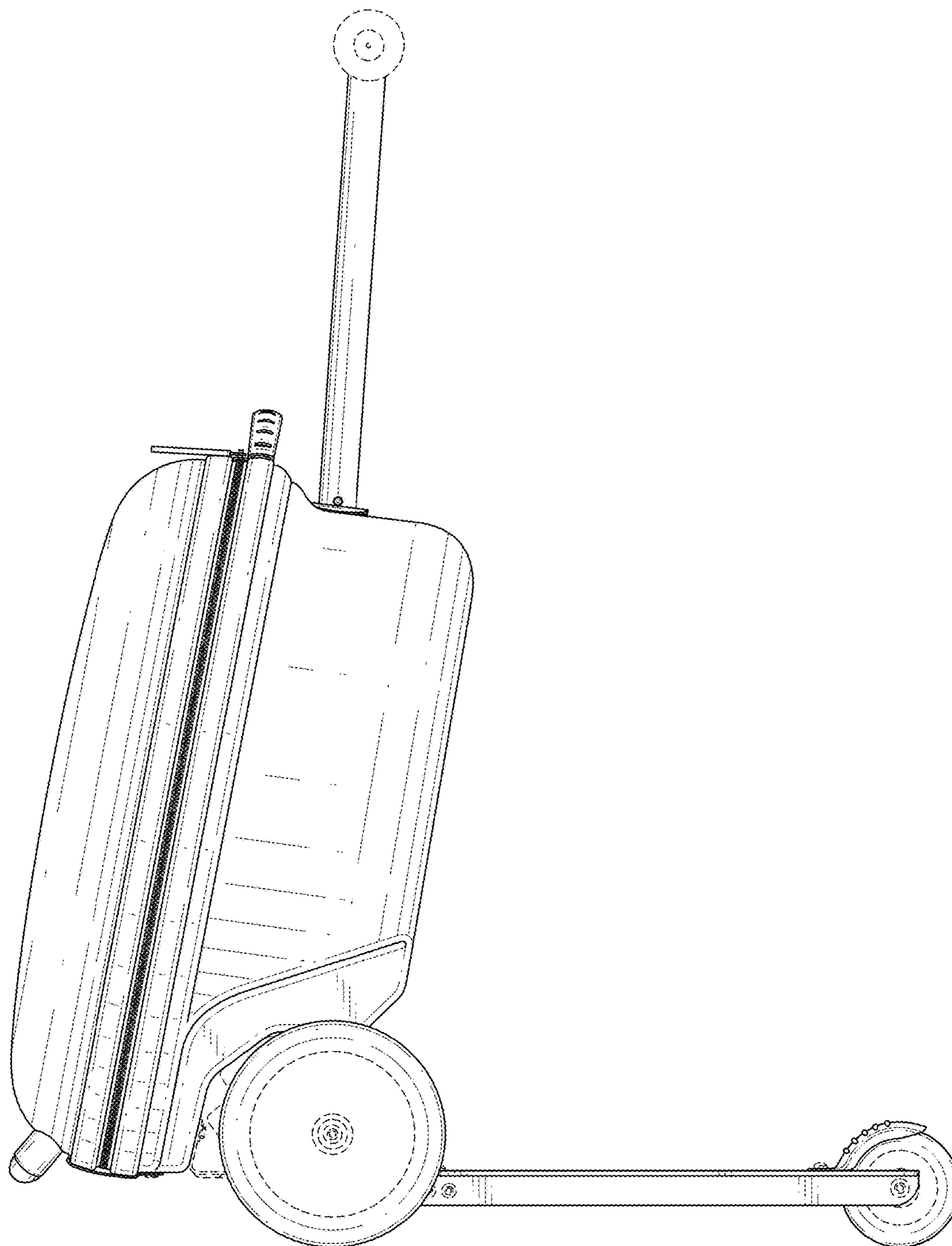


FIG. 6



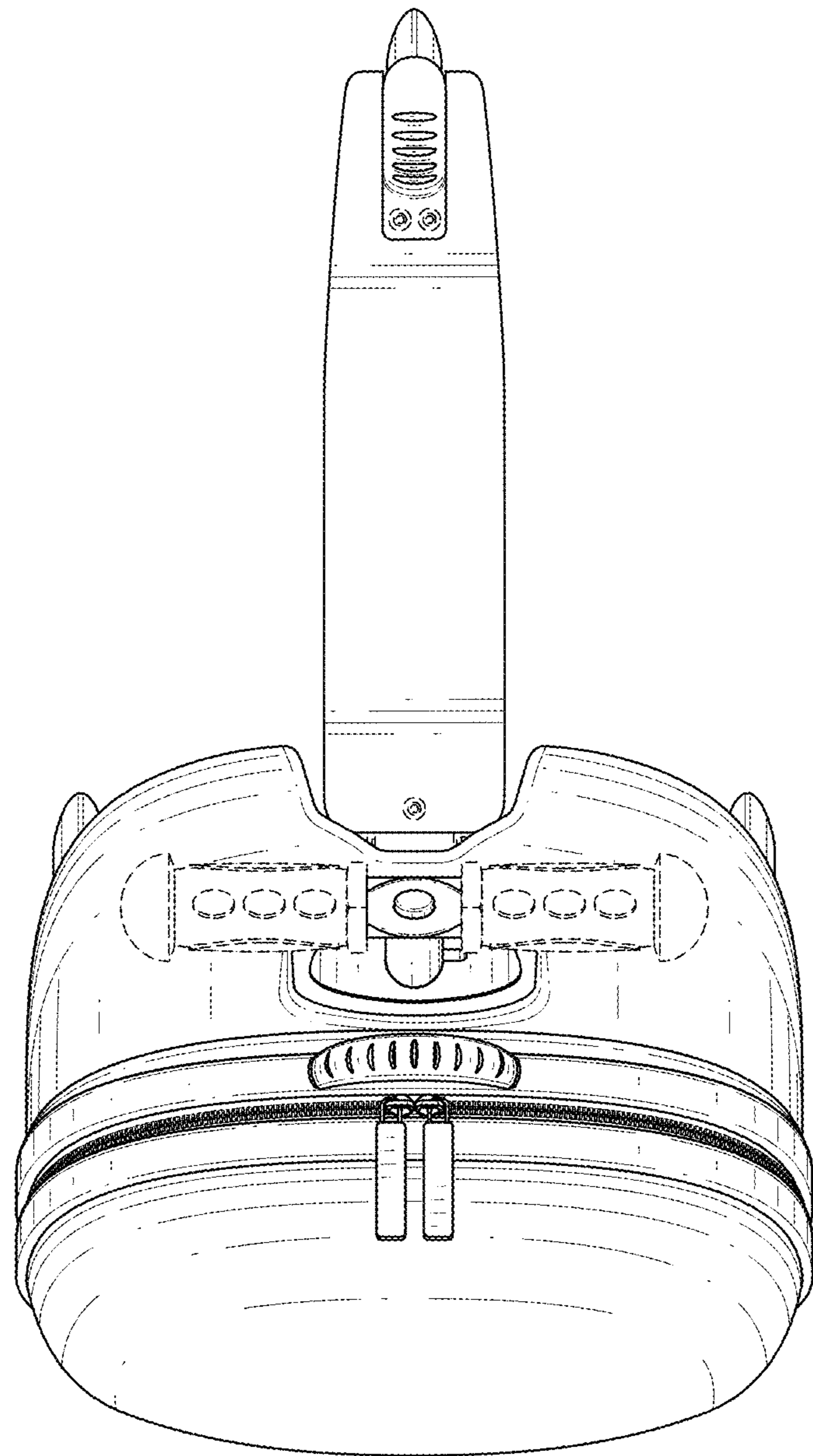


FIG. 7

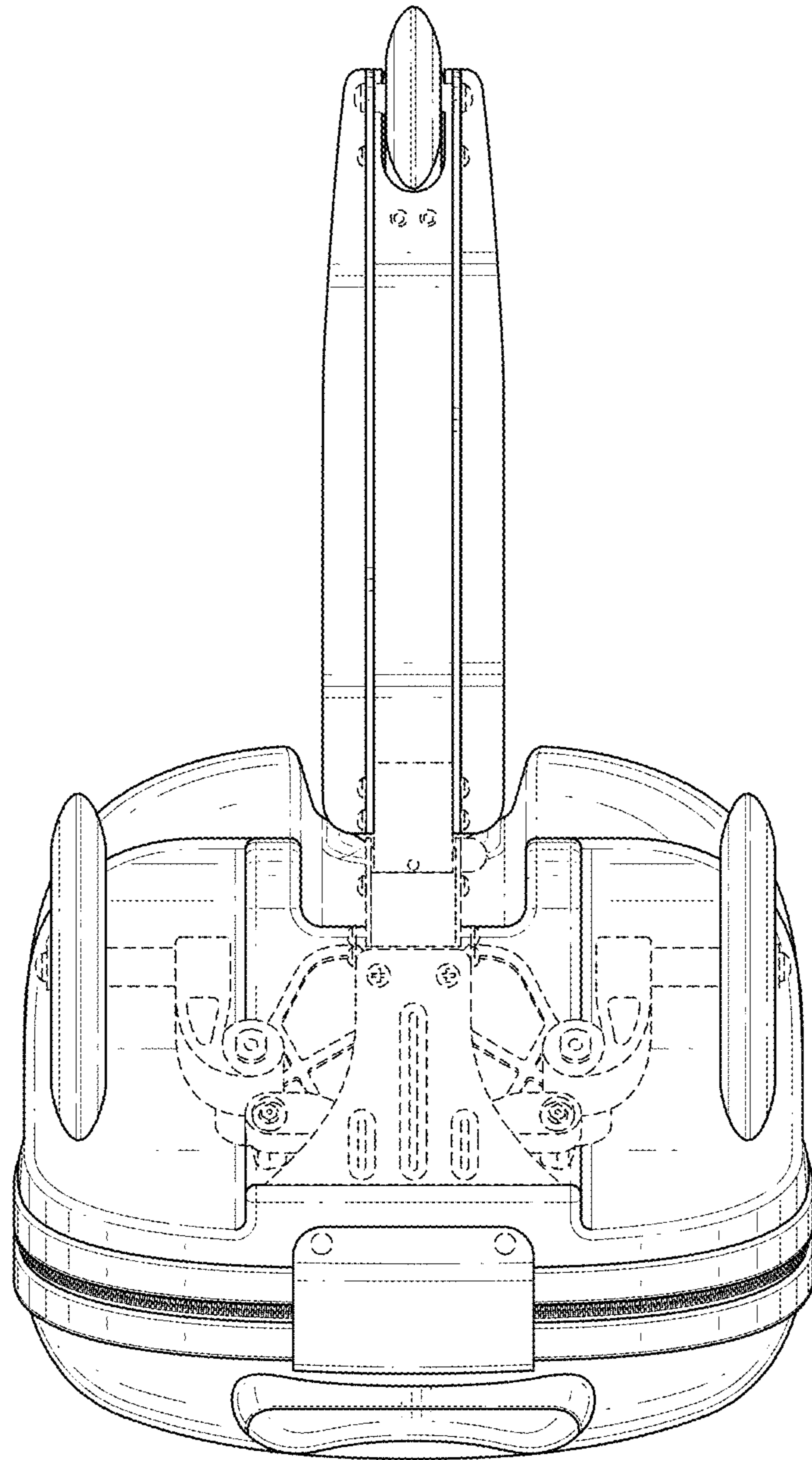


FIG. 8