



US00D786361S

(12) **United States Design Patent** (10) **Patent No.:** **US D786,361 S**
Stambler (45) **Date of Patent:** **** May 9, 2017**

(54) **SLOT MACHINE CARD HOLDER**

(71) Applicant: **Kenneth Stambler**, Warr Acres, OK (US)

(72) Inventor: **Kenneth Stambler**, Oklahoma City, OK (US)

(**) Term: **15 Years**

(21) Appl. No.: **29/538,650**

(22) Filed: **Sep. 4, 2015**

(51) **LOC (10) Cl.** **21-01**

(52) **U.S. Cl.**
 USPC **D21/392**

(58) **Field of Classification Search**
 USPC D21/369, 370, 371, 385, 329, 325, 394, D21/392; D14/307, 172, 129, 325, 401, D14/371, 126, 439, 432, 450, 128, 375; 463/28, 13, 11, 16, 20, 25, 31, 46, 23, 30, 463/17, 36, 29, 42, 34, 32, 35, 19, 21, 22; 273/292, 203, 138.2, 143 R, 142 R, 138.1; D19/60; D16/226; D8/335, 331, 334; D26/14
 CPC G07F 17/32; G07F 17/34; G07F 17/3211; G07F 17/3244; G07F 17/3267
 See application file for complete search history.

D464,998 S 10/2002 Brookins
 D486,531 S 2/2004 Brookins
 D512,106 S 11/2005 Brookins
 D515,909 S 2/2006 Leung
 D536,741 S 2/2007 Brookins
 D570,420 S 6/2008 Brookins
 D592,939 S 5/2009 Kelleghan
 D595,119 S 6/2009 Kelleghan
 D626,184 S 10/2010 Stambler
 D636,823 S 4/2011 Stambler
 D665,854 S 8/2012 Brookins
 D665,855 S 8/2012 Brookins
 D692,063 S 10/2013 Stambler
 D695,514 S 12/2013 Young
 D738,959 S 9/2015 Cabbage
 D765,489 S 9/2016 Little
 D770,570 S * 11/2016 Stambler D21/392

* cited by examiner

Primary Examiner — Robert M Spear
Assistant Examiner — Ryan Harvey
 (74) *Attorney, Agent, or Firm* — Eric Kelly

(57) **CLAIM**

The ornamental design for a slot machine card holder, as shown and described.

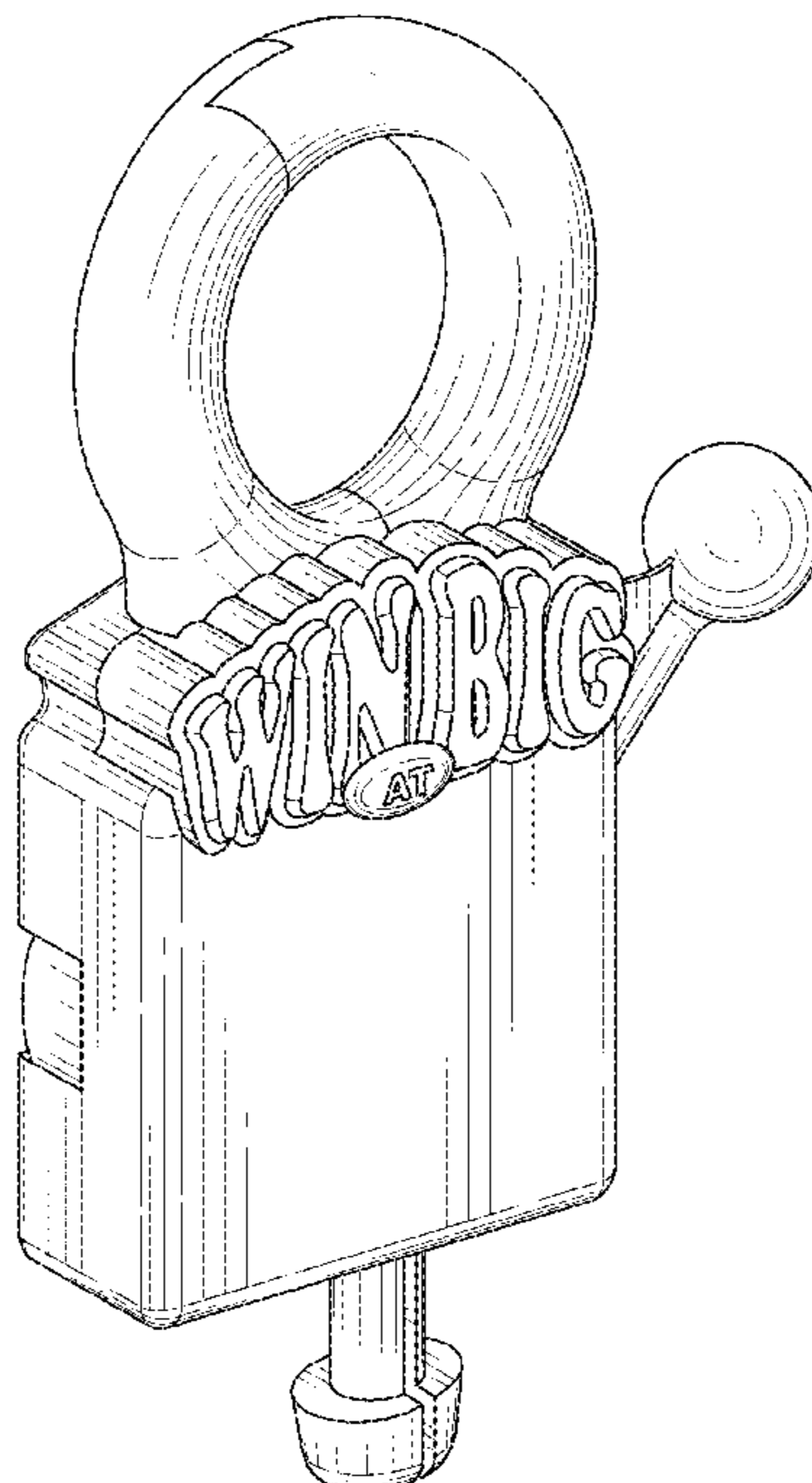
DESCRIPTION

FIG. 1 illustrates a perspective view of the ornamental slot machine card holder.
 FIG. 2 illustrates a front view thereof.
 FIG. 3 illustrates a back view thereof.
 FIG. 4 illustrates a left-side view thereof.
 FIG. 5 illustrates a right-side view thereof.
 FIG. 6 illustrates a top view thereof; and,
 FIG. 7 illustrates a bottom view thereof.

1 Claim, 3 Drawing Sheets

(56) **References Cited**
 U.S. PATENT DOCUMENTS

D132,764 S	6/1942	La Verde
D361,516 S	8/1995	Peersmann
D366,359 S	1/1996	Riedl
5,560,603 A	10/1996	Seelig
5,590,880 A	1/1997	Flam



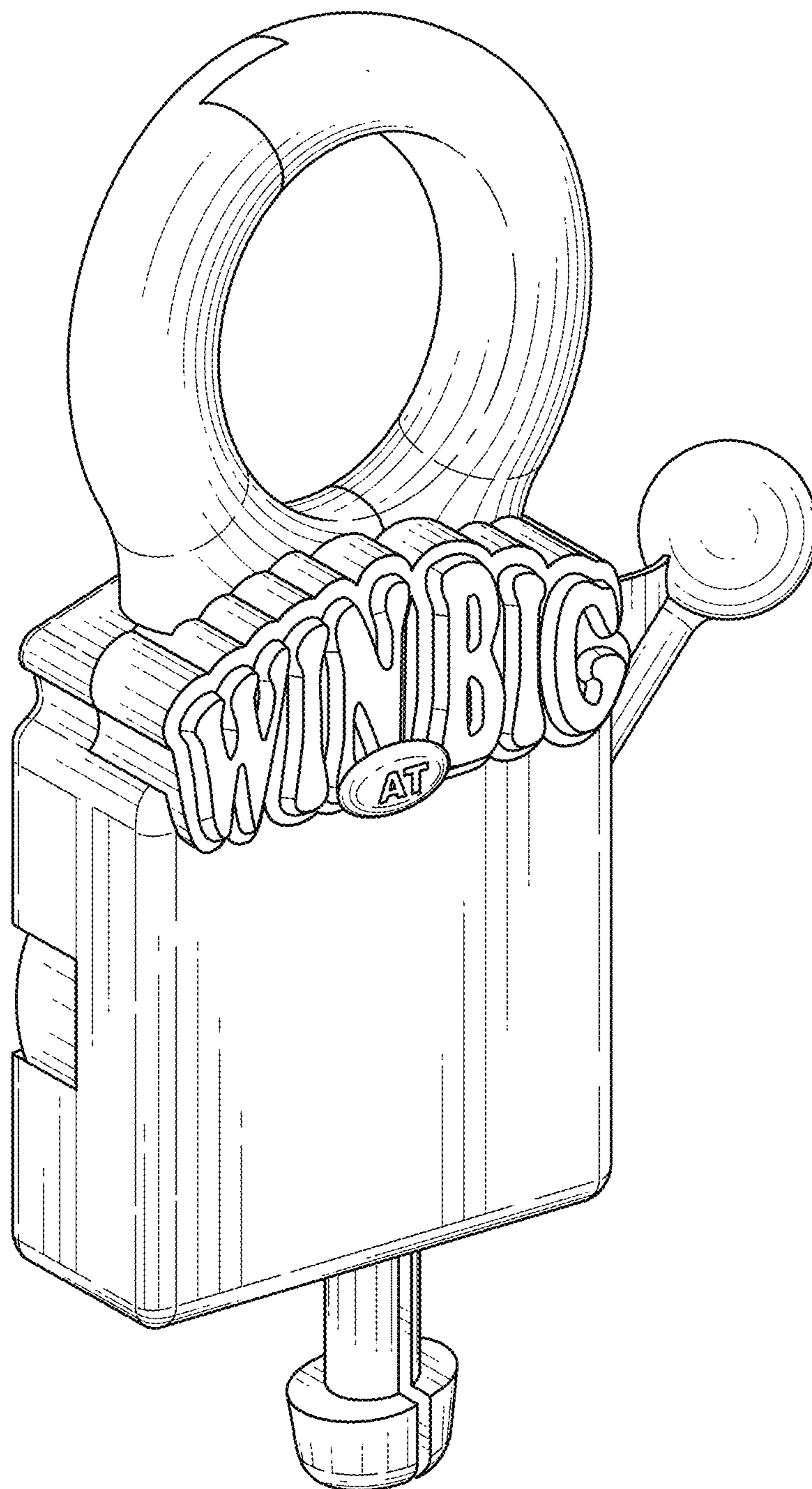


FIG. 1

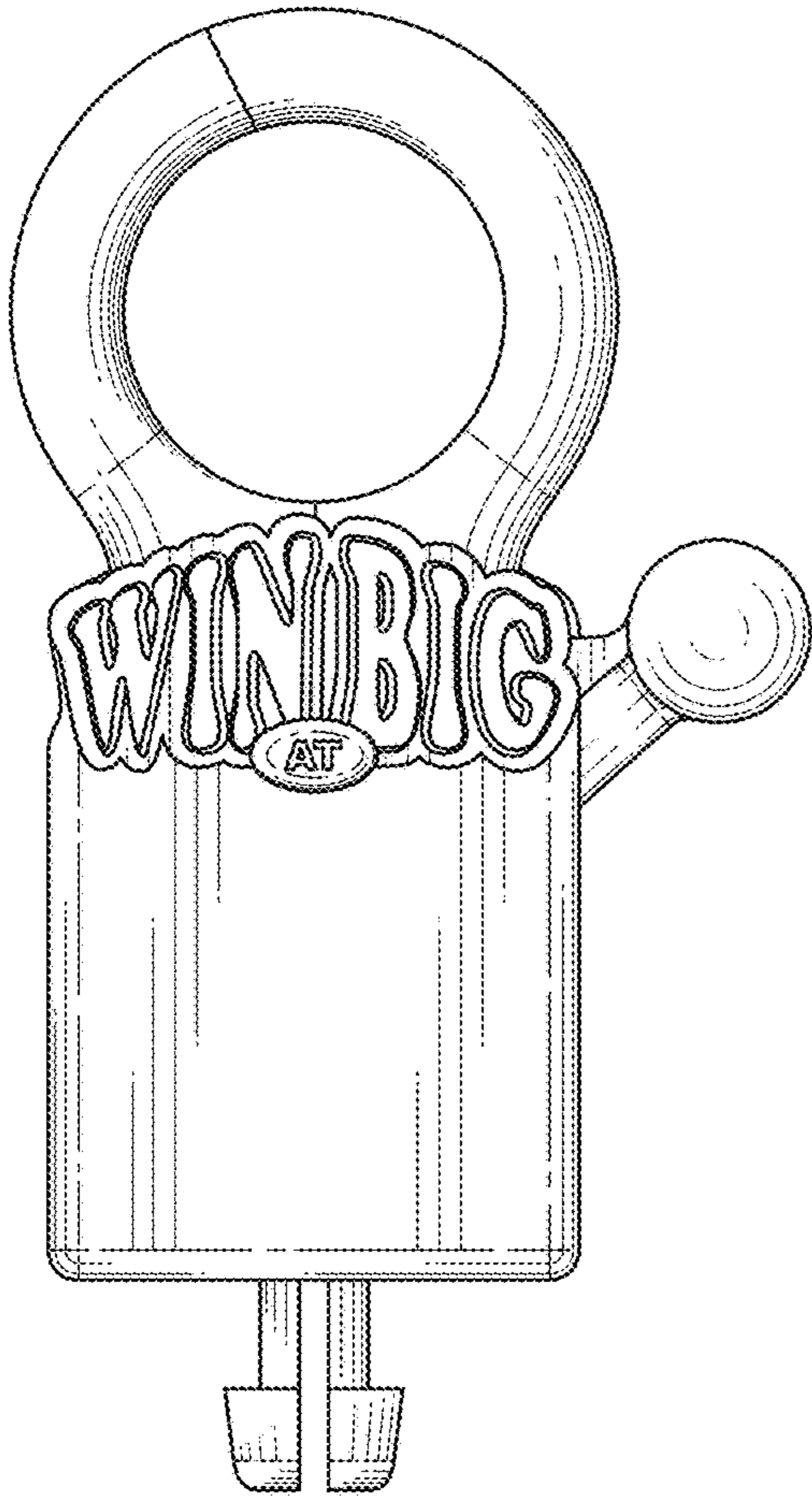


FIG. 2

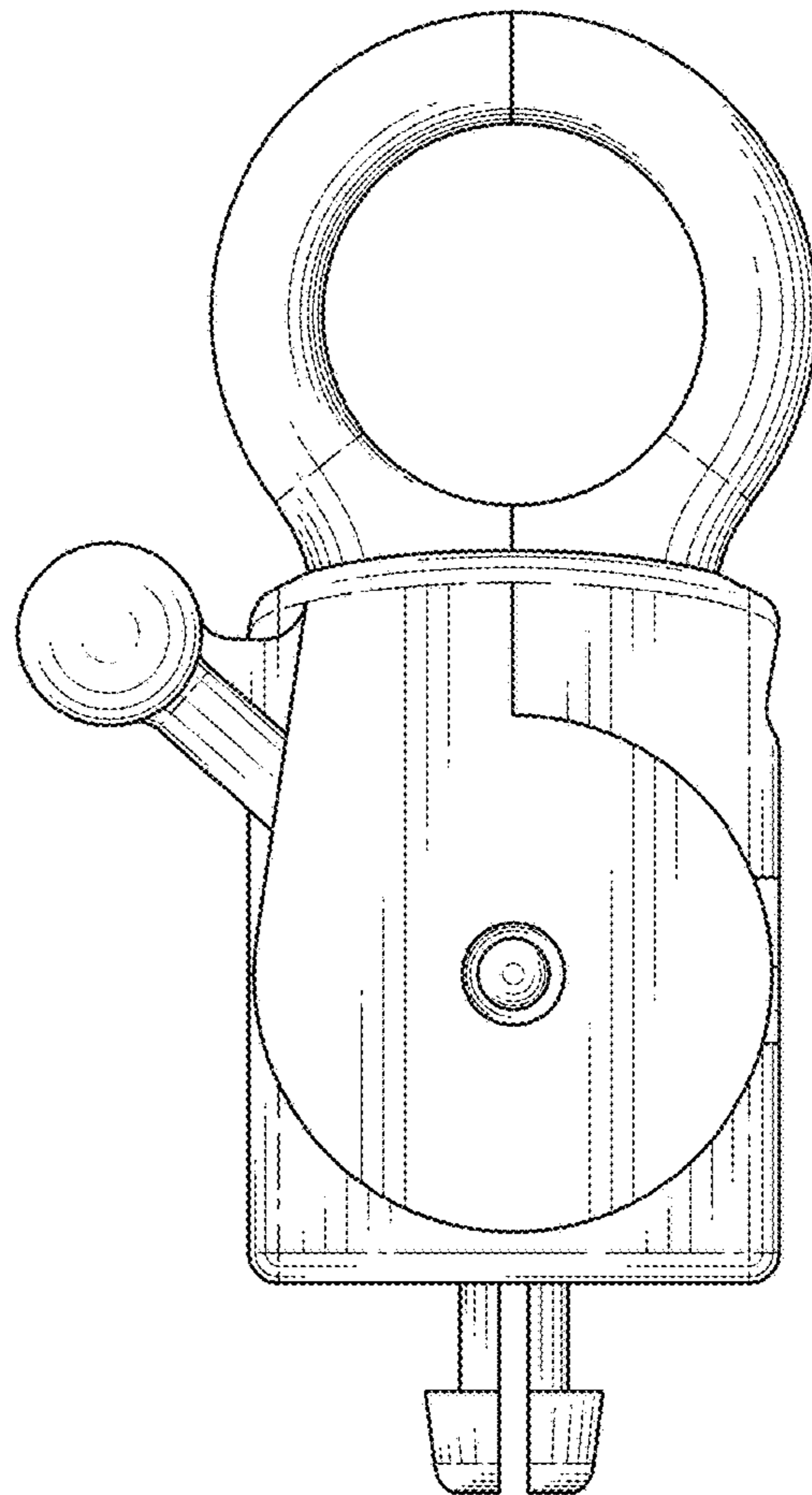


FIG. 3

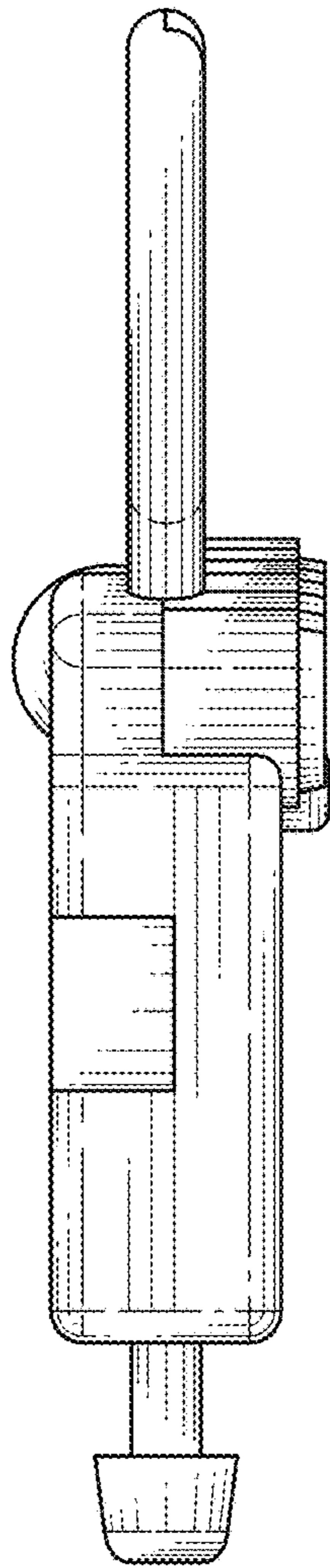


FIG. 4

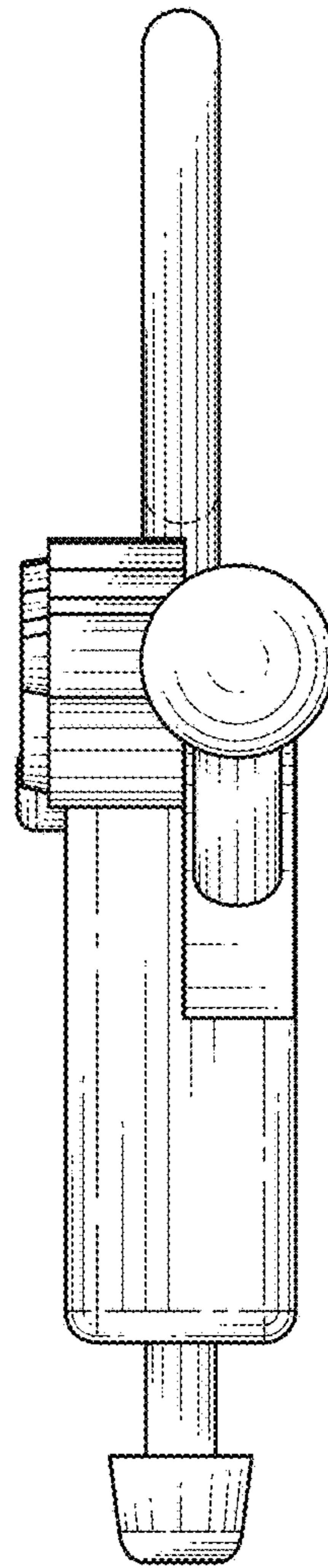


FIG. 5

FIG. 6

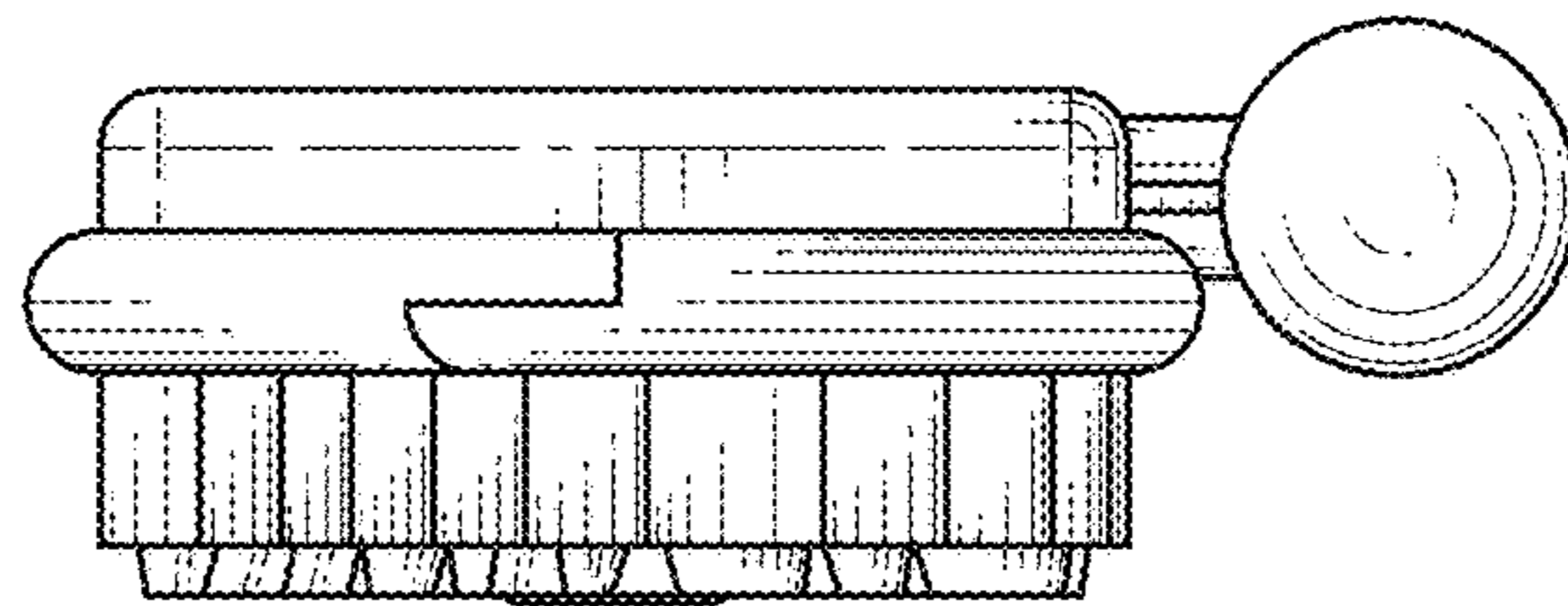


FIG. 7

