



US00D786360S

(12) **United States Design Patent**
Mac-Eóin

(10) **Patent No.:** **US D786,360 S**
(45) **Date of Patent:** **** May 9, 2017**

(54) **GAME BOARD**

(71) Applicant: **Colm Mac-Eóin**, Co. Dublin (IE)
(72) Inventor: **Colm Mac-Eóin**, Co. Dublin (IE)
(**) Term: **14 Years**
(21) Appl. No.: **29/474,783**
(22) Filed: **Feb. 9, 2015**
(51) **LOC (10) Cl.** **21-01**
(52) **U.S. Cl.**
USPC **D21/341; D21/338; D21/339**

(58) **Field of Classification Search**

USPC D21/334, 337-342, 355-359, 365, 318,
D21/397; 273/242, 244-247, 259, 277,
273/287, 317.3, 108.1, 108.5, 118 D,
273/236-240, 283, 309, 441, 461;
D6/406.1, 406.3, 406.4, 406.6; D19/86,
D19/92, 95, 87, 113, 75, 77, 78, 80;
108/14, 62, 43, 67; 434/416, 247, 248,
434/251, 408, 413, 145, 430
CPC A63F 3/00; A63F 3/00003; A63F 3/00028;
A63F 3/00041; A63F 3/00044; A63F
3/00047; A63F 3/00173; A63F 3/00176;
A63F 3/00214; A63F 3/00261; A63F
3/00643; A63F 3/00646-3/00659; A63F
3/04; A63F 2003/00182; A63F
2003/00223; A63F 2003/00457; A63F
2003/0046; A63F 2003/00463; A63F
2003/00466; A63F 2003/0047; A63F
2003/00485; A63F 2003/00492; A63F
2003/00507; A63F 2003/00514; A63F
2003/00533; A63F 2003/00552; A63F
2003/00558; A63F 2003/00943; A63F
2003/00946; A63F
2003/00952-2003/00962; A63F

(Continued)

(56) **References Cited**

U.S. PATENT DOCUMENTS

635,059 A * 10/1899 Pike A63F 7/0005
273/123 R
D101,500 S * 10/1936 Lyell D21/341

(Continued)

Primary Examiner — Susan Moon Lee

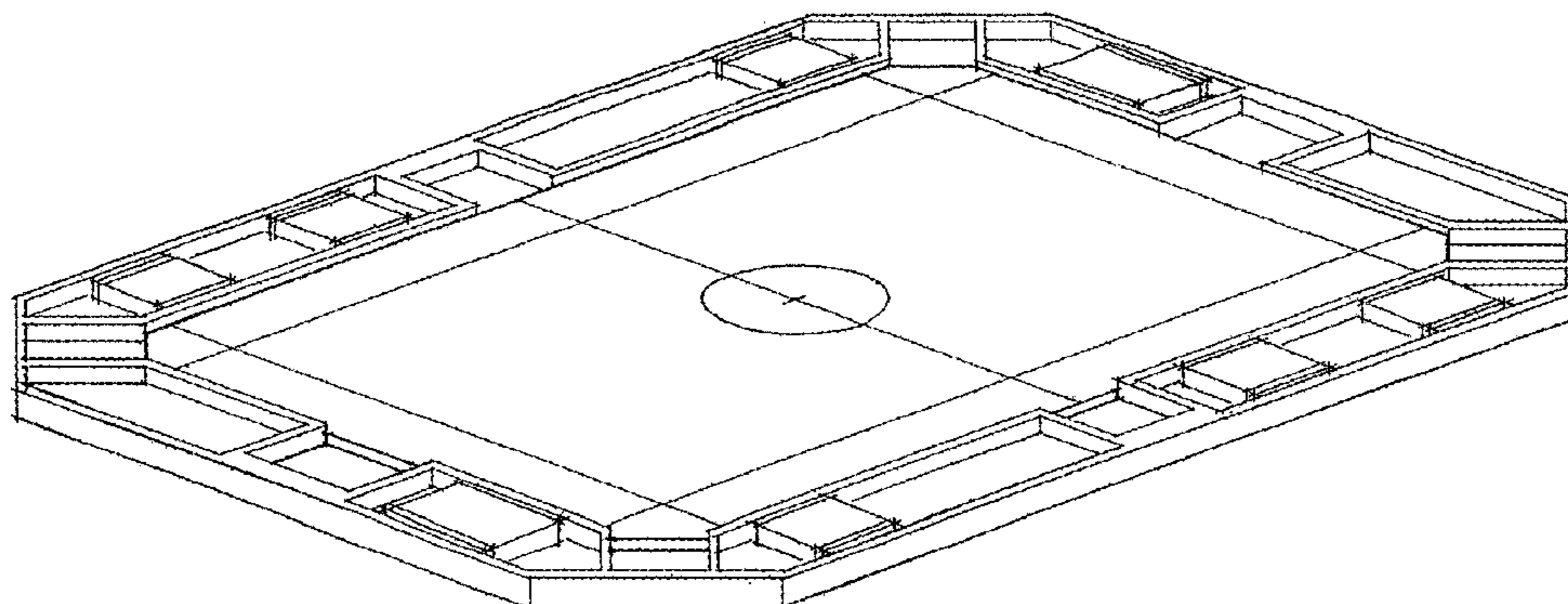
(57) **CLAIM**

I claim the ornamental design for a game board, as shown and described.

DESCRIPTION

FIG. 1 is a top plan view of a game board;
FIG. 2 is a top, side perspective view of the game board in which the filler piece components are placed within the goal and pocket slots, the opposite side perspective view being the same;
FIG. 3 is a top, side perspective view of the game board in which the filler piece components are loosely placed within the trough compartments, the opposite side perspective view being the same;
FIG. 4 is an enlarged fragmentary sectional view depicting a trough compartment with an exemplary filler piece component shown illustratively in broken line;
FIG. 5 is an enlarged fragmentary sectional view depicting a goal or pocket in which a filler piece component is placed within;
FIG. 6 is an enlarged fragmentary sectional view depicting an empty goal or pocket sans filler piece component;
FIG. 7 is an enlarged fragmentary sectional view depicting a corner pocket in which a filler piece component is placed within; and,
FIG. 8 is an enlarged fragmentary sectional view depicting an empty corner pocket sans filler piece component.
The underside of the game board is plain.
Though the filler piece components do comprise part of the claimed design, as shown in FIGS. 2, 3, 5 and 7, the broken line showing of the filler piece component in FIG. 4 is exemplary only.

1 Claim, 4 Drawing Sheets



(58) **Field of Classification Search**

CPC 2003/00974; A63F 7/00; A63F 7/06; A63F 7/0612; A63F 7/0604; A63F 7/0616-7/0636; A63F 7/30; A63F 7/36; A63F 7/0005; A63F 7/0017; A63F 7/0023; A63F 2007/0035; A63F 2007/367; A63F 2007/3674

See application file for complete search history.

(56)

References Cited

U.S. PATENT DOCUMENTS

D127,680 S * 6/1941 Greitzer D21/369
 D162,355 S * 3/1951 Smith D20/10
 2,608,454 A * 8/1952 Slattery A47B 25/00
 108/26
 3,051,489 A * 8/1962 Goldschmidt A63F 3/00176
 273/246
 3,086,778 A * 4/1963 Maurer A63F 7/0616
 273/108.55
 3,685,170 A * 8/1972 Fairleigh G09B 1/08
 273/239
 3,980,298 A * 9/1976 Breslow A63F 9/00
 273/459
 D256,140 S * 7/1980 Riley, Sr. D21/346
 4,283,054 A * 8/1981 Patella A63F 7/0023
 273/126 R
 4,303,246 A * 12/1981 Strongin A63F 3/00097
 273/153 S
 4,378,941 A * 4/1983 Derby G09B 19/00
 273/244
 4,468,036 A * 8/1984 Istrati A63F 3/00097
 273/153 S
 D285,579 S * 9/1986 Hill D21/339

D294,720 S * 3/1988 MacDowell D21/318
 4,871,170 A * 10/1989 Carini A63F 7/0668
 273/108.1
 D327,916 S * 7/1992 Spikes D21/323
 D347,026 S * 5/1994 Young D21/318
 D376,389 S * 12/1996 Suzuki D21/341
 5,827,072 A * 10/1998 Neufer A63B 69/002
 434/247
 5,836,585 A * 11/1998 LaCivita A63F 3/00895
 273/244.2
 D453,537 S * 2/2002 Shoptaugh D21/342
 D460,984 S * 7/2002 McGowan D19/113
 6,464,507 B1 * 10/2002 Bailey G09B 19/0038
 434/247
 D505,553 S * 5/2005 Mohundro D6/300
 D532,980 S * 12/2006 Hutton D6/300
 7,147,225 B2 * 12/2006 Navarro A63F 7/06
 273/108.1
 7,325,803 B1 * 2/2008 Miranda A63F 7/0668
 273/108.41
 8,241,135 B2 * 8/2012 Tsai A63D 15/04
 473/1
 D739,469 S * 9/2015 Smith D21/318
 D767,031 S * 9/2016 Foxcroft D19/113
 2003/0077555 A1 * 4/2003 Soppit A63B 67/04
 434/247
 2006/0273514 A1 * 12/2006 Jacklin A63F 3/00634
 273/287
 2007/0057463 A1 * 3/2007 Del Rincon A63F 3/00
 273/285
 2012/0252304 A1 * 10/2012 Vaughan A63F 3/0023
 446/71
 2015/0054632 A1 * 2/2015 Ben Ezra H04Q 9/00
 340/323 R

* cited by examiner

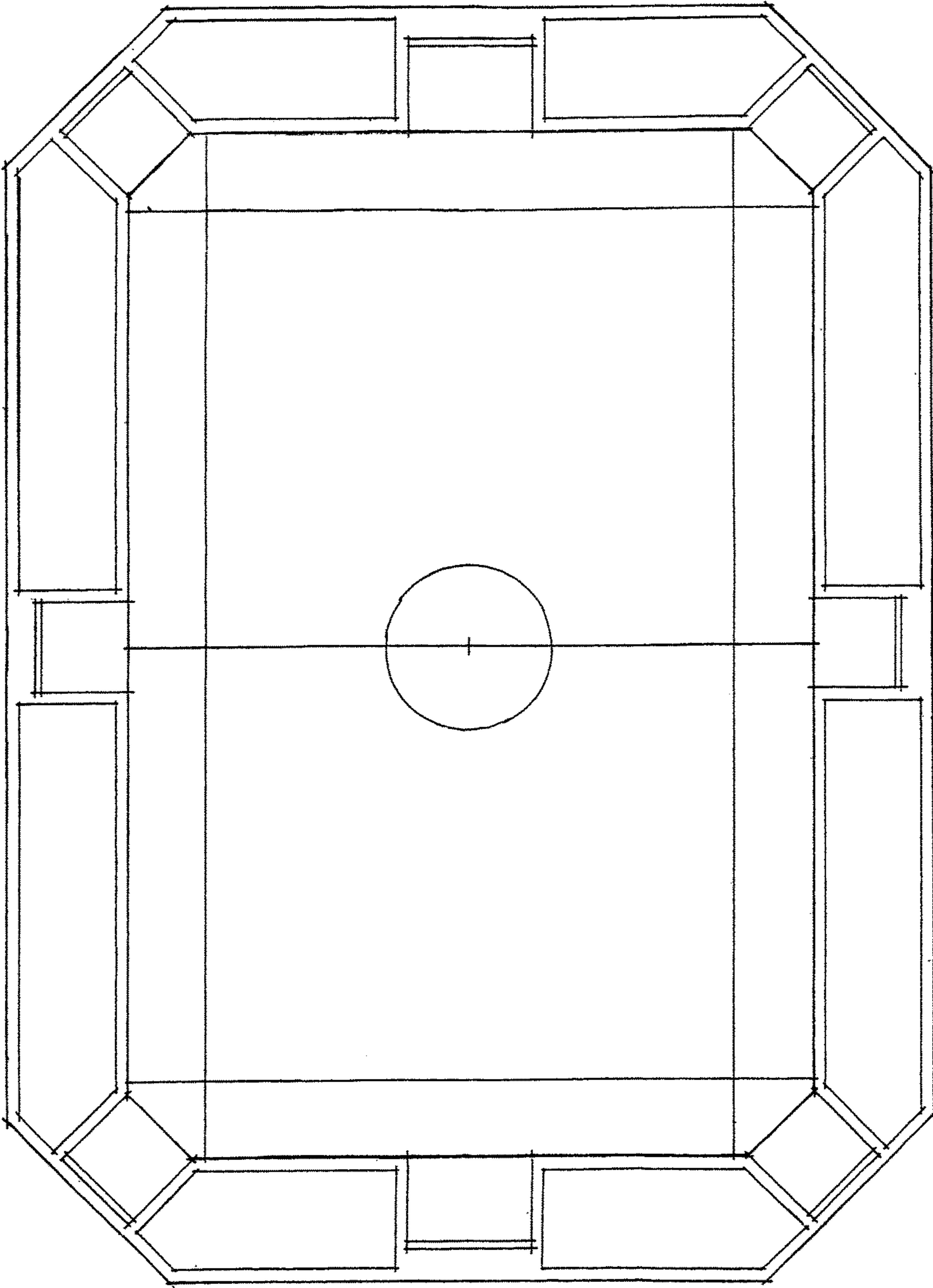


Fig. 1.

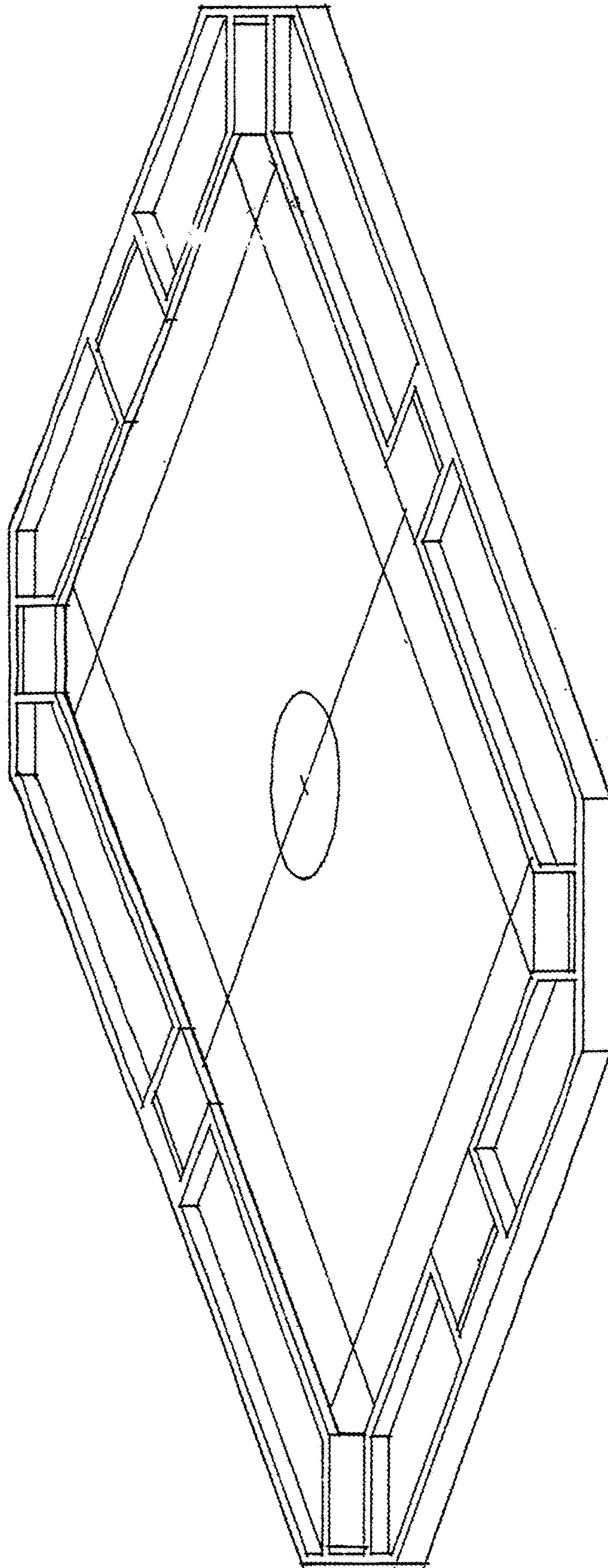


Fig. 2.

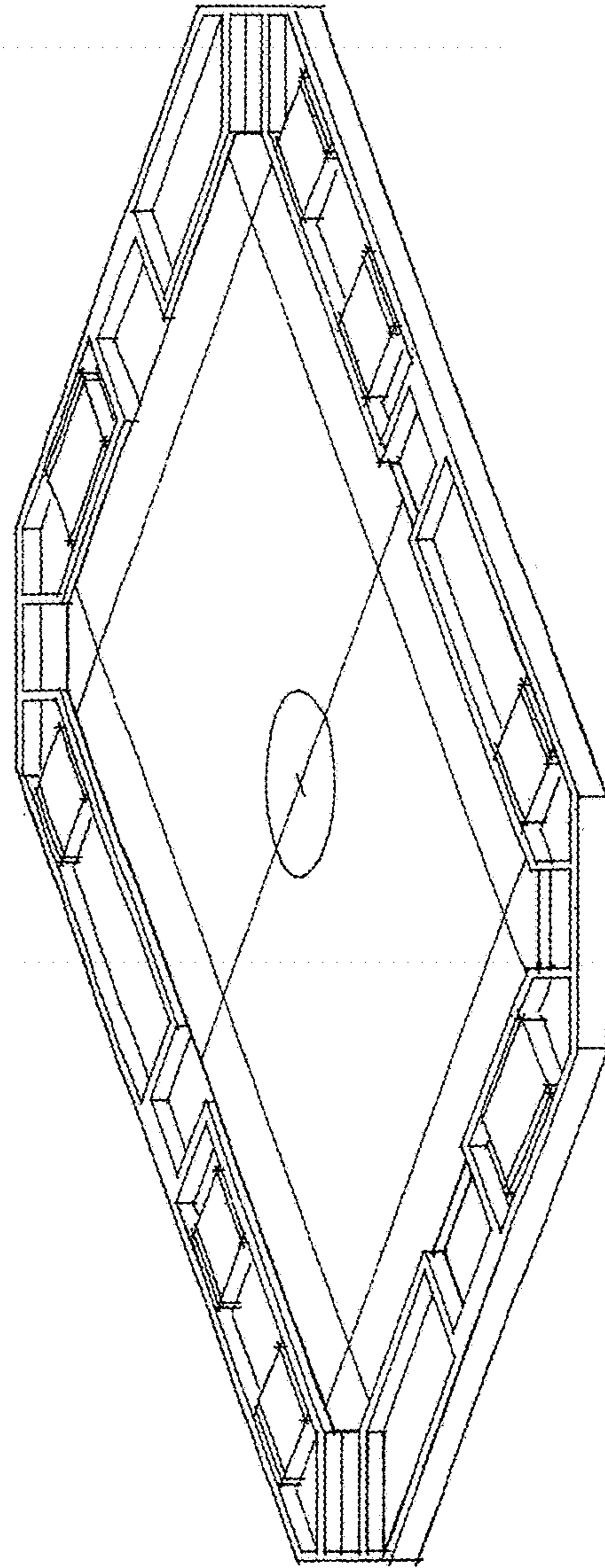


Fig. 3.

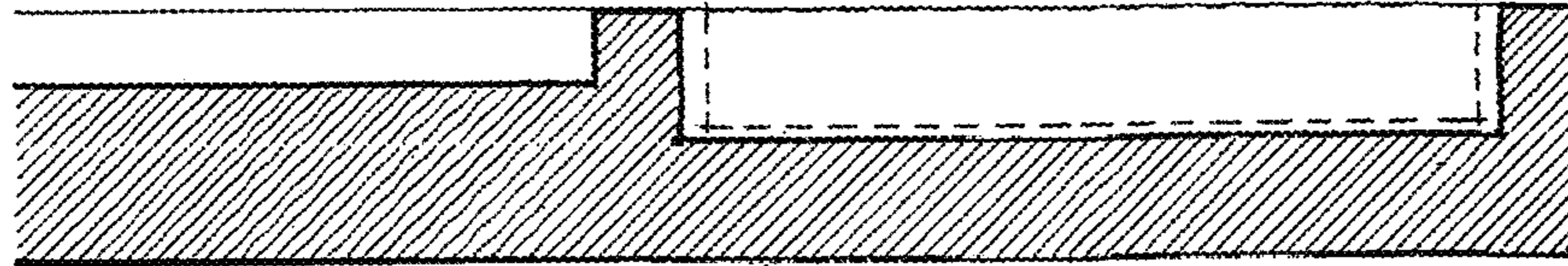


Fig. 4.

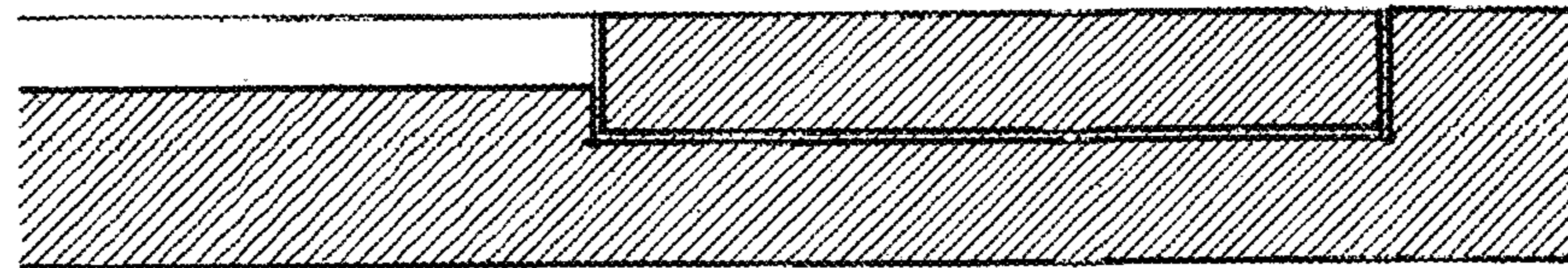


Fig. 5.

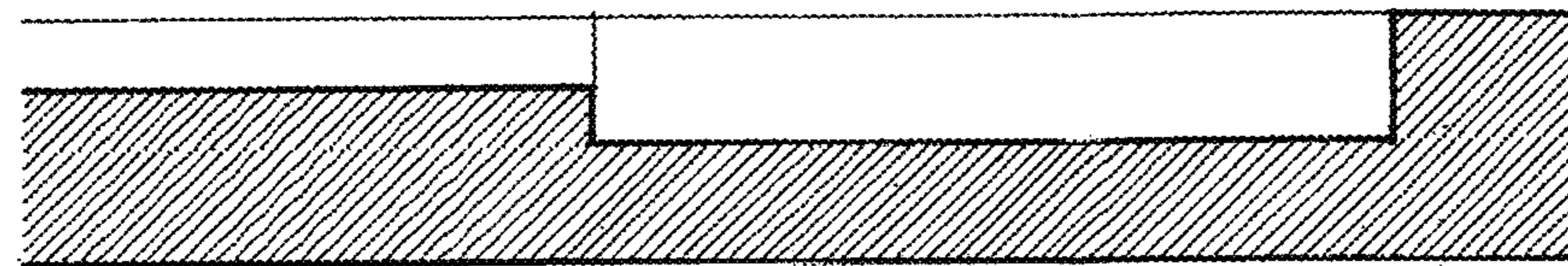


Fig. 6.

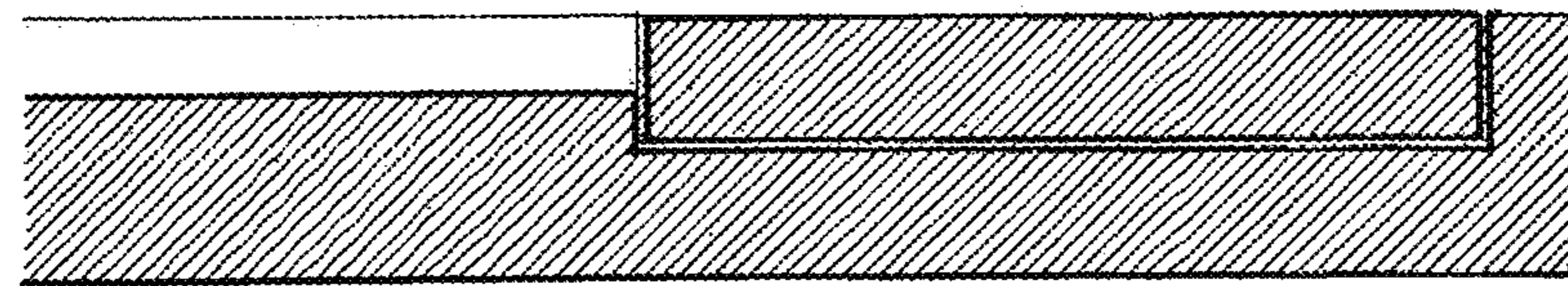


Fig. 7.

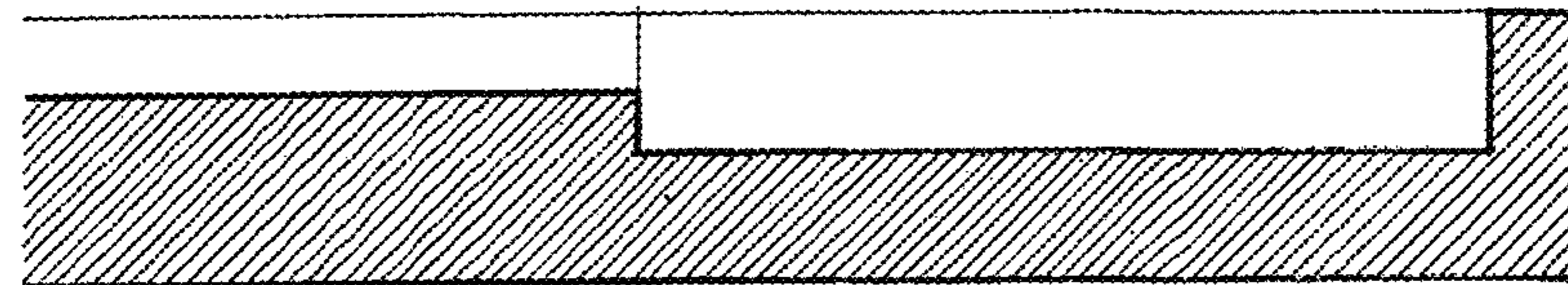


Fig. 8.