



US00D786358S

(12) **United States Design Patent**
Miller et al.

(10) **Patent No.:** **US D786,358 S**

(45) **Date of Patent:** **** May 9, 2017**

- (54) **PEN**
- (71) Applicant: **Poppin, Inc.**, New York, NY (US)
- (72) Inventors: **Jeffrey Frederick Miller**, New York, NY (US); **Matteo Bonacina**, New York, NY (US); **Adrian Gomez**, Edgewater, NJ (US); **Justin Daniel Dollinger**, New York, NY (US)
- (73) Assignee: **POPPIN, INC.**, New York, NY (US)
- (**) Term: **15 Years**
- (21) Appl. No.: **29/532,886**
- (22) Filed: **Jul. 10, 2015**
- (51) **LOC (10) Cl.** **19-06**
- (52) **U.S. Cl.**
USPC **D19/169**
- (58) **Field of Classification Search**
USPC D14/411; D19/115–204
CPC ... B43K 5/00; B43K 7/00; B43K 7/10; B43K 7/12; B43K 8/04; B43K 19/00; B43K 19/02; B43K 19/14
See application file for complete search history.

(56) **References Cited**

U.S. PATENT DOCUMENTS

D266,769 S *	11/1982	Camps	D19/169
D280,420 S *	9/1985	Verhaegue	D19/169
D280,737 S *	9/1985	Verhaegue	D19/169
D327,911 S *	7/1992	Poisson	D19/168
D334,408 S *	3/1993	Takemura	D19/197
D345,578 S *	3/1994	Zier	D19/169
D394,877 S *	6/1998	Hsieh	D19/197
D403,706 S *	1/1999	Fukami	D19/170
6,276,855 B1 *	8/2001	Hsien	B43K 23/12
				401/109
D448,407 S *	9/2001	Huang	D19/169

D455,180 S *	4/2002	Hasegawa	D19/195
D545,366 S *	6/2007	Ternovits	D19/169
D568,932 S *	5/2008	Qiu	D19/166
D598,953 S *	8/2009	Yu	D19/166
D601,627 S *	10/2009	Liu	D19/169
D605,695 S *	12/2009	Leibeck	D19/169
D616,935 S *	6/2010	Zhang	D19/166
D641,402 S *	7/2011	Tan	D19/166
D642,621 S *	8/2011	Keum	D19/197
D668,293 S *	10/2012	Chen	D19/169
D670,289 S *	11/2012	Bae	D14/411
D693,877 S *	11/2013	Lv	D19/166
D698,864 S *	2/2014	Watase	D19/164
D711,470 S *	8/2014	Santini	D19/169
D728,688 S *	5/2015	Hung	D19/166
D729,874 S *	5/2015	Larson	D19/169
D736,317 S *	8/2015	Miller	D19/173
D754,791 S *	4/2016	Bonacina	D19/169
D757,852 S *	5/2016	Bonacina	D19/197

(Continued)

Primary Examiner — Elizabeth Albert

(74) *Attorney, Agent, or Firm* — K&L Gates LLP

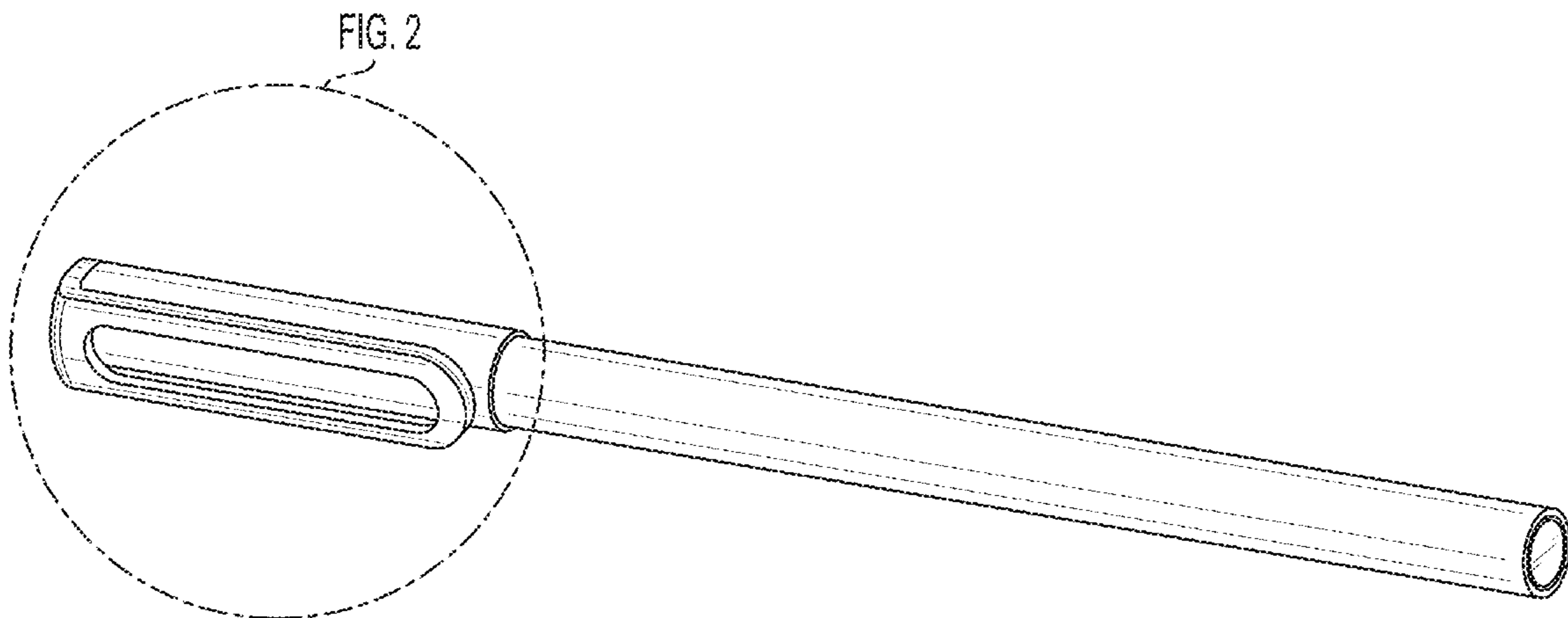
(57) **CLAIM**

The ornamental design for a pen, as shown and described.

DESCRIPTION

FIG. 1 is a front perspective view of a pen showing our new design;
 FIG. 2 is a detailed view of the pen shown in FIG. 1;
 FIG. 3 is a front elevation view thereof;
 FIG. 4 is a detailed view of the pen shown in FIG. 3;
 FIG. 5 is a rear elevation view thereof;
 FIG. 6 is a side elevation view thereof;
 FIG. 7 is a detailed view of the pen shown in FIG. 6;
 FIG. 8 is a top plan view thereof;
 FIG. 9 is a detailed view of the pen shown in FIG. 8;
 FIG. 10 is a bottom plan view thereof; and,
 FIG. 11 is a detailed view of the pen shown in FIG. 10.

1 Claim, 9 Drawing Sheets



(56)

References Cited

U.S. PATENT DOCUMENTS

2009/0265859 A1 * 10/2009 Bhavnani B43K 25/026
7/160

* cited by examiner

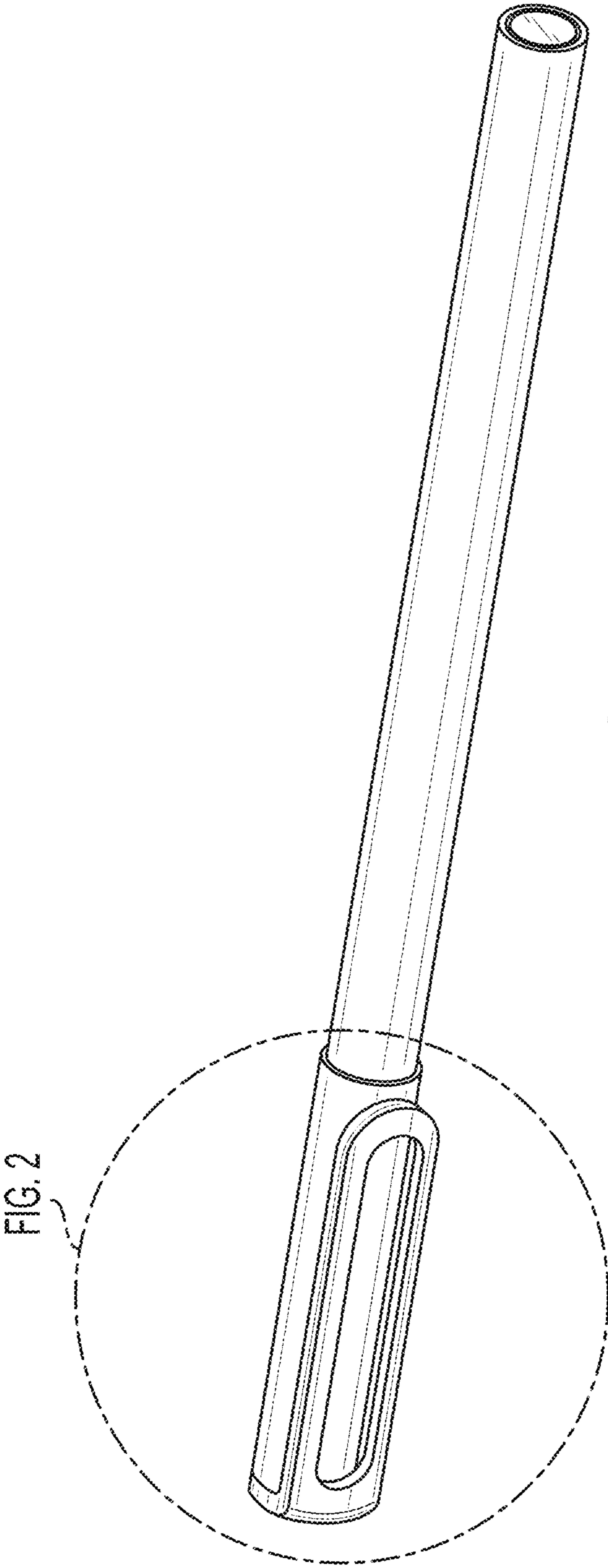


FIG. 1

FIG. 2

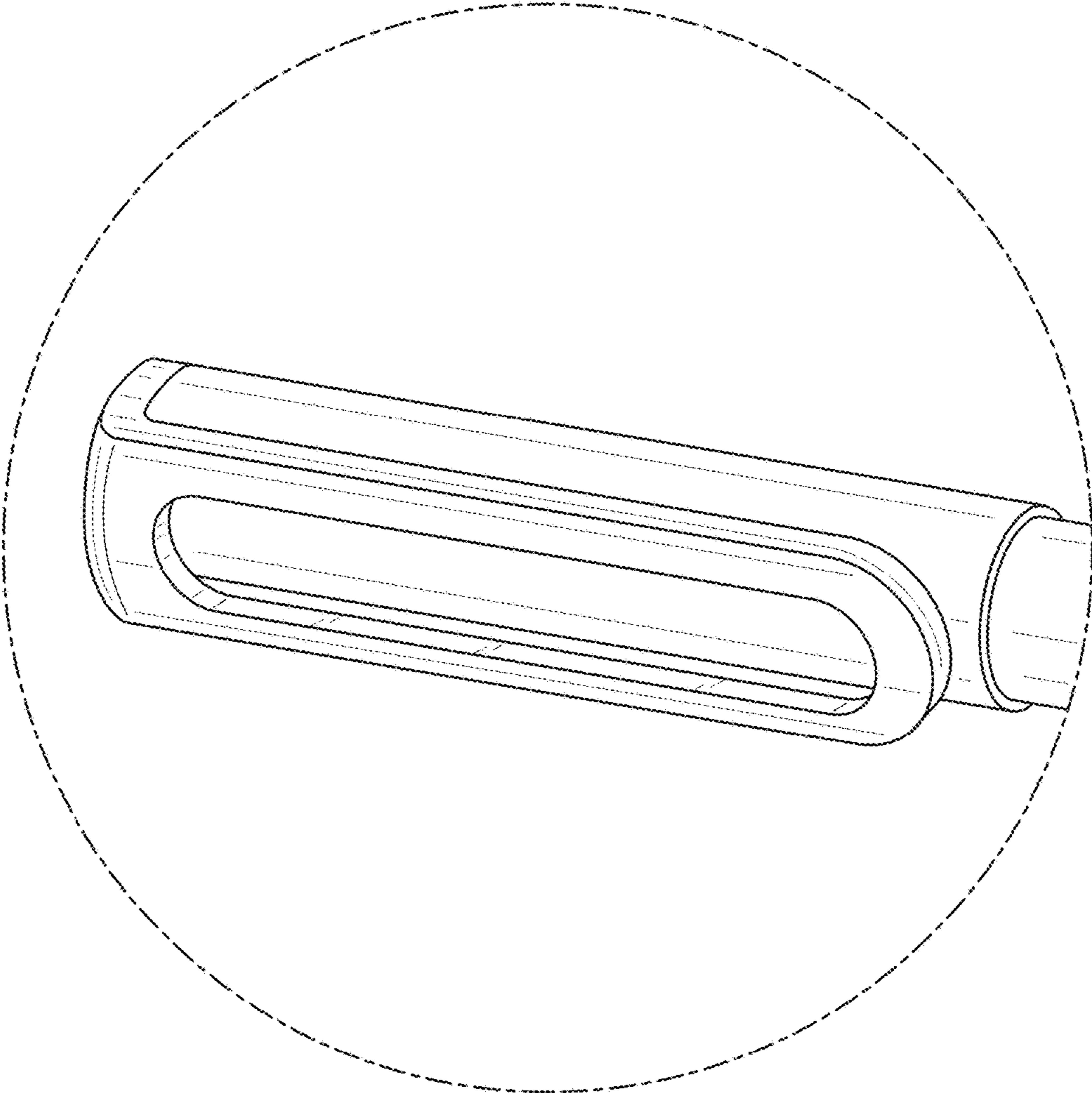


FIG. 2

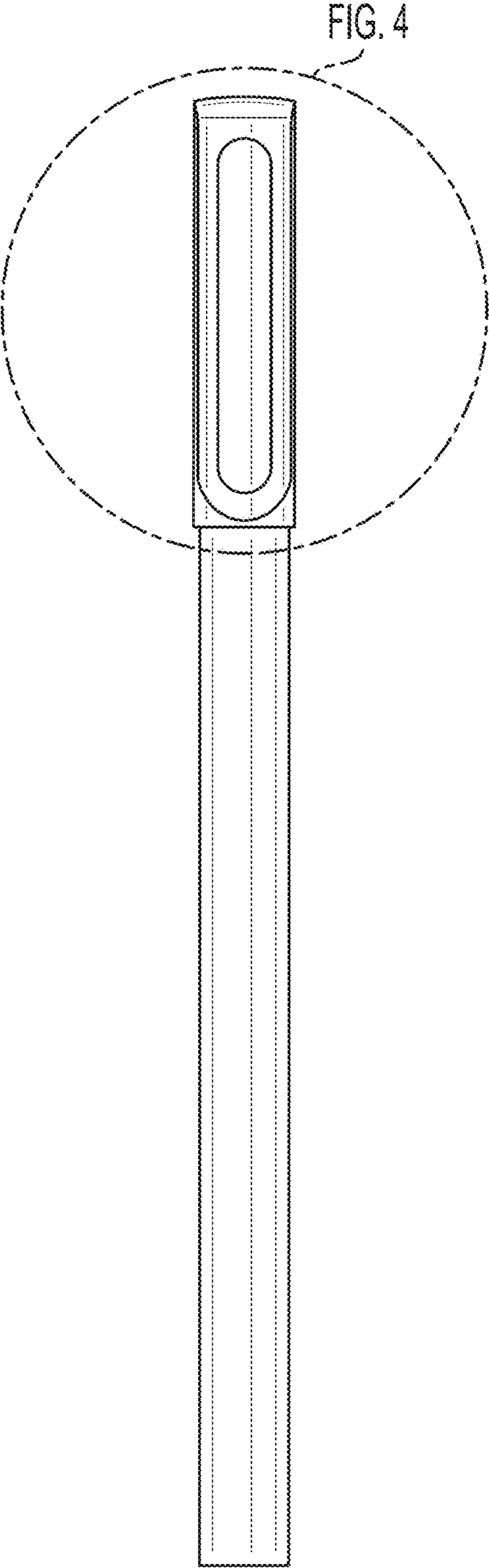


FIG. 3

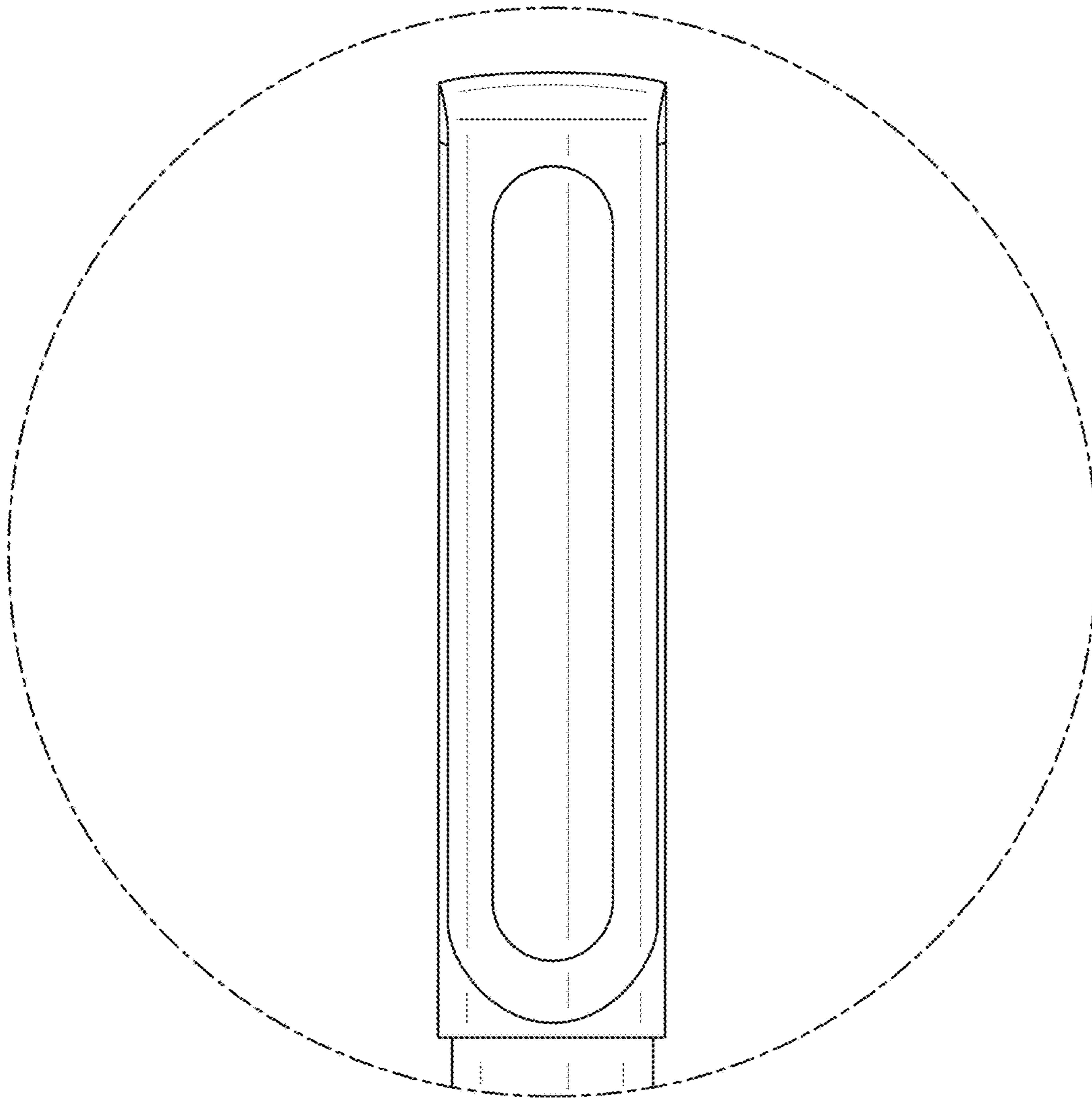


FIG. 4

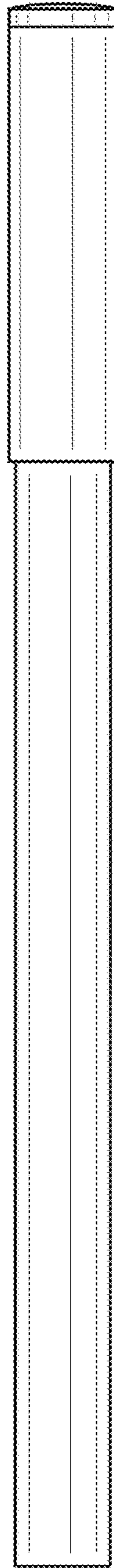


FIG. 5

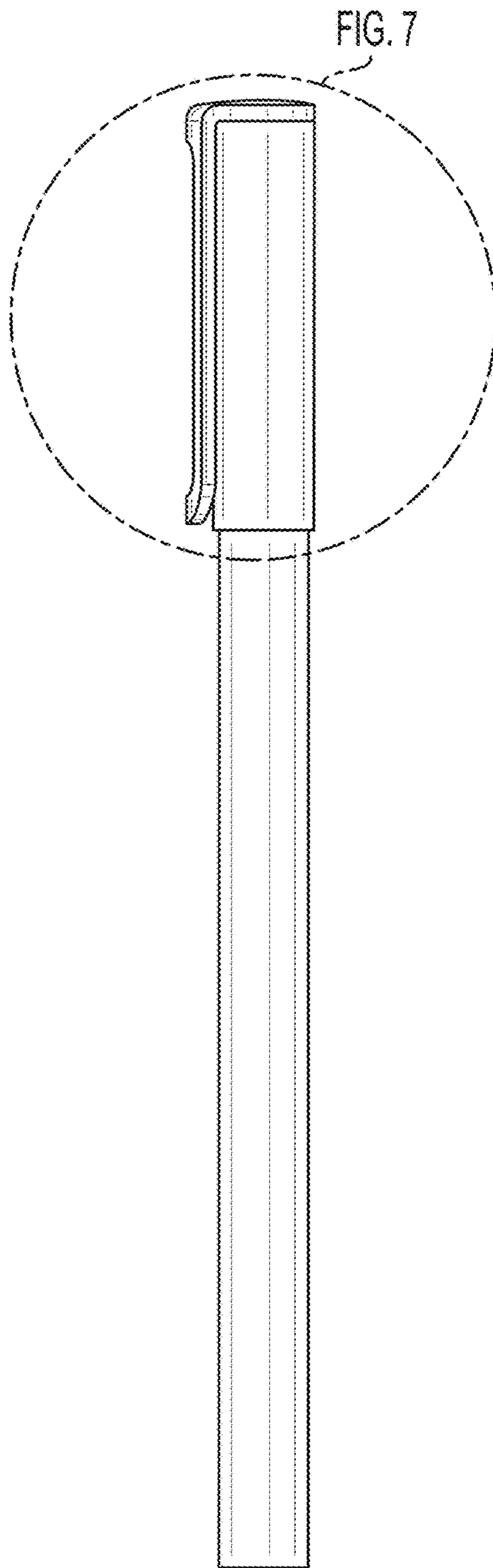


FIG. 6

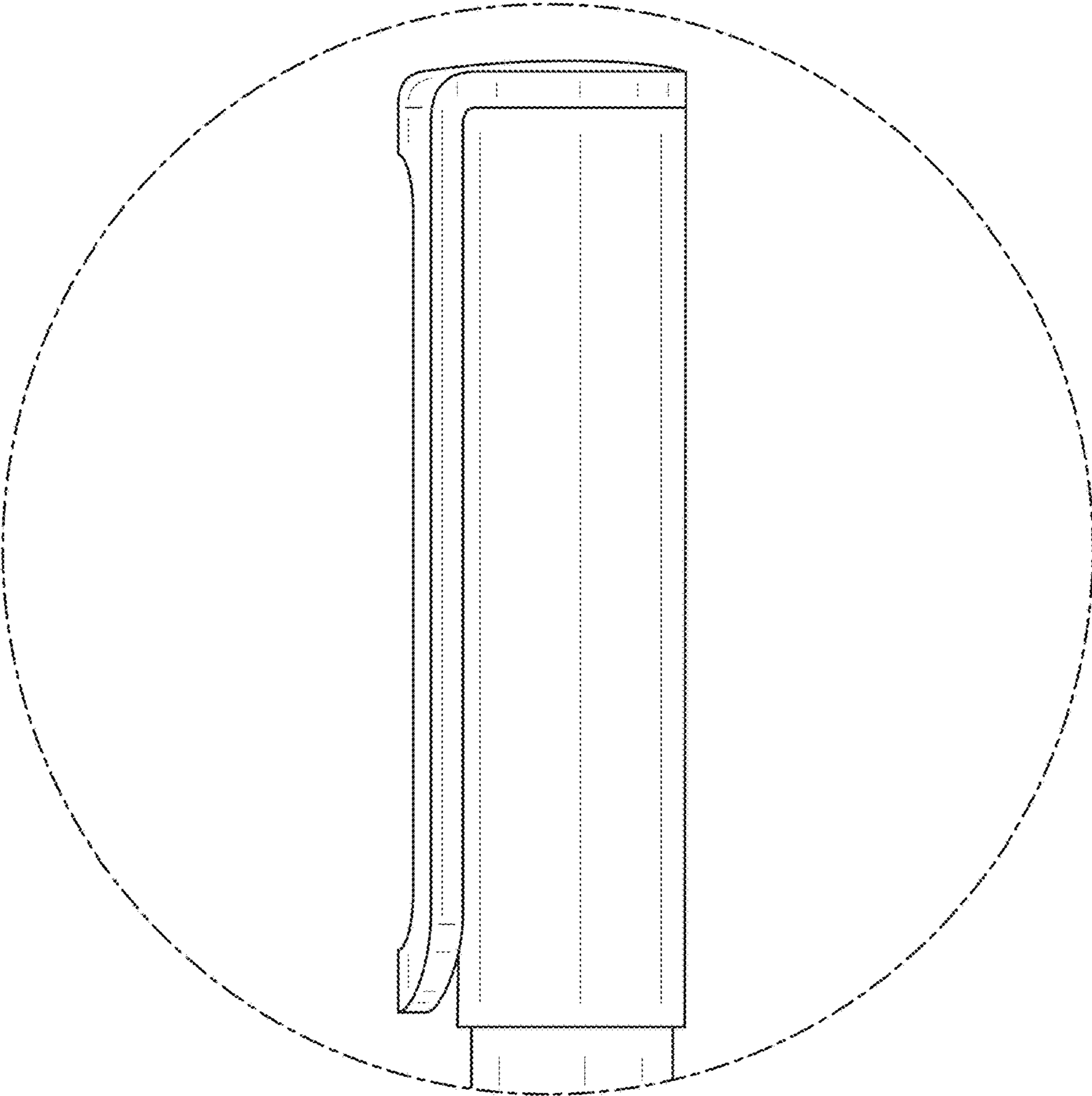
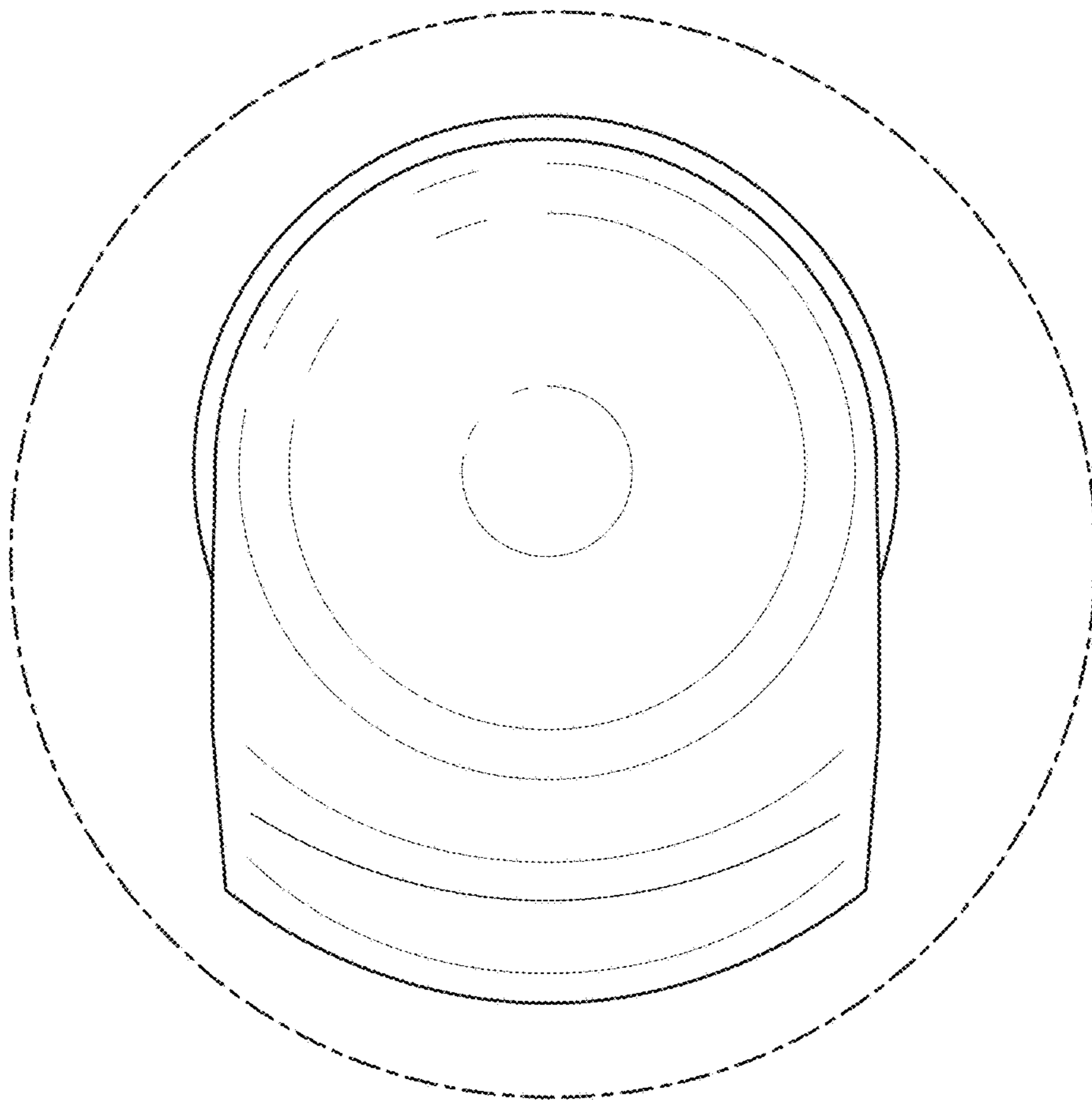
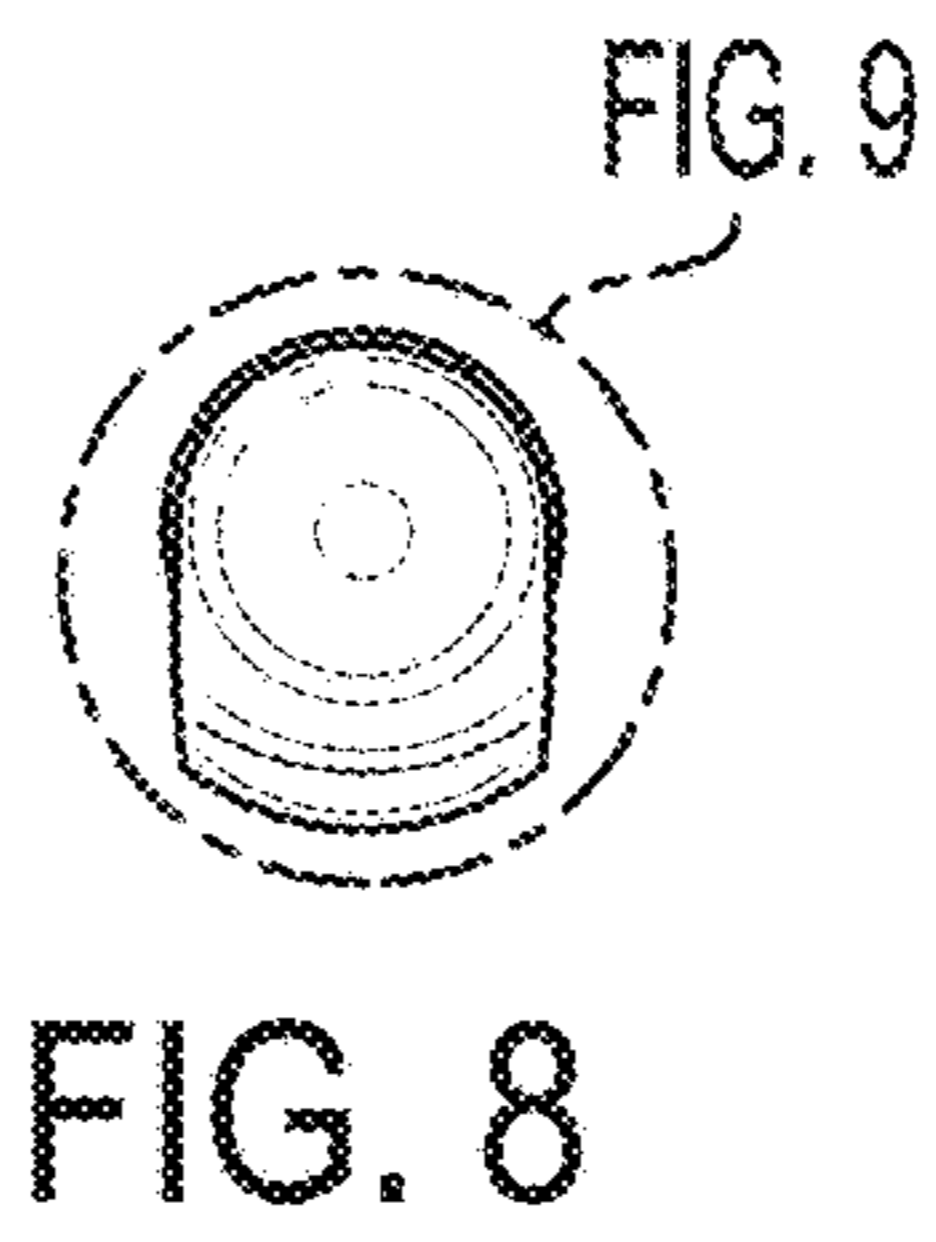


FIG. 7



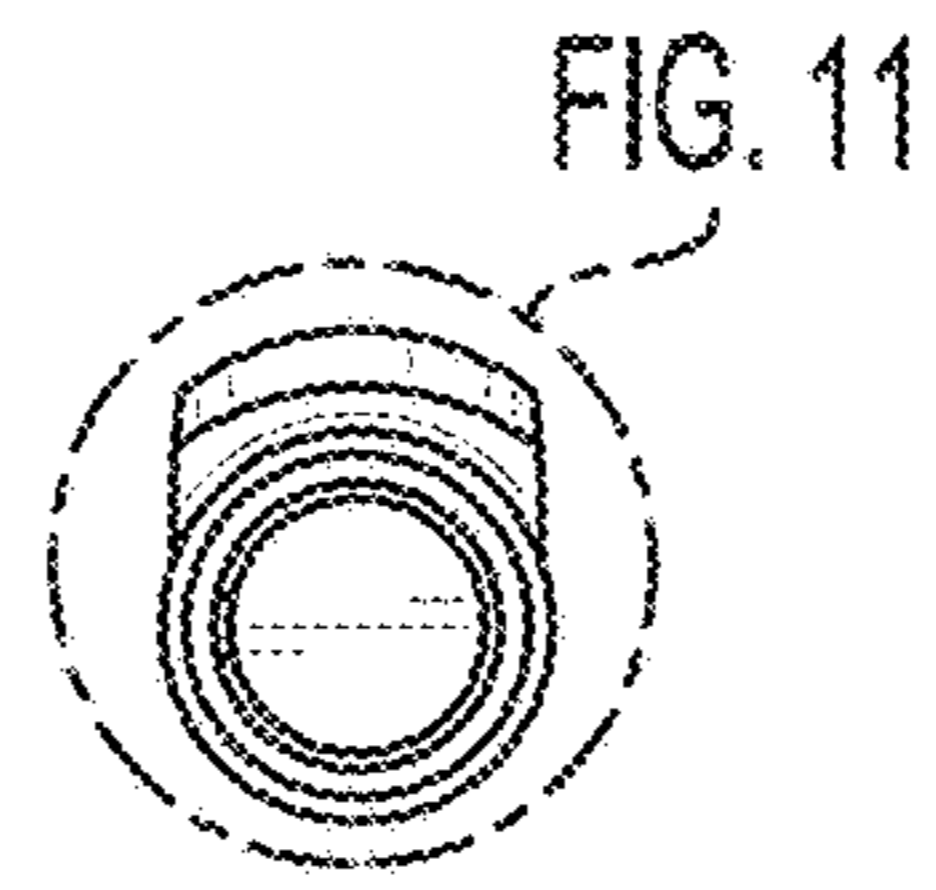


FIG. 10

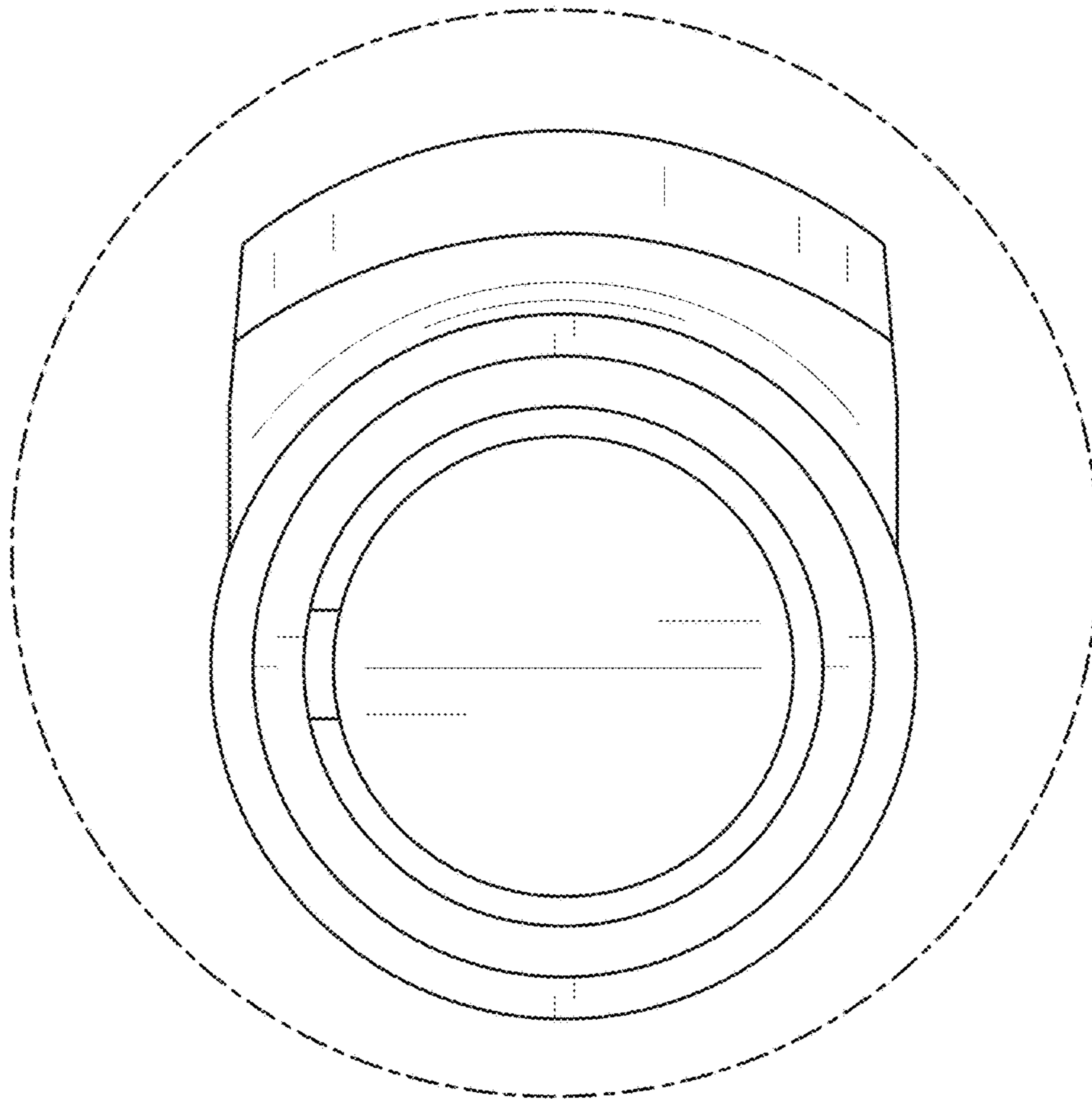


FIG. 11