



US00D786356S

(12) **United States Design Patent**
Canaday et al.

(10) **Patent No.:** **US D786,356 S**

(45) **Date of Patent:** **** May 9, 2017**

(54) **FINANCIAL TRANSACTION CARD**

(71) Applicant: **Home Depot Product Authority, LLC**,
Atlanta, GA (US)

(72) Inventors: **Jessica Canaday**, Smyrna, GA (US);
Nichole A. Flynn, Park Ridge, IL (US)

(73) Assignee: **Home Depot Product Authority, LLC**,
Atlanta, GA (US)

(**) Term: **15 Years**

(21) Appl. No.: **29/572,157**

(22) Filed: **Jul. 25, 2016**

Related U.S. Application Data

(62) Division of application No. 29/465,926, filed on Sep. 3, 2013, now Pat. No. Des. 765,175.

(51) **LOC (10) Cl.** **19-08**

(52) **U.S. Cl.**
USPC **D19/10**

(58) **Field of Classification Search**

USPC D19/1-12, 20-34, 100;
40/124.01-124.15, 672, 661, 726, 776,
40/617; 283/72, 74-75, 103, 105-107,
283/82, 70, 94, 81, 904; 206/449, 815;
D21/385; D20/10, 22, 27, 40, 42, 11;
D14/435-437; 360/2; D6/613, 583;
235/380, 382, 487, 493, 488
CPC .. B42D 15/022; B42D 15/042; B42D 15/045;
B42D 15/027; B42D 25/00; B42D 25/20;
B42D 25/23; B42D 25/26; B42D 25/29;
B42D 25/30; B42D 25/285; B42D
2033/00; B42D 2033/04; B42D 2033/08;

B42D 2033/10; B42D 2033/16; B42D
2033/18; B42D 2033/20; B42D 2033/22;
B42D 2033/28; B42D 2033/30

See application file for complete search history.

(56) **References Cited**

U.S. PATENT DOCUMENTS

D720,399 S *	12/2014	Ehrlich	D19/10
D726,816 S *	4/2015	Ehrlich	D19/9
D765,175 S *	8/2016	Canaday	D19/10
D766,367 S *	9/2016	Canaday	D19/9

* cited by examiner

Primary Examiner — Abraham Bahta

(74) *Attorney, Agent, or Firm* — Greenberg Traurig, LLP

(57) **CLAIM**

The ornamental design for a financial transaction card, as shown and described.

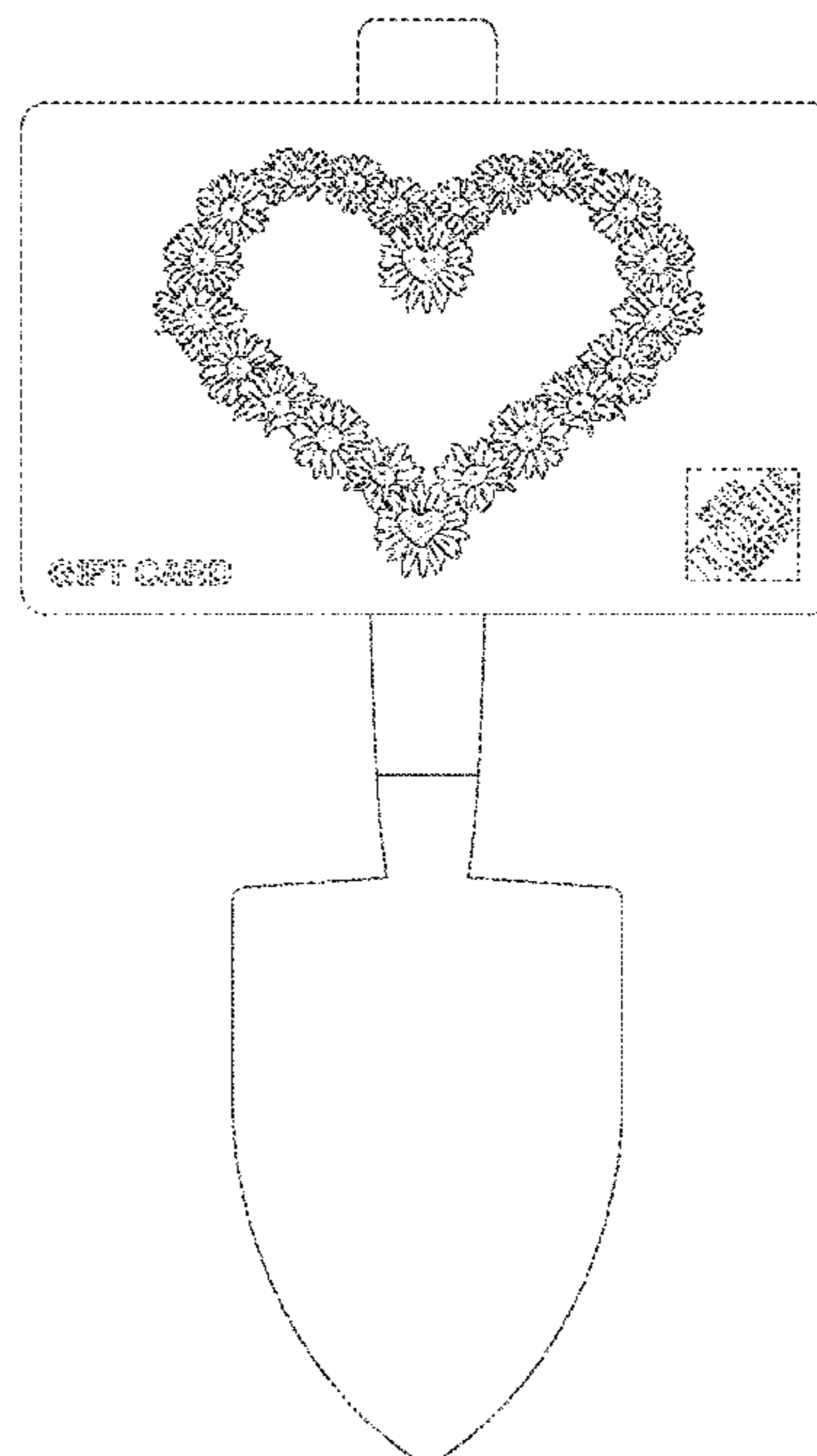
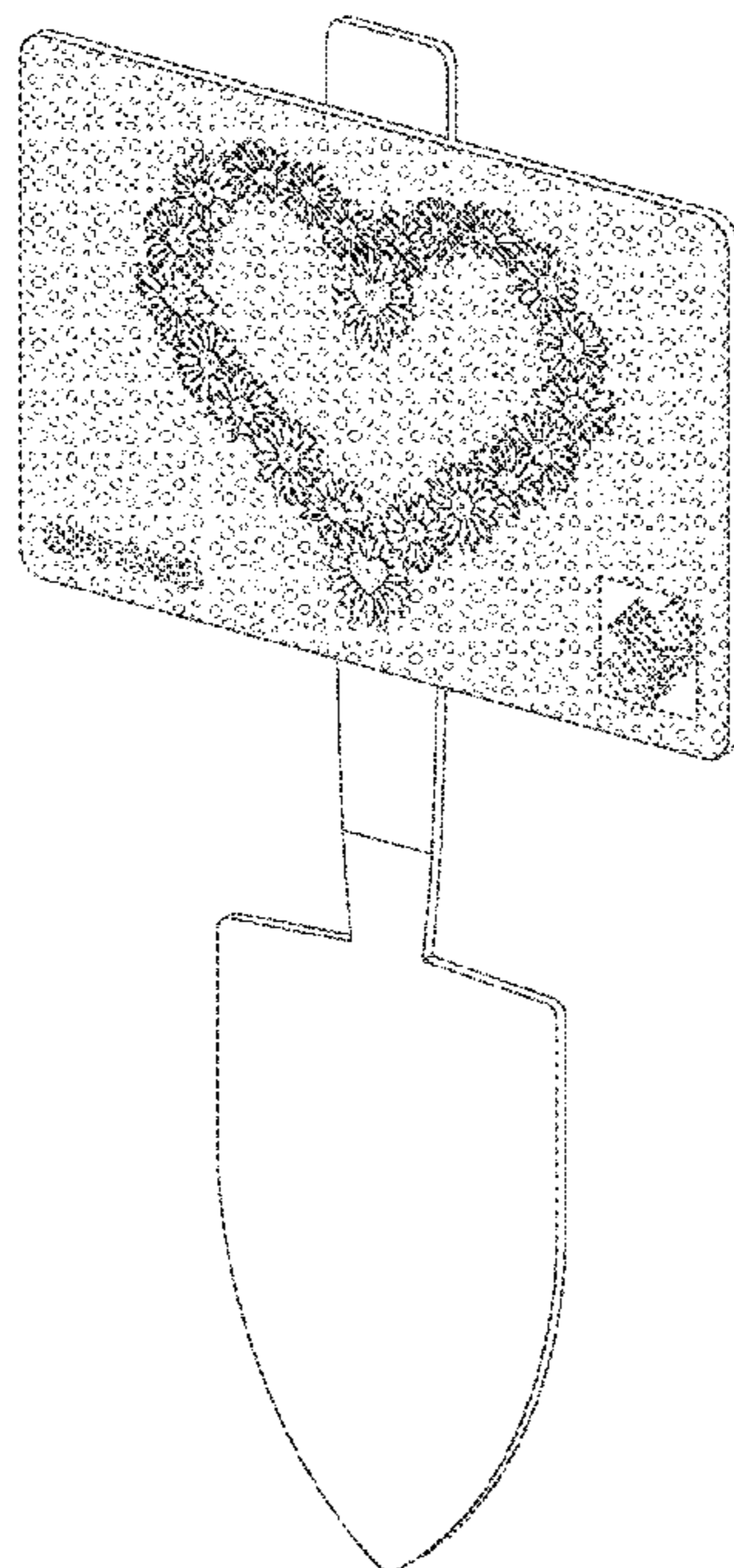
DESCRIPTION

FIG. 1 is a front view of a financial transaction card;
FIG. 2 is a perspective view of the financial transaction card
of FIG. 1;

FIG. 3 is a front view of a financial transaction card; and,
FIG. 4 is a perspective view of the financial transaction card
of FIG. 3.

The broken line showing of portions of the financial trans-
action card is included for the purpose of illustrating envi-
ronmental structure and forms no part of the claimed design.
All other surface(s) or portion(s) of the financial transaction
card, not shown in the figures or otherwise in the specifi-
cation form no part of the claimed design.

1 Claim, 4 Drawing Sheets



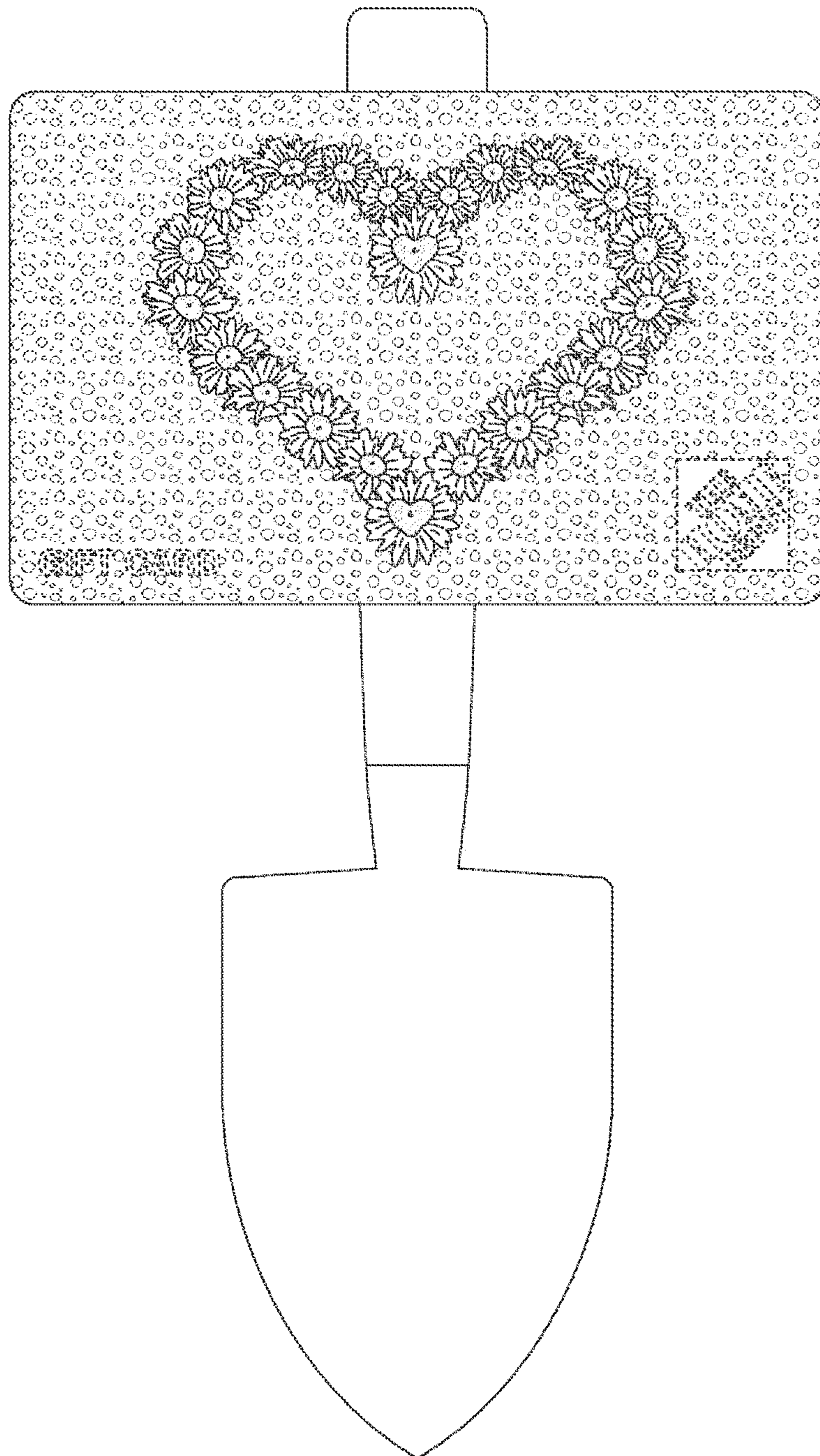


FIG. 1

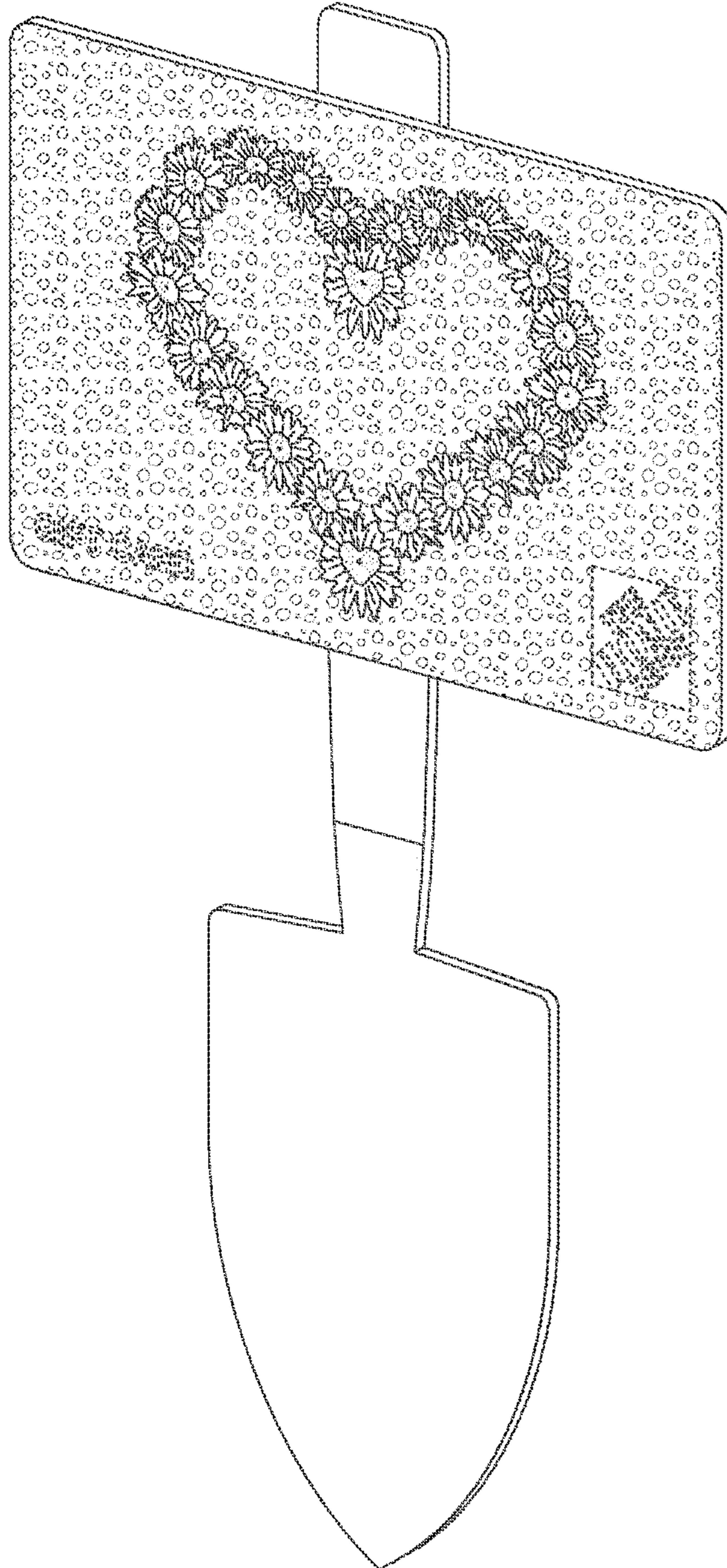


FIG. 2

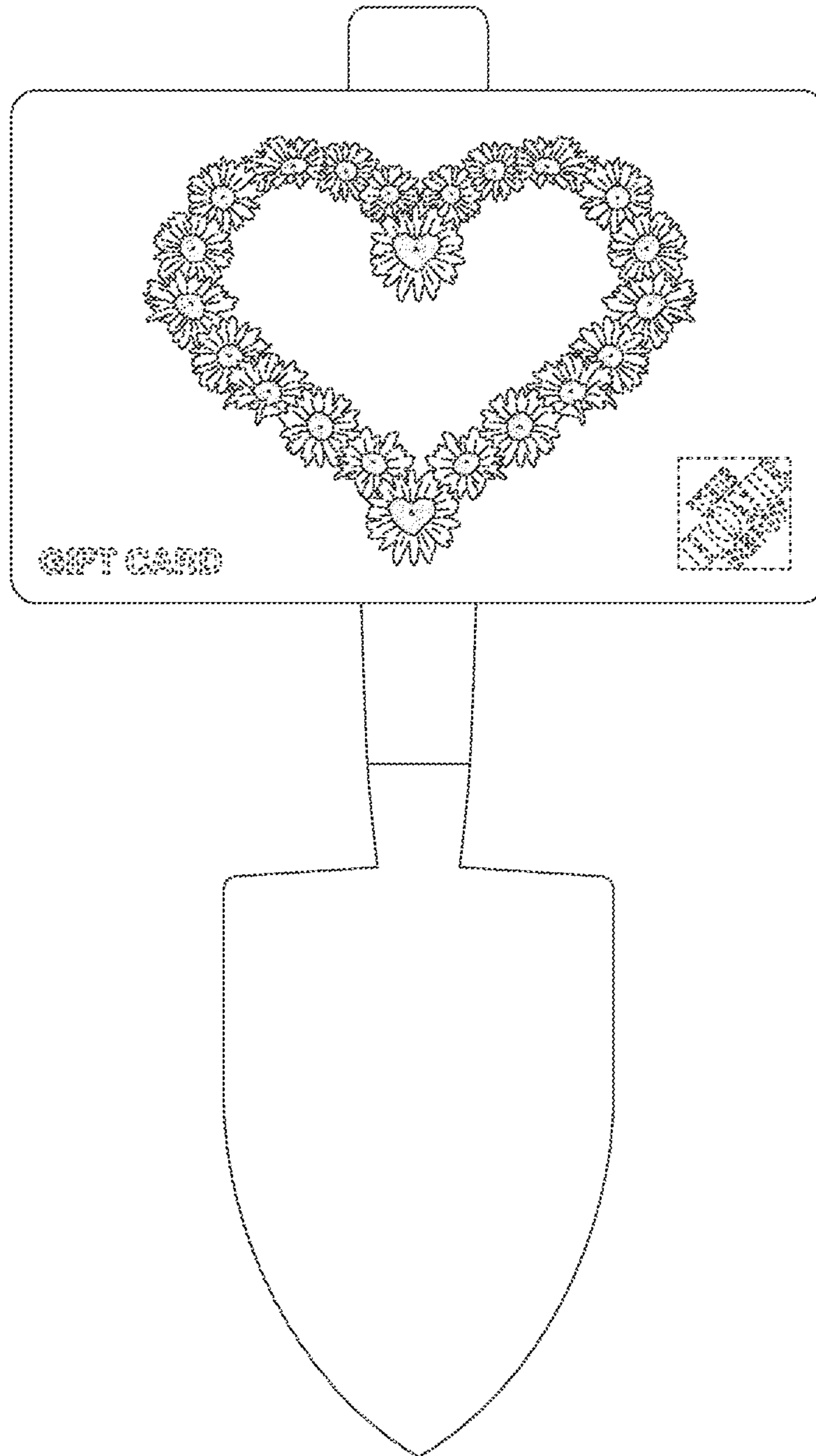


FIG. 3

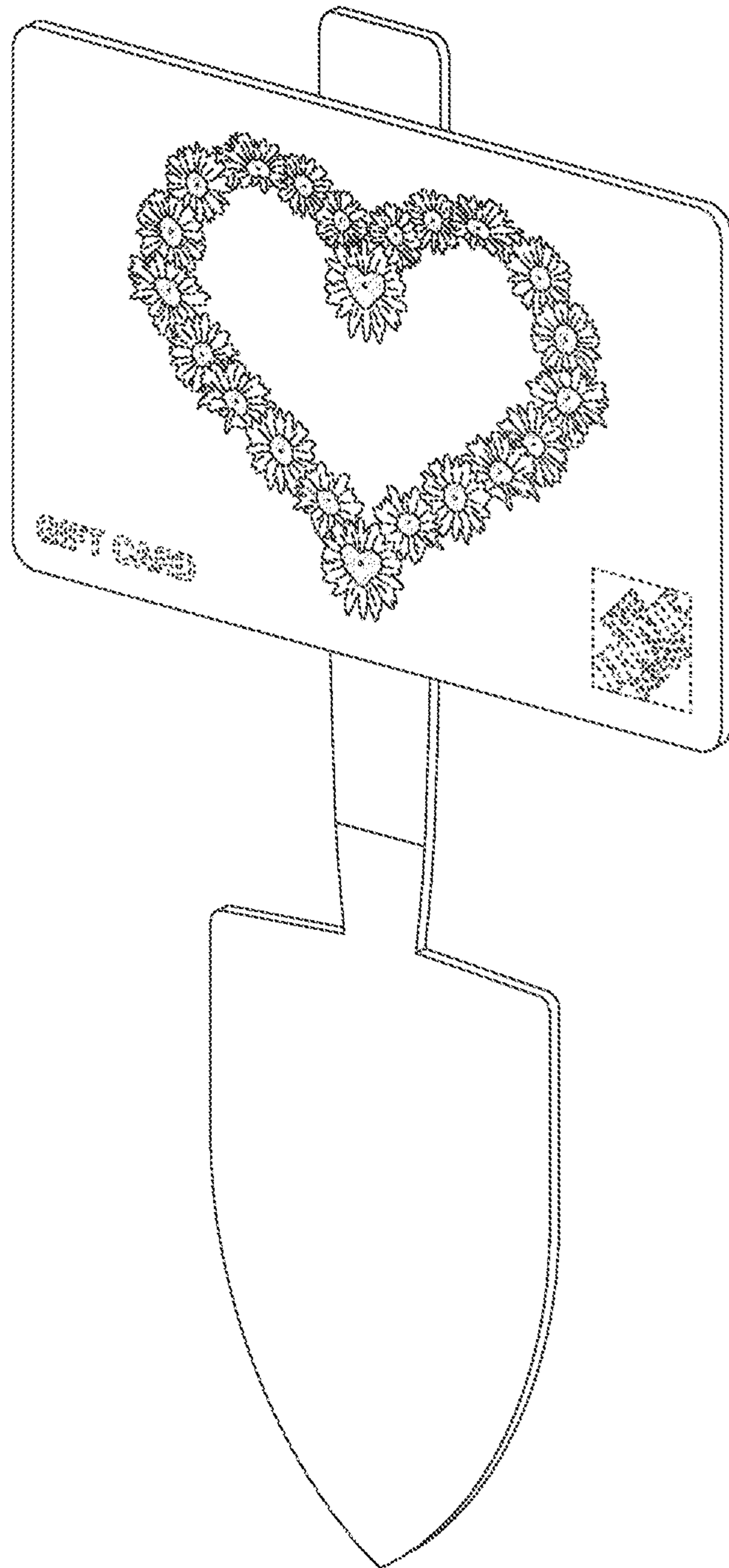


FIG. 4