



US00D786351S

(12) **United States Design Patent** (10) **Patent No.:** **US D786,351 S**
Nakai et al. (45) **Date of Patent:** **** *May 9, 2017**

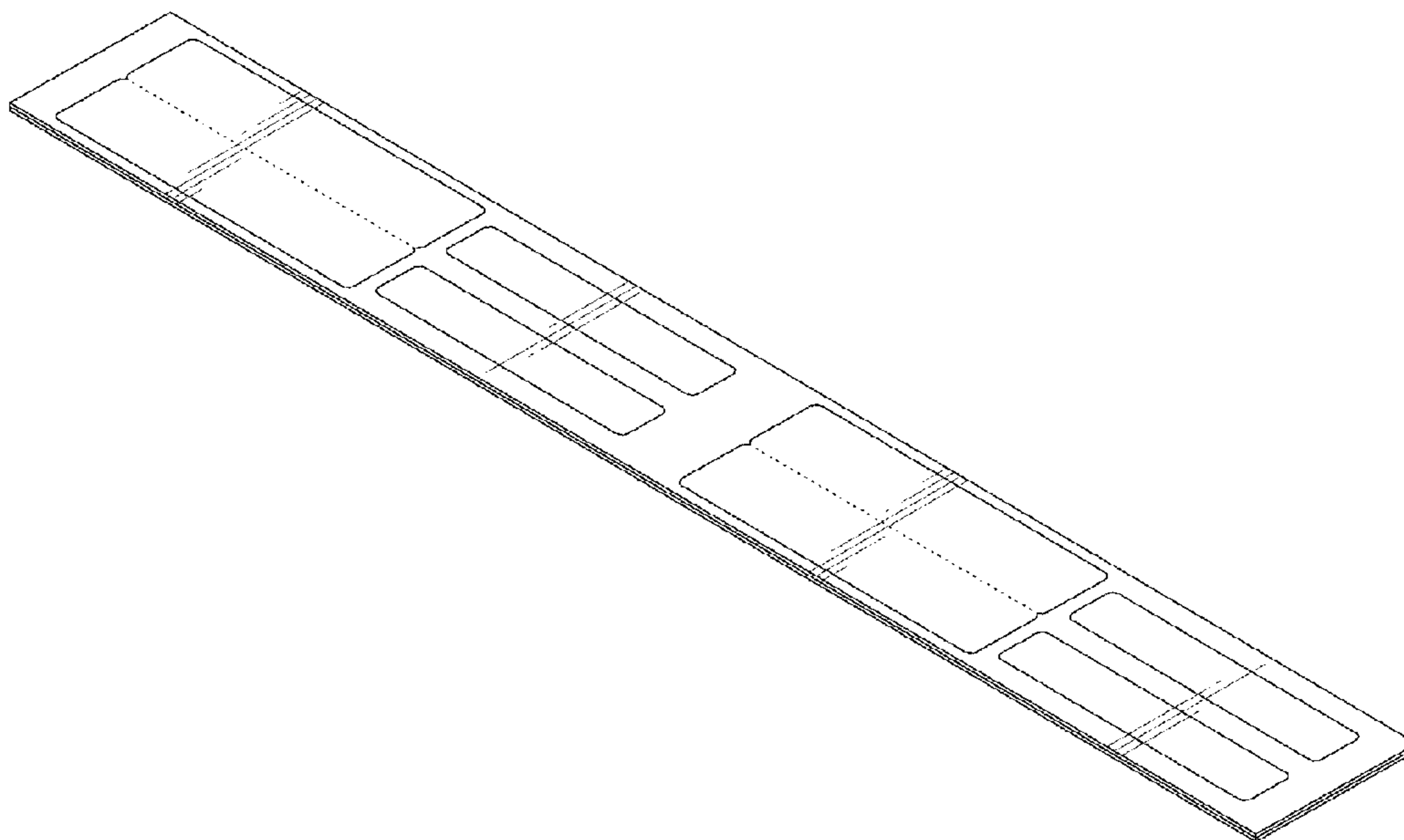
(54) **TAPE FOR TAPE PRINTING MACHINE**
(71) Applicant: **BROTHER INDUSTRIES, LTD.**,
Nagoya-shi, Aichi-ken (JP)
(72) Inventors: **Shimako Nakai**, Nagoya (JP); **Tsutomu Kato**, Nagoya (JP)
(73) Assignee: **BROTHER INDUSTRIES, LTD.**,
Nagoya (JP)
(*) Notice: This patent is subject to a terminal disclaimer.
(**) Term: **15 Years**
(21) Appl. No.: **29/553,199**
(22) Filed: **Jan. 29, 2016**
(30) **Foreign Application Priority Data**
Jul. 31, 2015 (JP) 2015-017039
(51) **LOC (10) Cl.** **19-01**
(52) **U.S. Cl.**
USPC **D19/1**
(58) **Field of Classification Search**
USPC D19/1-12, 20-34, 69, 67; D24/189;
D5/99; 33/494, 758, 755; 101/288;
40/638; 428/43, 42.3, 343, 40.1;
D20/22, 42; D18/52, 14, 54, 36-37;
400/56
CPC ... B41J 11/663; B41J 11/44; B41J 3/46; B41J
33/14; B41J 35/28; B42D 15/00; B42D
15/022; B42D 15/045; B42D 15/027;
B42D 15/042; B42D 25/00; B42D 25/20;
B42D 25/23; B42D 25/26; B42D 25/29;
B42D 25/30; B42D 25/285
See application file for complete search history.

(56) **References Cited**
U.S. PATENT DOCUMENTS
D572,156 S * 7/2008 Payne D10/71
D607,212 S * 1/2010 Lian D5/7
D741,406 S * 10/2015 Doucette D19/69
D742,965 S * 11/2015 Tippy D19/69
D759,754 S * 6/2016 Stevens D19/69
D772,979 S * 11/2016 Stevens D19/69
D775,688 S * 1/2017 Li D19/1
* cited by examiner
Primary Examiner — Abraham Bahta
(74) *Attorney, Agent, or Firm* — Oliff PLC

(57) **CLAIM**
The ornamental design for a tape for tape printing machine, as shown and described.

DESCRIPTION
FIG. 1 is a perspective view of a tape for tape printing machine;
FIG. 2 is a front view thereof;
FIG. 3 is a top view thereof;
FIG. 4 is a left-side view thereof;
FIG. 5 is a right-side view thereof;
FIG. 6 is a rear view thereof;
FIG. 7 is a bottom view thereof;
FIG. 8 is a cross-sectional view taken along a line 8-8 in FIG. 3; and,
FIG. 9 is a cross-sectional view taken along a line 9-9 in FIG. 3.
The broken lines depict environmental subject matter only and form no part of the claimed design.

1 Claim, 3 Drawing Sheets



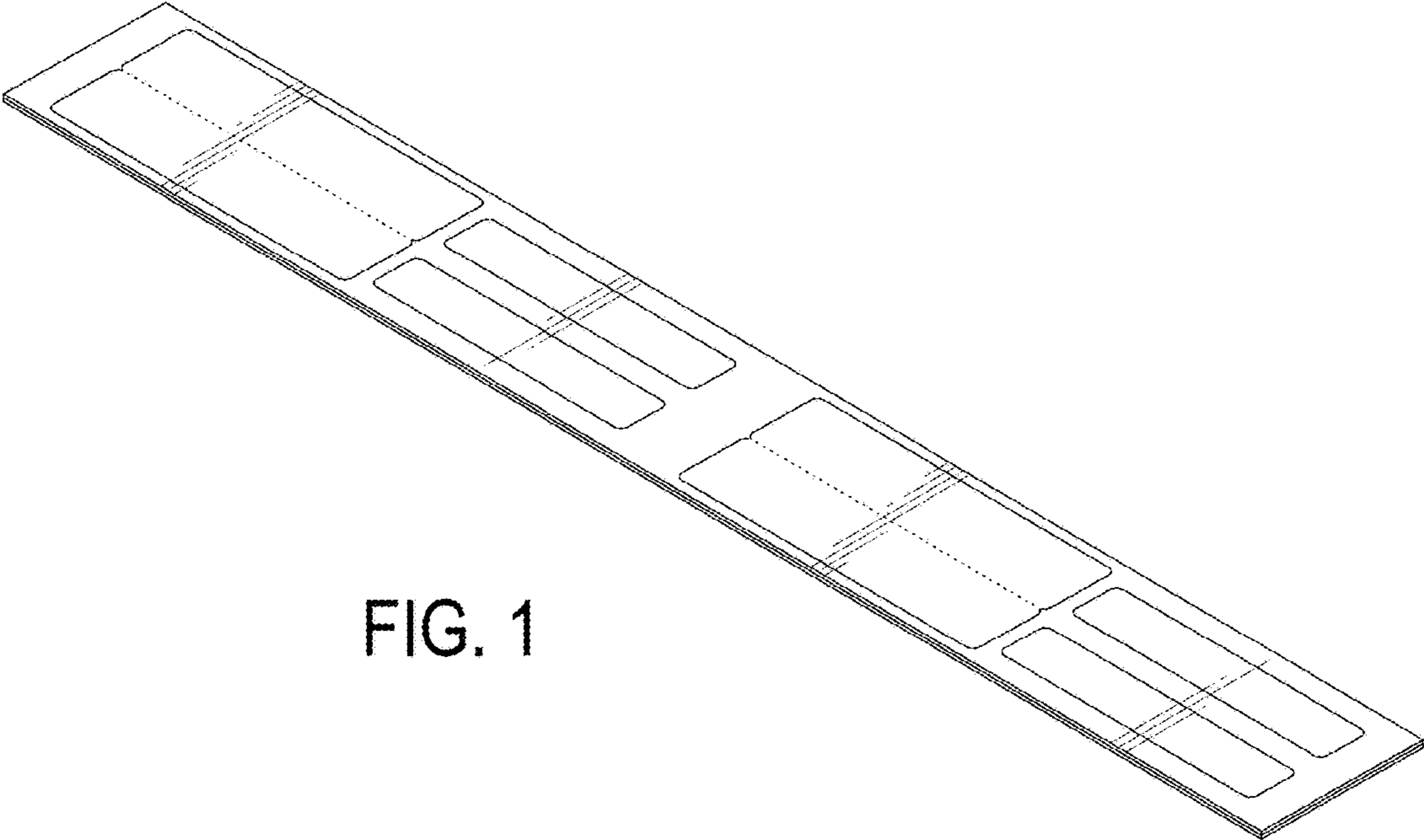


FIG. 1

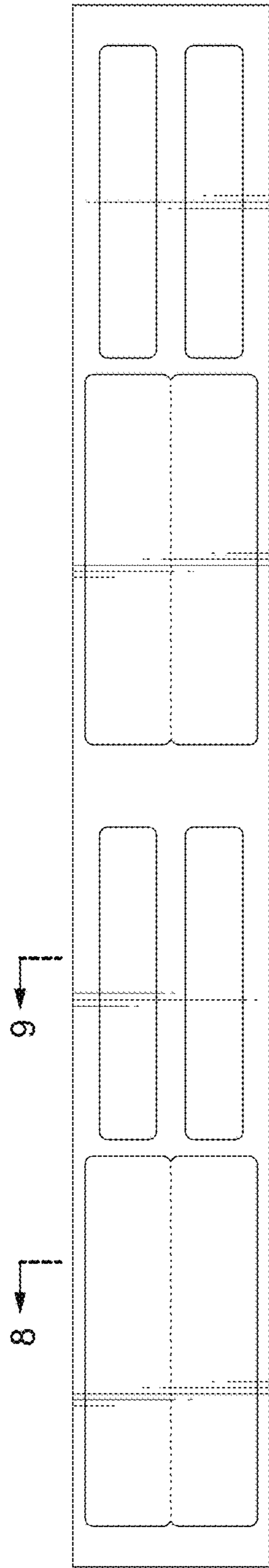


FIG. 3



FIG. 2



FIG. 4



FIG. 5

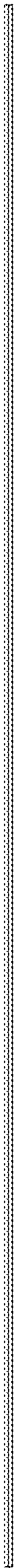


FIG. 6

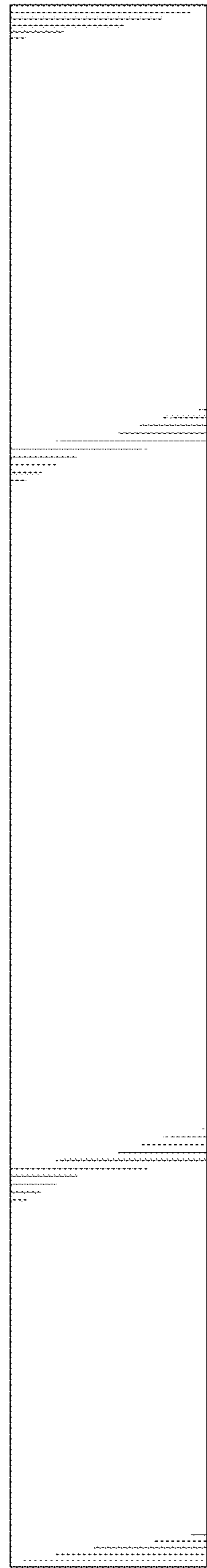


FIG. 7

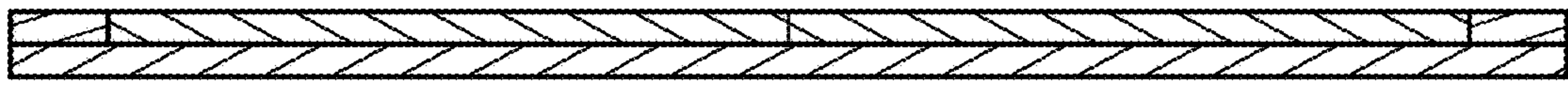


FIG. 8



FIG. 9