



US00D786347S

(12) **United States Design Patent**
Okazaki

(10) **Patent No.:** **US D786,347 S**

(45) **Date of Patent:** **** *May 9, 2017**

(54) **INK CARTRIDGE**

(71) Applicant: **BROTHER INDUSTRIES, LTD.**,
Nagoya-shi, Aichi-ken (JP)

(72) Inventor: **Naoya Okazaki**, Hashima-gun (JP)

(73) Assignee: **BROTHER INDUSTRIES, LTD.**,
Nagoya (JP)

(*) Notice: This patent is subject to a terminal disclaimer.

(**) Term: **15 Years**

(21) Appl. No.: **29/556,680**

(22) Filed: **Mar. 2, 2016**

(30) **Foreign Application Priority Data**

Sep. 2, 2015 (JP) 2015-19440

(51) **LOC (10) Cl.** **18-02**

(52) **U.S. Cl.**
USPC **D18/56**

(58) **Field of Classification Search**
USPC D18/12, 18, 40, 43, 44, 56, 99; D14/484
CPC . B41J 15/044; B41J 32/00; B41J 17/32; B41J
33/52; B41J 33/56; B41J 35/36; G11B
23/08757

See application file for complete search history.

(56) **References Cited**

U.S. PATENT DOCUMENTS

D423,564 S	4/2000	Canfield et al.	
D465,516 S	11/2002	Shinada et al.	
D466,151 S	11/2002	Shinada et al.	
D501,504 S *	2/2005	Yamada	347/86
D509,531 S *	9/2005	Geserich	D18/12
D530,365 S *	10/2006	Wakayama	347/86
D538,335 S *	3/2007	Chang	D18/56

D538,337 S	3/2007	Hattori et al.
D540,857 S	4/2007	Hattori
D541,334 S	4/2007	Hattori et al.
D541,337 S	4/2007	Hattori
D541,851 S	5/2007	Hattori et al.
D541,852 S	5/2007	Hattori et al.
D542,341 S	5/2007	Hattori et al.
D542,342 S	5/2007	Hattori et al.
D542,343 S	5/2007	Hattori et al.
D542,839 S	5/2007	Hattori et al.
D543,234 S	5/2007	Hattori et al.
D543,235 S	5/2007	Hattori et al.

(Continued)

FOREIGN PATENT DOCUMENTS

JP	1447624 S	10/2013
JP	1456004 S	10/2013
JP	1463223 S	10/2013

Primary Examiner — Manpreet Matharu

Assistant Examiner — Suzanne Tisdell

(74) *Attorney, Agent, or Firm* — Oliff PLC

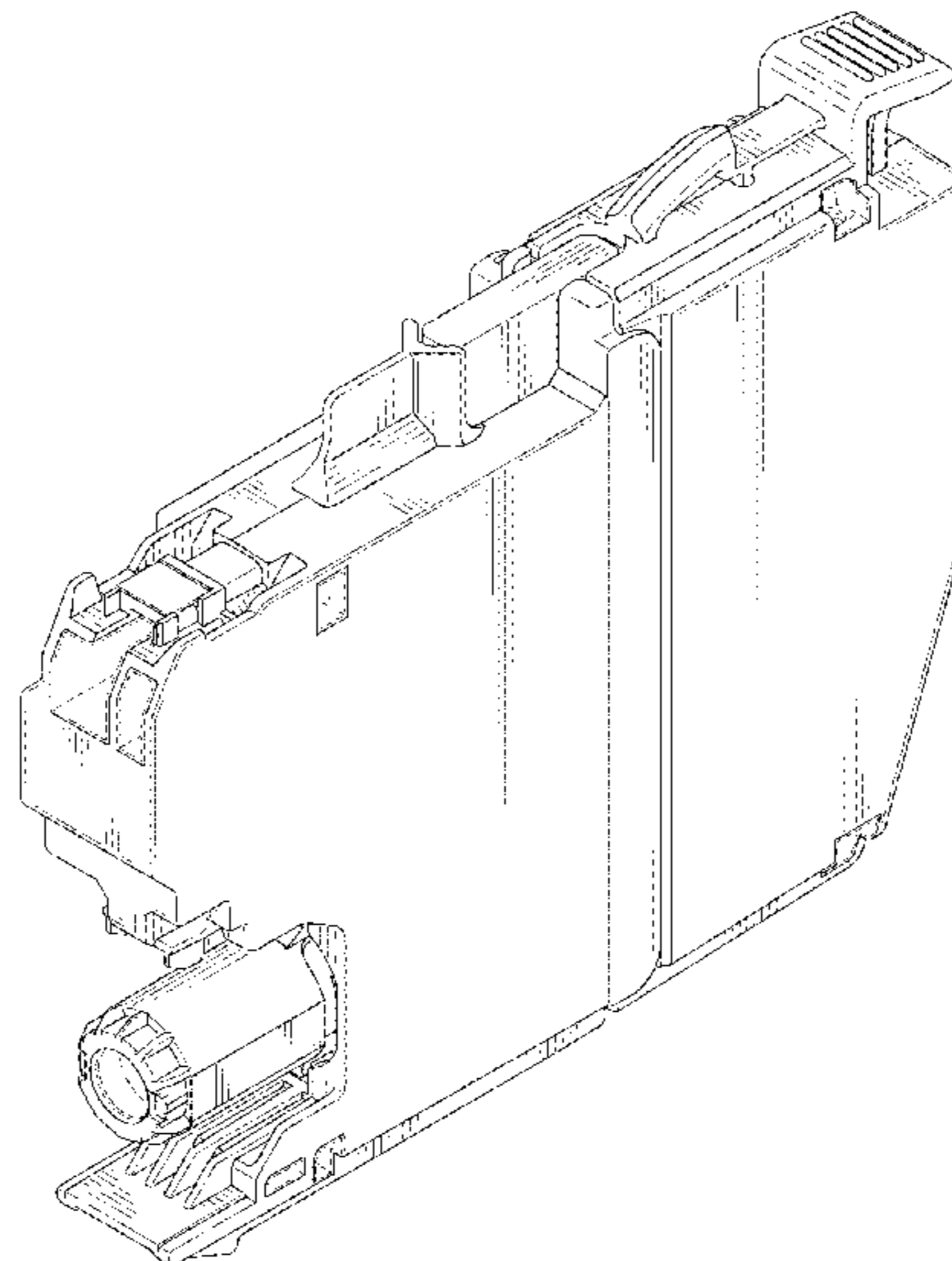
(57) **CLAIM**

The ornamental design for an ink cartridge, as shown and described.

DESCRIPTION

FIG. 1 is a front, top, left-side perspective view of an ink cartridge;
FIG. 2 is a front view thereof;
FIG. 3 is a top view thereof;
FIG. 4 is a right-side view thereof;
FIG. 5 is a left-side view thereof;
FIG. 6 is a rear view thereof;
FIG. 7 is a bottom view thereof;
FIG. 8 is a rear, top, right-side perspective view thereof; and,
FIG. 9 is a front, bottom, left-side perspective view thereof.
The broken lines depict environmental subject matter only and form no part of the claimed design.

1 Claim, 8 Drawing Sheets



(56)

References Cited

U.S. PATENT DOCUMENTS

D543,236 S 5/2007 Hattori
 D547,370 S 7/2007 Hattori et al.
 D547,797 S 7/2007 Hattori et al.
 D549,280 S * 8/2007 Morino 347/86
 D557,335 S 12/2007 Morino
 D570,408 S 6/2008 Morino
 D570,905 S * 6/2008 Yuen 347/86
 D597,595 S * 8/2009 Nip D18/56
 D599,399 S 9/2009 Hattori
 D602,076 S * 10/2009 Saikawa D18/56
 D603,895 S * 11/2009 Hattori D18/56
 D627,818 S * 11/2010 Ishizawa 347/86
 D641,400 S 7/2011 Hattori
 D647,134 S 10/2011 Hattori
 D648,779 S * 11/2011 Saito D18/43
 D654,112 S 2/2012 Kanbe et al.
 D656,985 S 4/2012 Kanbe et al.
 D656,986 S 4/2012 Kanbe et al.
 D656,987 S 4/2012 Kanbe et al.

D659,188 S 5/2012 Kanbe et al.
 D677,721 S * 3/2013 Kawate D18/56
 D680,165 S 4/2013 Takagi et al.
 D681,728 S * 5/2013 Takagi 347/86
 D682,929 S * 5/2013 Aoki D18/56
 D692,052 S * 10/2013 Ishizawa D18/56
 D721,132 S 1/2015 Kobayashi
 D741,403 S * 10/2015 O'Reilly D18/56
 D759,154 S * 6/2016 Williamson D18/43
 D761,353 S * 7/2016 Oya D18/56
 D762,260 S * 7/2016 Oya D18/56
 D762,261 S * 7/2016 Takagiwa D18/56
 D767,672 S * 9/2016 Nanjo D18/56
 D767,673 S * 9/2016 Nanjo D18/56
 D767,674 S * 9/2016 Nanjo D18/56
 2007/0212151 A1 * 9/2007 Innocenti B41J 3/4075
 400/244
 2008/0151425 A1 * 6/2008 Vanderheyden . G11B 23/08728
 360/132
 2008/0213023 A1 * 9/2008 Koizumi B41M 5/38221
 400/208

* cited by examiner

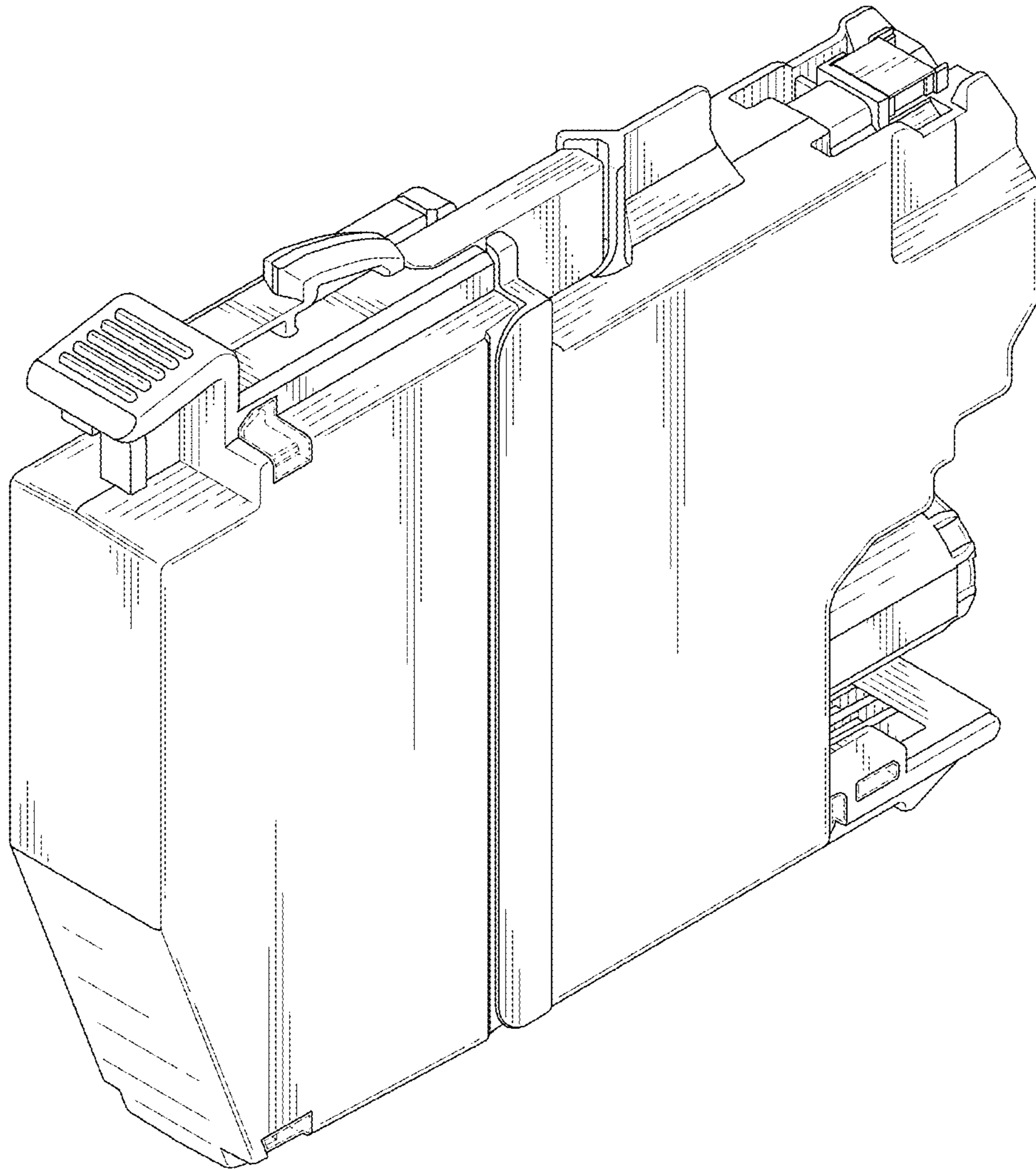


FIG. 1

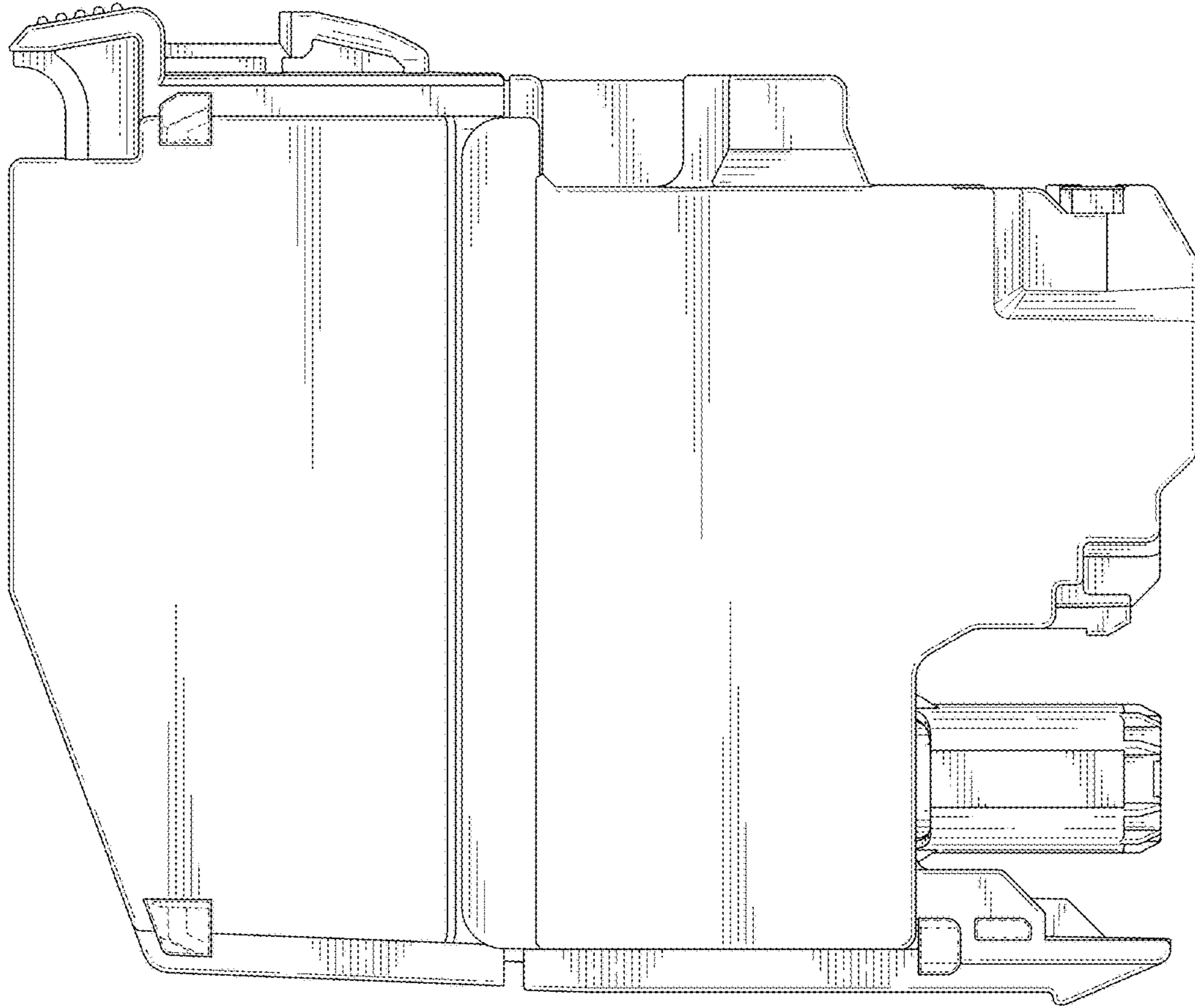


FIG. 2

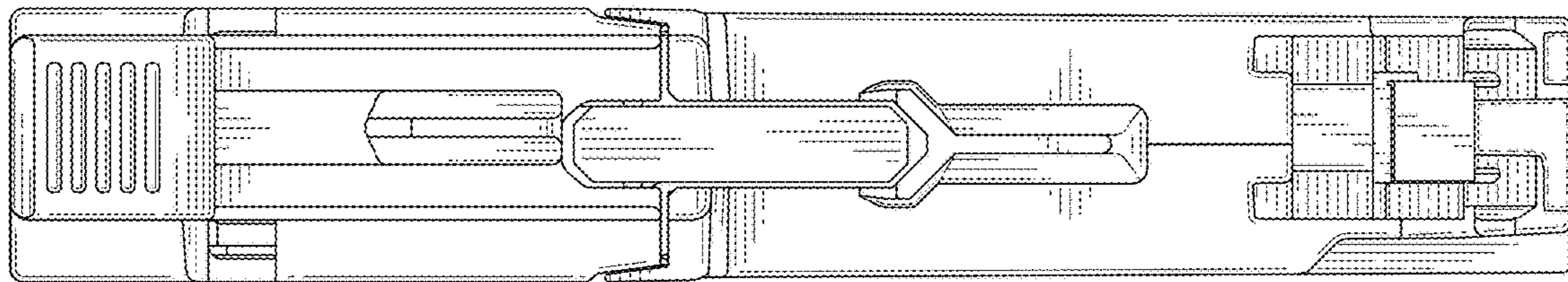


FIG. 3

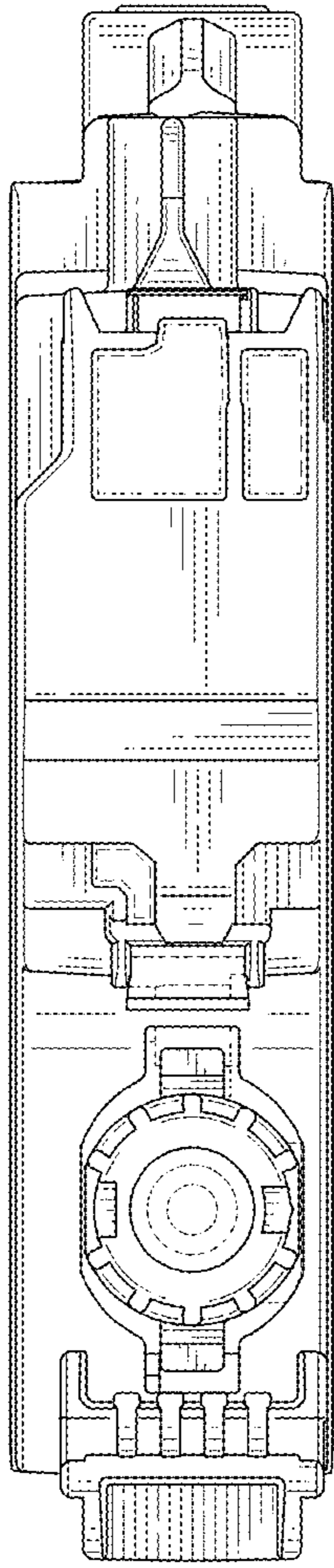


FIG. 4

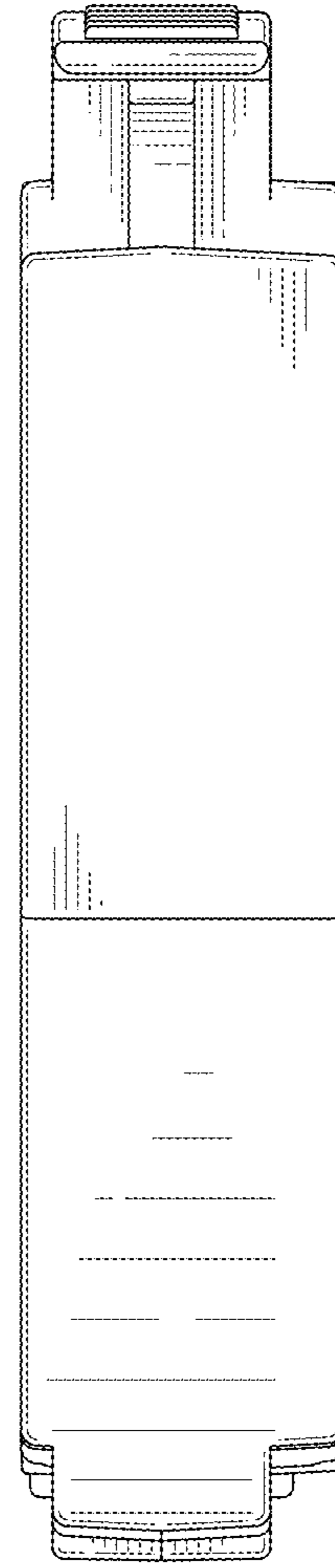


FIG. 5

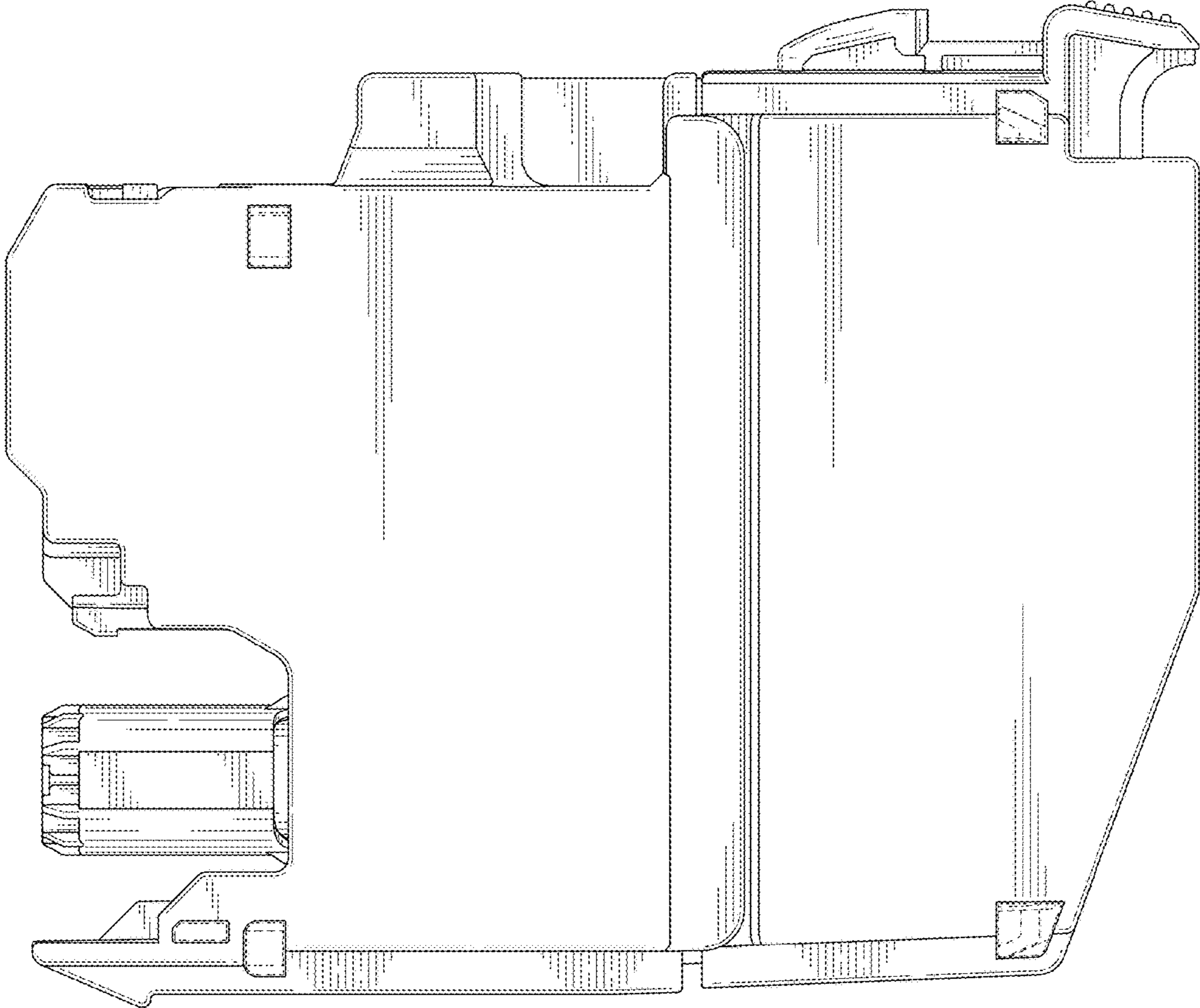


FIG. 6

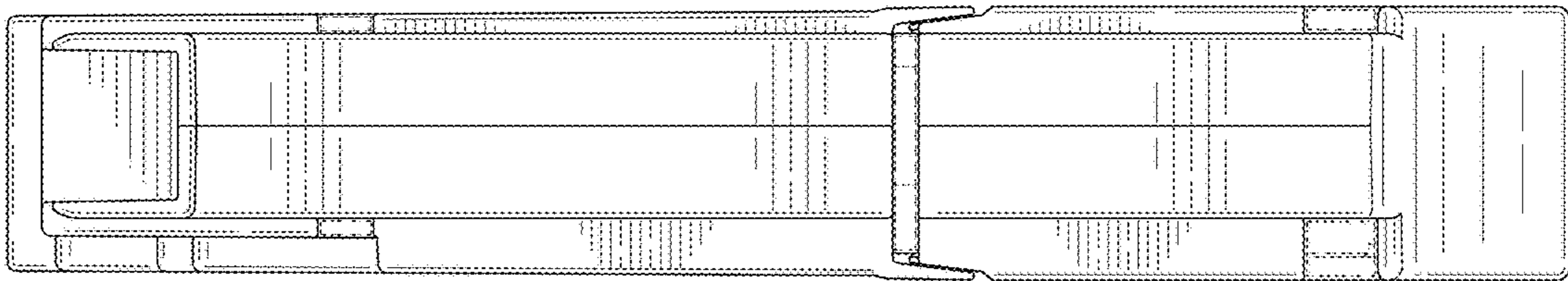


FIG. 7

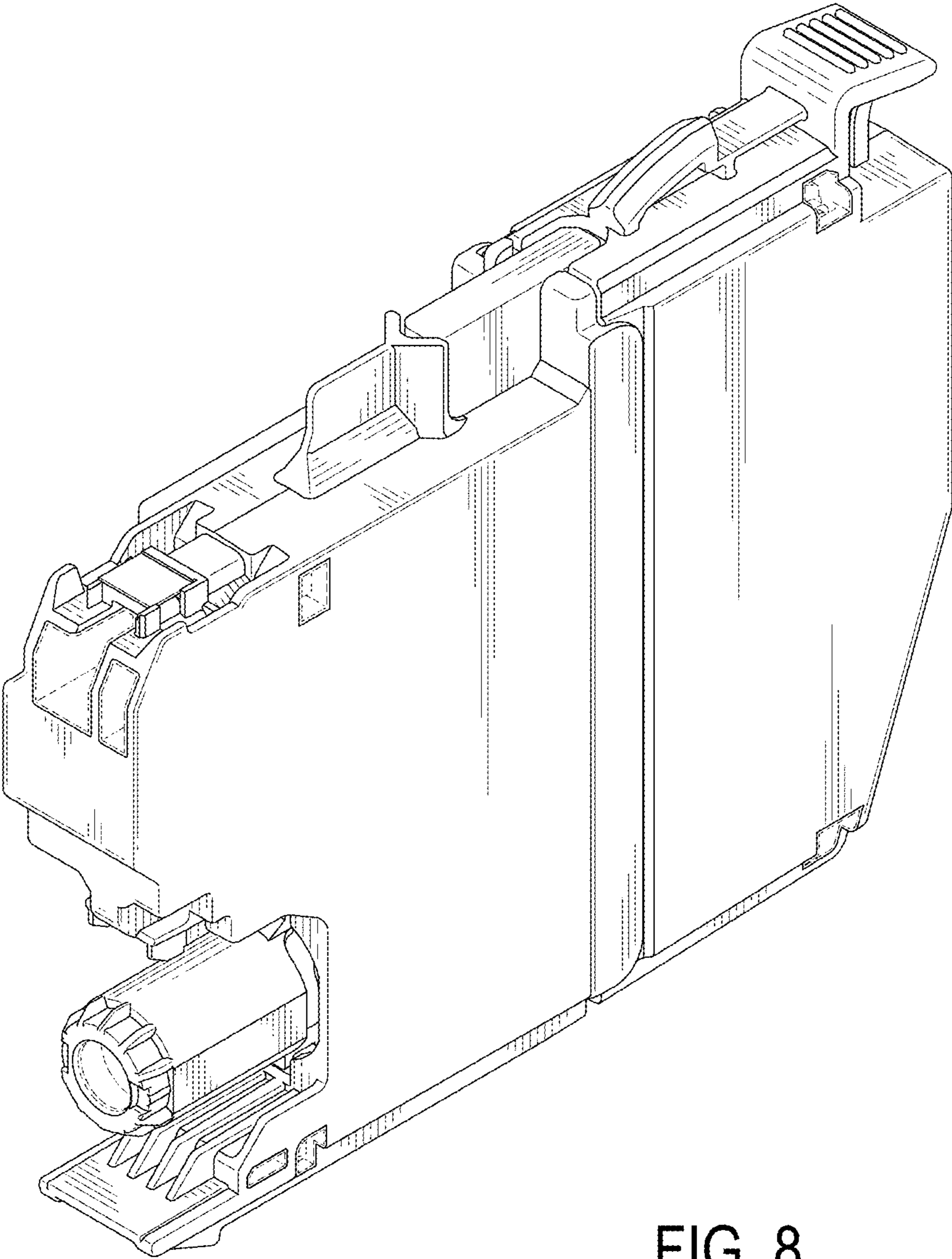


FIG. 8

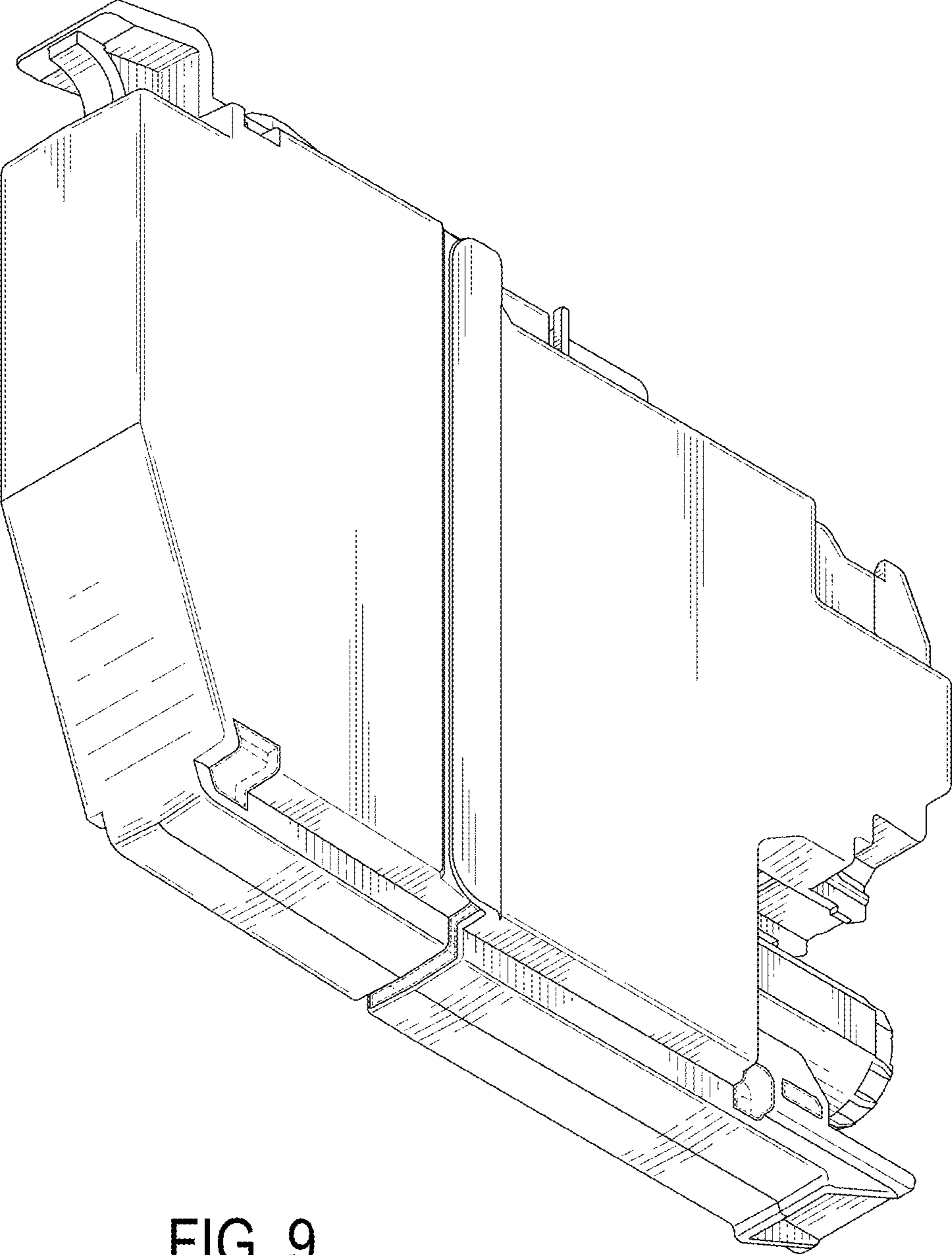


FIG. 9