



US00D786345S

(12) **United States Design Patent** (10) **Patent No.:** **US D786,345 S**
Kimura et al. (45) **Date of Patent:** **** May 9, 2017**

(54) **INK TANK CAP**

(56) **References Cited**

(71) Applicant: **SEIKO EPSON CORPORATION**,
Tokyo (JP)

U.S. PATENT DOCUMENTS

(72) Inventors: **Naomi Kimura**, Okaya (JP); **Shoma Kudo**, Shiojiri (JP); **Koji Nishimaki**,
Matsumoto (JP); **Yoshiyuki Tanaka**,
Matsumoto (JP); **Shoichi Ishizawa**,
Nagano (JP); **Makoto Omuro**,
Matsumoto (JP); **Koji Kawai**, Shiojiri
(JP)

D206,294	S	*	11/1966	Paris	D9/436
D350,268	S	*	9/1994	Grimm	D8/70
D411,106	S	*	6/1999	Conrad	D9/436
D682,017	S	*	5/2013	Smiedt	D7/392.1
D710,673	S	*	8/2014	Boo	G05G 1/10 D8/311

(Continued)

(73) Assignee: **SEIKO EPSON CORPORATION**,
Tokyo (JP)

OTHER PUBLICATIONS

(**) Term: **15 Years**

Epson EcoTank Workforce ET-4550 Printer, [online], [site visited Feb. 8, 2017]. Available from Internet, <URL: <http://www.photoreview.com.au/reviews/printers/epson-ecotank-workforce-et-4550-printer>>.*

(21) Appl. No.: **29/543,196**

(Continued)

(22) Filed: **Oct. 21, 2015**

Primary Examiner — Caron D Veynar
Assistant Examiner — Katrina Gonzalez

(30) **Foreign Application Priority Data**

(57) **CLAIM**

Apr. 24, 2015 (JP) 2015-009276

The ornamental design for an ink tank cap, as shown and described.

(51) **LOC (10) Cl.** **18-02**

DESCRIPTION

(52) **U.S. Cl.**

USPC **D18/56**

(58) **Field of Classification Search**

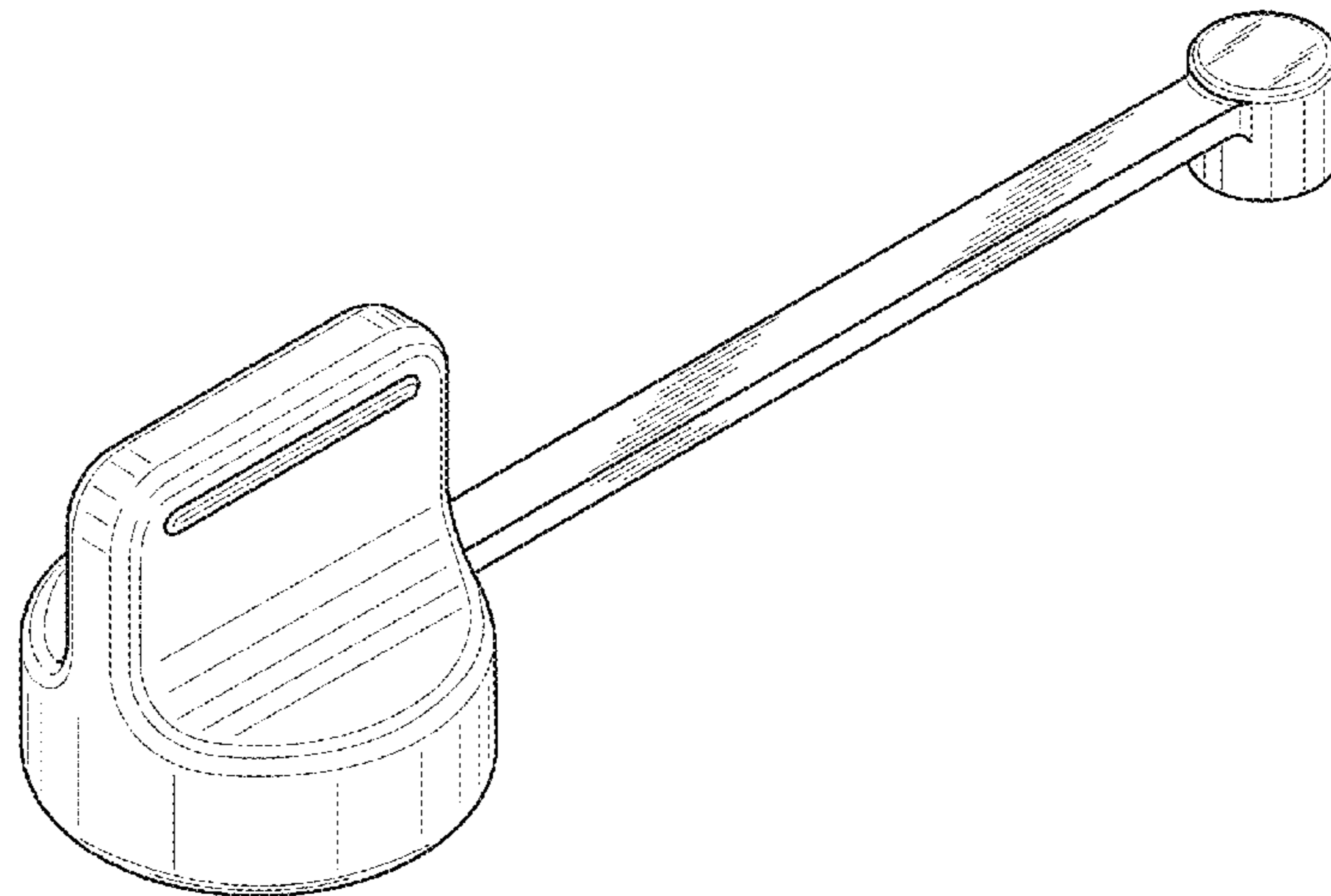
USPC D18/12, 14, 18, 19, 36, 37, 38, 39, 43,
D18/50, 54, 54.1, 55, 56, 99; D14/420,
D14/421, 422, 423, 424, 425, 462, 463,
D14/464, 465, 466, 467, 668, 469, 470,
D14/480.5, 483, 484; D8/300, 302, 306,
D8/307, 325; D9/434, 435, 446
CPC . B41J 31/16; B41J 32/02; B41J 19/202; B41J
29/377; B41J 15/042; B41J 17/32; B41J
11/007; B41J 2/0057; B41J 2/17513;
B41J 2/16508; B41J 2/17566; B41J
2/175; B41J 2/0458; B41J 29/08; B41J
29/02; B41J 17/00; B41J 11/58; B41J
3/4075; C09D 11/40

FIG. 1 is a front, top, and right side perspective view of an ink tank cap showing our new design;
FIG. 2 is a rear, bottom, and left side perspective view thereof;
FIG. 3 is a front view thereof;
FIG. 4 is a rear view thereof;
FIG. 5 is a top plan view thereof;
FIG. 6 is a bottom plan view thereof;
FIG. 7 is a right side view thereof; and,
FIG. 8 is a left side view thereof.

The features shown in broken lines in the drawings depict environmental subject matter only and form no part of the claimed design.

See application file for complete search history.

1 Claim, 8 Drawing Sheets



(56)

References Cited

U.S. PATENT DOCUMENTS

D714,142 S * 9/2014 Hojo D9/436
D753,998 S * 4/2016 Murphey D9/446
D766,697 S * 9/2016 Vergin D8/311
D766,699 S * 9/2016 Vergin D8/311
9,493,283 B2 * 11/2016 Tuyn B65D 55/16
D773,917 S * 12/2016 Shoemaker D8/311
D776,533 S * 1/2017 Kikel D9/446
2009/0134112 A1 * 5/2009 Reeves B65D 55/16
215/11.6
2016/0263901 A1 * 9/2016 Kudo B41J 2/1752
2016/0264306 A1 * 9/2016 Nishimaki B41J 2/1752

OTHER PUBLICATIONS

Ansul C $\frac{1}{2}$ Nozzle Cap 50/PK (415108 EA), [online], [site visited Feb. 15, 2017]. Available from Internet, <URL:<http://www.landjfire.com/c1-2-nozzle-cap-50-pk-415108-ea.html>>.*

Mopar 52124512AA Fuel Tank Cap, [online], [site visited Feb. 15, 2017]. Available from Internet, <URL:<https://www.amazon.com/Mopar-52124512AA-Fuel-Tank-Cap/dp/B0049ELS54>>.*

* cited by examiner

FIG. 1

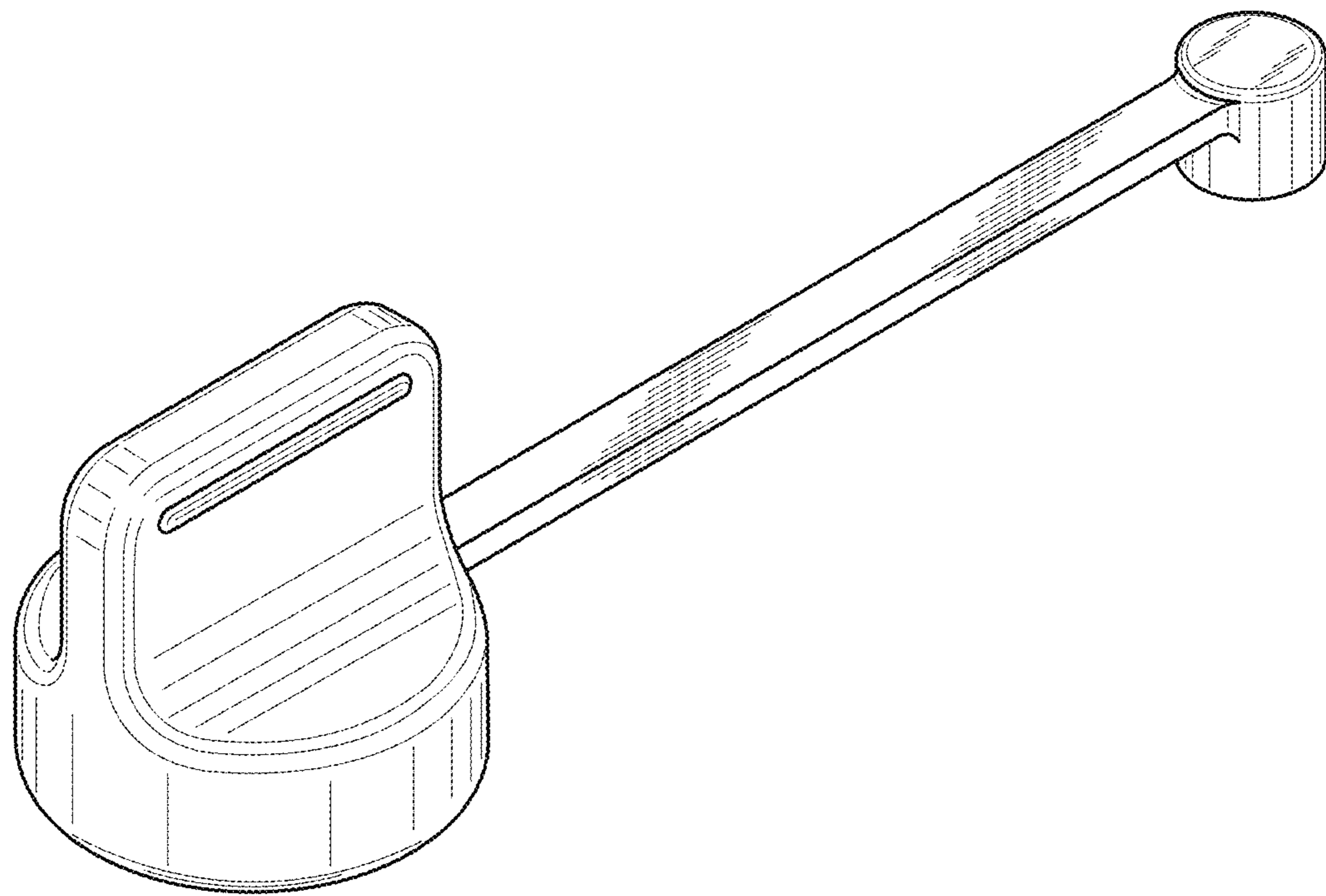


FIG. 2

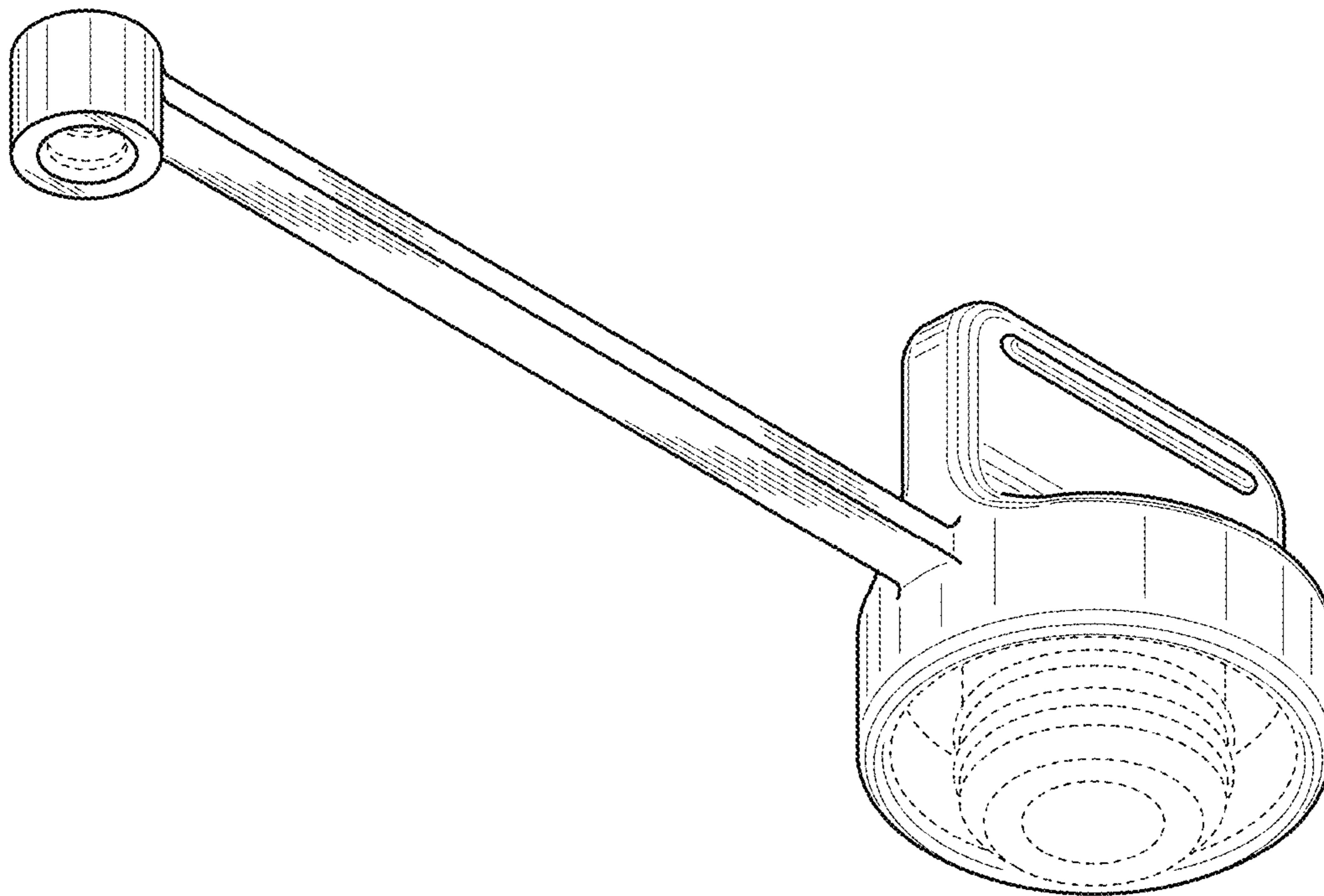


FIG. 3

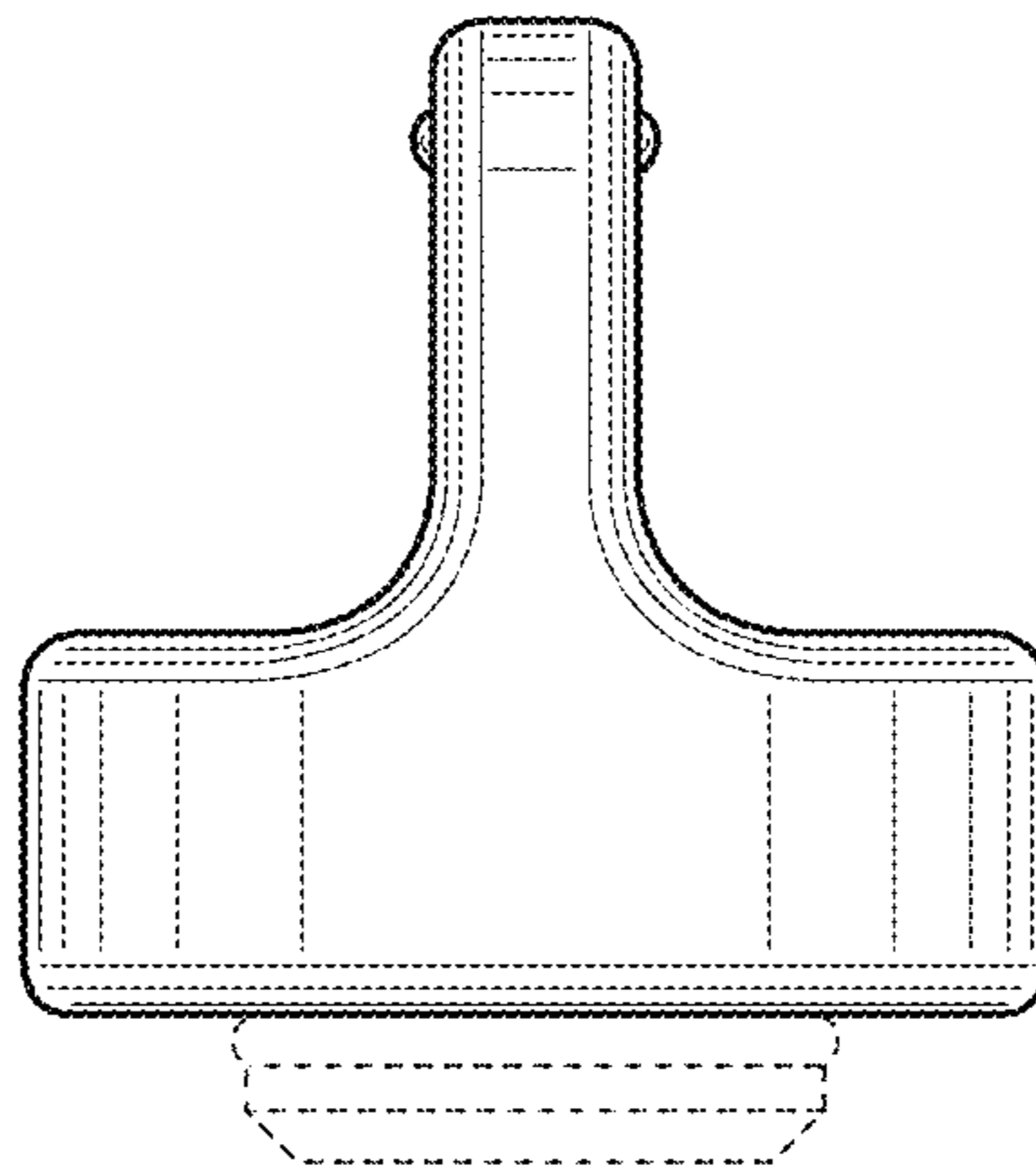


FIG. 4

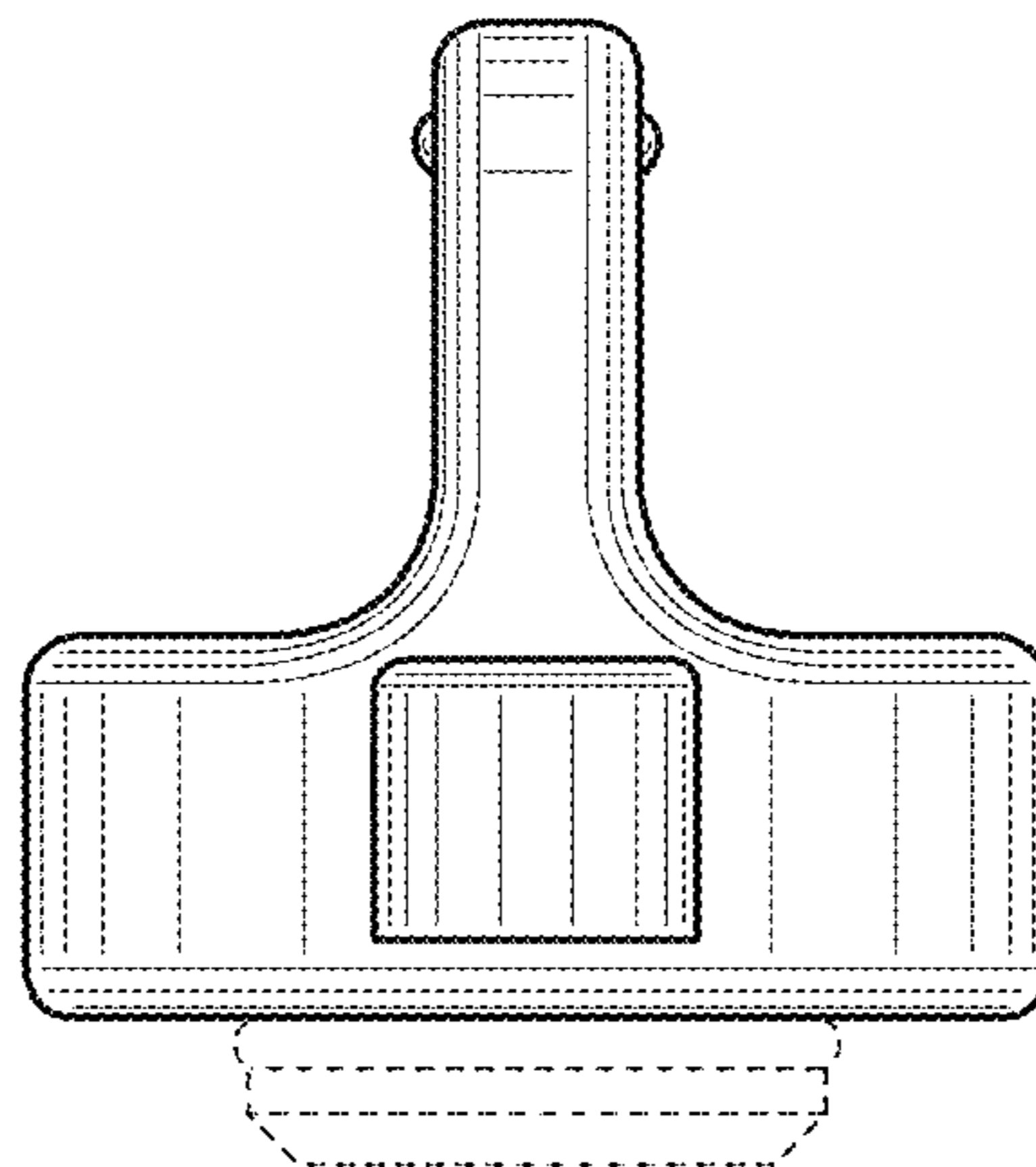


FIG. 5

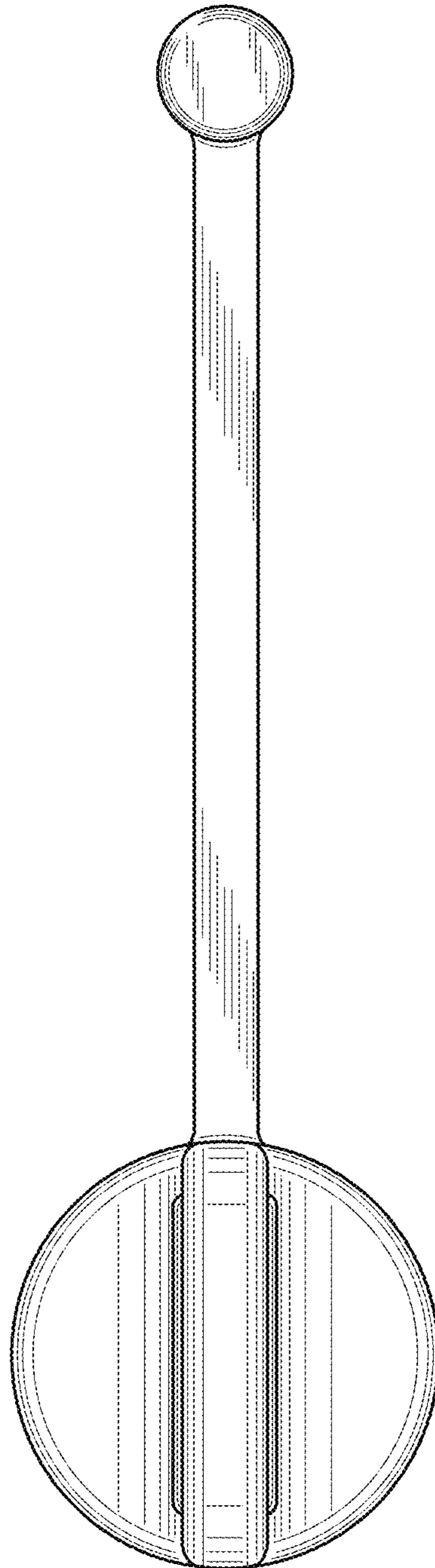


FIG. 6

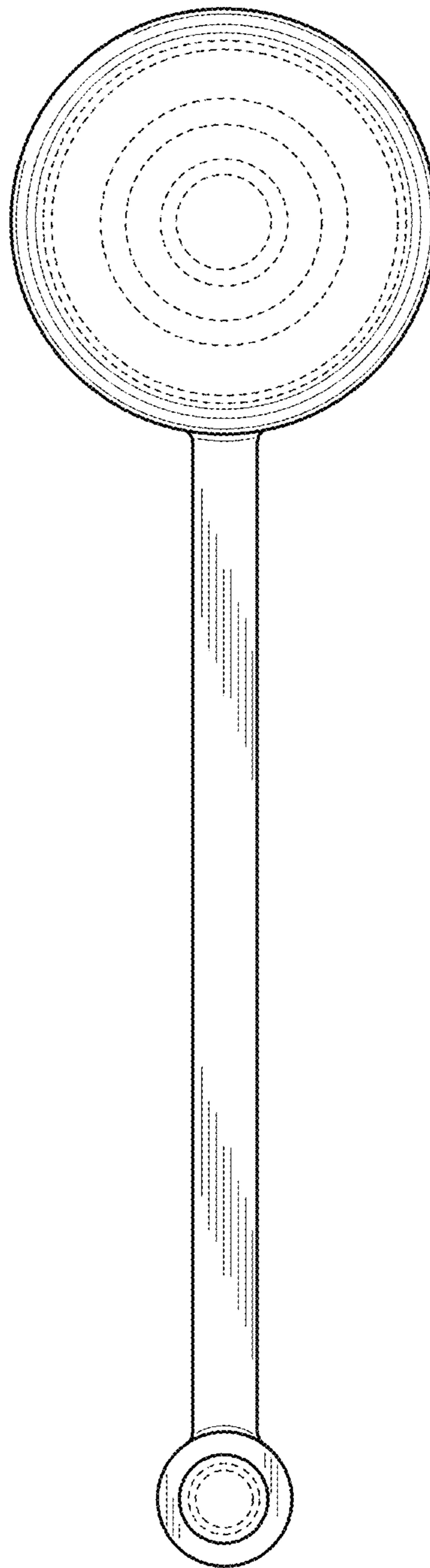


FIG. 7

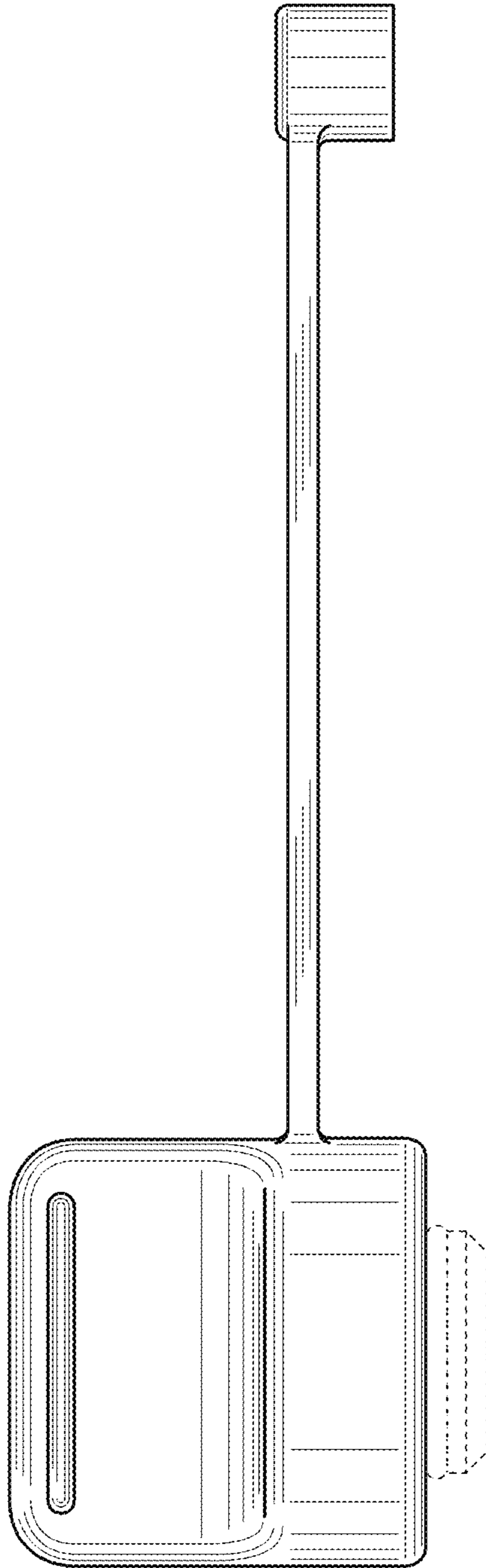


FIG. 8

