

US00D786344S

(12) **United States Design Patent**  
**Lee et al.**

(10) **Patent No.:** **US D786,344 S**  
(45) **Date of Patent:** **\*\* May 9, 2017**

(54) **CARTRIDGE FOR PRINTER**  
(71) Applicant: **S-Printing Solution Co., Ltd.**,  
Suwon-si (KR)  
(72) Inventors: **Seung-Gweon Lee**, Suwon-si (KR);  
**Young-Chae Kim**, Seoul (KR);  
**Sang-Hoon Lee**, Suwon-si (KR);  
**Ki-Hyun Yoo**, Suwon-si (KR); **Ho-Jin**  
**Jang**, Suwon-si (KR)  
(73) Assignee: **S-Printing Solution Co., Ltd.**,  
Suwon-si (KR)

D423,043 S 4/2000 Ishigami et al.  
D471,583 S 3/2003 Okabe et al.  
D584,345 S 1/2009 Choi et al.  
D584,765 S 1/2009 Park et al.  
7,645,025 B2\* 1/2010 Silverbrook ..... B41J 2/17513  
347/86  
D636,433 S 4/2011 Kim  
D637,226 S 5/2011 Sakuma et al.  
D642,610 S 8/2011 Gault et al.

(Continued)

*Primary Examiner* — Cathy Anne MacCormac

(74) *Attorney, Agent, or Firm* — NSIP Law

(\*\*) Term: **14 Years**

(21) Appl. No.: **29/510,643**

(22) Filed: **Dec. 2, 2014**

**Related U.S. Application Data**

(63) Continuation of application No. 29/458,542, filed on  
Jun. 20, 2013, now Pat. No. Des. 728,014.

(30) **Foreign Application Priority Data**

Dec. 24, 2012 (KR) ..... 30-2012-0061842

(51) **LOC (10) Cl.** ..... **18-02**

(52) **U.S. Cl.**  
USPC ..... **D18/56**

(58) **Field of Classification Search**  
USPC ..... D18/12, 40, 43, 56; D14/471, 484  
CPC .... B41J 2/17513; B41J 15/042; B41J 25/316;  
G03G 15/0837; G03G 15/0839; G03G  
15/0896; G03G 21/1853; G11B 23/08735  
See application file for complete search history.

(56) **References Cited**

**U.S. PATENT DOCUMENTS**

D356,331 S 3/1995 Ishibashi et al.  
D401,615 S 11/1998 Goto et al.

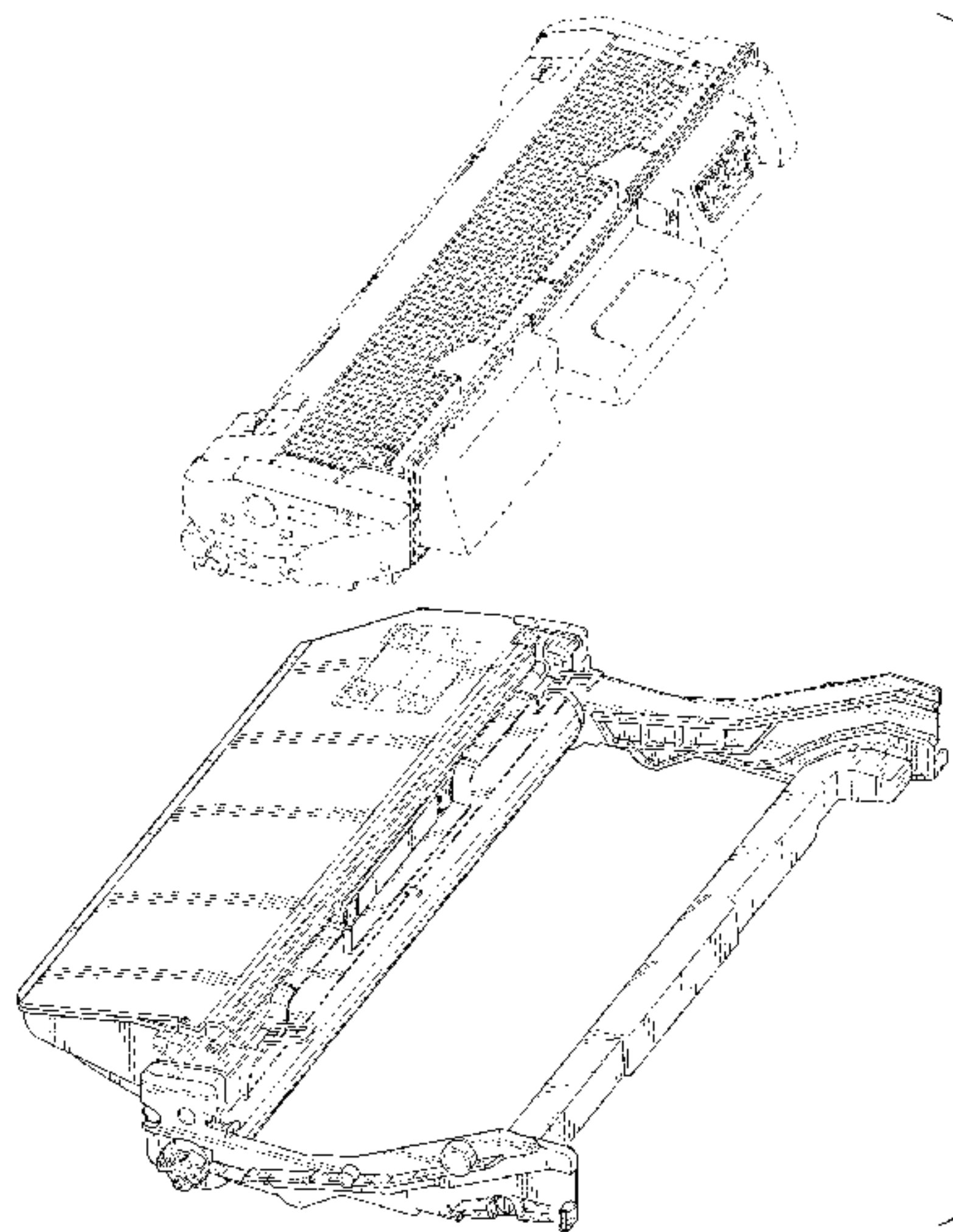
(57) **CLAIM**

We claim the ornamental design for a cartridge for printer,  
as shown and described.

**DESCRIPTION**

FIG. 1 is a front perspective view of a cartridge for printer,  
showing our new design;  
FIG. 2 is a front view thereof;  
FIG. 3 is a rear view thereof;  
FIG. 4 is a left-side view thereof;  
FIG. 5 is a right-side view thereof;  
FIG. 6 is a top view thereof;  
FIG. 7 is a bottom view thereof;  
FIG. 8 is an exploded front perspective view thereof;  
FIG. 9 is a detail view of the portion encircled in FIG. 2;  
FIG. 10 is a detail view of the portion encircled in FIG. 2;  
FIG. 11 is a detail view of the portion encircled in FIG. 1;  
and,  
FIG. 12 is a detail view of the portion encircled in FIG. 6.  
The broken lines depict environmental subject matter and  
form no part of the claimed design. The dot-dot-dash broken  
lines encircling portions of the claimed design that are  
illustrated in enlargements form no part of the claimed  
design.

**1 Claim, 11 Drawing Sheets**



(56)

**References Cited**

U.S. PATENT DOCUMENTS

|              |         |                   |        |
|--------------|---------|-------------------|--------|
| D645,503 S   | 9/2011  | Carter, II et al. |        |
| D652,862 S   | 1/2012  | Mori et al.       |        |
| 8,208,831 B2 | 6/2012  | Kim               |        |
| D694,815 S   | 12/2013 | Fukamachi et al.  |        |
| D727,411 S * | 4/2015  | Moon .....        | D18/43 |

\* cited by examiner

FIG. 1

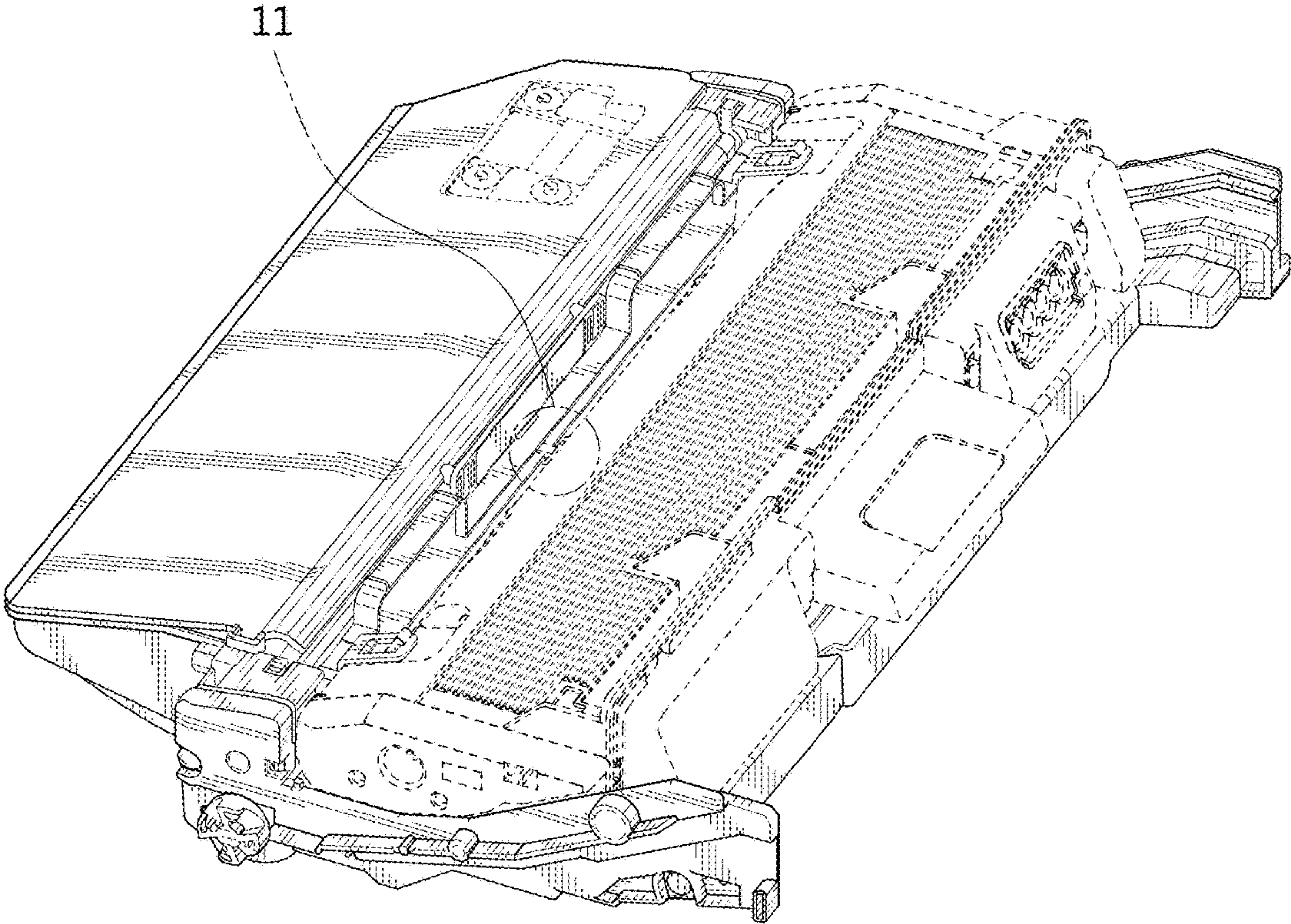


FIG. 2

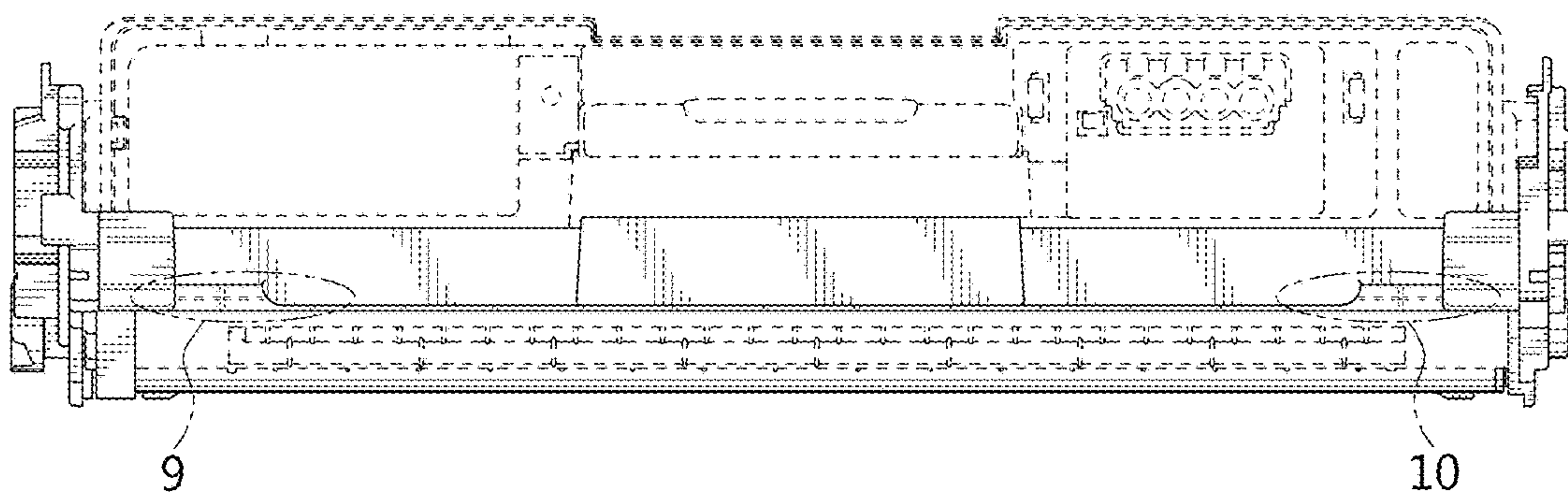




FIG. 3

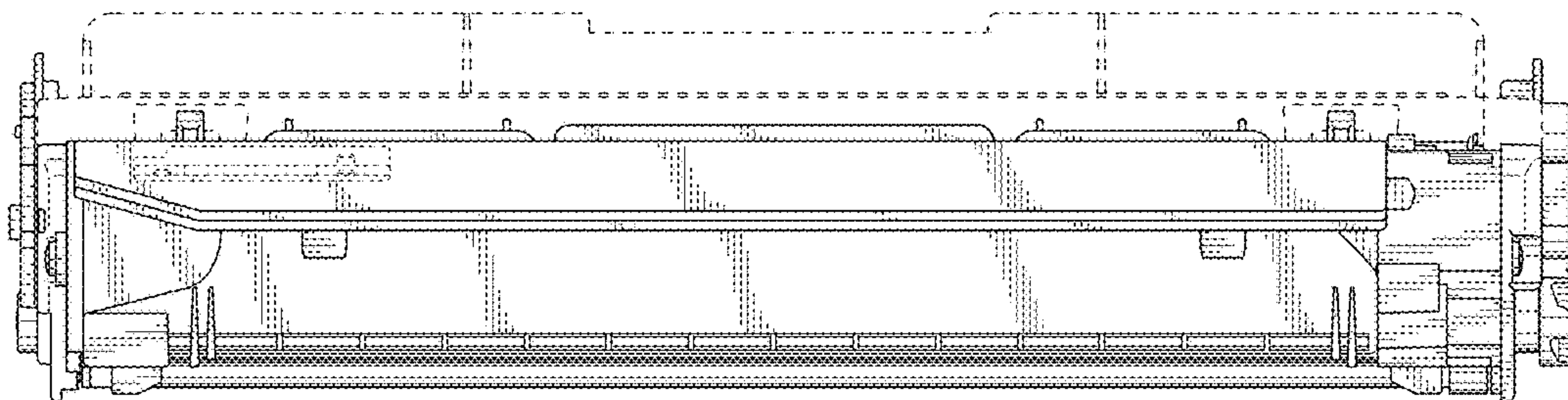


FIG. 4

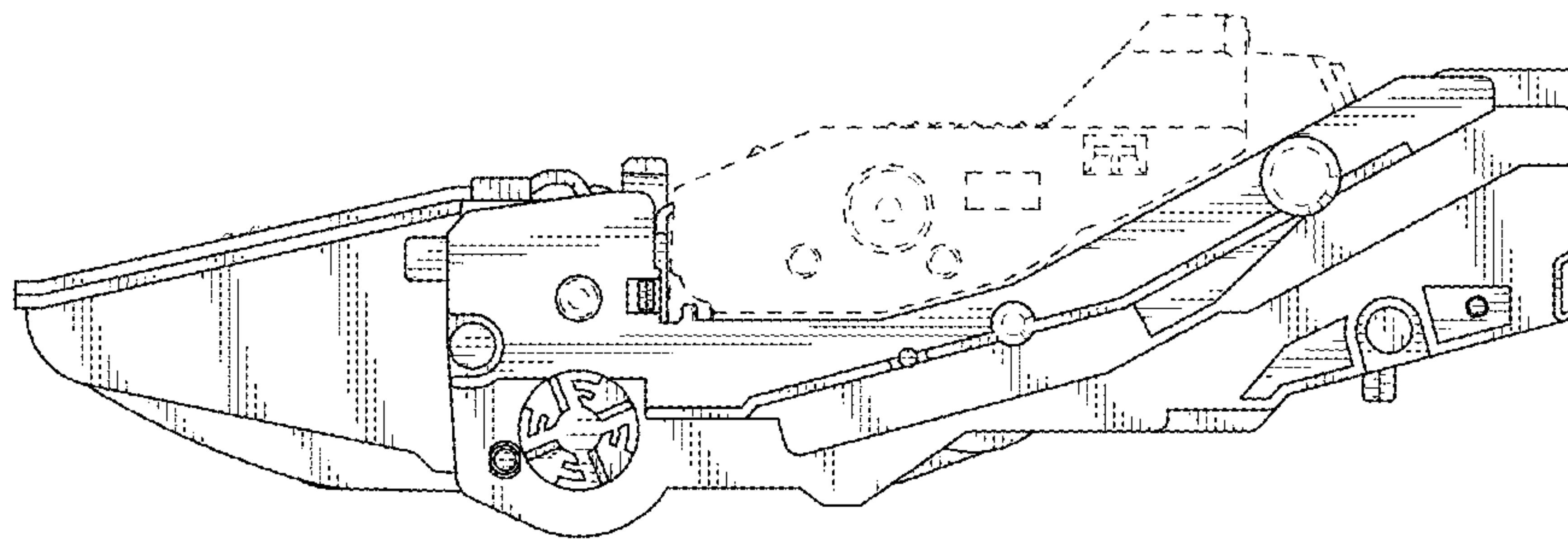


FIG. 5

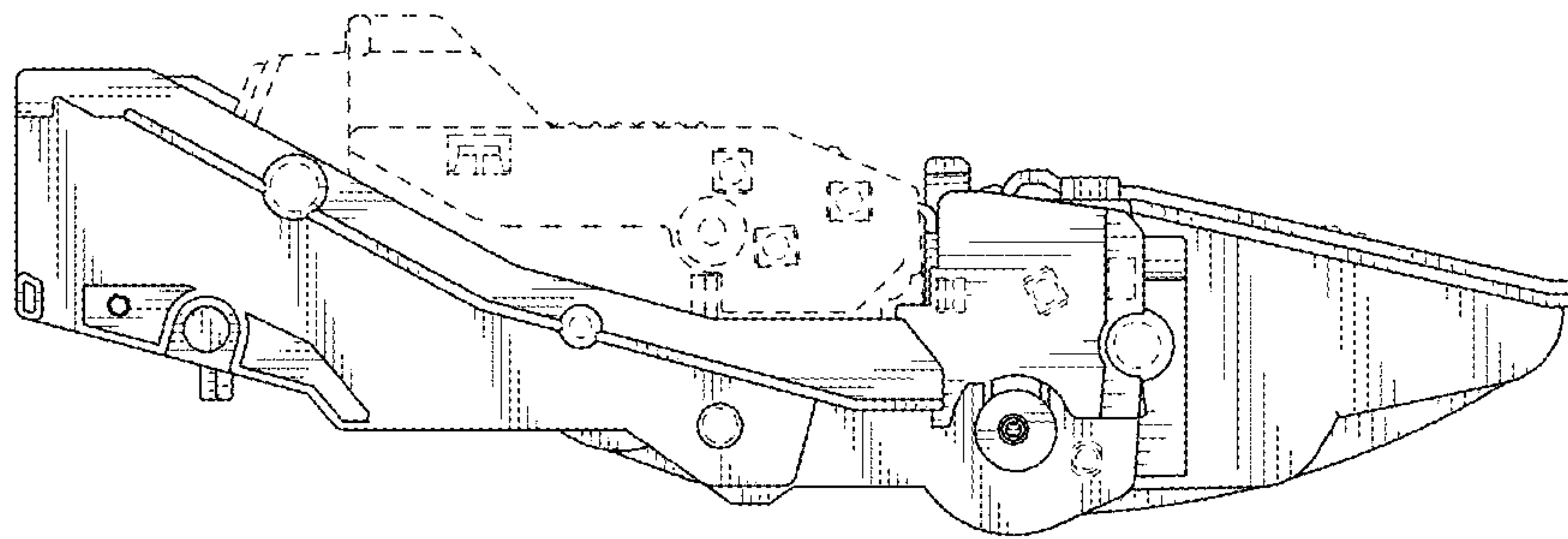


FIG. 6

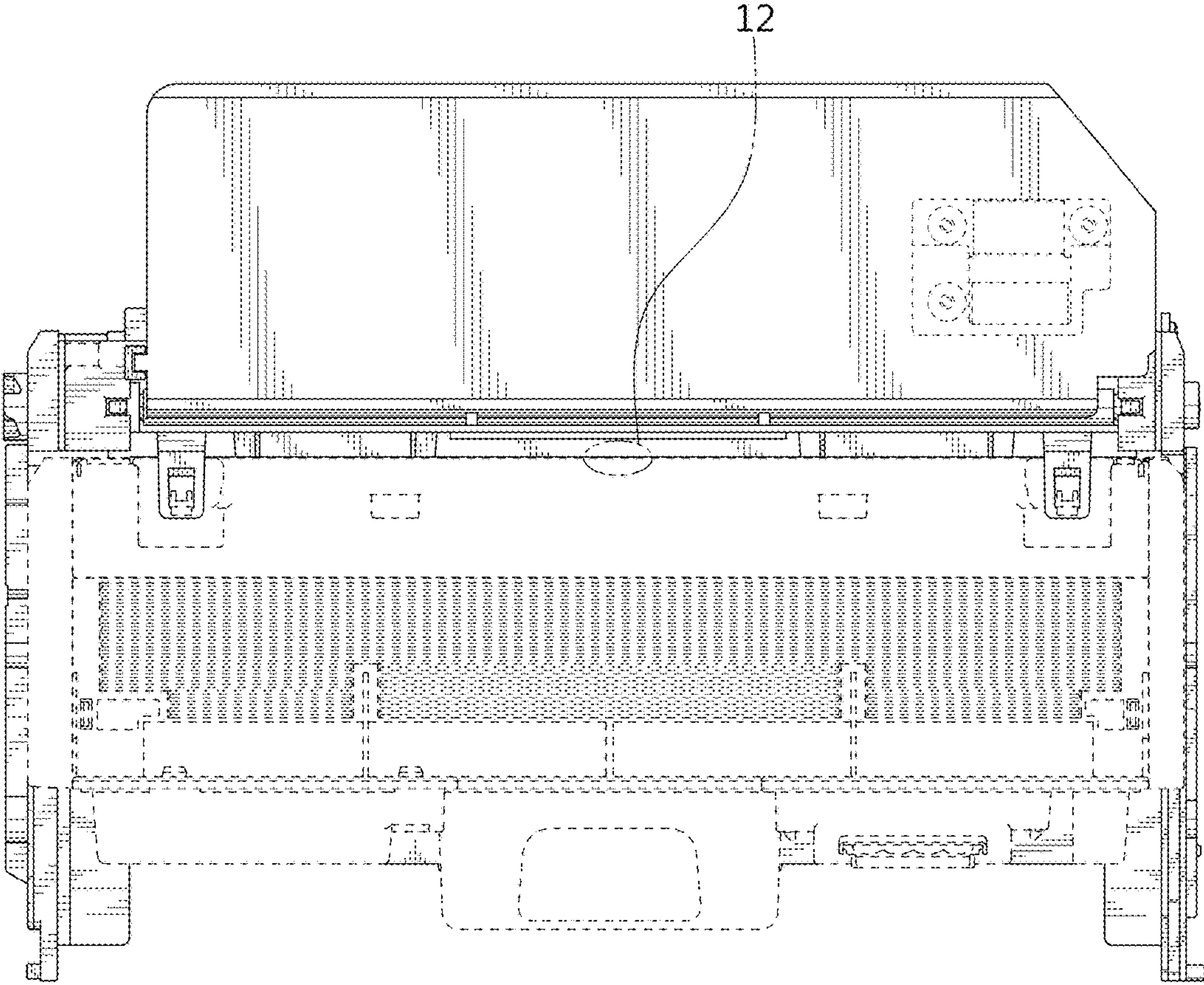




FIG. 7

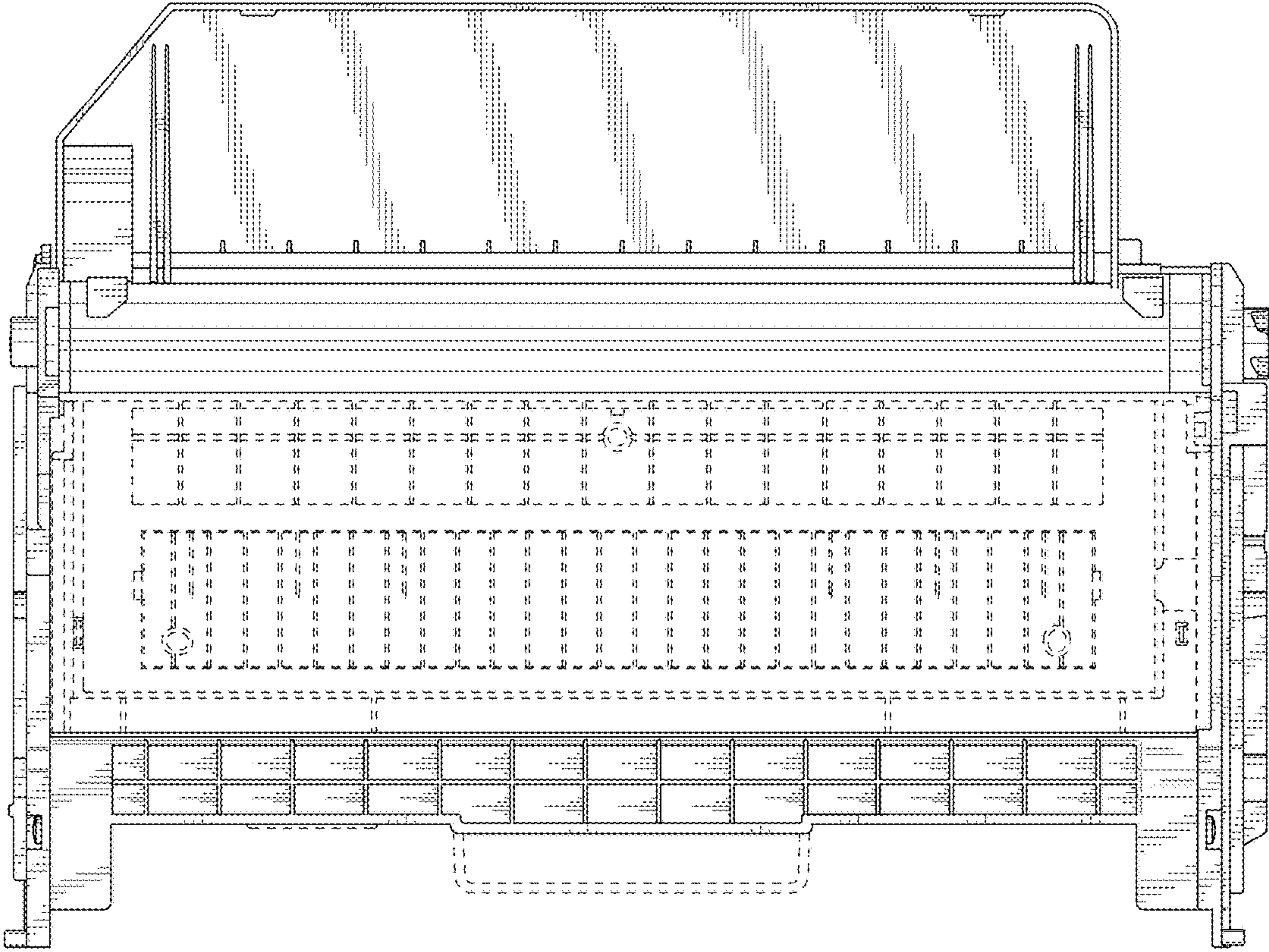


FIG. 8

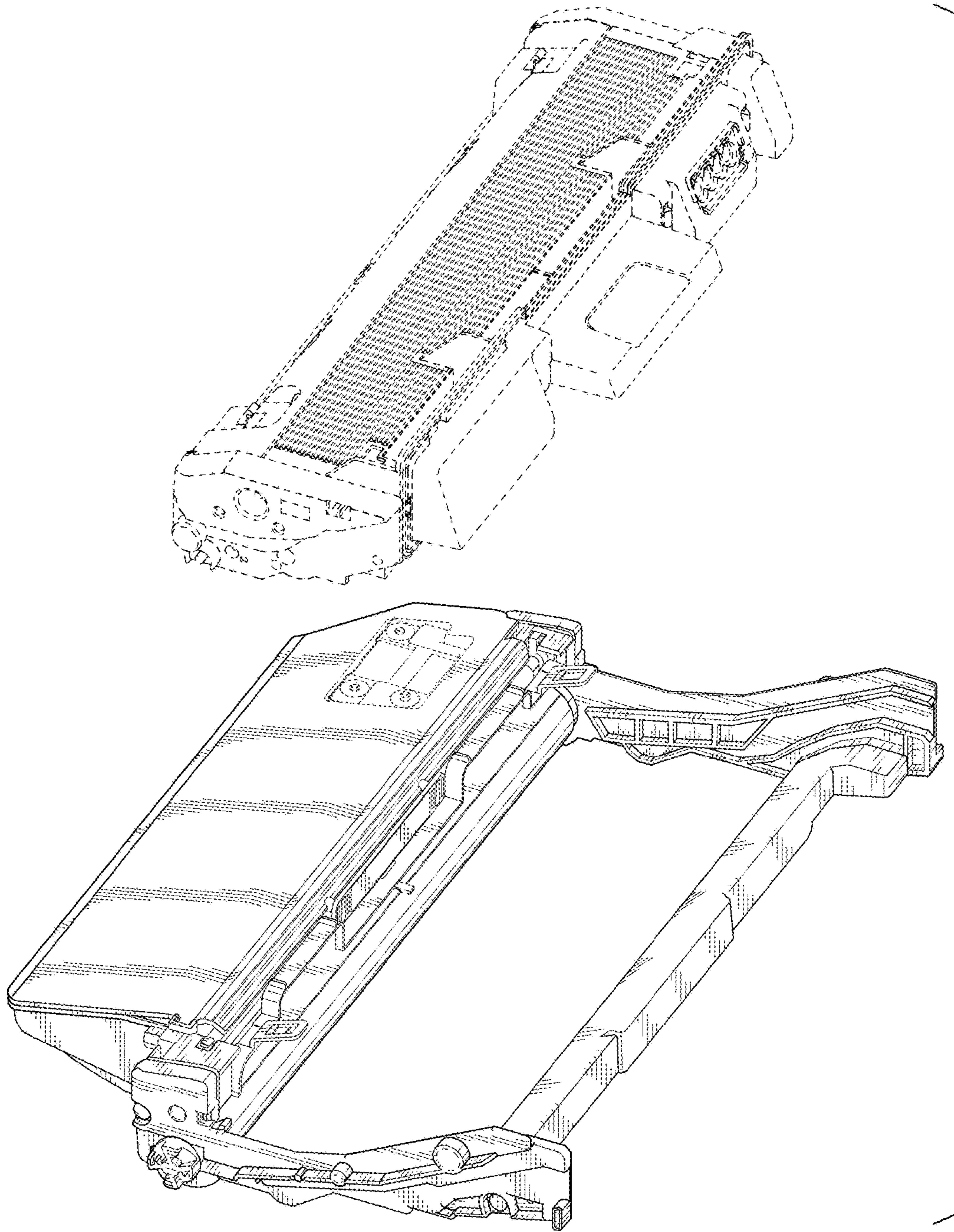


FIG. 9

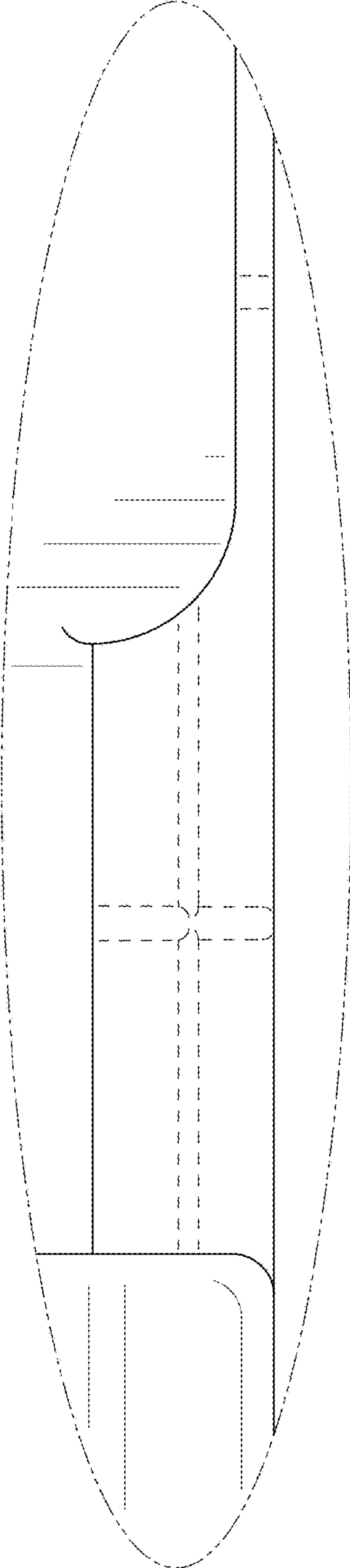


FIG. 10

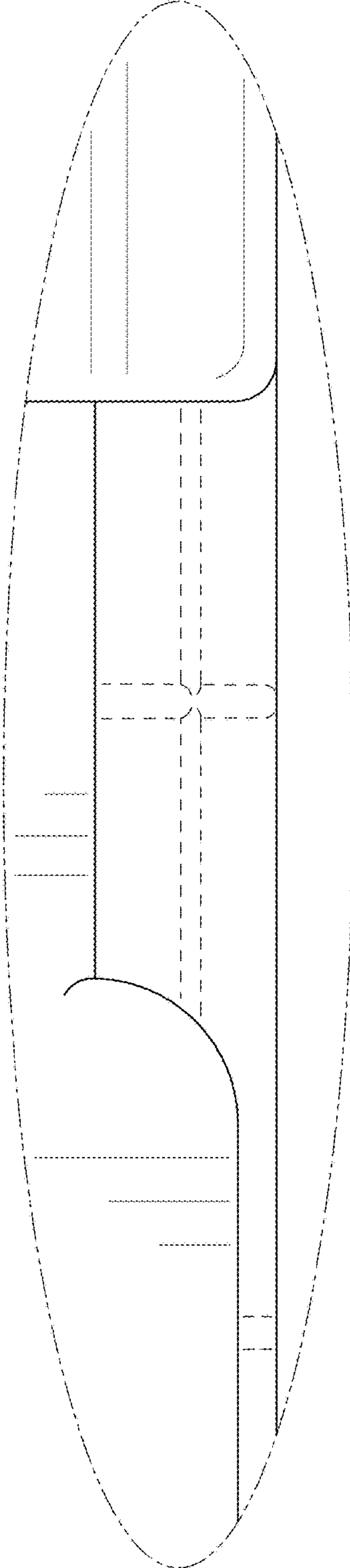


FIG. 11

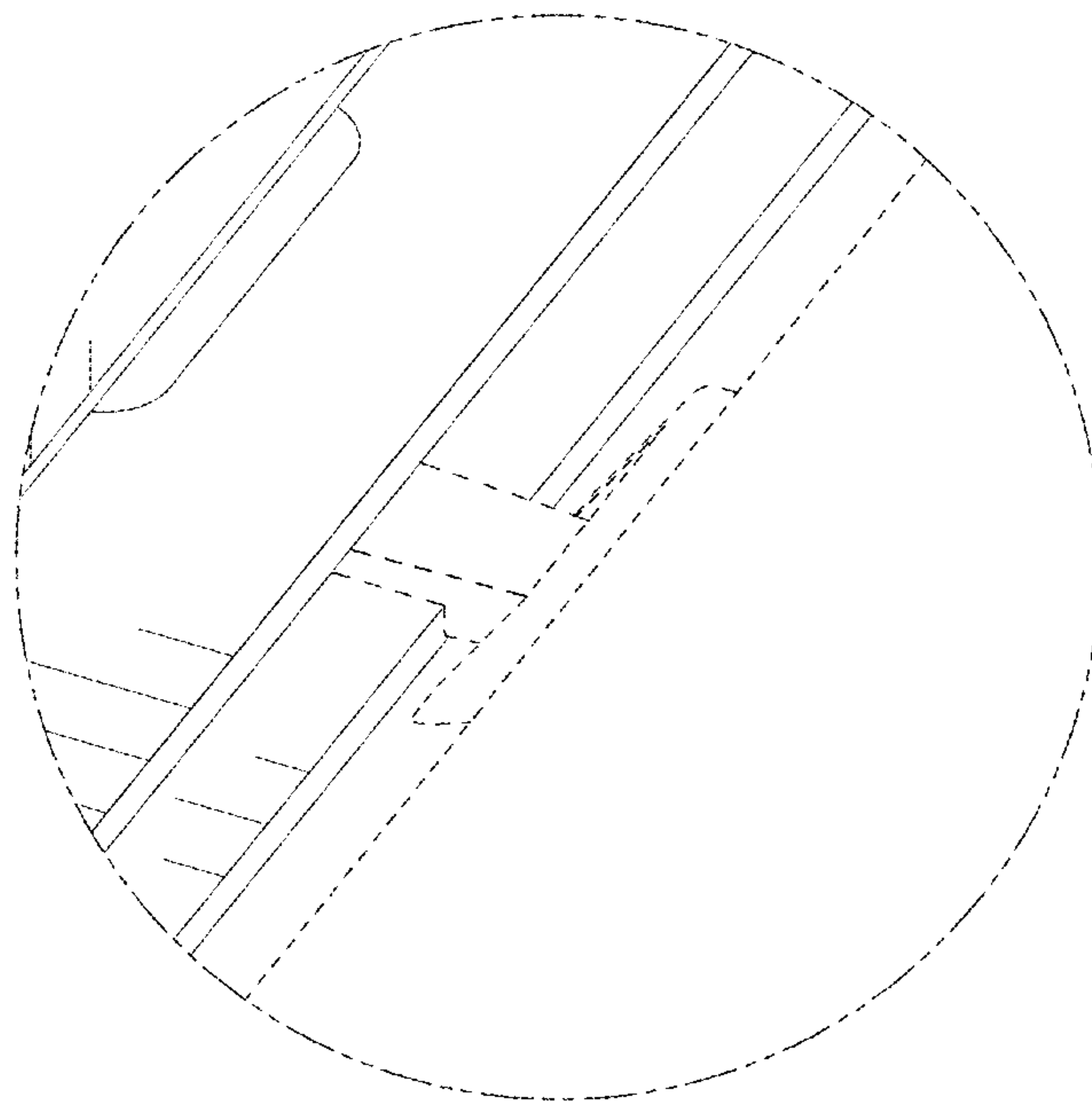


FIG. 12

