



US00D786343S

(12) **United States Design Patent** (10) **Patent No.:** **US D786,343 S**  
**Kil et al.** (45) **Date of Patent:** **\*\* May 9, 2017**

(54) **PRINTER**

(56) **References Cited**

(71) Applicant: **BROTHER INDUSTRIES, LTD.**,  
Nagoya-shi, Aichi-ken (JP)

(72) Inventors: **Jihoon Kil**, Nagoya (JP); **Ryoichi Nakagawa**, Kiyosu (JP)

(73) Assignee: **BROTHER INDUSTRIES, LTD.**,  
Nagoya (JP)

(\*\*) Term: **15 Years**

(21) Appl. No.: **29/540,441**

(22) Filed: **Sep. 24, 2015**

U.S. PATENT DOCUMENTS

D374,889 S *	10/1996	Barbera	.....	D18/54
D639,847 S *	6/2011	Nakata	.....	D18/50
D653,704 S *	2/2012	Seki	.....	D18/55
D698,862 S *	2/2014	Nanno	.....	D18/55
D722,339 S *	2/2015	Nakagawa	.....	D18/55
D749,170 S *	2/2016	Nakagawa	.....	D18/55
D749,171 S *	2/2016	Nakagawa	.....	D18/55
D749,172 S *	2/2016	Nakagawa	.....	D18/55

\* cited by examiner

*Primary Examiner* — Cathy Anne MacCormac

(74) *Attorney, Agent, or Firm* — Oliff PLC

(57) **CLAIM**

The ornamental design for a printer, as shown and described.

**DESCRIPTION**

FIG. 1 is a perspective view of a printer;  
 FIG. 2 is a front view thereof;  
 FIG. 3 is a top view thereof;  
 FIG. 4 is a right-side view thereof;  
 FIG. 5 is a left-side view thereof;  
 FIG. 6 is a rear view thereof;  
 FIG. 7 is a bottom view thereof;  
 FIG. 8 is a detail view of the frontward left-side encircled portion shown in FIG. 1;  
 FIG. 9 is a detail view of the frontward right-side encircled portion shown in FIG. 1;  
 FIG. 10 is a detail view of the rearward left-side encircled portion shown in FIG. 1; and,  
 FIG. 11 is a detail view of the encircled portion shown in FIG. 3.

The evenly spaced broken lines depict environmental subject matter only and form no part of the claimed design. The dot-dash broken lines forming rectangular shaped boxes around certain portions of FIGS. 1 and 3 depict areas shown as detail views in FIGS. 8-11, and form no part of the claimed design.

**Related U.S. Application Data**

(62) Division of application No. 29/491,328, filed on May 20, 2014, now Pat. No. Des. 749,169.

(30) **Foreign Application Priority Data**

May 2, 2014 (JP) ..... 2014-9655  
 May 2, 2014 (JP) ..... 2014-9656

(51) **LOC (10) Cl.** ..... **14-02**

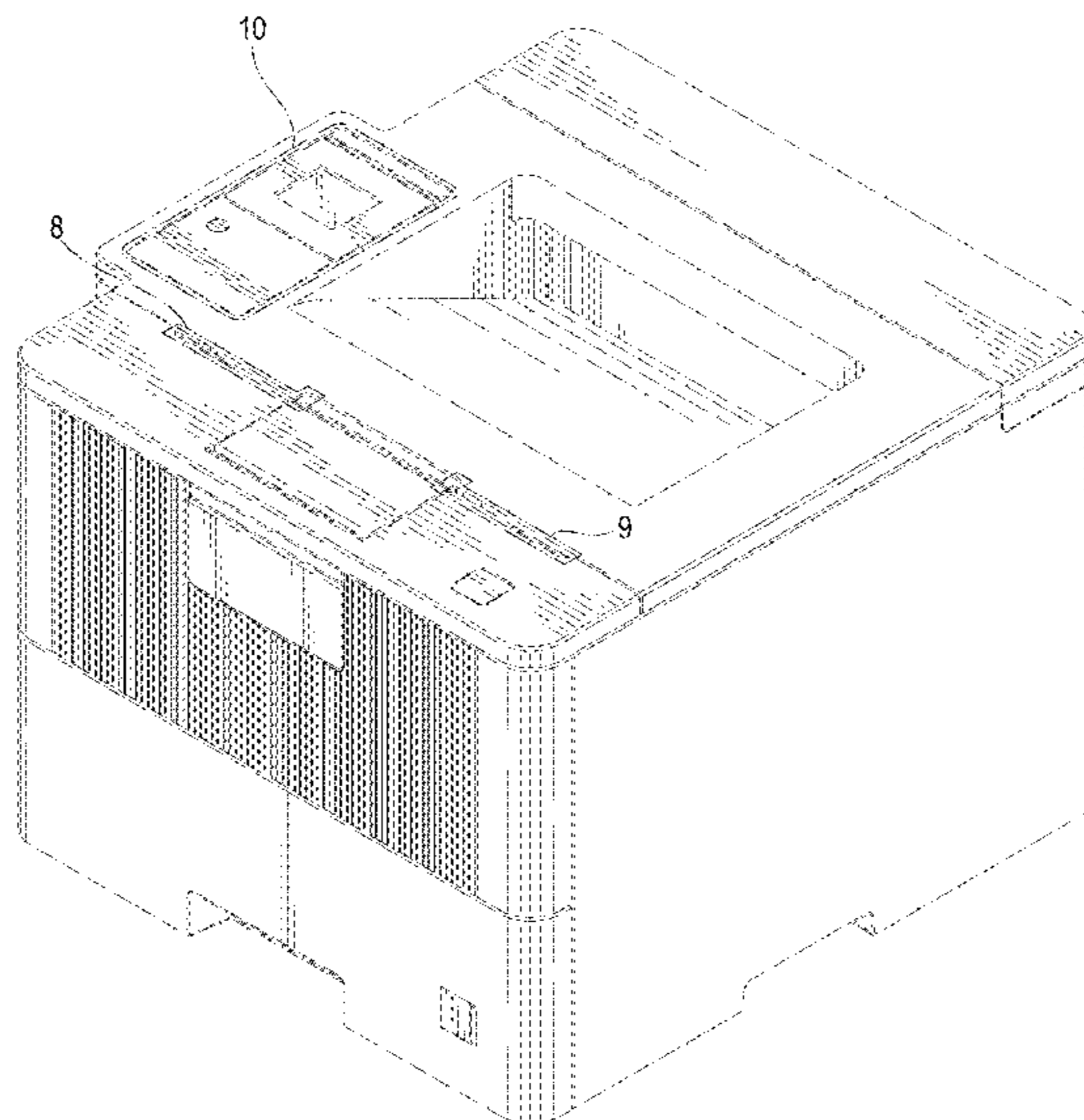
(52) **U.S. Cl.**  
USPC ..... **D18/55**

(58) **Field of Classification Search**  
USPC ..... D18/6-7, 14, 19, 50, 54, 54.1, 55;  
D14/420-425

CPC ... B41J 3/36; B41J 3/4075; B41J 11/58; B41J 13/00; B41J 15/00; B41J 15/02; B41J 15/042; B41J 17/00; B41J 29/00; B41J 29/02; B41J 29/08; B41J 29/13; G06F 3/12; G06K 15/14

See application file for complete search history.

**1 Claim, 11 Drawing Sheets**



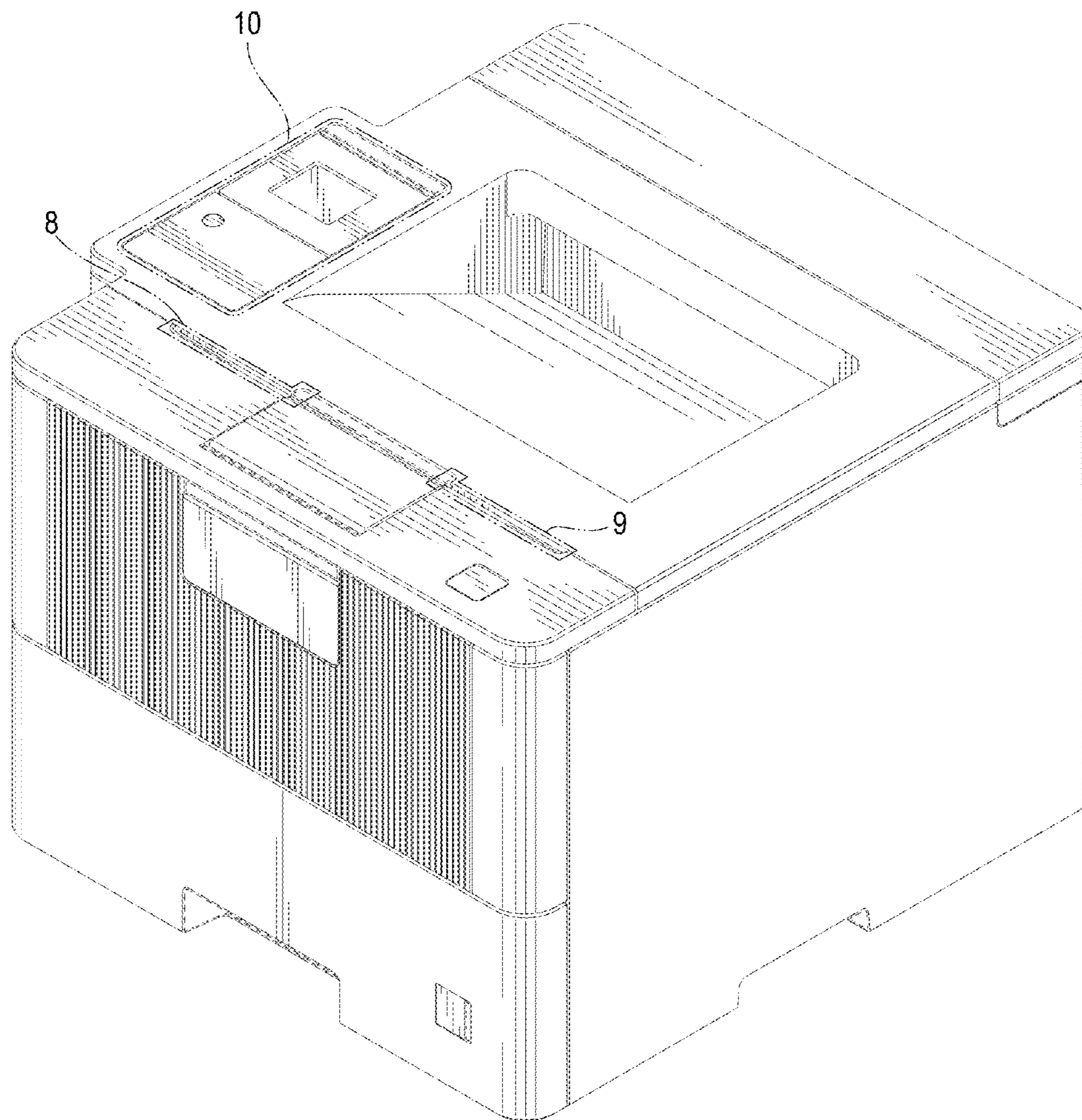


FIG. 1

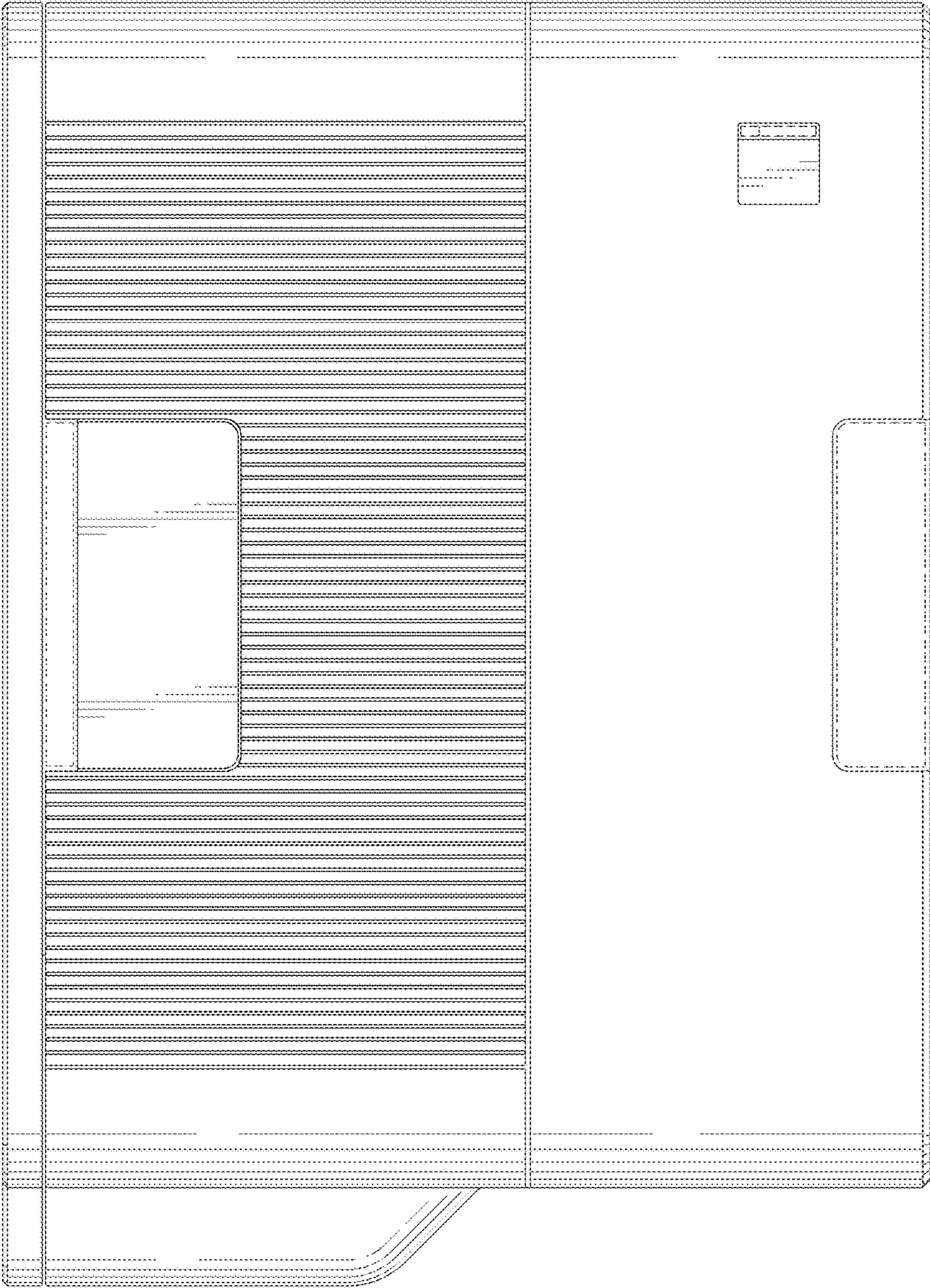


FIG. 2

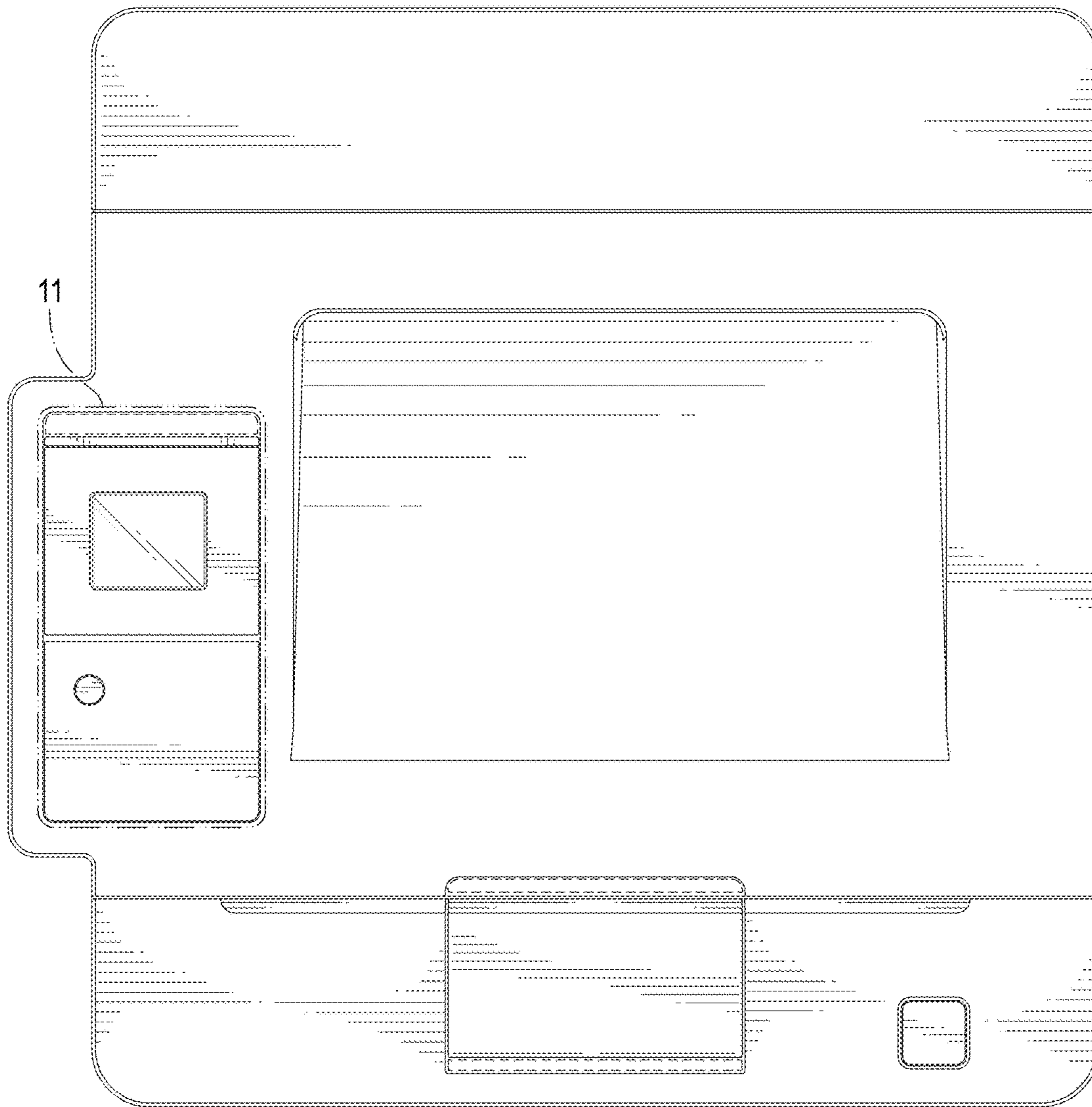


FIG. 3

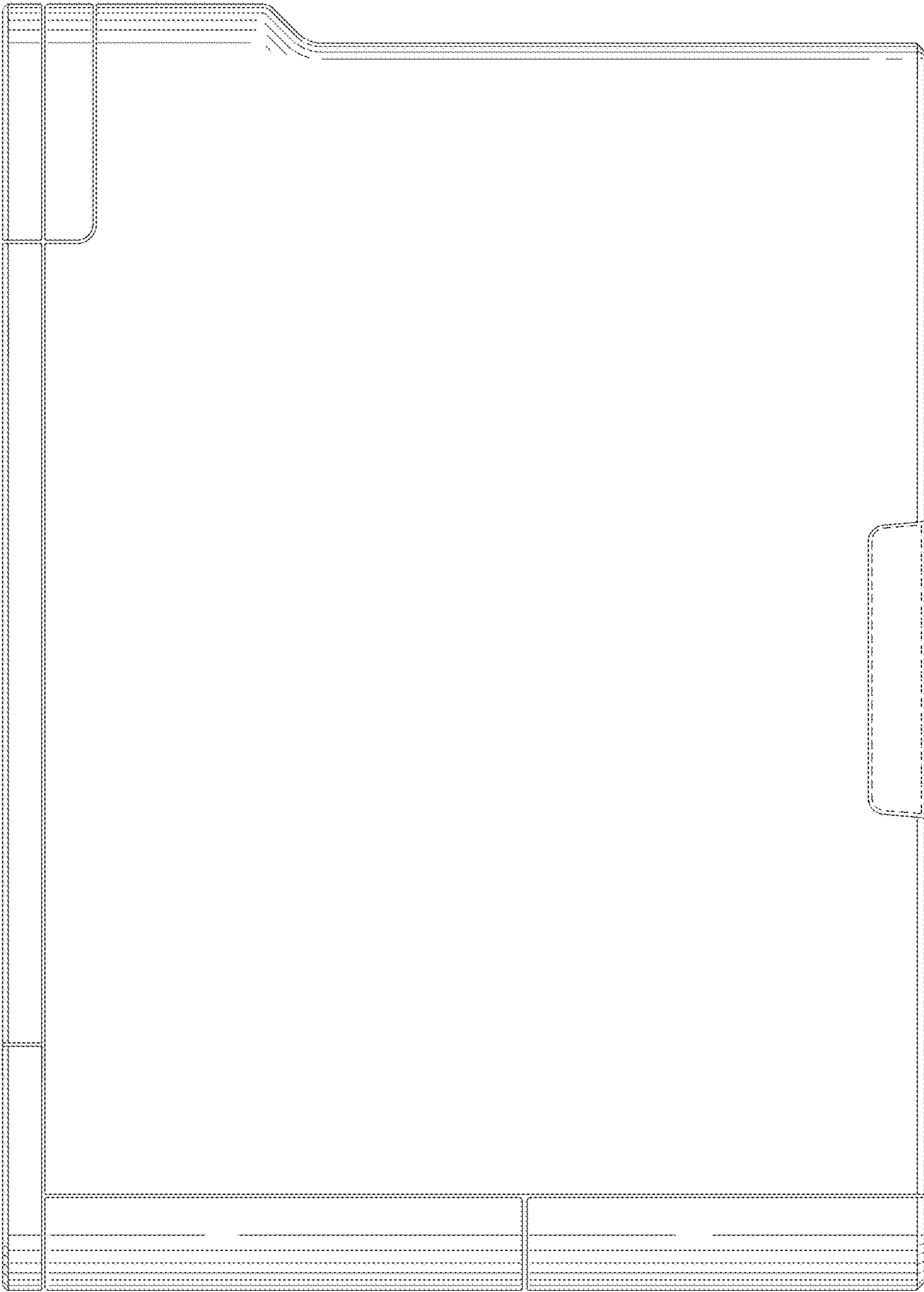


FIG. 4

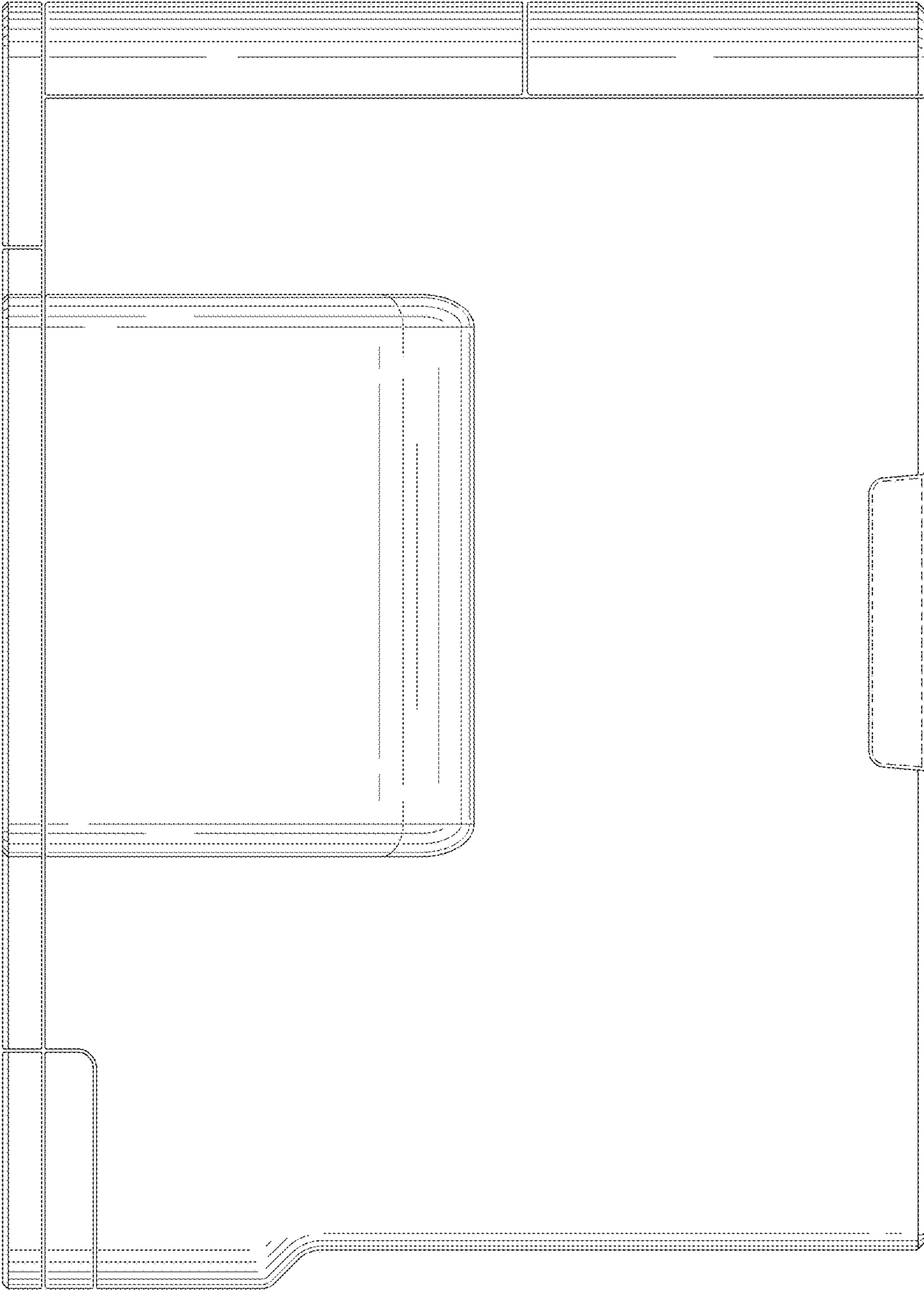


FIG. 5

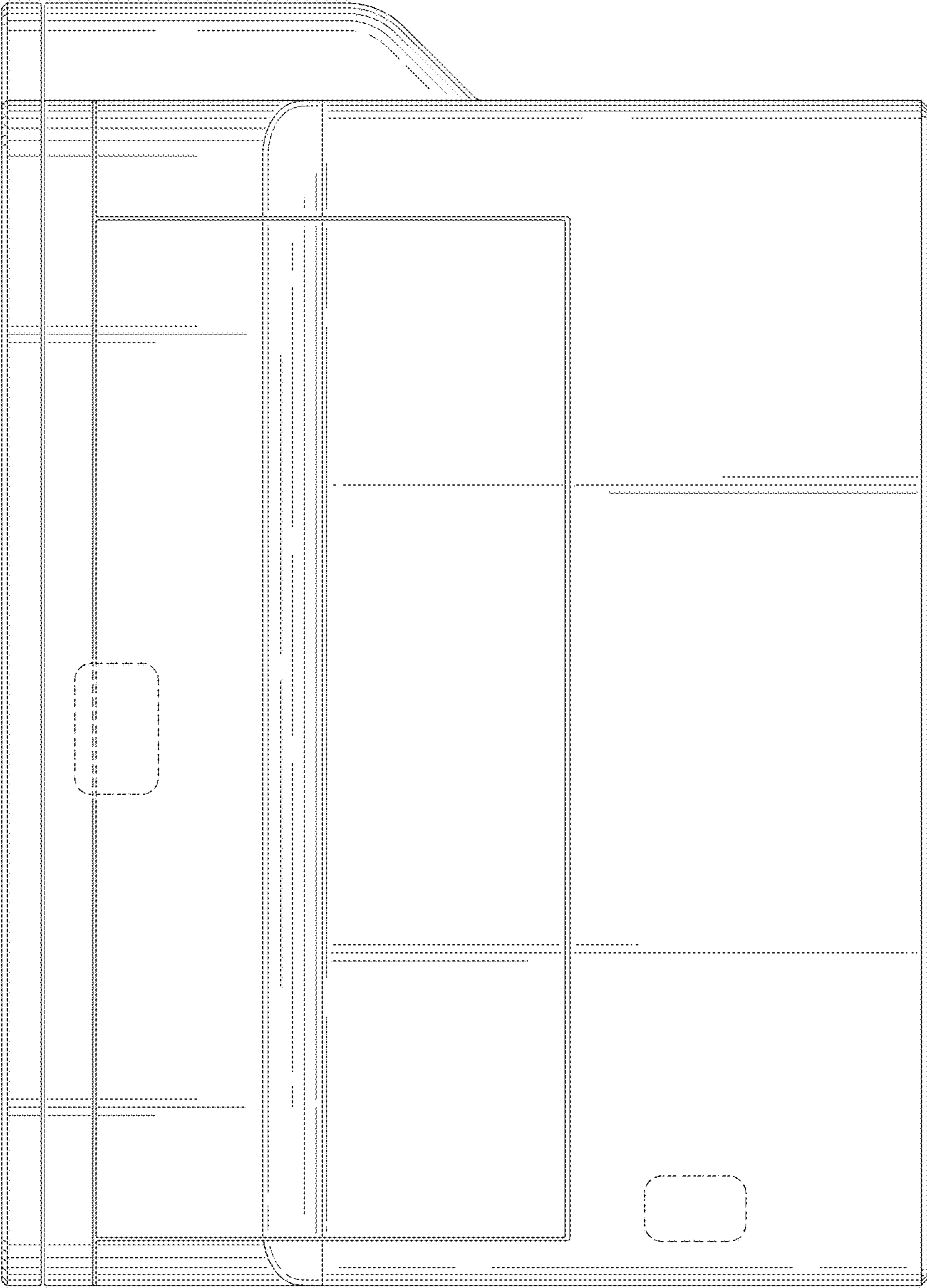


FIG. 6

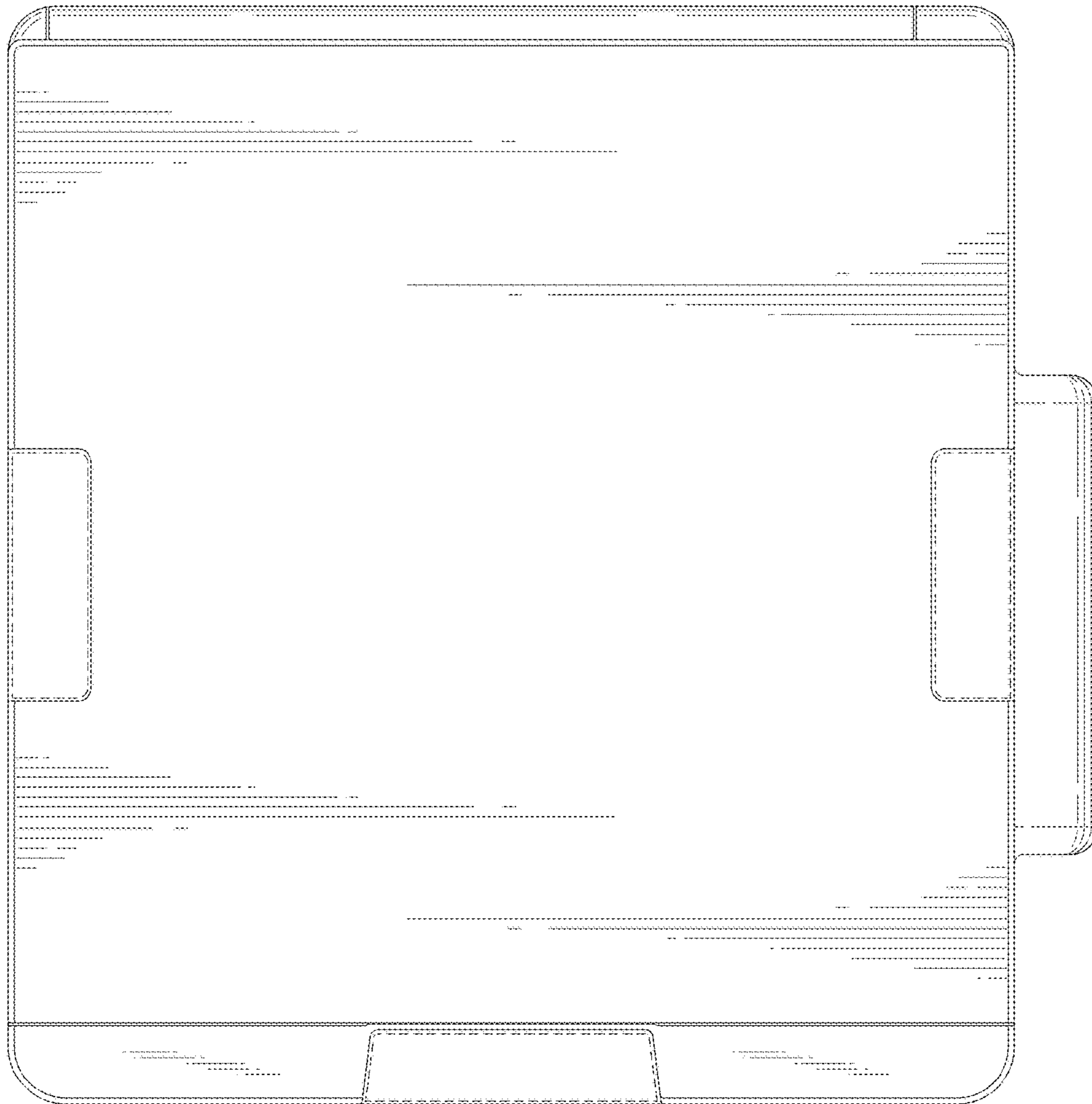


FIG. 7



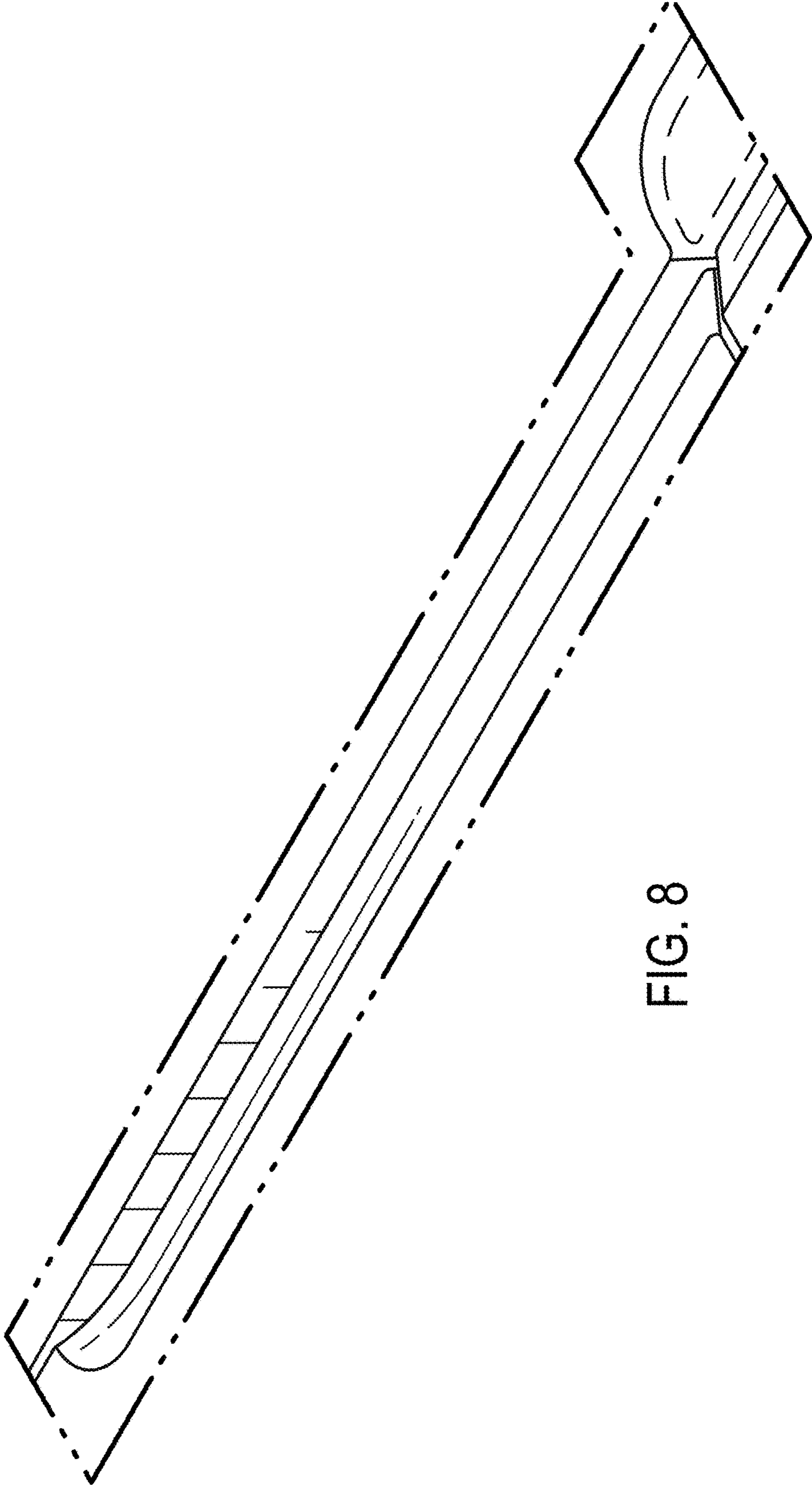


FIG. 8

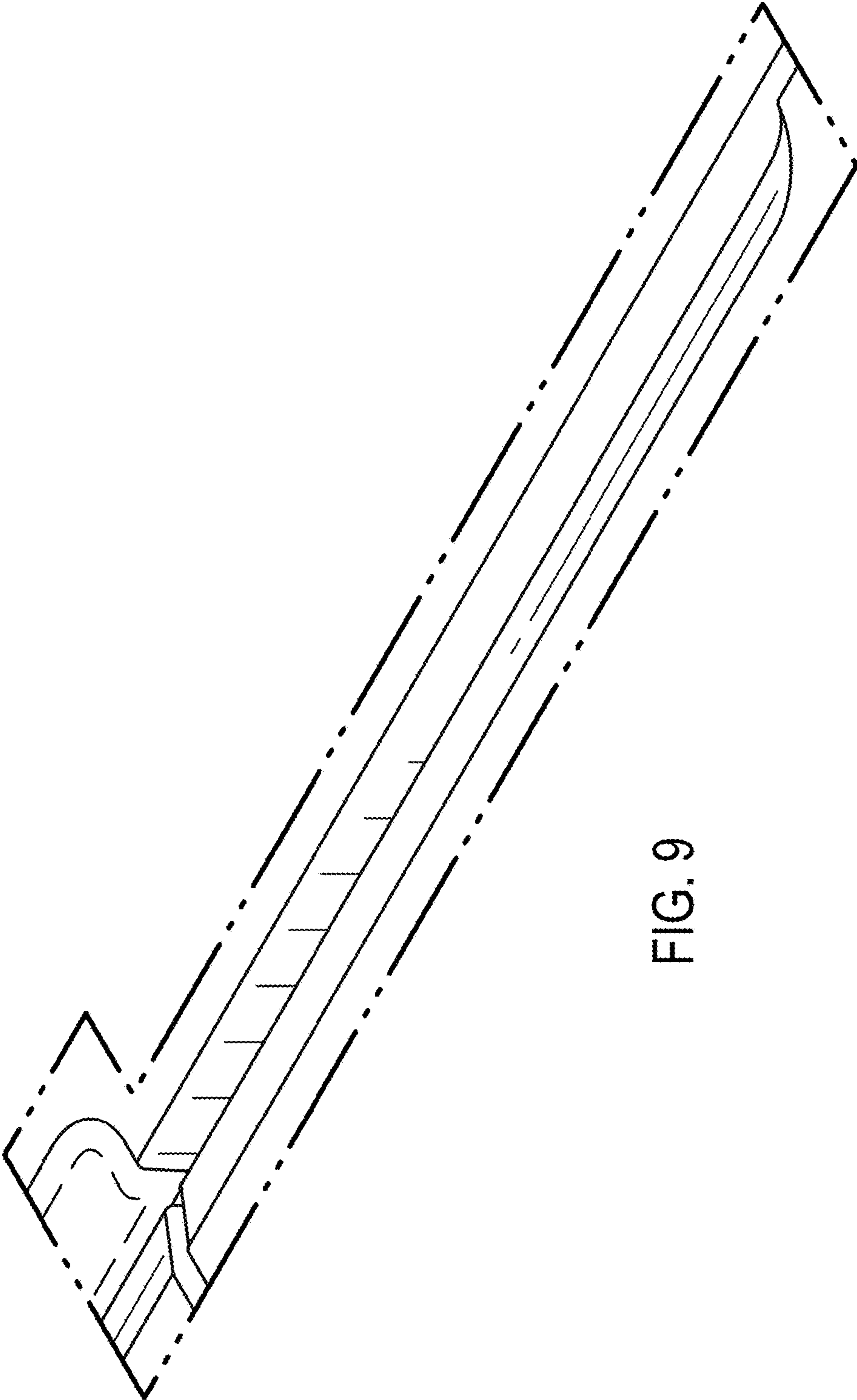


FIG. 9

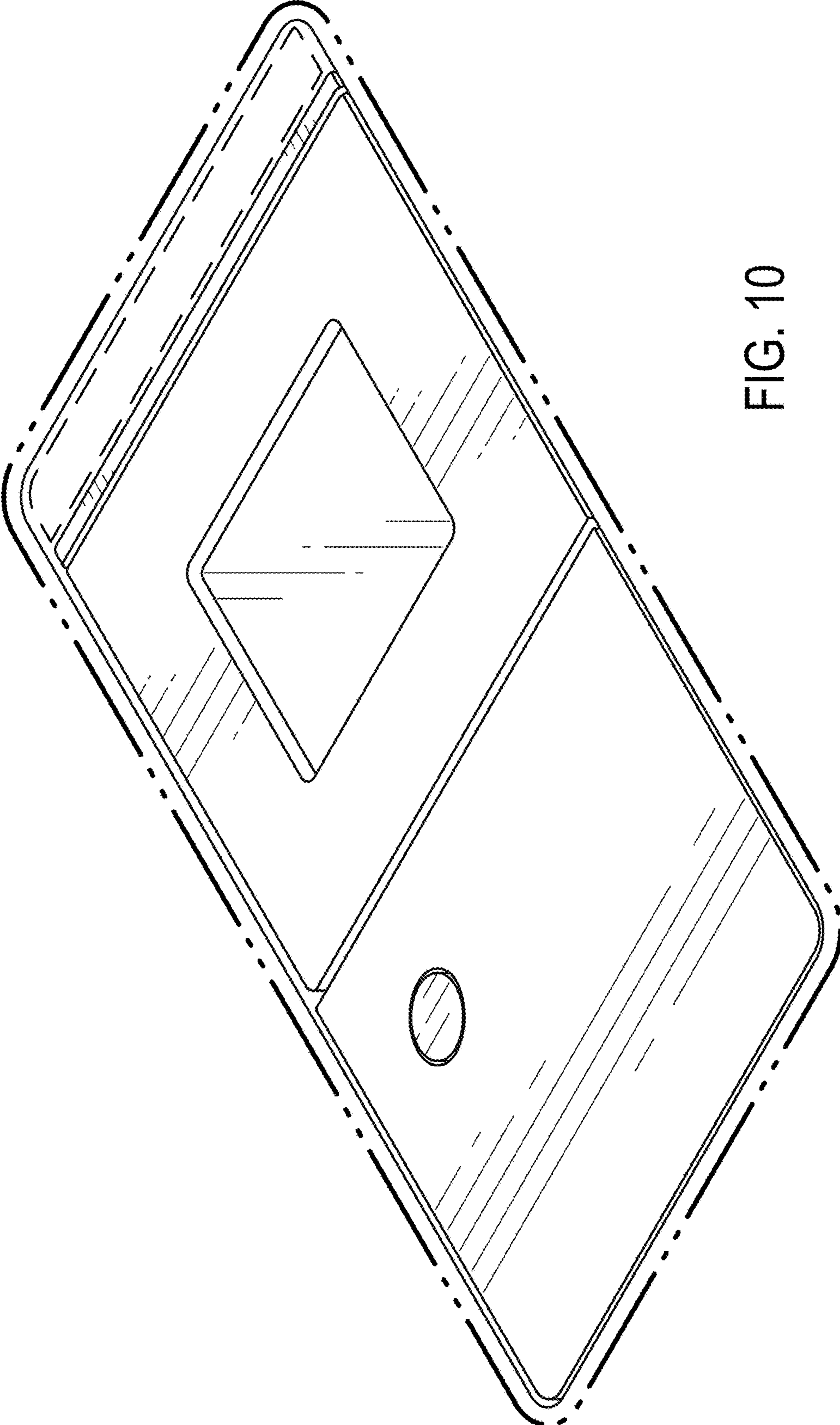


FIG. 10

FIG. 11

