



US00D786342S

(12) **United States Design Patent**
Oguchi et al.

(10) **Patent No.:** **US D786,342 S**

(45) **Date of Patent:** **** May 9, 2017**

(54) **CASE FOR PRINTER**

(71) Applicant: **BROTHER INDUSTRIES, LTD.**,
Nagoya-shi, Aichi-ken (JP)

(72) Inventors: **Takaaki Oguchi**, Nagakute (JP);
Nobuyuki Iwai, Chita-gun (JP)

(73) Assignee: **BROTHER INDUSTRIES, LTD.**,
Nagoya (JP)

(**) Term: **15 Years**

(21) Appl. No.: **29/536,201**

(22) Filed: **Aug. 14, 2015**

(30) **Foreign Application Priority Data**

Feb. 26, 2015 (JP) 2015-03998

(51) **LOC (10) Cl.** **14-02**

(52) **U.S. Cl.**
USPC **D18/50**

(58) **Field of Classification Search**
USPC D18/6-7, 14, 19, 50, 52, 54, 54.1, 55;
D14/420-425

CPC ... B41J 3/36; B41J 3/4075; B41J 11/58; B41J
13/00; B41J 15/00; B41J 15/02; B41J
15/042; B41J 17/00; B41J 29/00; B41J
29/02; B41J 29/08; B41J 29/13; G06F
3/12; G06K 15/14

See application file for complete search history.

(56) **References Cited**

U.S. PATENT DOCUMENTS

D299,346 S * 1/1989 Lehman D18/54
4,904,100 A * 2/1990 Enix B41J 11/58
D18/55

4,961,659 A * 10/1990 Igarashi B41J 29/13
400/578
5,061,097 A * 10/1991 Piatt B41J 3/36
D18/55
D422,623 S * 4/2000 Fukuoka D18/12
D440,246 S * 4/2001 Yin D18/50
D490,845 S * 6/2004 Fukushima D18/50
D555,652 S * 11/2007 Kitamura D14/420
7,347,543 B2 * 3/2008 Kan B41J 29/13
347/108
D652,445 S * 1/2012 Burton D18/50
D656,182 S * 3/2012 Inada D18/50
D754,787 S * 4/2016 Yoshioka D18/50

* cited by examiner

Primary Examiner — Cathy Anne MacCormac

(74) *Attorney, Agent, or Firm* — Oliff PLC

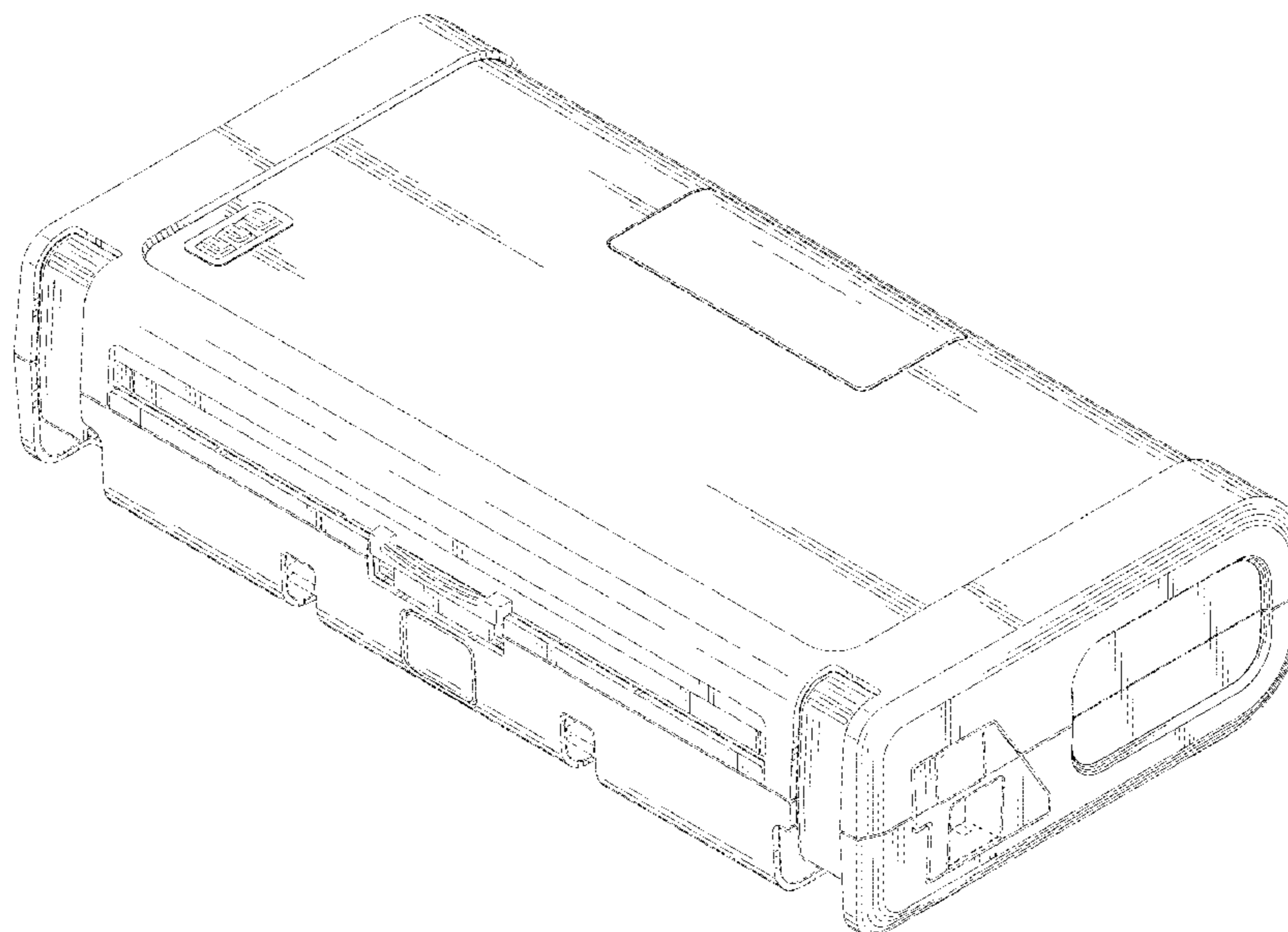
(57) **CLAIM**

The ornamental design for a case for printer, as shown and described.

DESCRIPTION

FIG. 1 is a perspective view of a case for printer;
FIG. 2 is a front view thereof;
FIG. 3 is a top view thereof;
FIG. 4 is a right-side view thereof;
FIG. 5 is a left-side view thereof;
FIG. 6 is a rear view thereof; and,
FIG. 7 is a bottom view thereof.
The broken lines depict environmental subject matter only and form no part of the claimed design.

1 Claim, 6 Drawing Sheets



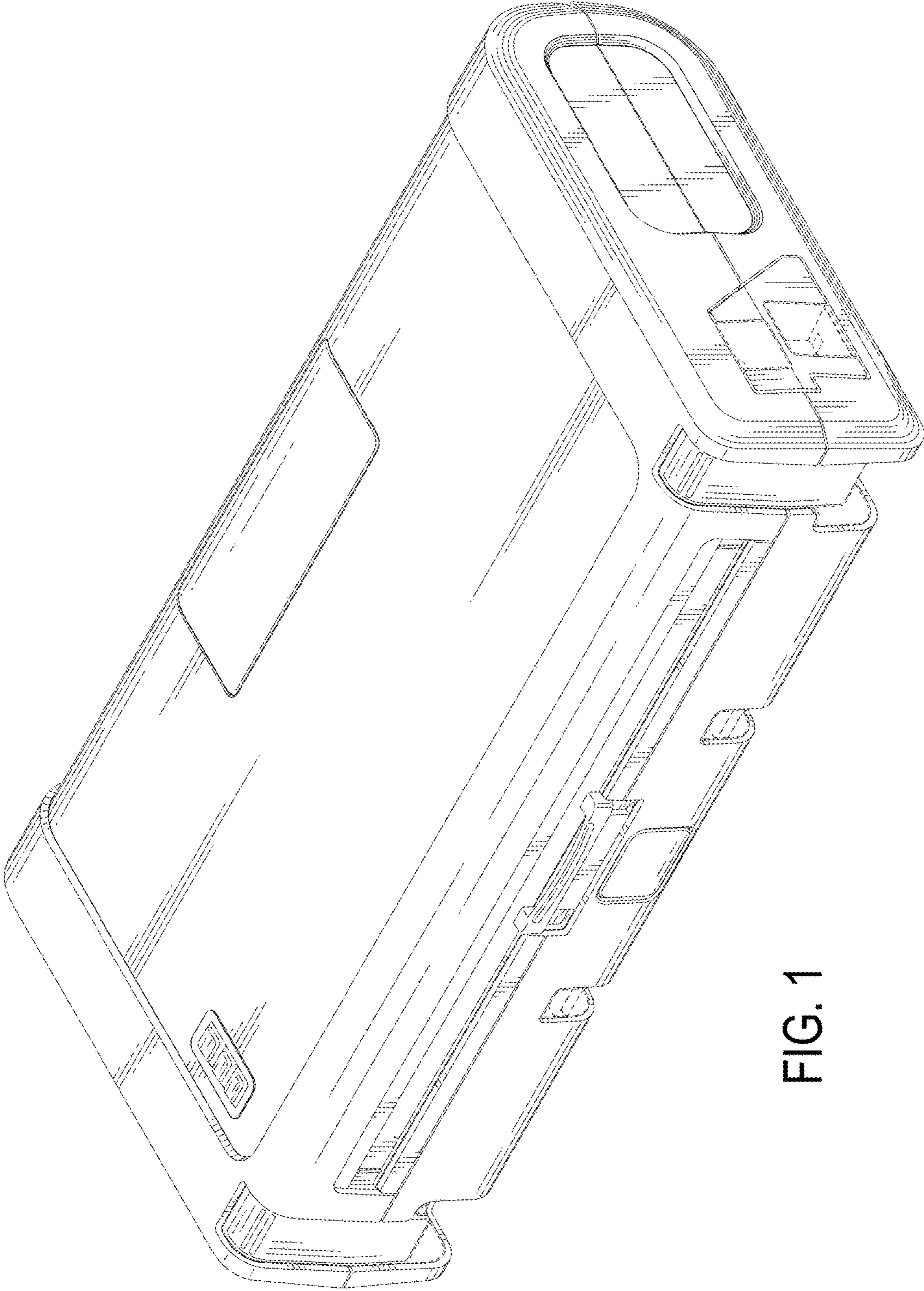


FIG. 1

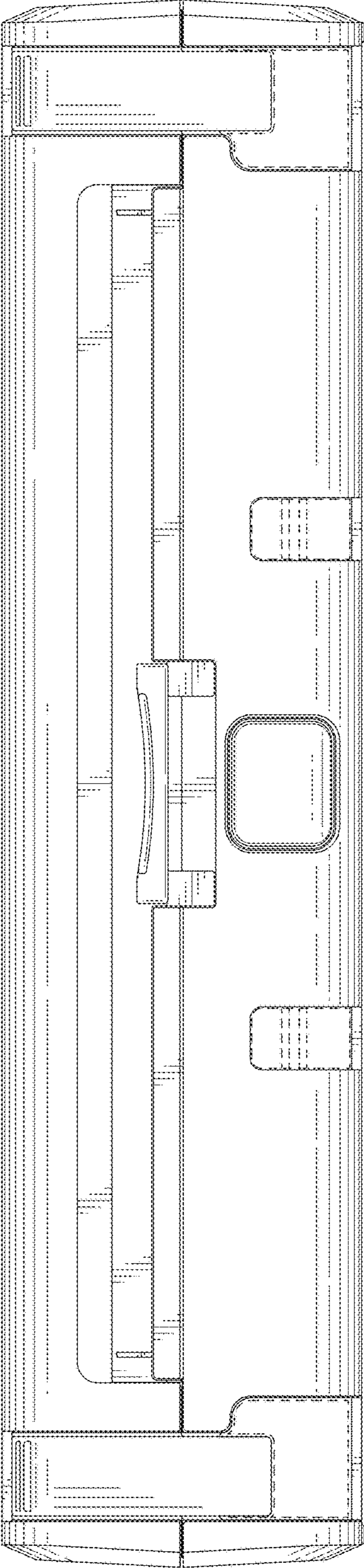


FIG. 2

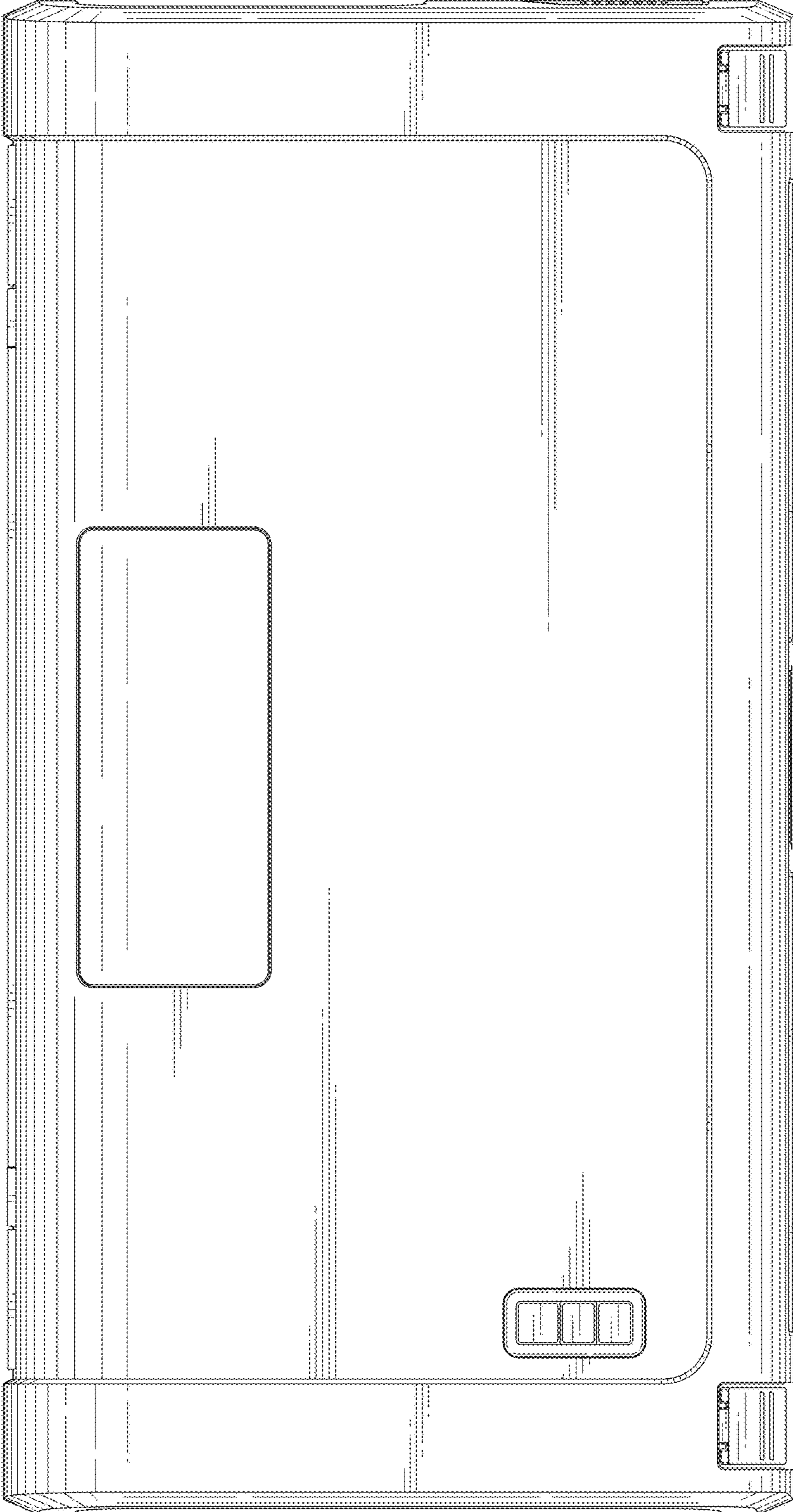


FIG. 3

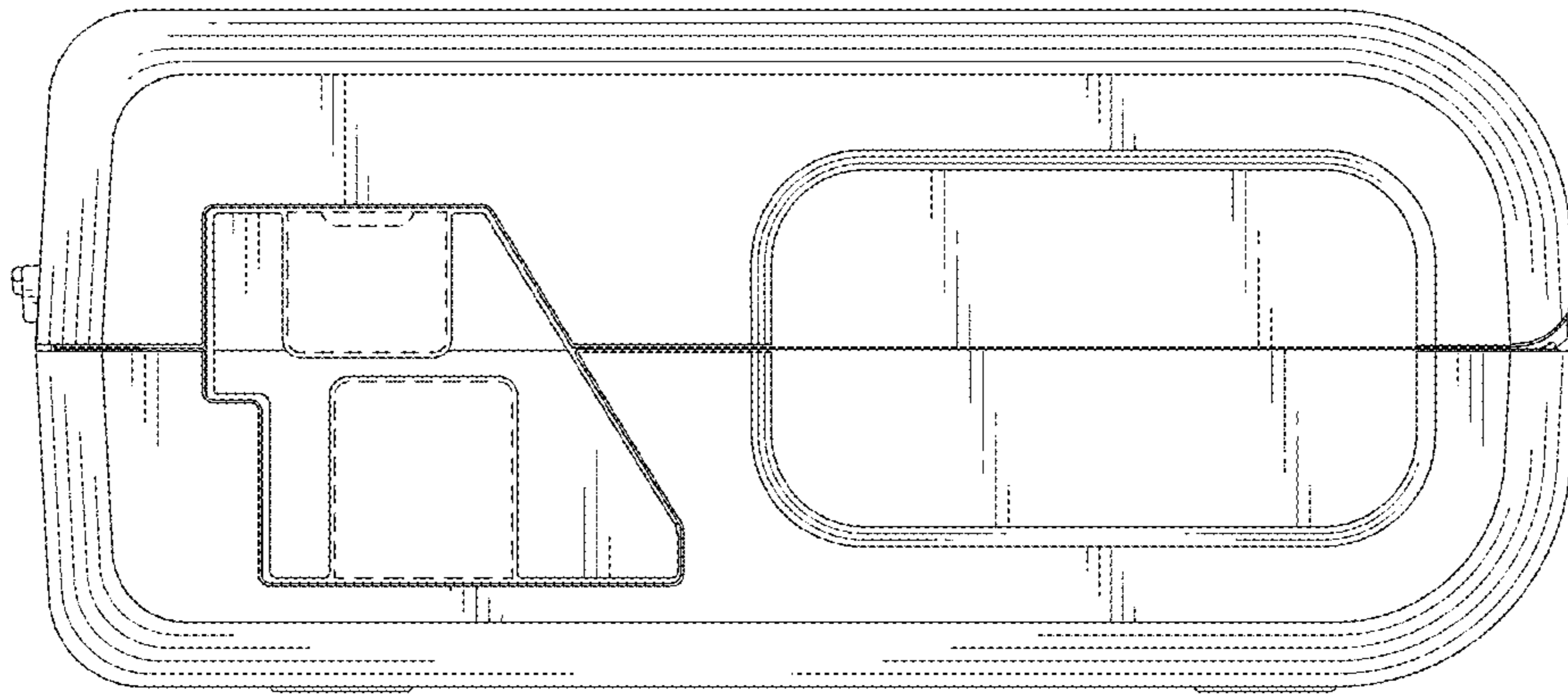


FIG. 4

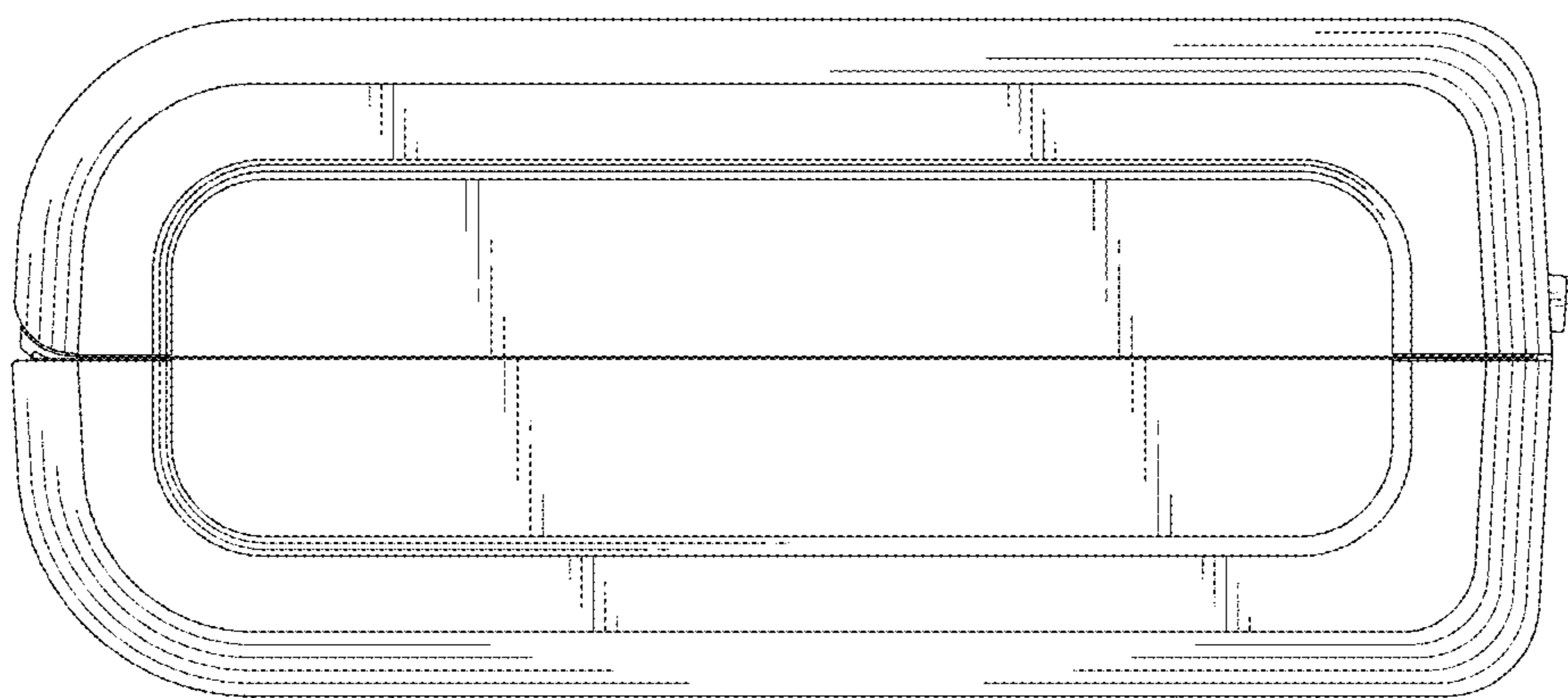


FIG. 5

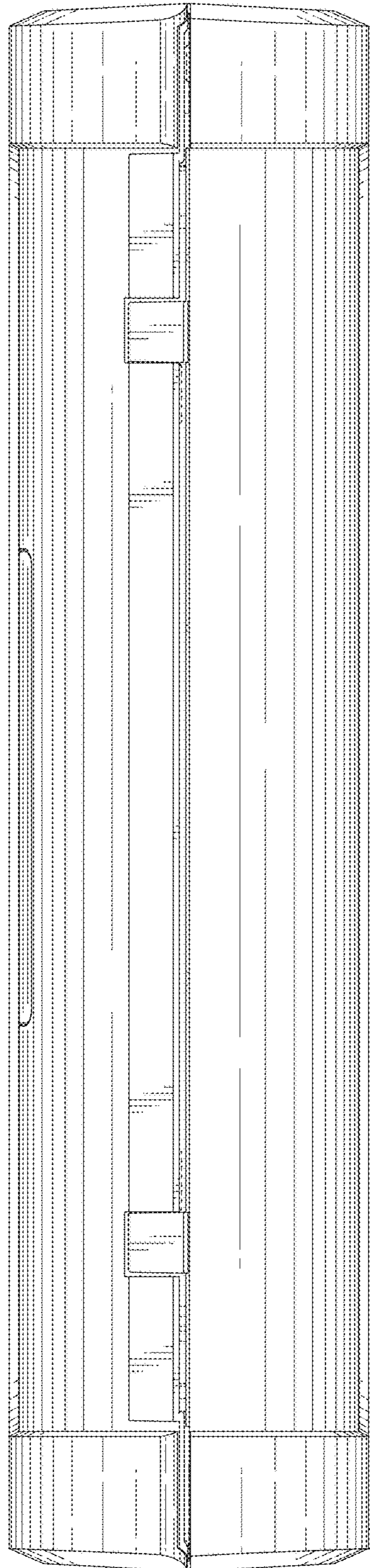


FIG. 6

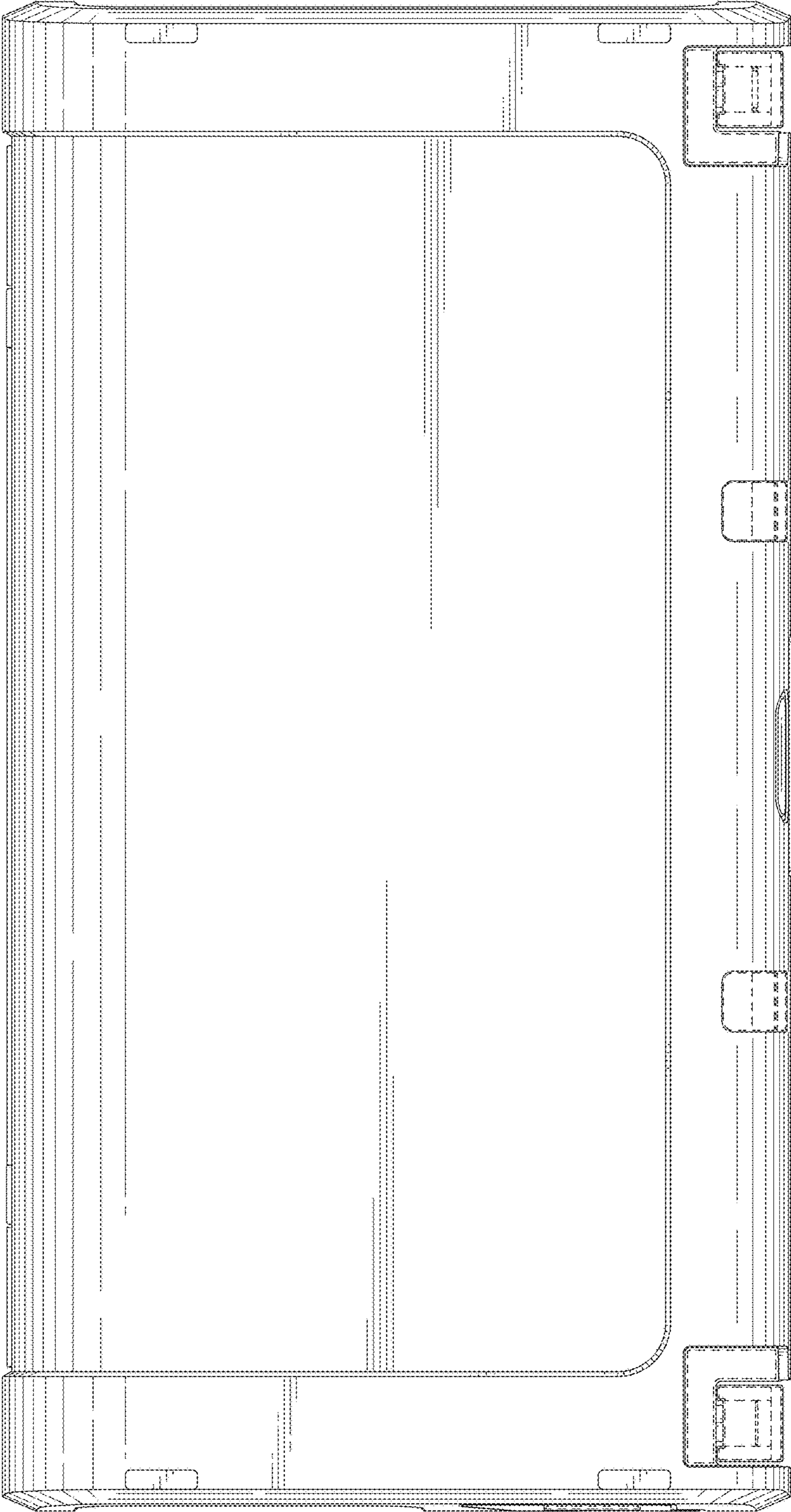


FIG. 7