



US00D786335S

(12) **United States Design Patent** (10) **Patent No.:** **US D786,335 S**
Podrow et al. (45) **Date of Patent:** **** May 9, 2017**

(54) **EYEWEAR**
(71) Applicant: **ViewMax Solutions LLC**, Fayetteville, AR (US)
(72) Inventors: **Anthony Steven Podrow**, Maple Ridge (CA); **Christopher Lynn Owens**, Fayetteville, AR (US)
(73) Assignee: **ViewMax Solutions LLC** AR (US)
(**) Term: **15 Years**
(21) Appl. No.: **29/559,916**

D354,968 S * 1/1995 Jannard D16/101
D359,977 S * 7/1995 Taber D16/315
D387,191 S * 12/1997 Berke D16/304
D391,040 S * 2/1998 Berke D16/304
D473,893 S * 4/2003 Wang-Lee D16/314
D533,572 S * 12/2006 Howard D16/101
D544,013 S * 6/2007 Curci D16/312
D548,251 S * 8/2007 Broersma D16/101
D568,917 S * 5/2008 Yee D16/101
D568,918 S * 5/2008 Yee D16/101
D571,838 S * 6/2008 Yee D16/101
D574,025 S * 7/2008 Yee D16/101
D574,405 S * 8/2008 Yee D16/101
D590,431 S * 4/2009 Chen D16/314
D611,521 S * 3/2010 Lampru D16/314

(Continued)

(22) Filed: **Mar. 31, 2016**
(51) **LOC (10) Cl.** **16-06**
(52) **U.S. Cl.**
USPC **D16/330**
(58) **Field of Classification Search**
USPC D16/101, 300-342, 900; D29/109-110;
D21/483, 659-661; D14/372; 351/41,
351/44, 45-48, 51-52, 62, 158, 92,
351/103-123, 140-153, 63, 59; 2/13, 15,
2/426-432, 447-449, 441, 434-437
CPC G02C 2200/08; G02C 1/06; G02C 5/14;
G02C 11/02; G02C 11/04; G02C 5/16;
G02C 2200/22; G02C 5/146; G02C
5/2254; G02C 5/008; G01C 5/16; A61M
2021/0044; A63B 33/002
See application file for complete search history.

OTHER PUBLICATIONS

Ease-In Shields, [online], [site visited Dec. 20, 2016]. Available from Internet, <<http://www.viewmaxsolutions.com/>>.*

Primary Examiner — Eric Goodman
Assistant Examiner — Sanjeev Paul
(74) *Attorney, Agent, or Firm* — Knobbe Martens Olson & Bear, LLP

(57) **CLAIM**

The ornamental design for eyewear, as shown and described.

DESCRIPTION

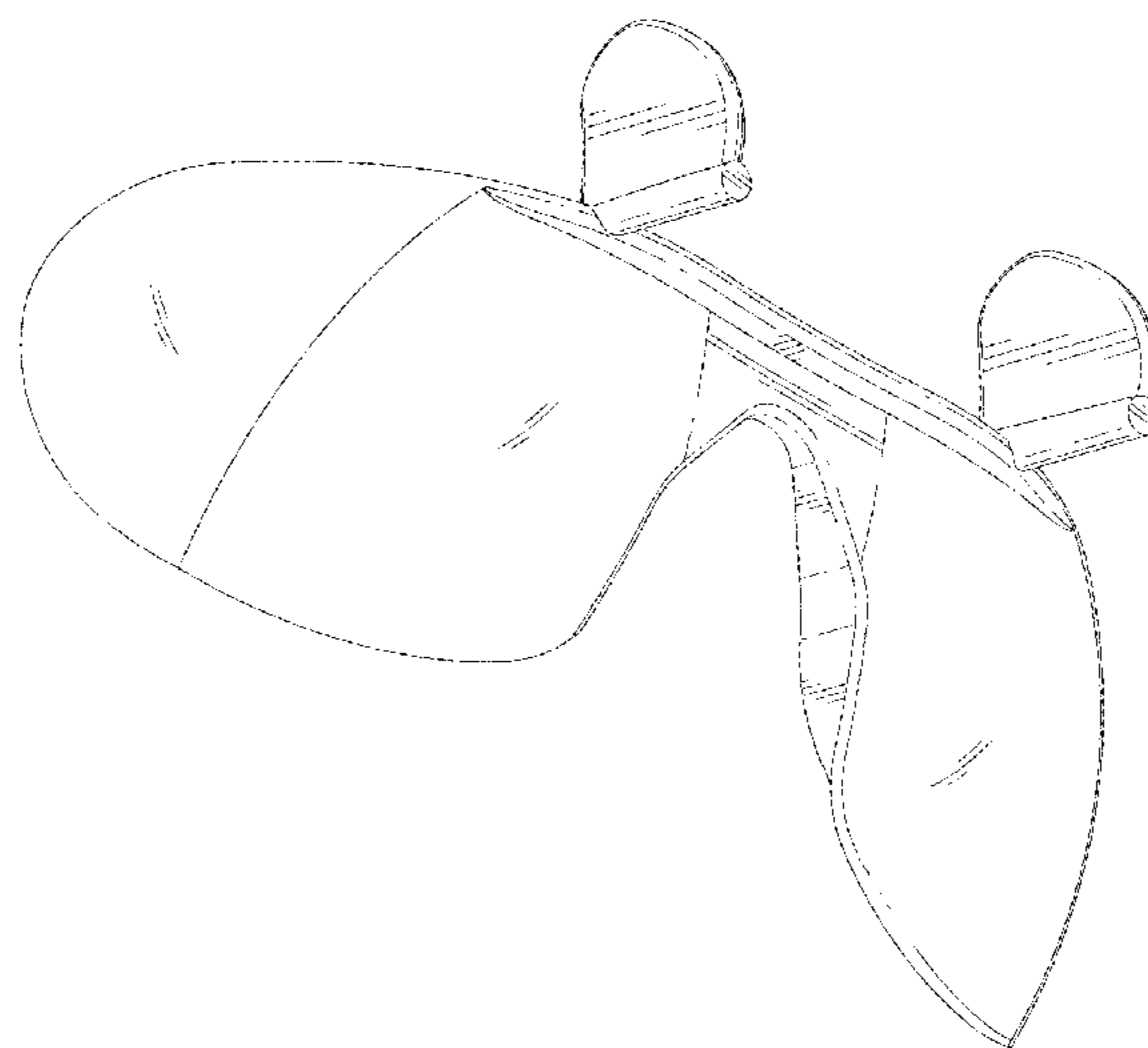
FIG. 1 is a front, bottom, left side perspective view of eyewear embodying our new design;
FIG. 2 is a back, top, left perspective view thereof.
FIG. 3 is a front, top, right perspective view thereof.
FIG. 4 is a front view thereof.
FIG. 5 is a rear view thereof
FIG. 6 is a left side view thereof, the right side view being a mirror image of the left side view.
FIG. 7 is a bottom view thereof; and,
FIG. 8 is a top view thereof.

1 Claim, 7 Drawing Sheets

(56) **References Cited**

U.S. PATENT DOCUMENTS

D208,070 S * 7/1967 Boxer 2/12
D290,964 S * 7/1987 Kalbach D16/338
D301,250 S * 5/1989 Stephens D16/316
D328,468 S * 8/1992 Jannard D16/101
D331,763 S * 12/1992 Jannard D16/101
D333,145 S * 2/1993 Jannard D16/101
D335,887 S * 5/1993 Jannard D16/101



(56)

References Cited

U.S. PATENT DOCUMENTS

D624,954	S *	10/2010	Yoshikawa	D16/306
D700,929	S *	3/2014	McNeal	D16/312
D721,758	S *	1/2015	Cazalet	D16/314
D725,690	S *	3/2015	Garfias	D16/101
D741,326	S *	10/2015	Bosveld	D14/372
D744,565	S *	12/2015	Thixton	D16/101
D752,669	S *	3/2016	Garfias	D16/101
D753,212	S *	4/2016	Kueblbeck	D16/306
D757,833	S *	5/2016	Pfanner	D16/101
D768,747	S *	10/2016	Garfias	D16/101
D768,748	S *	10/2016	Yoo	D16/101
2010/0060847	A1 *	3/2010	Shintani	G02C 11/08 351/109
2015/0234200	A1 *	8/2015	Chou	G02C 1/04 351/105
2015/0261007	A1 *	9/2015	Li	G02C 1/04 351/106
2016/0085091	A1 *	3/2016	Chu	G02C 11/08 351/62

* cited by examiner

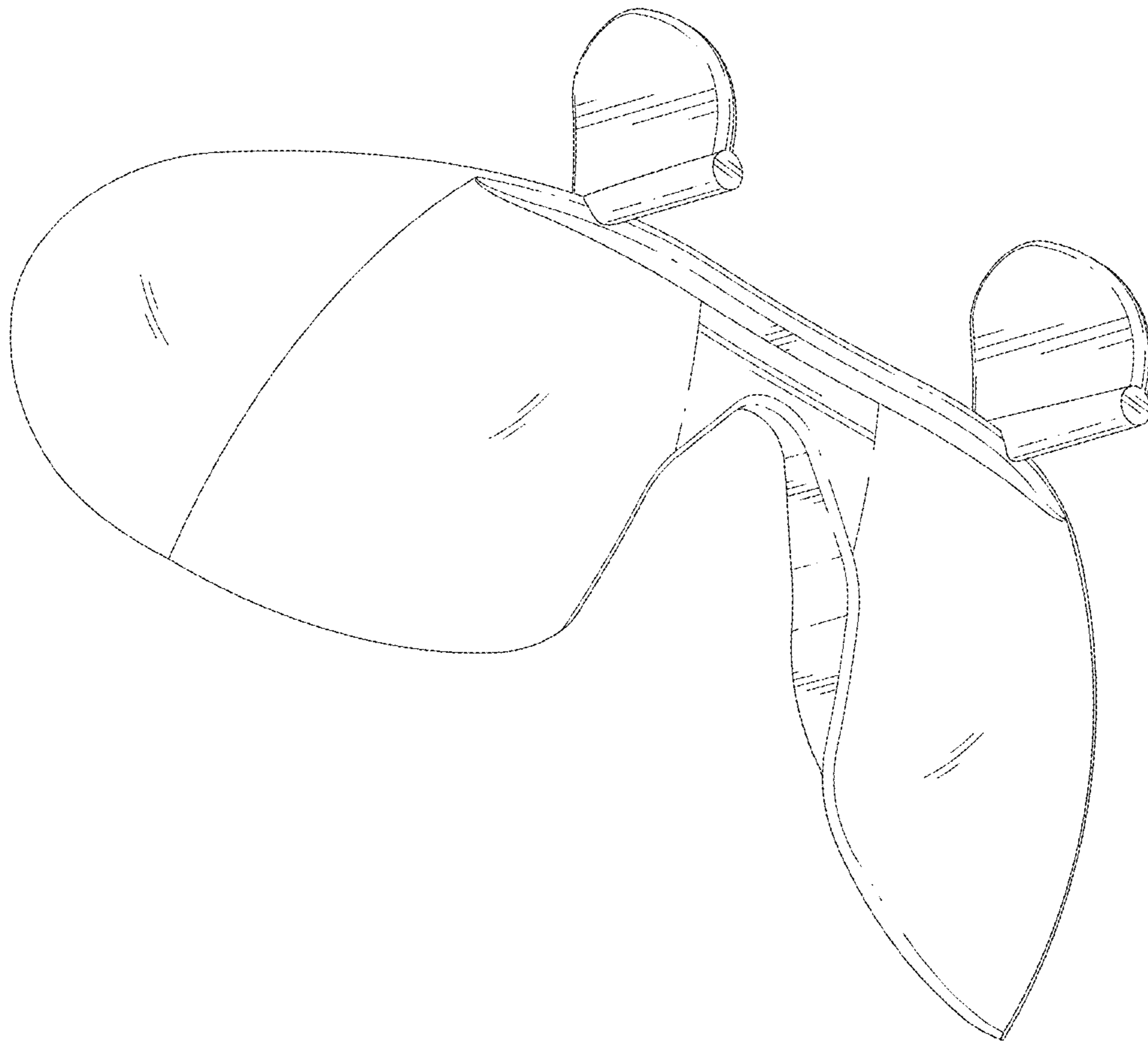


FIG. 1

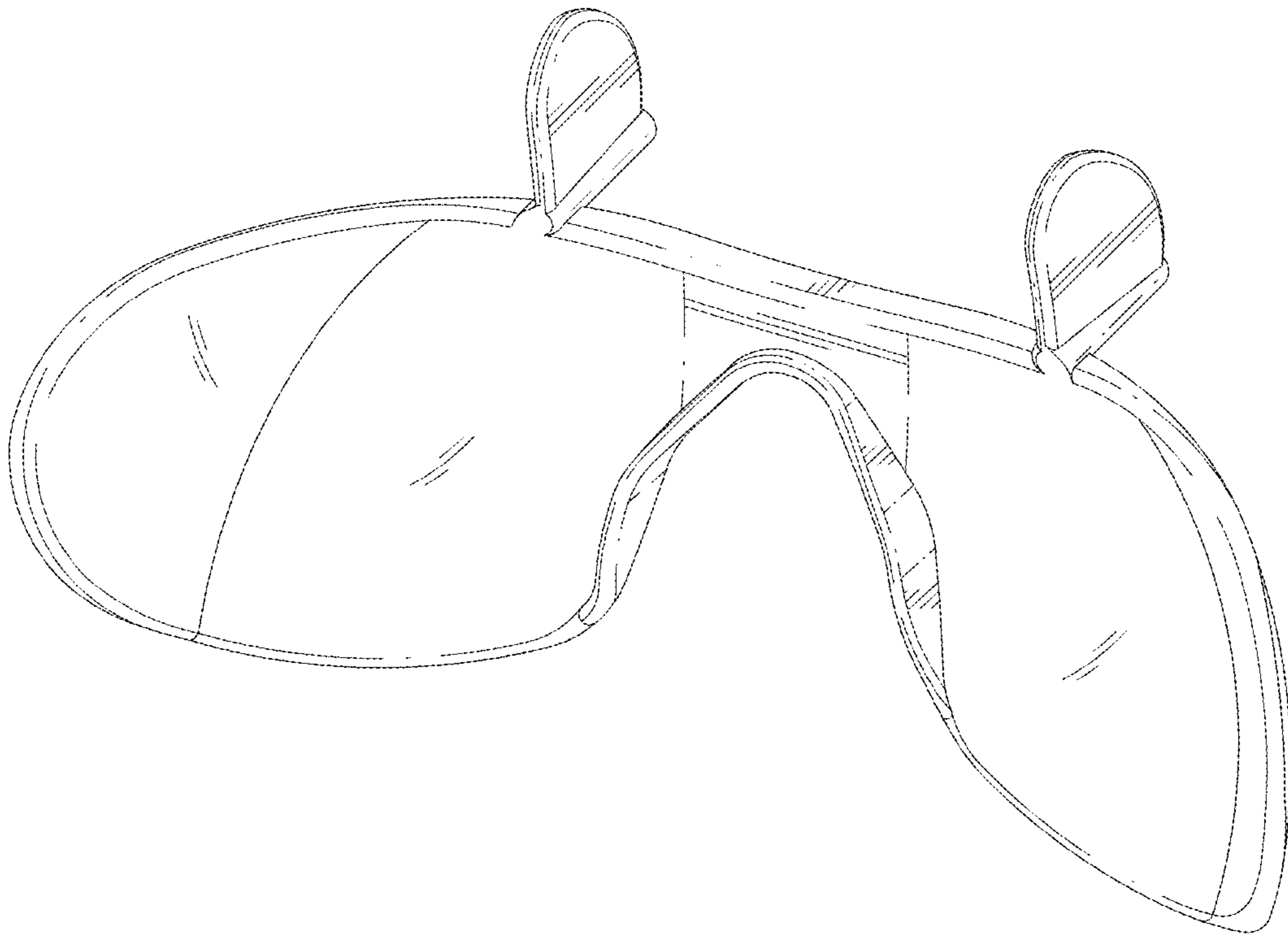


FIG. 2

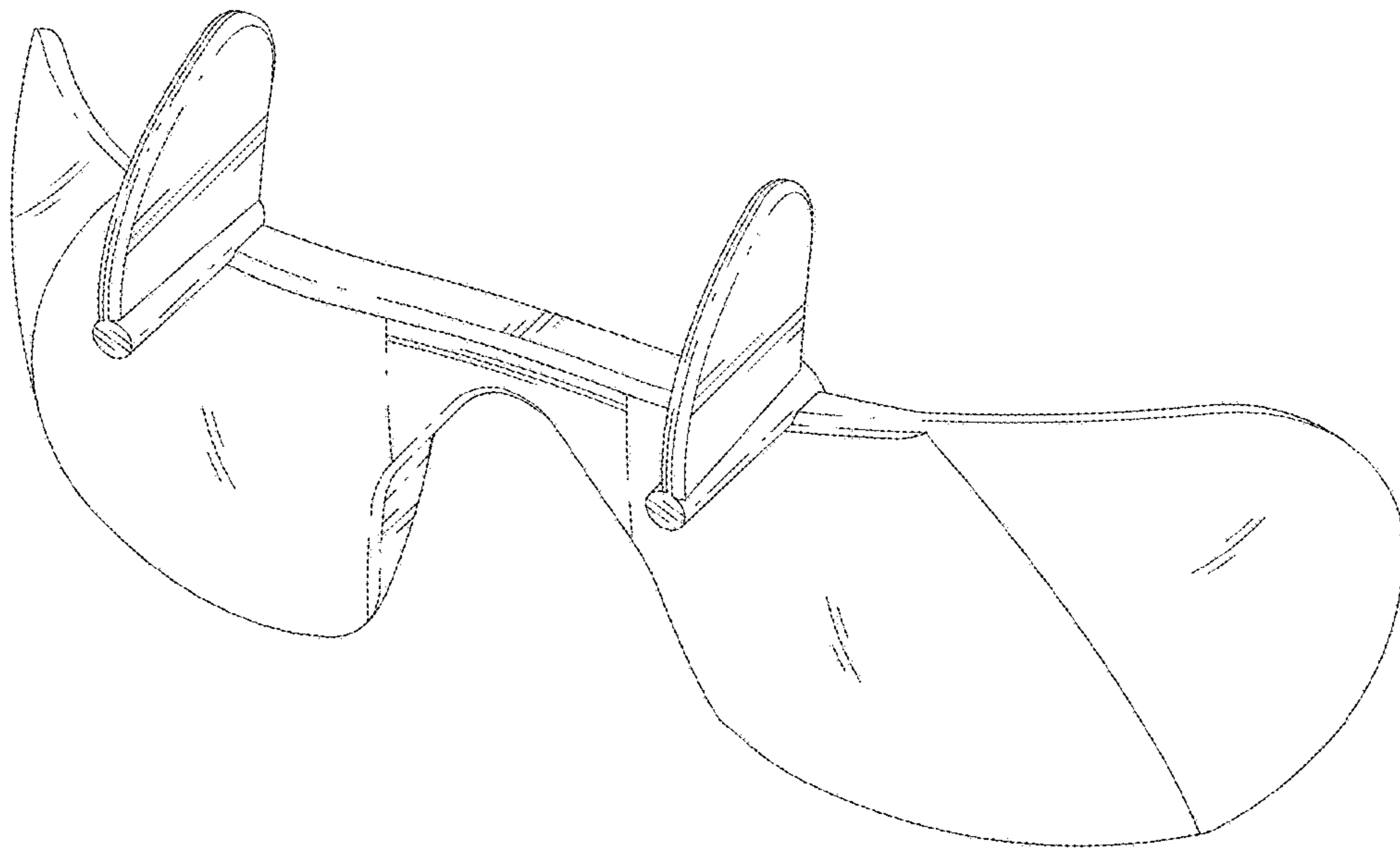


FIG. 3

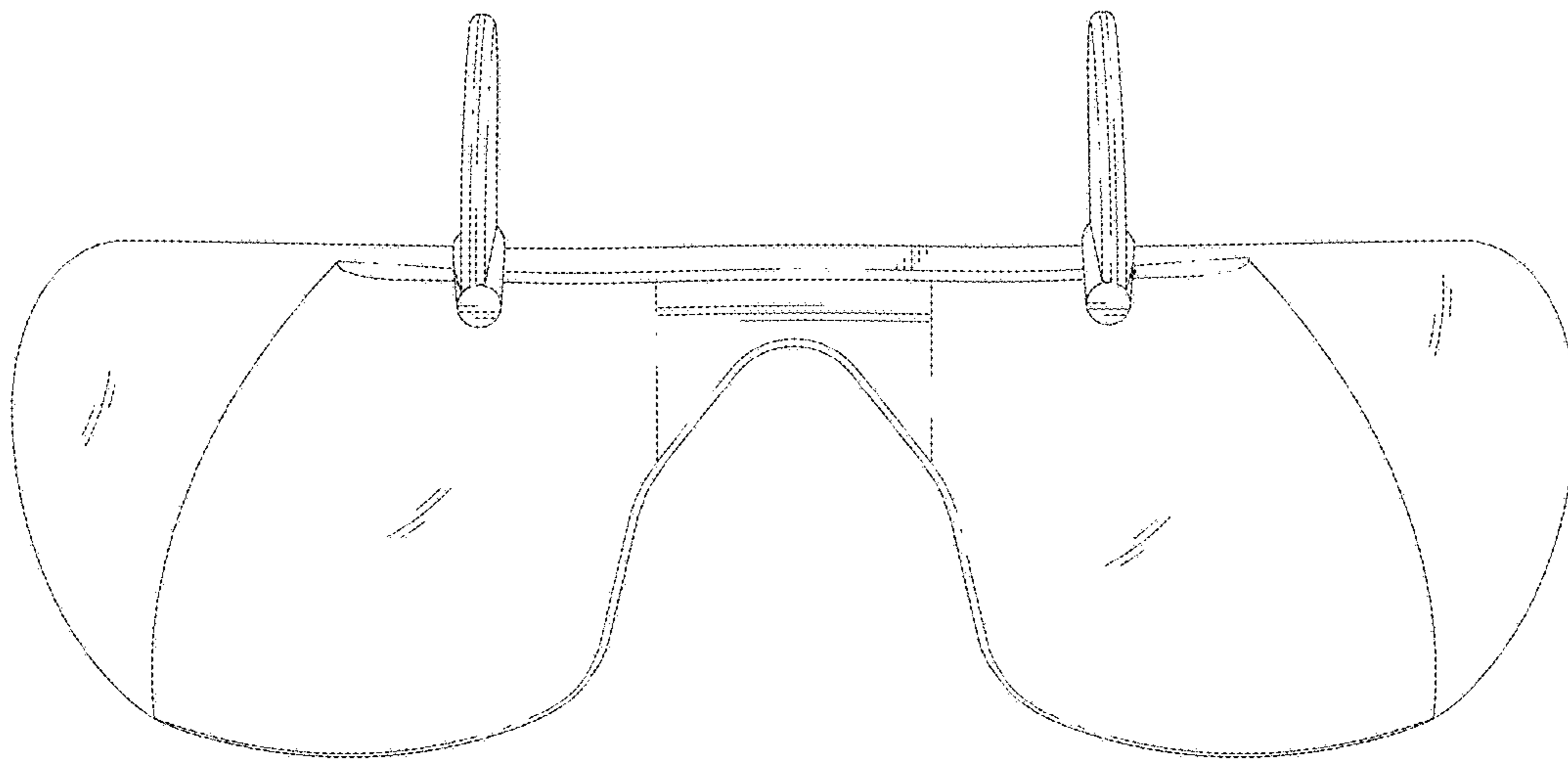


FIG. 4

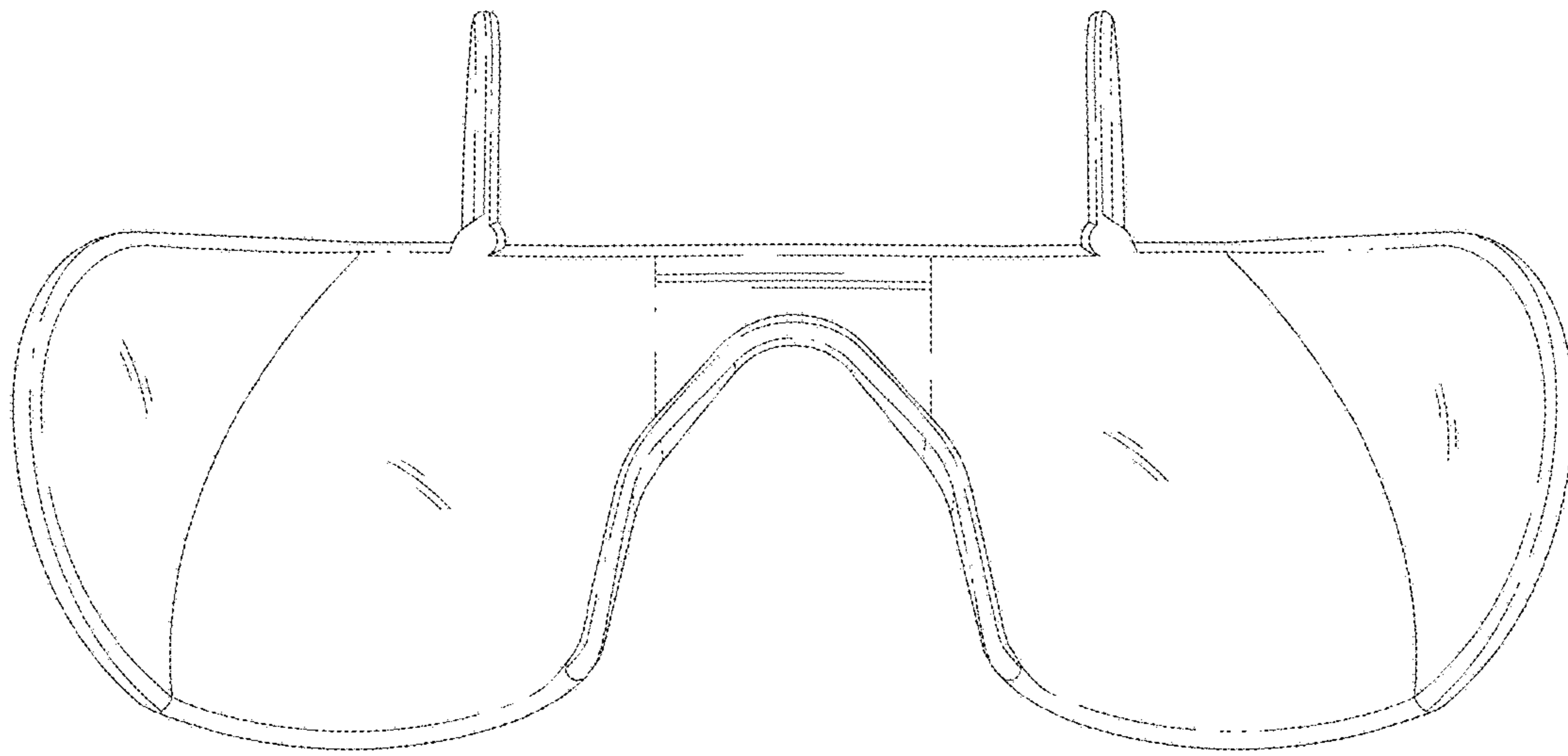


FIG. 5

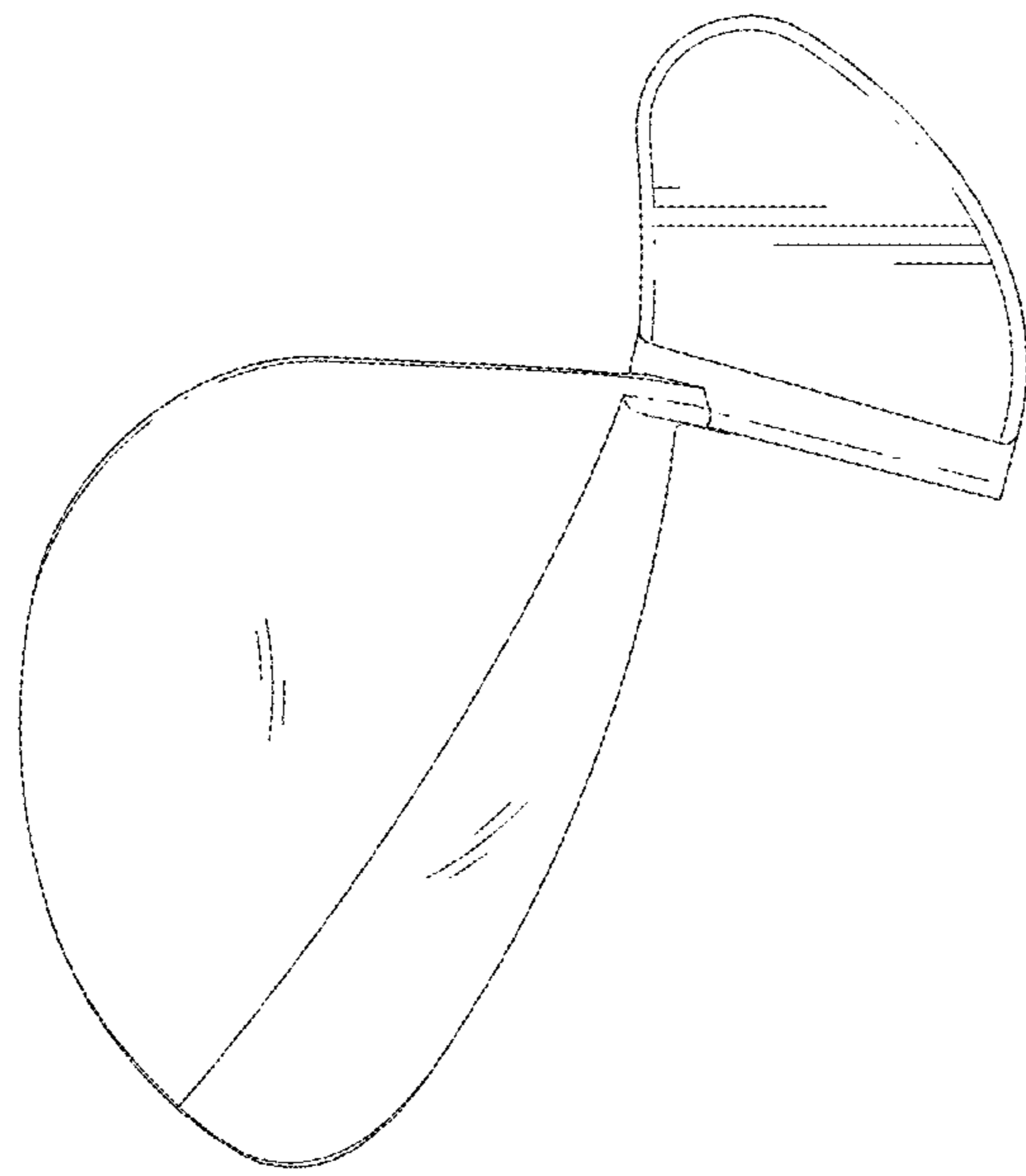


FIG. 6

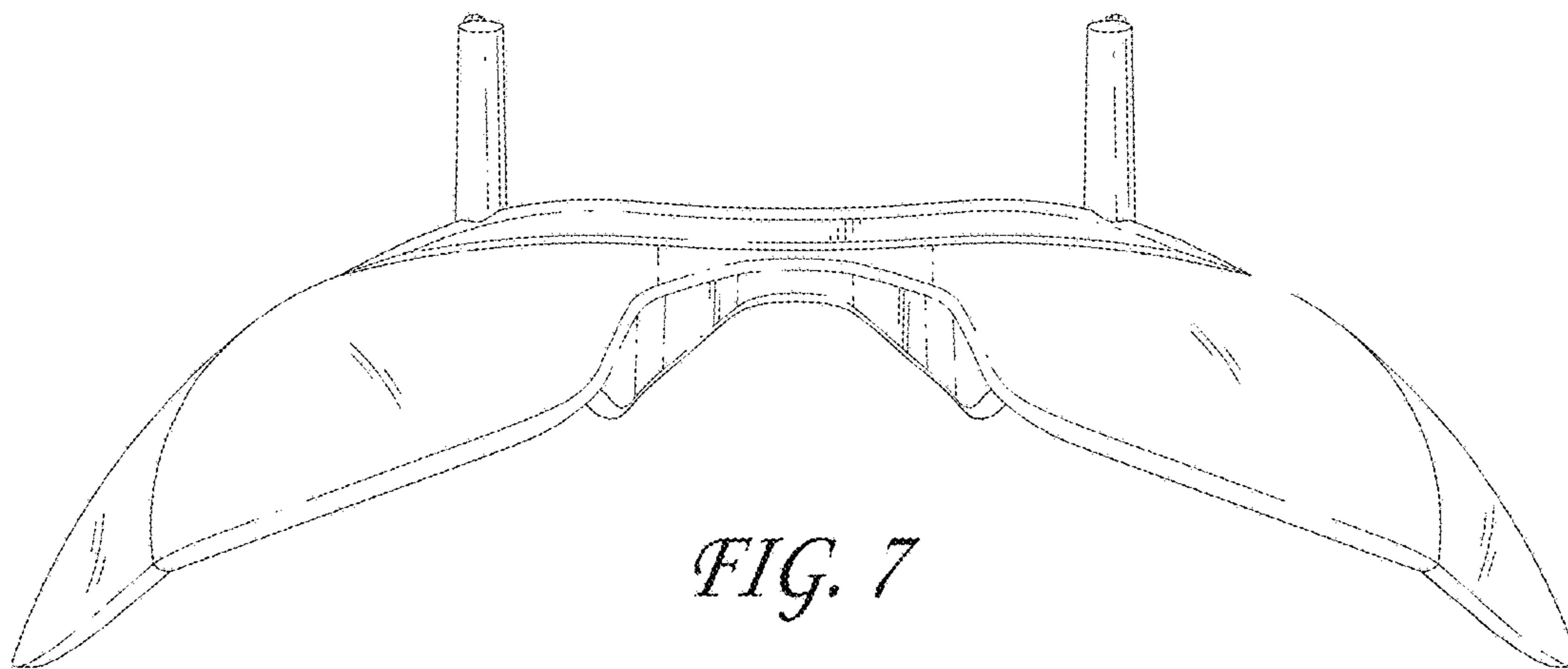


FIG. 7

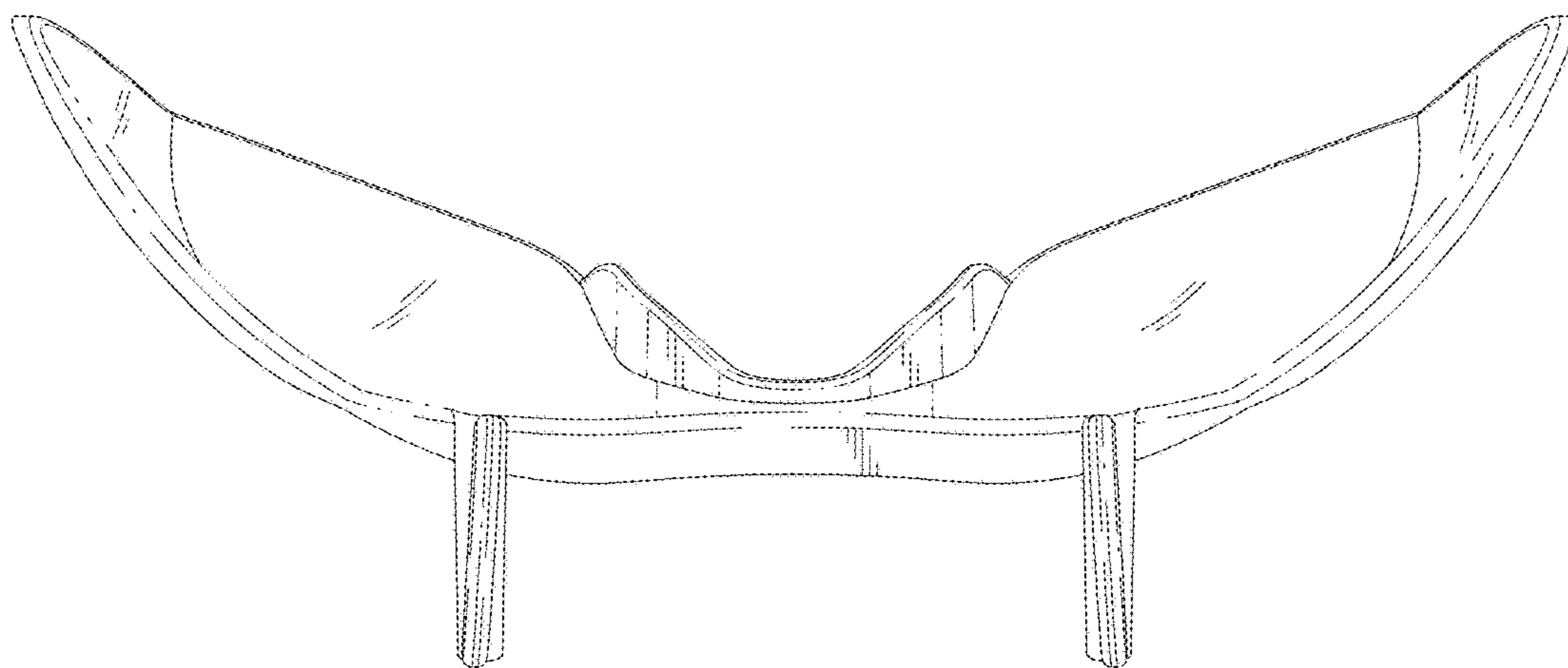


FIG. 8