



US00D786332S

(12) **United States Design Patent** (10) **Patent No.:** **US D786,332 S**  
**Brandis et al.** (45) **Date of Patent:** **\*\* May 9, 2017**

(54) **SAFETY GOGGLE**

(56) **References Cited**

(71) Applicant: **UVEX ARBEITSSCHUTZ GMBH,**  
Fürth (DE)

U.S. PATENT DOCUMENTS

(72) Inventors: **Michael Brandis,** Nürnberg (DE);  
**Nadine Sauerwein,** Nürnberg (DE)

D270,165 S *	8/1983	Burns .....	D16/315
D552,664 S *	10/2007	Cheng .....	D16/315
D555,705 S *	11/2007	Chuang .....	D16/326
D593,594 S *	6/2009	Wang-Lee .....	D16/315
D616,014 S *	5/2010	Yang .....	D16/315
D639,845 S *	6/2011	Fuchs .....	D16/315
D671,979 S *	12/2012	Fuchs .....	D16/315
D683,784 S *	6/2013	Miera .....	D16/314
D690,763 S *	10/2013	Lee .....	D16/315
D725,176 S *	3/2015	Markovitz .....	D16/315
D758,477 S *	6/2016	Beliveau .....	D16/315

(73) Assignee: **UVEX ARBEITSSCHUTZ GMBH,**  
Fürth (DE)

(\*\*) Term: **15 Years**

\* cited by examiner

(21) Appl. No.: **29/550,086**

(22) Filed: **Dec. 30, 2015**

*Primary Examiner* — Raphael Barkai

(30) **Foreign Application Priority Data**

(74) *Attorney, Agent, or Firm* — McGlew and Tuttle, P.C.

Oct. 23, 2015 (DE) ..... 40 2015 101 138

(57) **CLAIM**

(51) **LOC (10) Cl.** ..... **16-06**

The ornamental design for a safety goggle, as shown and described.

(52) **U.S. Cl.**  
USPC ..... **D16/315; D16/335; D16/320; D16/321**

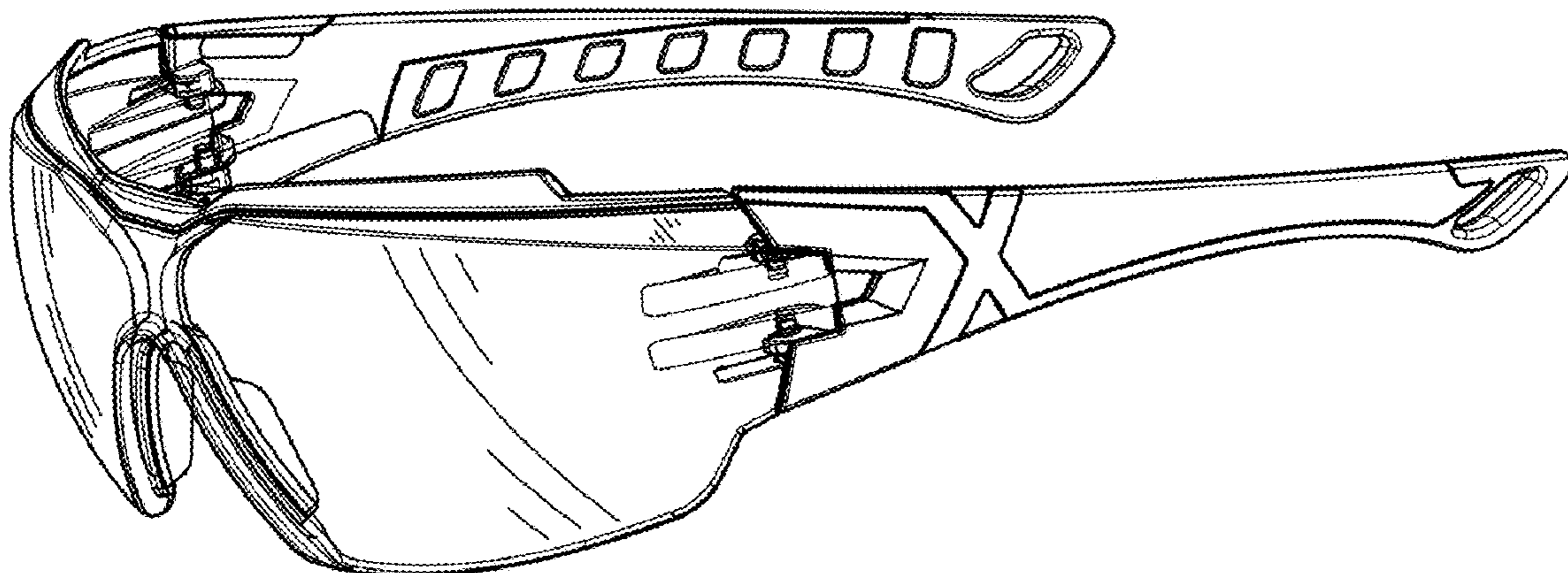
**DESCRIPTION**

(58) **Field of Classification Search**  
USPC ..... D16/101, 300–342, 900; D29/109–110;  
351/41, 44, 51–52, 62, 158, 92, 103–123,  
351/140–153, 63, 59, 45–48; 2/426–432,  
2/447–449, 441, 434–437, 440, 442, 13,  
2/15; D21/483, 659–661; D14/372;  
D8/356  
CPC ..... G02C 2200/08; G02C 1/06; G02C 5/14;  
G02C 11/02; G02C 11/04; G01C 5/16;  
A61M 2021/0044; A63B 33/002

FIG. 1 is a front view of a safety goggle, showing our new design;  
FIG. 2 is a rear view thereof;  
FIG. 3 is a top view thereof;  
FIG. 4 is a bottom view thereof;  
FIG. 5 is a lateral view (right side) thereof;  
FIG. 6 is a lateral view (left side) thereof; and,  
FIG. 7 is a perspective view thereof.

See application file for complete search history.

**1 Claim, 7 Drawing Sheets**



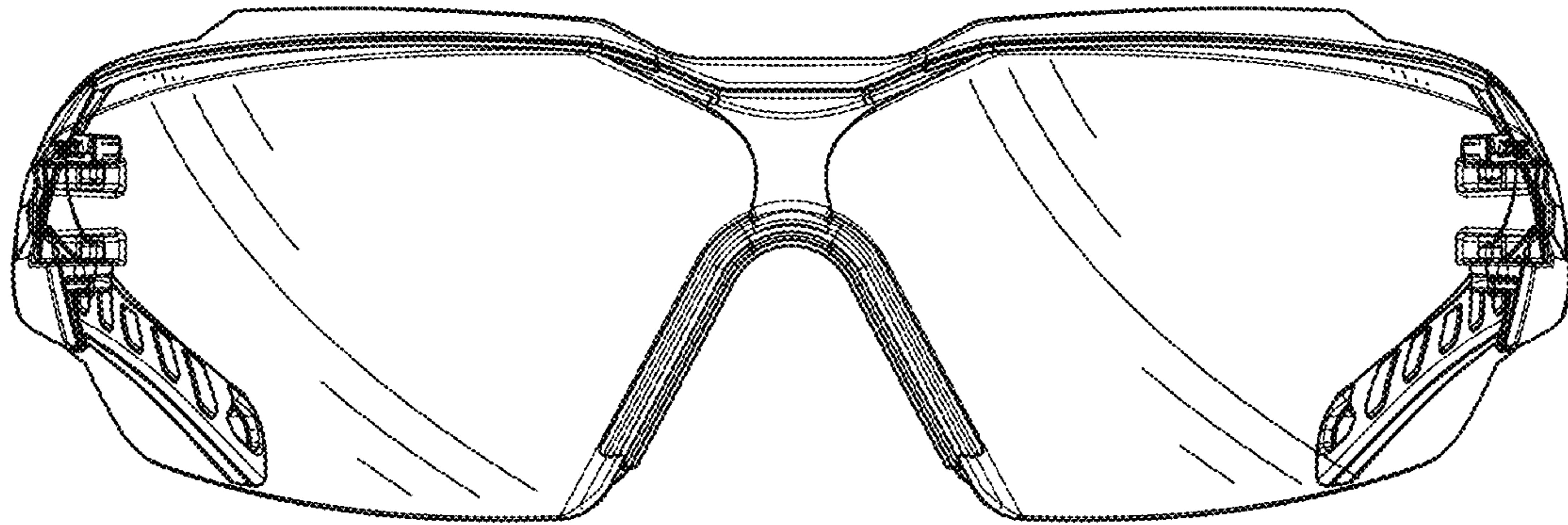


FIG. 1

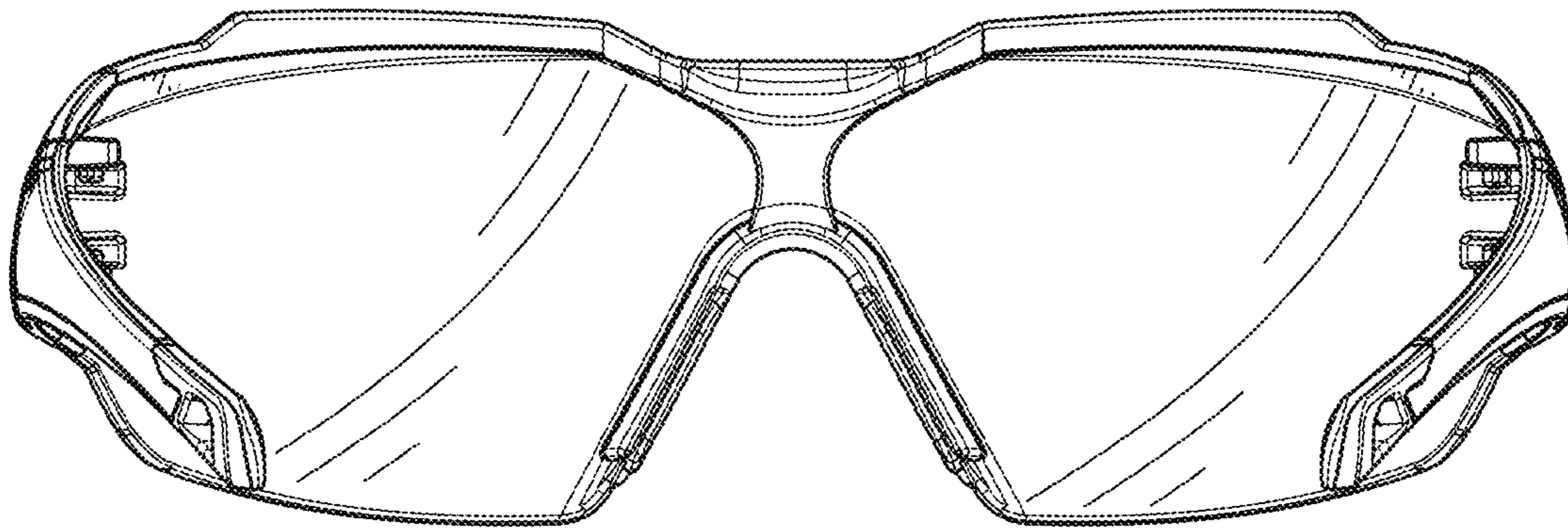


FIG. 2



FIG. 3



FIG. 4

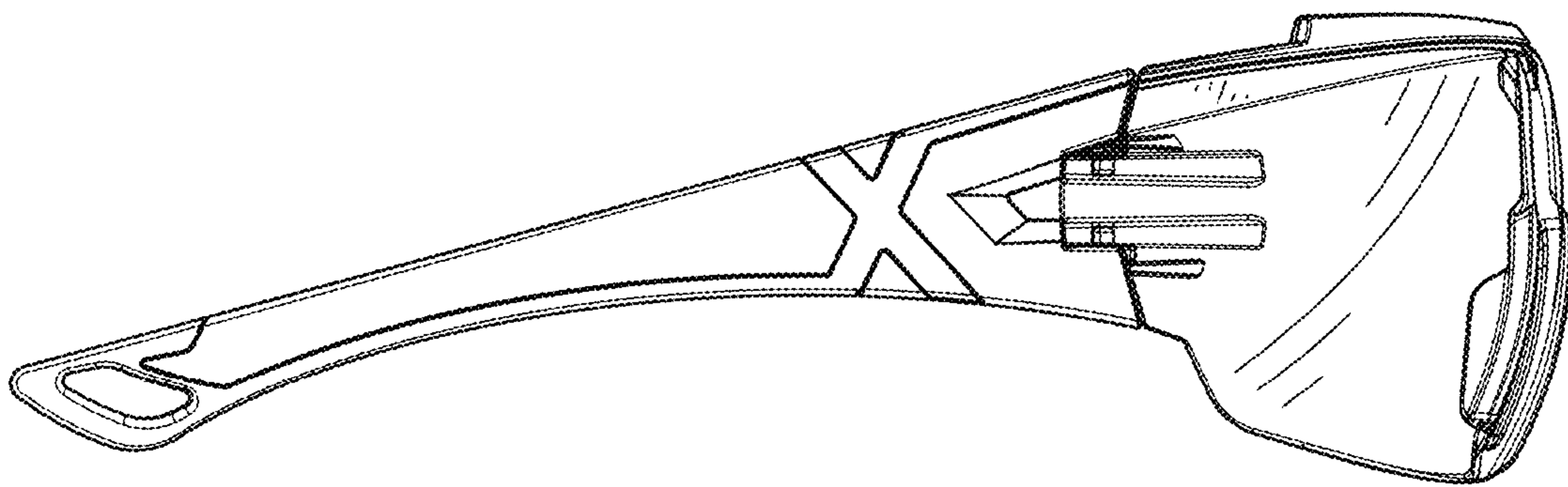


FIG. 5

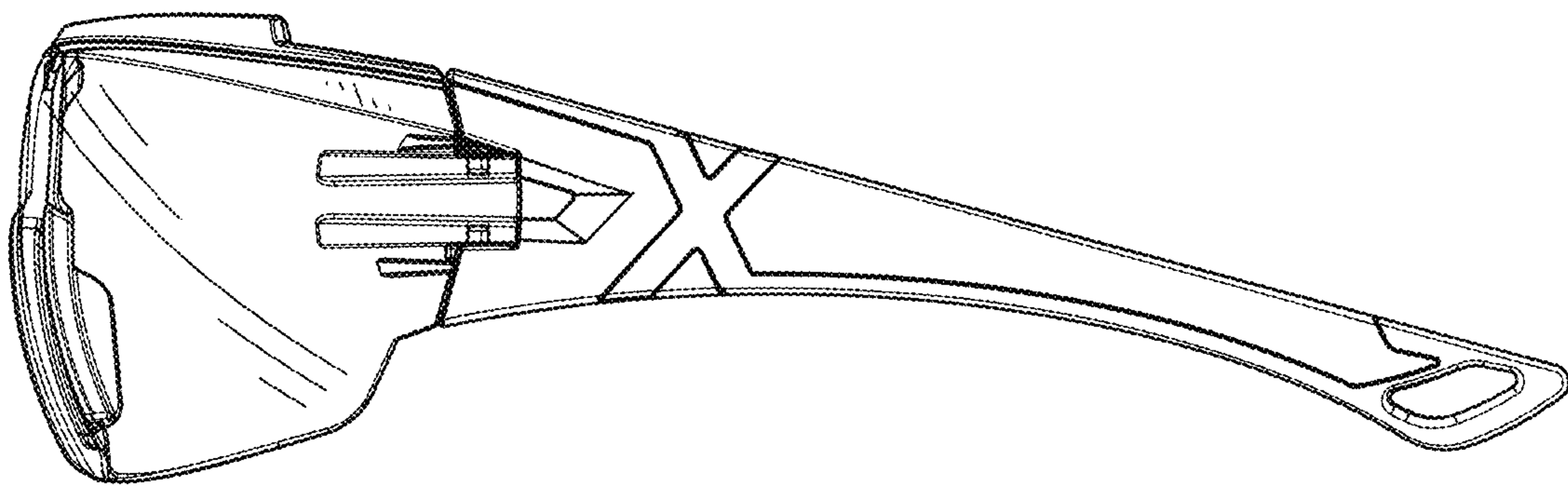


FIG. 6

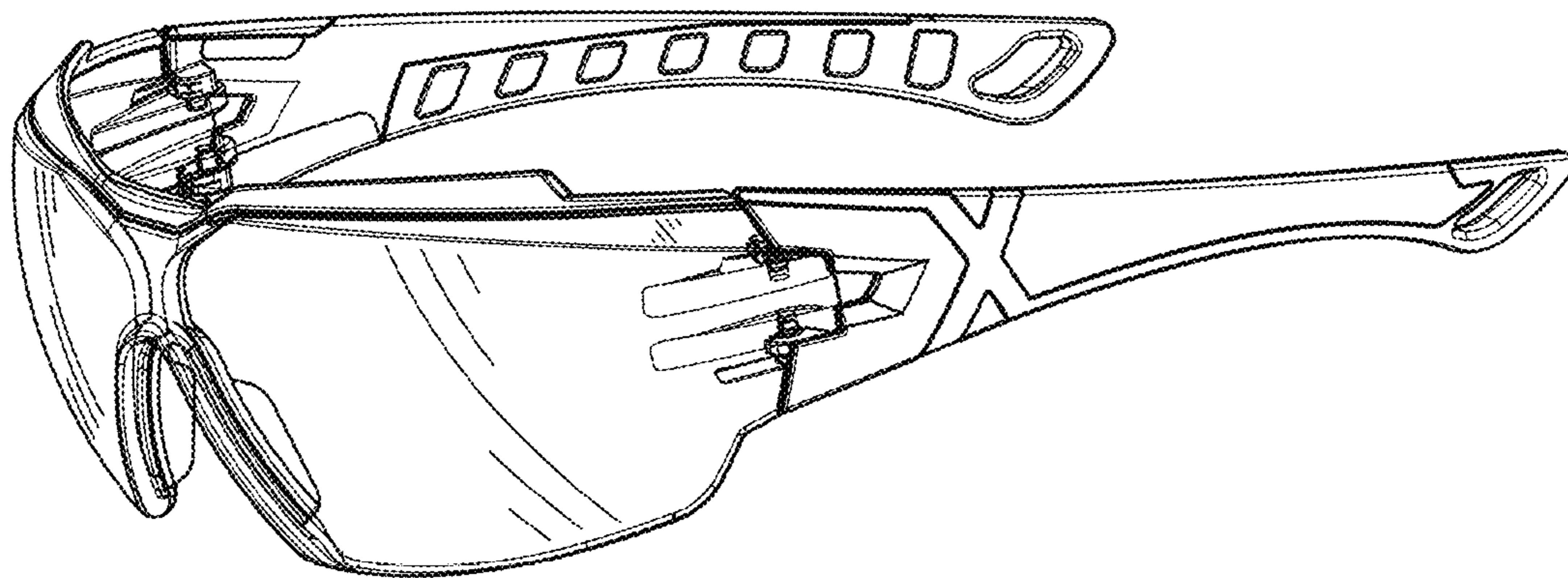


FIG. 7