



US00D786331S

(12) **United States Design Patent**
van Hoff et al.

(10) **Patent No.:** **US D786,331 S**

(45) **Date of Patent:** **** May 9, 2017**

(54) **CAMERA ASSEMBLY**

(71) Applicant: **Jaunt Inc.**, Palo Alto, CA (US)

(72) Inventors: **Arthur van Hoff**, Palo Alto, CA (US);
Thomas M. Annau, Palo Alto, CA
(US); **Jens Christensen**, Palo Alto, CA
(US); **Koji Gardiner**, Palo Alto, CA
(US); **Punit Govenji**, Palo Alto, CA
(US); **James Dunn**, Palo Alto, CA (US)

(73) Assignee: **Jaunt Inc.**, Palo Alto, CA (US)

(**) Term: **15 Years**

(21) Appl. No.: **29/539,428**

(22) Filed: **Sep. 14, 2015**

(51) **LOC (10) Cl.** **16-05**

(52) **U.S. Cl.**
USPC **D16/219**

(58) **Field of Classification Search**
USPC D16/200, 210, 211, 218, 219, 202-206,
D16/208, 217; D9/414, 418, 427, 430,
D9/432; D6/517, 524, 527, 528, 531,
D6/535, 559; D14/174, 194, 204, 221;
348/148, 372-376; 396/529, 535,
396/539-541

CPC G03B 15/03; G03B 17/02; G03B 17/04;
G03B 17/56; G03B 19/04; G03B 1/00;
G03B 7/00; G03B 13/02; G03B 13/04;
G03B 13/1963; H04N 5/2251; H04N
5/2252; H04N 5/2253; H04N 5/2254

See application file for complete search history.

(56) **References Cited**

U.S. PATENT DOCUMENTS

D382,578 S * 8/1997 Cieslikowski D16/200
D441,386 S * 5/2001 Yamazaki D16/203

D504,904 S * 5/2005 Nagai D16/203
D647,554 S * 10/2011 Yim D16/204
D696,707 S * 12/2013 Guastadini D16/202
D728,657 S * 5/2015 Yamashita D16/218
D750,690 S * 3/2016 Lee D16/219
D754,232 S * 4/2016 Edwards D16/208
D757,147 S * 5/2016 Edwards D16/208
D759,145 S * 6/2016 Lee D16/219
2002/0130963 A1 * 9/2002 Gelbard H04N 5/2254
348/360
2005/0099521 A1 * 5/2005 Bleau H04N 5/2252
348/340
2006/0017836 A1 * 1/2006 Nuno G02B 7/021
348/360
2009/0046156 A1 * 2/2009 Iwasaki G02B 7/102
348/207.1
2011/0216195 A1 * 9/2011 Tanaka H04N 5/2253
348/148

(Continued)

Primary Examiner — Robin V Webster

Assistant Examiner — Rachel Voorhies

(74) *Attorney, Agent, or Firm* — Burbage Law, P.C.;
Jon-Michael Burbage

(57) **CLAIM**

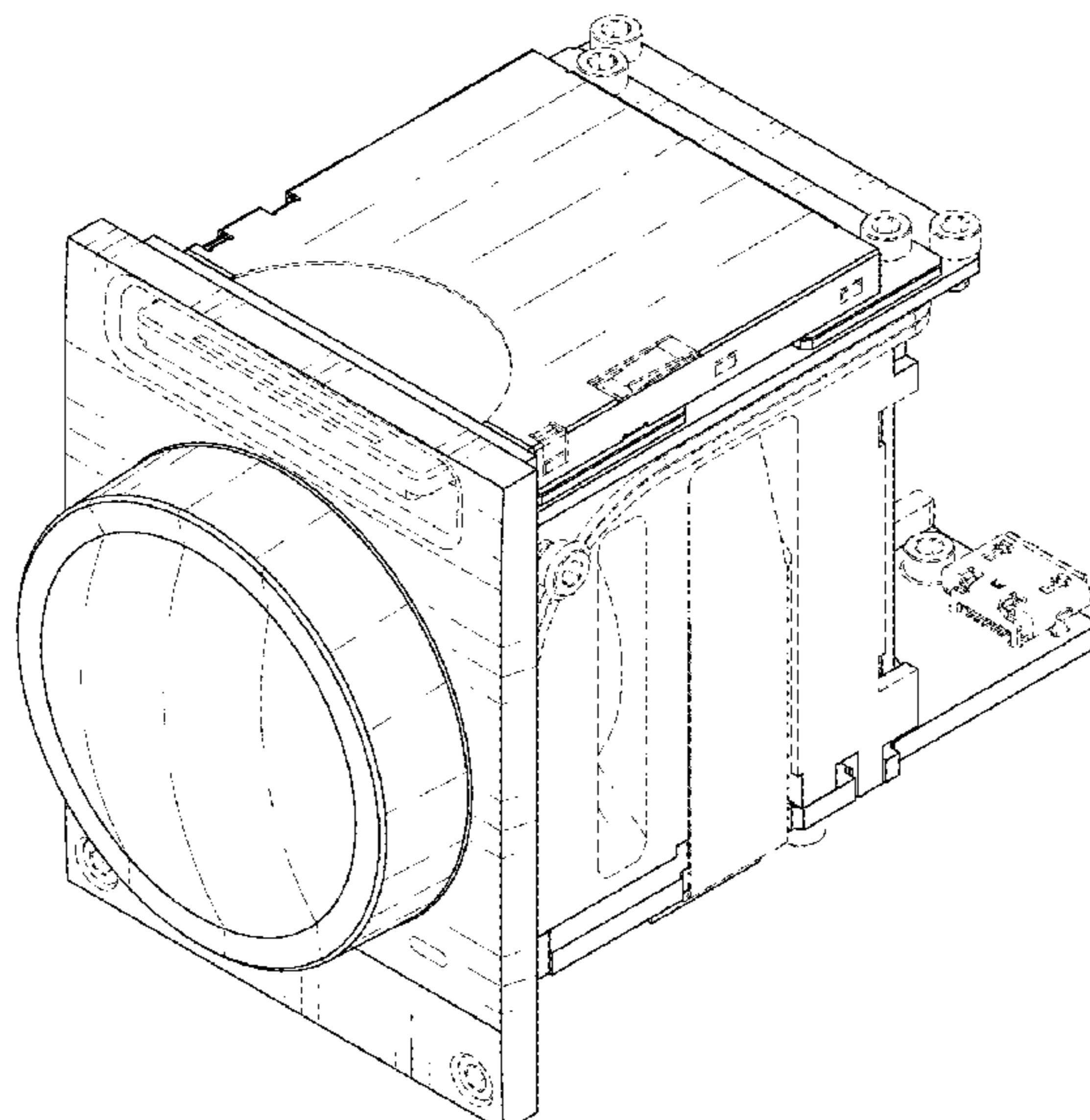
The ornamental design for the camera assembly, as shown.

DESCRIPTION

FIG. 1 is a front perspective view of the camera assembly;
FIG. 2 is back perspective view thereof;
FIG. 3 is a front view thereof;
FIG. 4 is a back view thereof;
FIG. 5 is a right side view thereof;
FIG. 6 is a left side view thereof;
FIG. 7 is a bottom view thereof; and,
FIG. 8 is a top view thereof.

The broken lines in the drawings illustrate portions of the camera assembly which form no part of the claimed design.

1 Claim, 8 Drawing Sheets



(56)

References Cited

U.S. PATENT DOCUMENTS

2011/0249120 A1* 10/2011 Bingle B60R 11/04
348/148
2011/0262122 A1* 10/2011 Minamisawa G03B 5/00
396/55
2013/0182179 A1* 7/2013 Page H04N 5/2253
348/373
2014/0153916 A1* 6/2014 Kintner G03B 17/561
396/419
2014/0160274 A1* 6/2014 Ishida G01S 19/14
348/113
2015/0029337 A1* 1/2015 Uchiyama H04N 5/2252
348/148
2015/0049202 A1* 2/2015 Okabe G03B 17/02
348/207.1
2015/0365569 A1* 12/2015 Mai B60R 11/04
348/373
2016/0112607 A1* 4/2016 Yang H04N 5/2252
348/373
2016/0191770 A1* 6/2016 Taniguchi H04N 5/2254
348/374
2016/0212308 A1* 7/2016 Ahn G03B 17/02

* cited by examiner

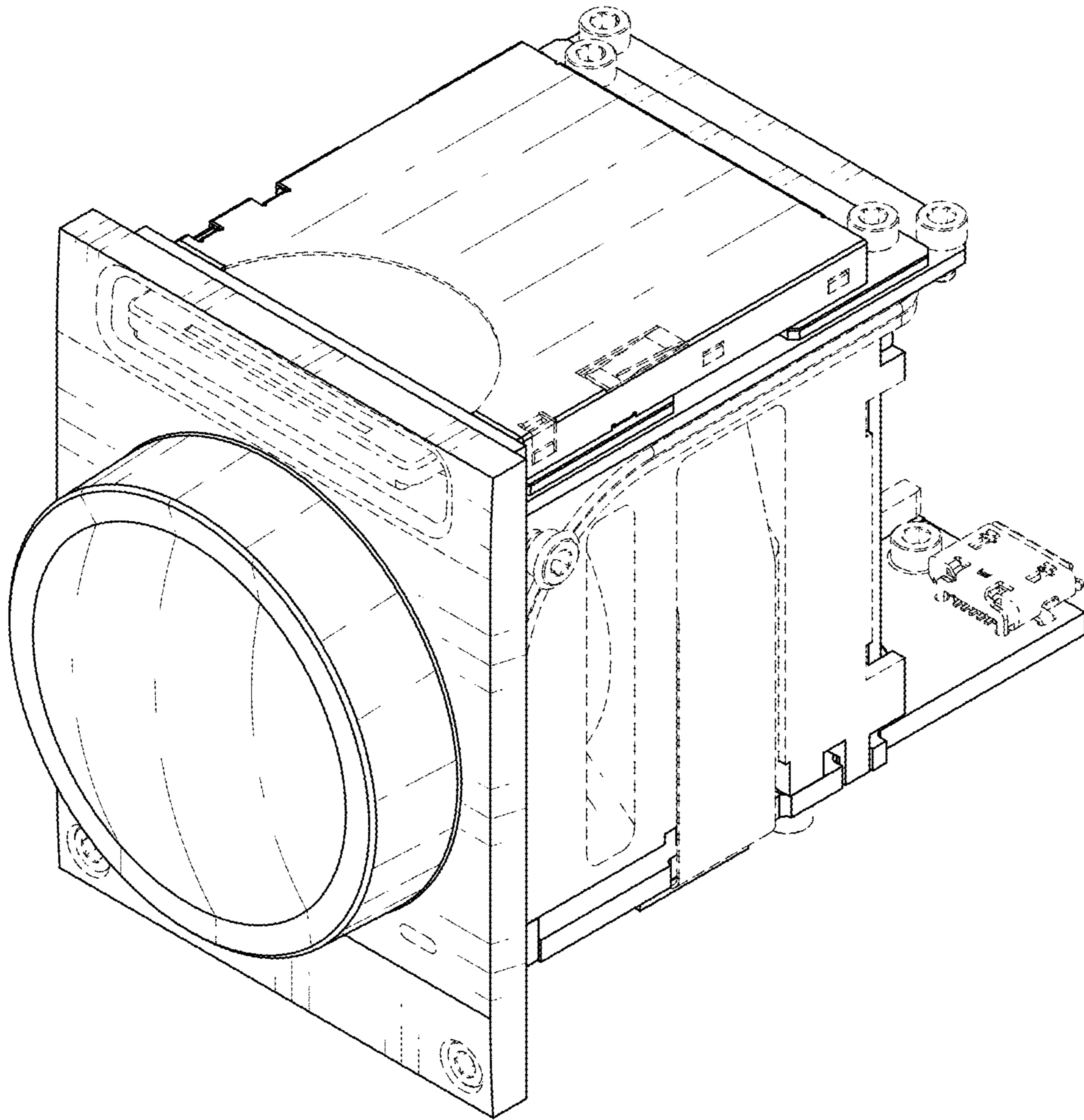


FIG. 1

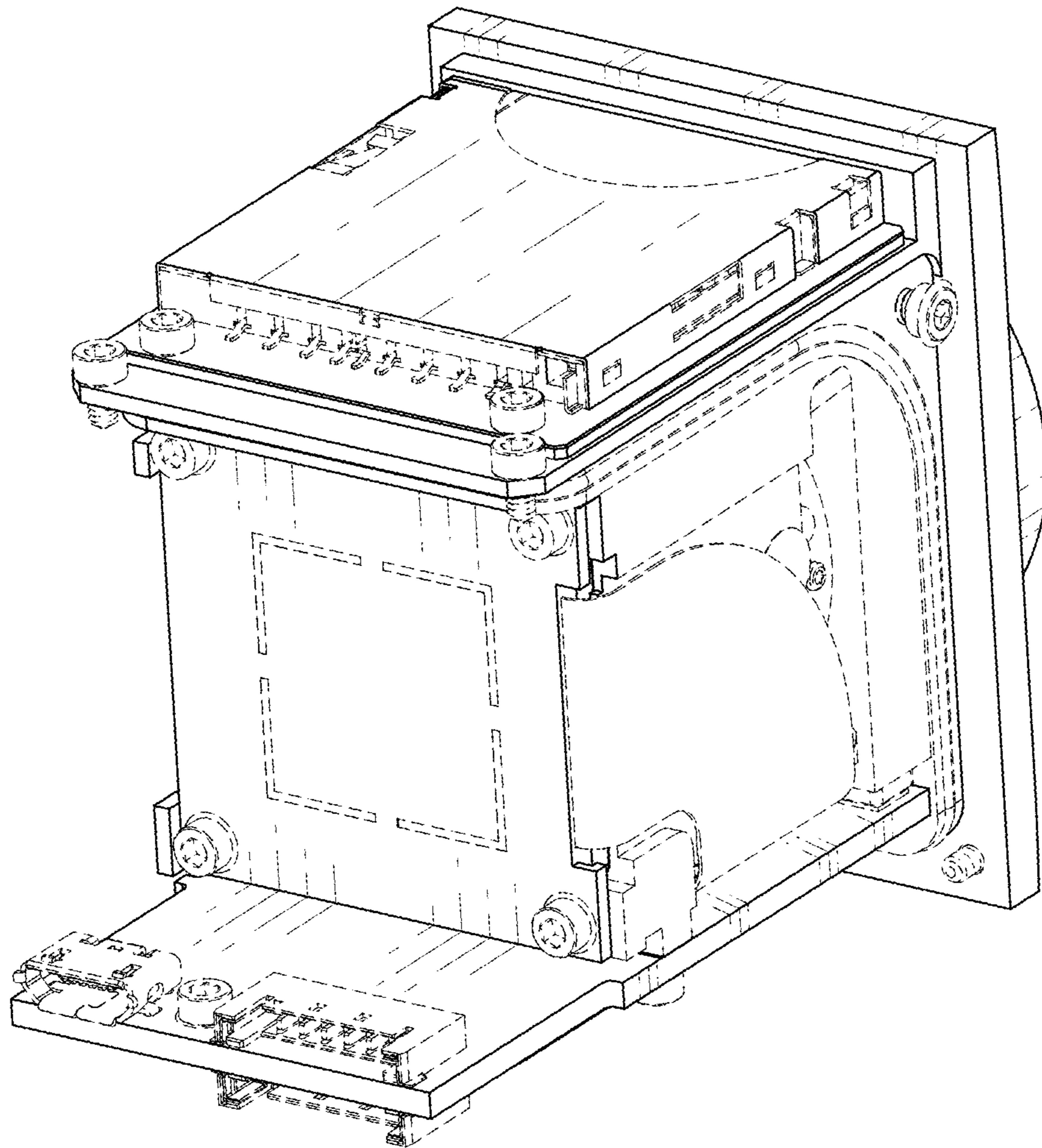


FIG. 2

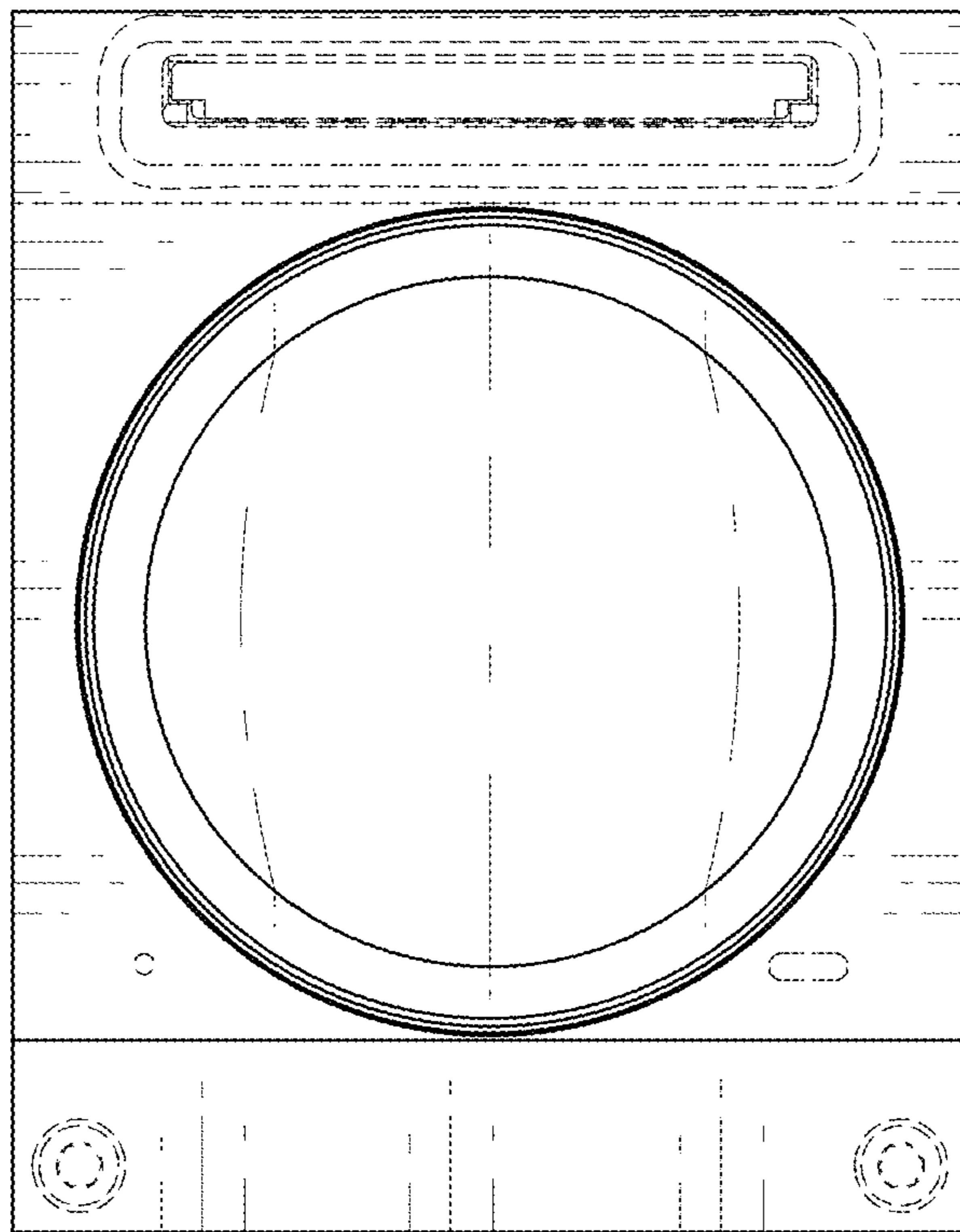


FIG. 3

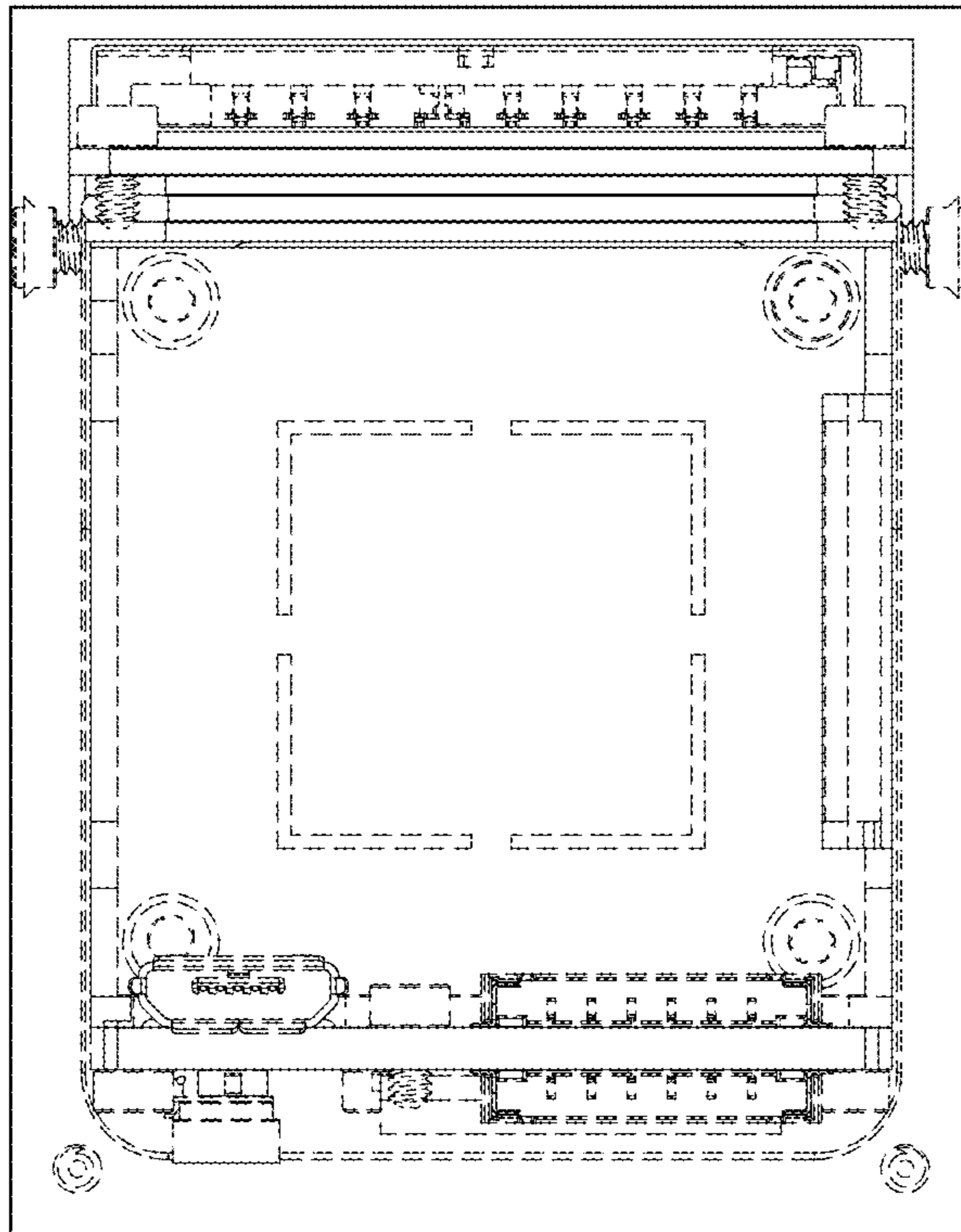


FIG. 4

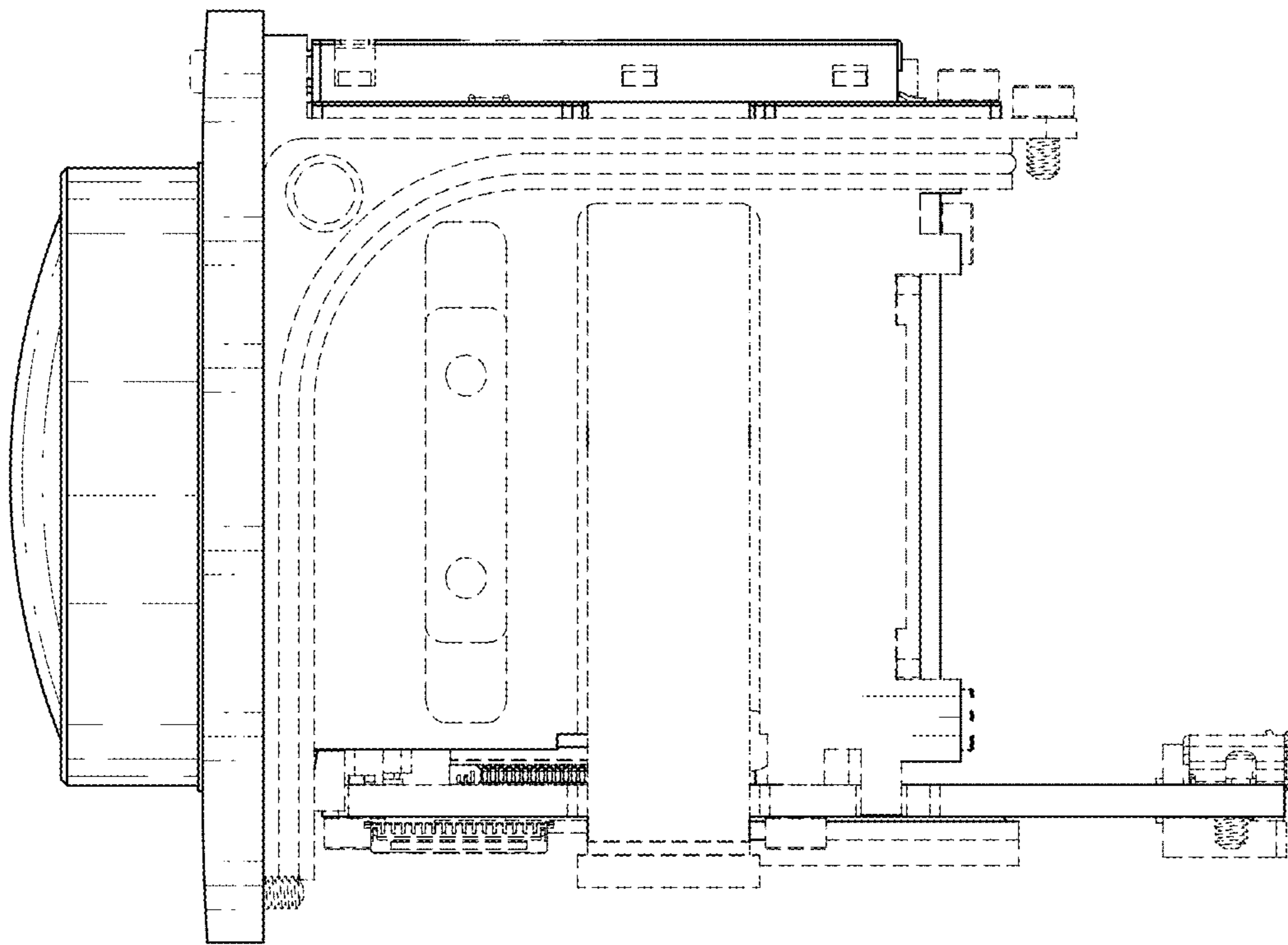


FIG. 5

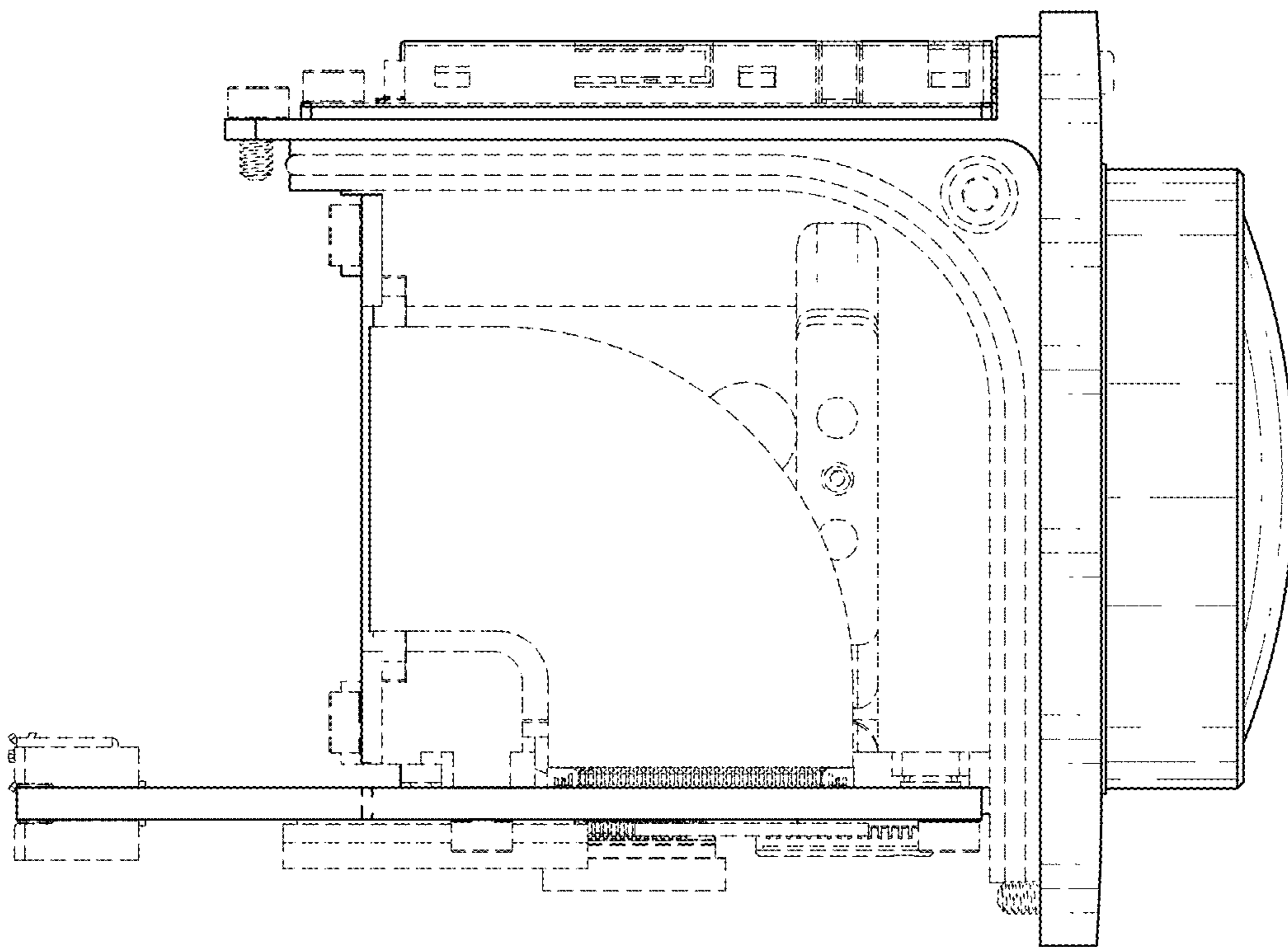


FIG. 6

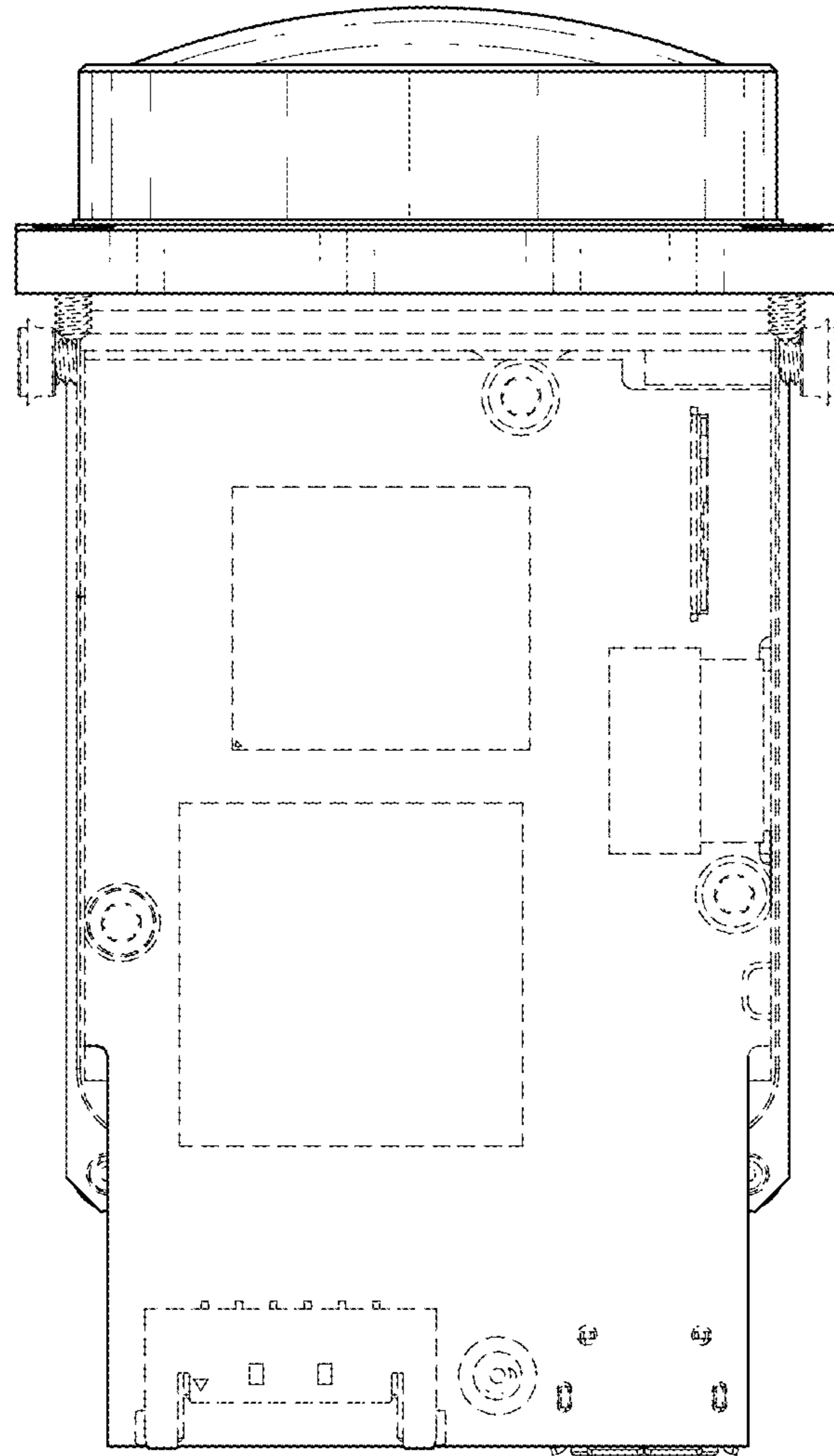


FIG. 7

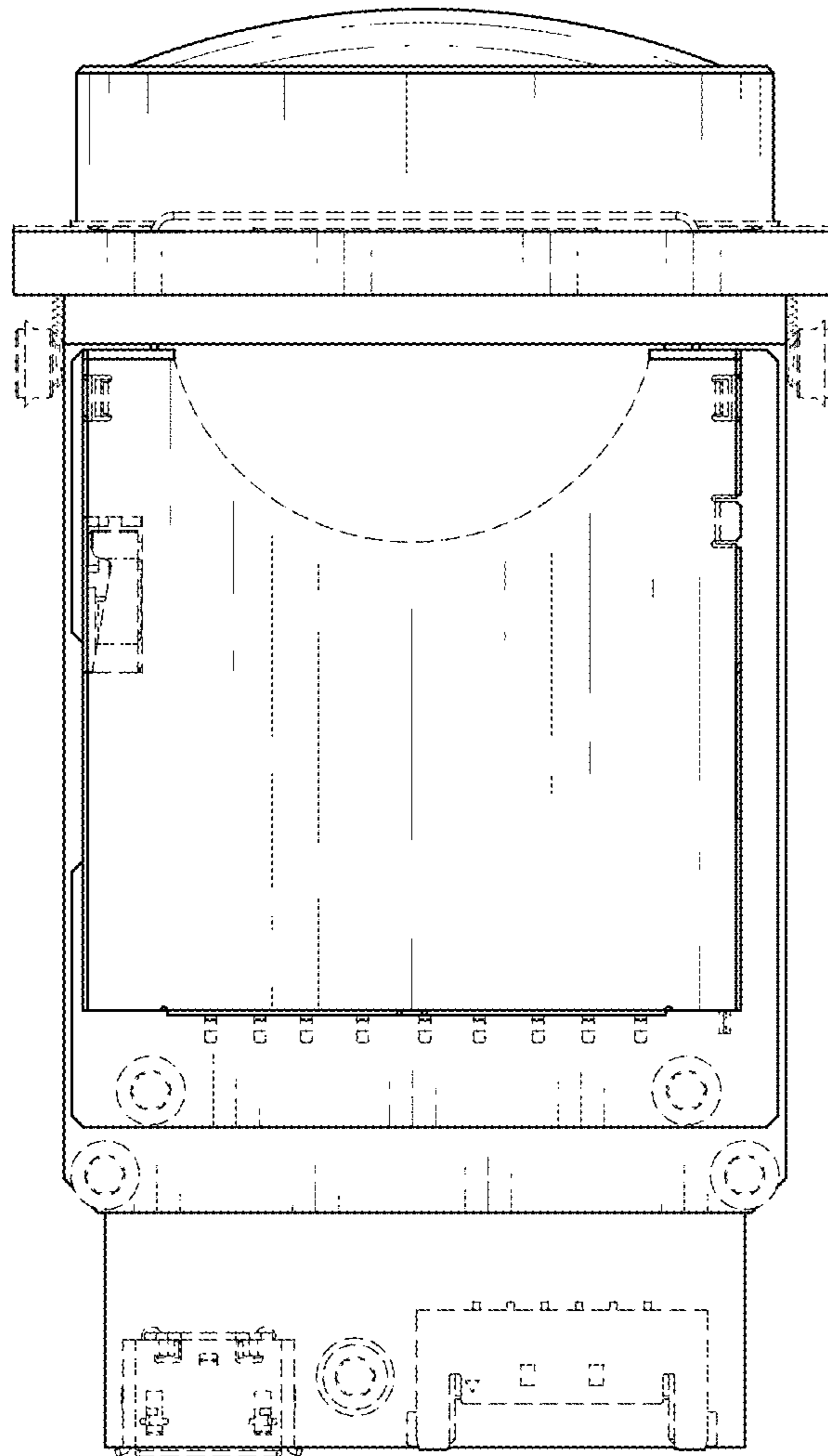


FIG. 8