



US00D786329S

(12) **United States Design Patent** (10) **Patent No.:** **US D786,329 S**  
**Kamei** (45) **Date of Patent:** **\*\* May 9, 2017**

(54) **ELECTRONIC CAMERA**  
(71) Applicant: **FUJIFILM Corporation**, Tokyo (JP)  
(72) Inventor: **Keita Kamei**, Tokyo (JP)  
(73) Assignee: **FUJIFILM Corporation**, Tokyo (JP)  
(\*\*) Term: **14 Years**

D543,567 S \* 5/2007 Kato ..... D16/203  
D545,860 S \* 7/2007 Miyazaki ..... D16/202  
D574,870 S \* 8/2008 Takahashi ..... D16/202  
D579,474 S \* 10/2008 Yoo ..... D16/203  
D597,117 S \* 7/2009 Yamane ..... D16/203  
7,609,321 B2 \* 10/2009 Yamane ..... G08B 13/1963  
348/151  
D704,240 S \* 5/2014 McBride ..... D16/203  
D718,360 S \* 11/2014 Matoba ..... D16/203  
D745,911 S \* 12/2015 Lee ..... D16/203

(21) Appl. No.: **29/519,029**

\* cited by examiner

(22) Filed: **Mar. 2, 2015**

*Primary Examiner* — Philip S Hyder

*Assistant Examiner* — Ramzi Almatrahi

(30) **Foreign Application Priority Data**

(74) *Attorney, Agent, or Firm* — Young & Thompson

Sep. 1, 2014 (JP) ..... 2014-019219  
Sep. 1, 2014 (JP) ..... 2014-019220

(51) **LOC (10) Cl.** ..... **16-01**

(57) **CLAIM**

(52) **U.S. Cl.**  
USPC ..... **D16/202**

The ornamental design for an electronic camera, as shown and described.

(58) **Field of Classification Search**

USPC ..... D16/200, 202–206, 208, 218, 219, 242;  
348/143, 148, 151, 373–376; 396/419,  
396/427, 535, 539–541

CPC ..... G03B 17/02; G03B 19/04; G03B 17/56;  
G03B 17/04; G03B 15/03; H04N 5/2251;  
H04N 5/2252; H04N 5/2253; H04N  
5/2254; H04N 7/181; H04N 7/183; H04N  
7/18; G08B 13/1963; G08B 13/19619;  
G08B 13/19632; F16M 11/04; F16M  
13/00

**DESCRIPTION**

See application file for complete search history.

FIG. 1 is a top, front and right side perspective view of an electronic camera showing my new design;  
FIG. 2 is a front elevational view thereof;  
FIG. 3 is a rear elevational view thereof;  
FIG. 4 is a top plan view thereof;  
FIG. 5 is a bottom plan view thereof; and,  
FIG. 6 is a left side elevational view thereof.

The broken lines depict portions of an electronic camera in which the design is embodied that form no part of the claimed design.

(56) **References Cited**

**U.S. PATENT DOCUMENTS**

D518,080 S \* 3/2006 Uehara ..... D16/202  
D543,566 S \* 5/2007 Kato ..... D16/203

**1 Claim, 6 Drawing Sheets**

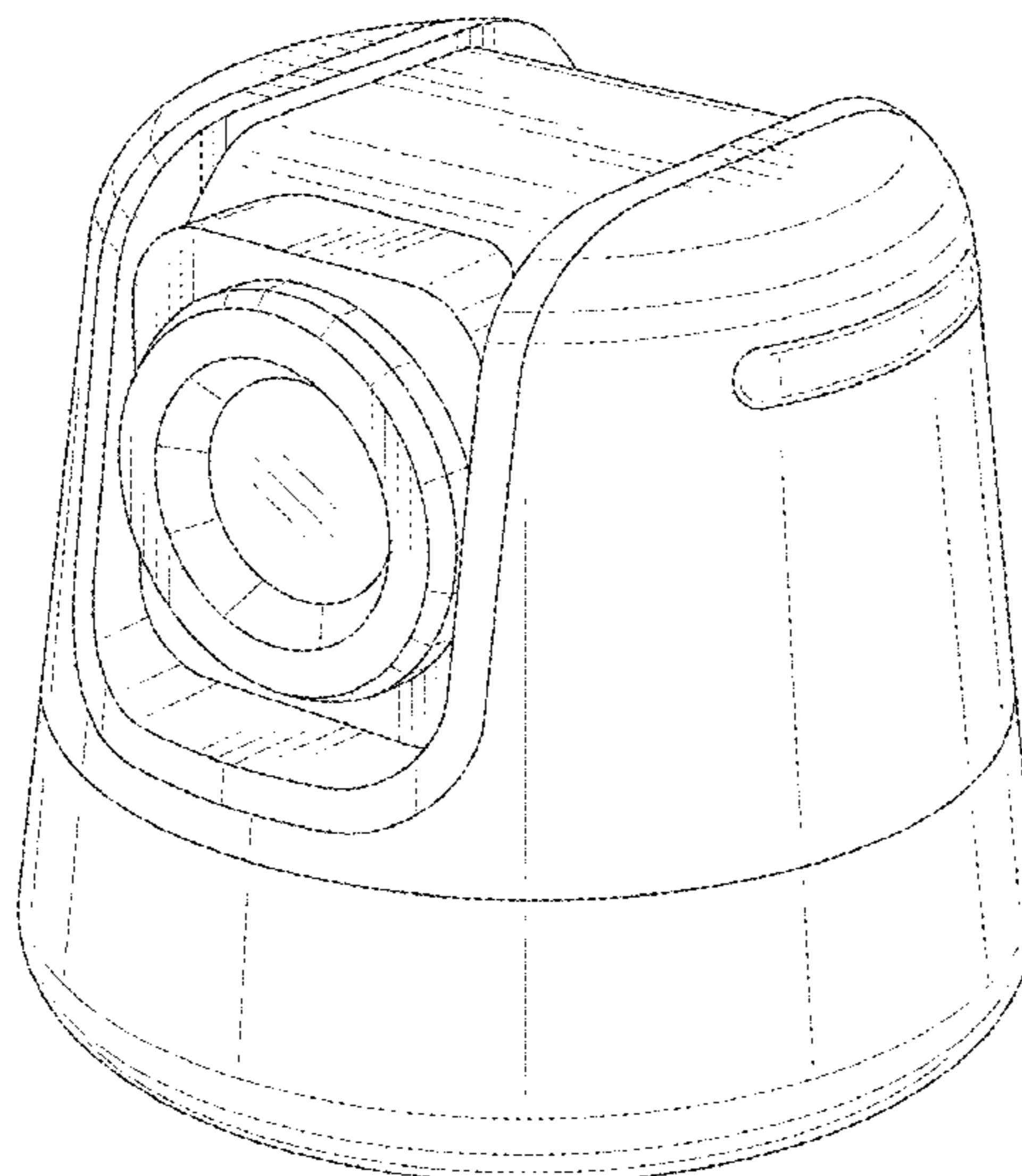


FIG. 1

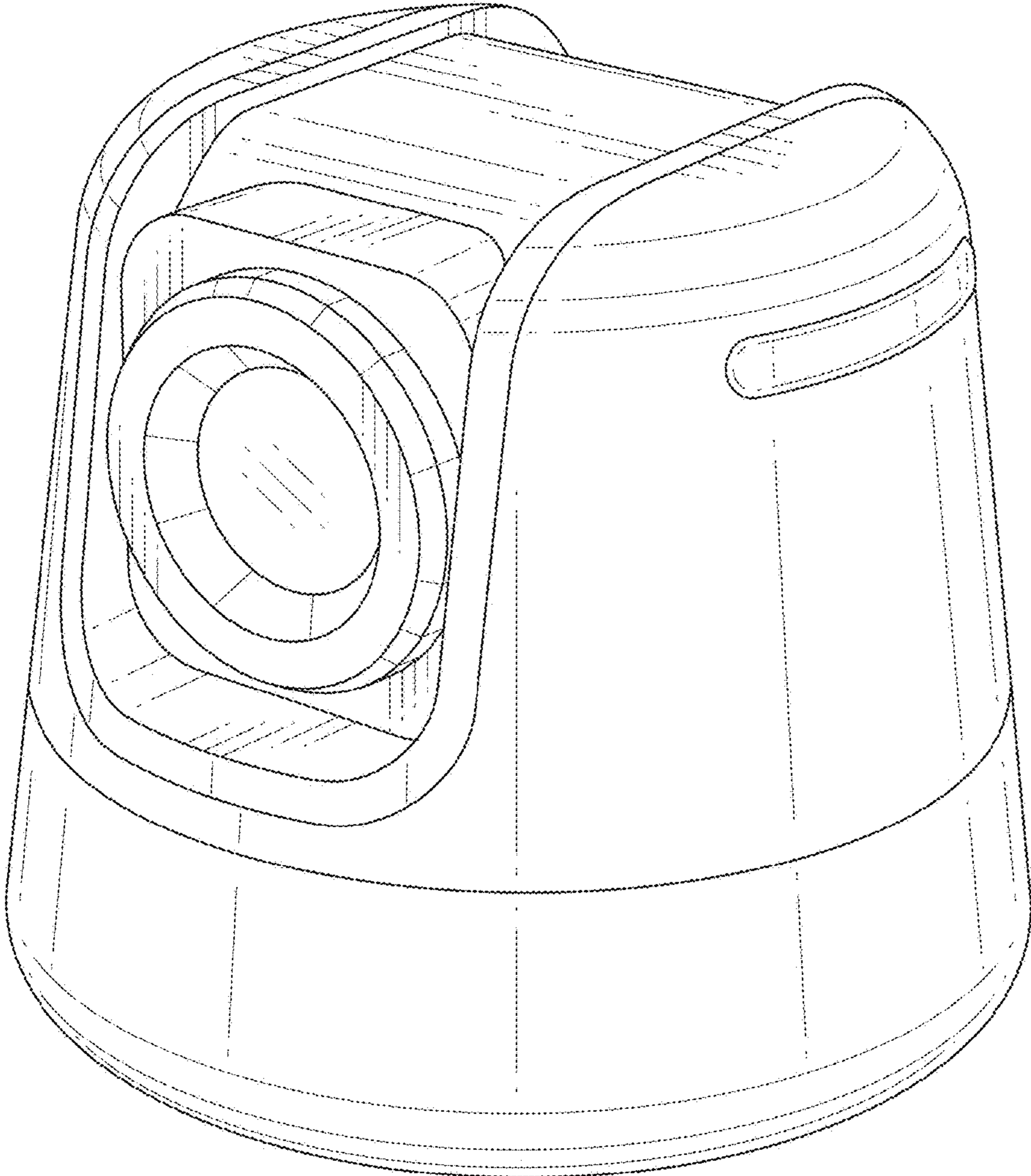


FIG. 2

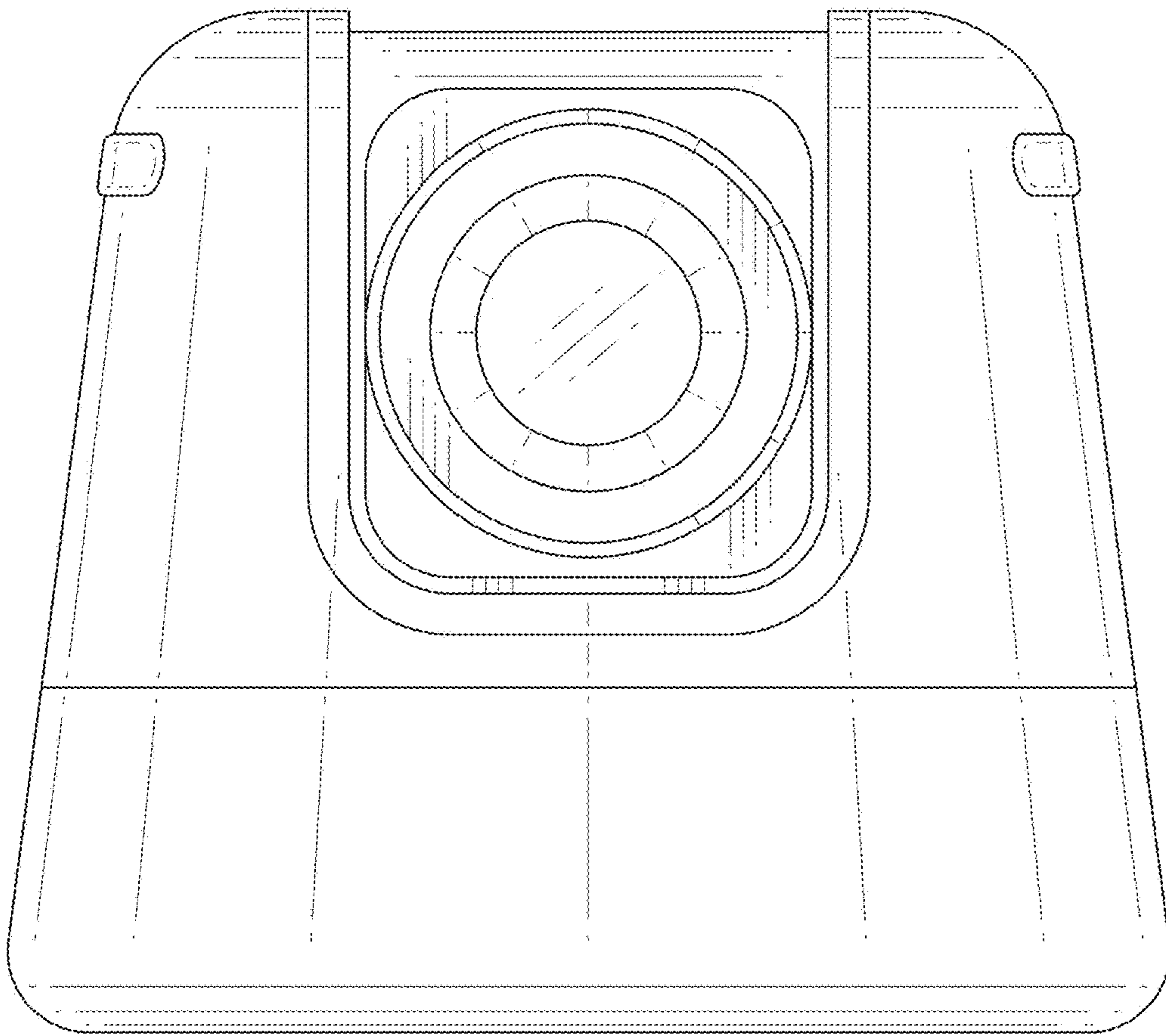


FIG. 3

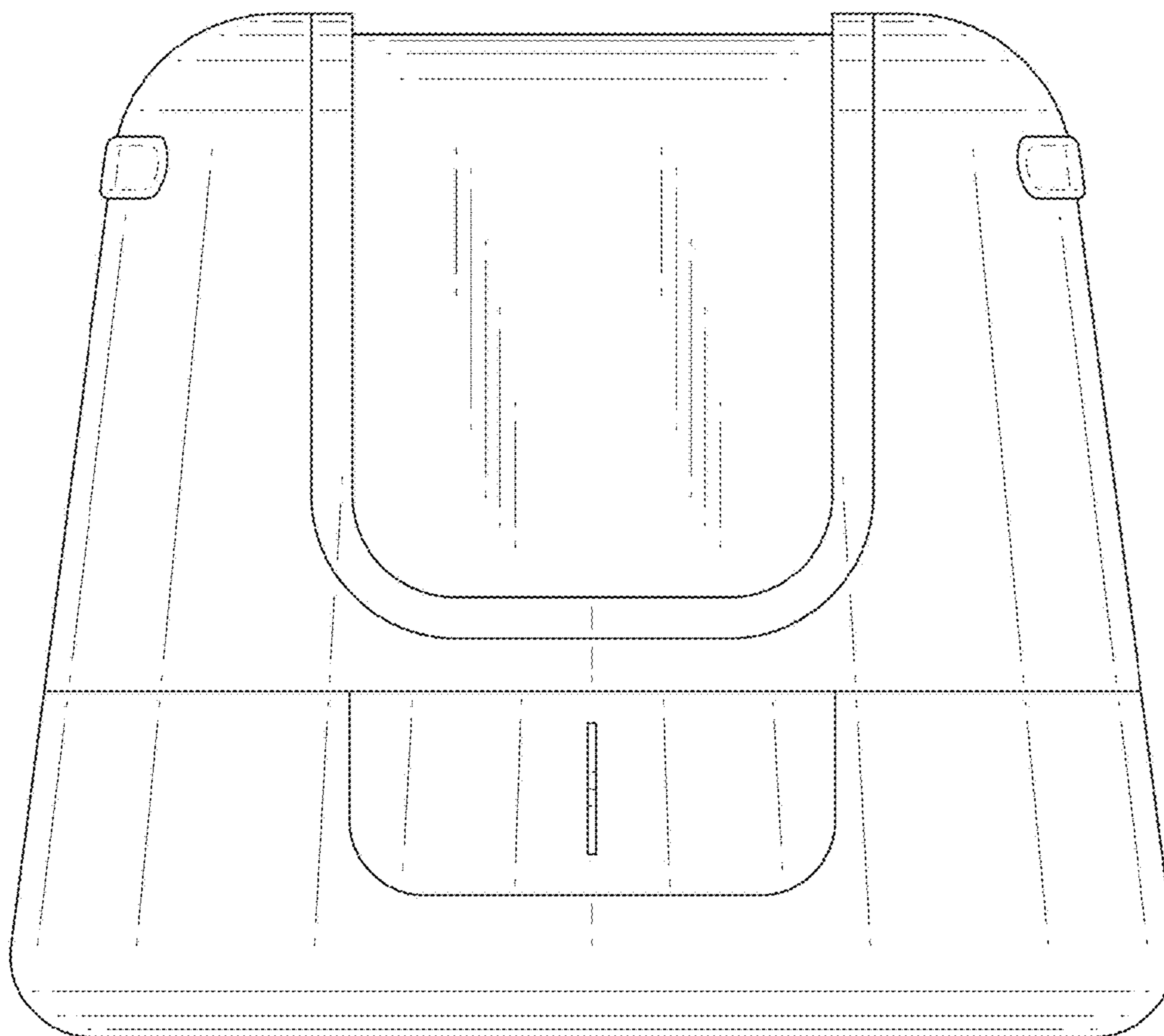


FIG. 4

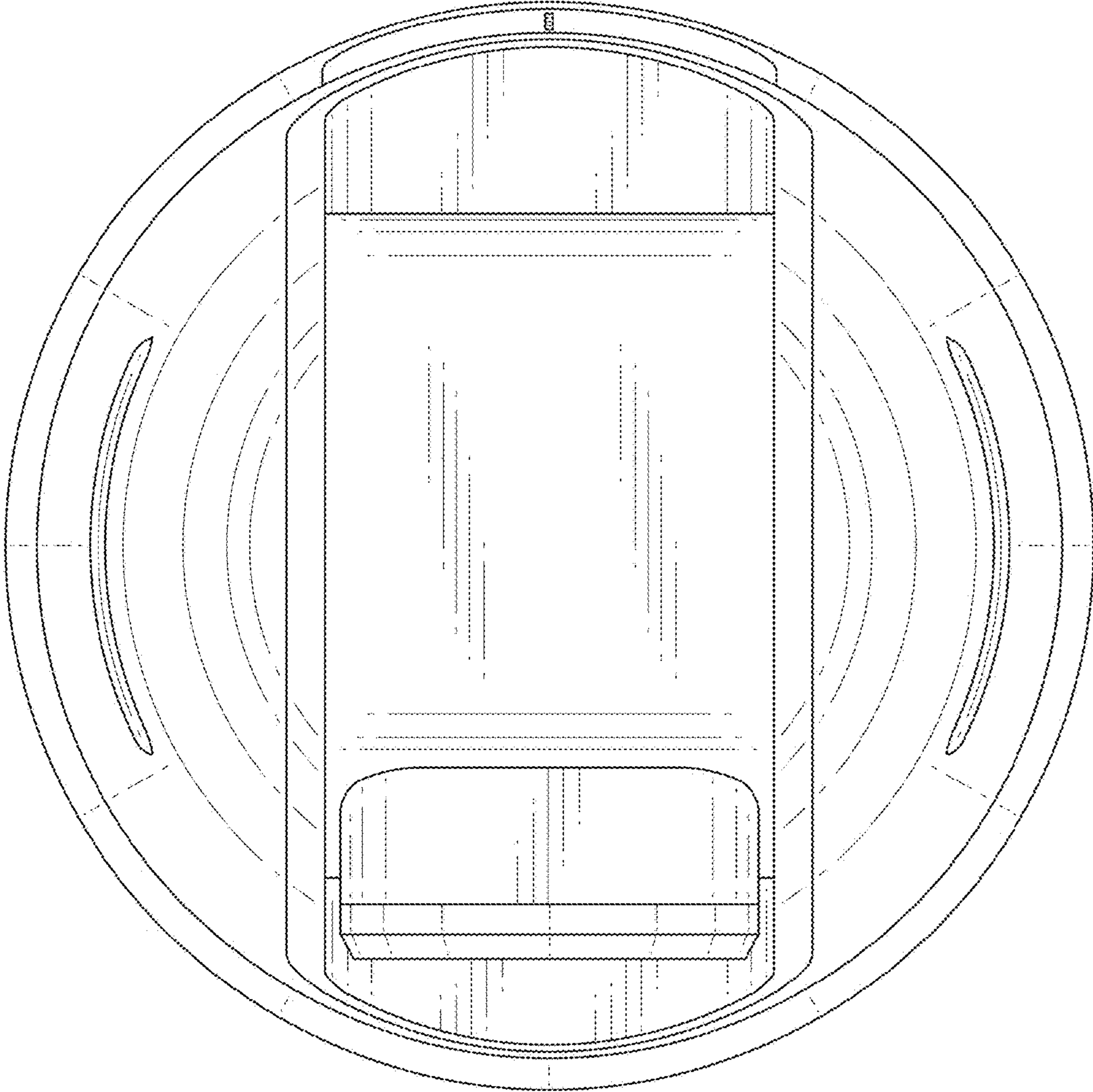


FIG. 5

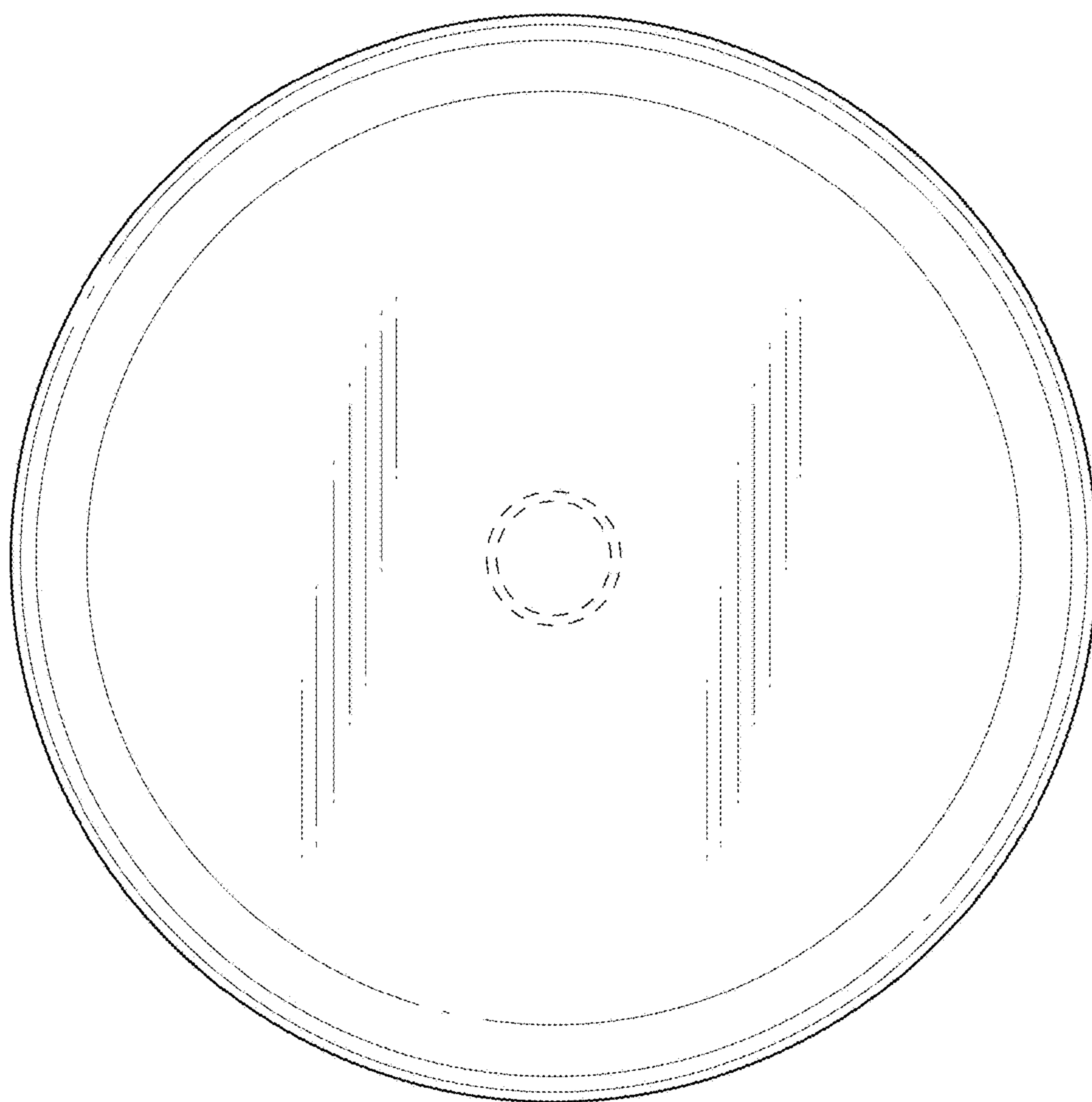


FIG. 6

