



US00D786328S

(12) **United States Design Patent** (10) **Patent No.:** **US D786,328 S**
Schuss (45) **Date of Patent:** **** May 9, 2017**

(54) **MAGNIFYING GLASS**
(71) Applicant: **A. SCHWEIZER GMBH OPTISCHE FABRIK**, Forchheim (DE)
(72) Inventor: **Werner Schuss**, Nuremberg (DE)
(73) Assignee: **A. Schweizer GmbH Optische Fabrik**, Forchheim (DE)
(**) Term: **15 Years**
(21) Appl. No.: **29/532,689**
(22) Filed: **Jul. 9, 2015**

D635,171 S * 3/2011 Levine D16/135
D637,220 S * 5/2011 Levine D16/135
D637,221 S * 5/2011 Levine D16/135
D663,340 S * 7/2012 Farenski D16/135
D686,266 S * 7/2013 Baheti D16/135
D702,745 S * 4/2014 Gresko D16/135
D702,746 S * 4/2014 Gresko D16/135
D705,842 S * 5/2014 Su D16/135
D707,278 S * 6/2014 Tang D16/135
D707,279 S * 6/2014 Tang D16/135
D707,280 S * 6/2014 Tang D16/135
D719,433 S * 12/2014 Cooper D16/135
D750,679 S * 3/2016 Habraken D16/135
D754,766 S * 4/2016 Daniel D16/135
2008/0158696 A1 * 7/2008 Yip G02B 25/002
359/811

* cited by examiner

(30) **Foreign Application Priority Data**

Jan. 9, 2015 (EM) 002611111-0002

(51) **LOC (10) Cl.** **16-06**
(52) **U.S. Cl.**
USPC **D16/135**

(58) **Field of Classification Search**
USPC D26/1, 2, 61, 65, 66, 68, 69, 72, 74, 76,
D26/86-89, 93, 98, 121, 122, 123, 124,
D26/125, 128; 362/249.11, 364, 335,
362/363; 359/228-236, 238, 297, 298,
359/811, 816, 819, 826, 827, 828;
D16/130-136, 200, 225, 229; D24/137
See application file for complete search history.

(56) **References Cited**

U.S. PATENT DOCUMENTS

D217,506 S * 5/1970 Knoetgen D16/135
D269,275 S * 6/1983 Tweedie D16/135
D428,032 S * 7/2000 Lee D16/135

Primary Examiner — Susan Bennett Hattan

Assistant Examiner — Jennifer Wright

(74) *Attorney, Agent, or Firm* — Laurence A. Greenberg;
Werner H. Stemer; Ralph E. Locher

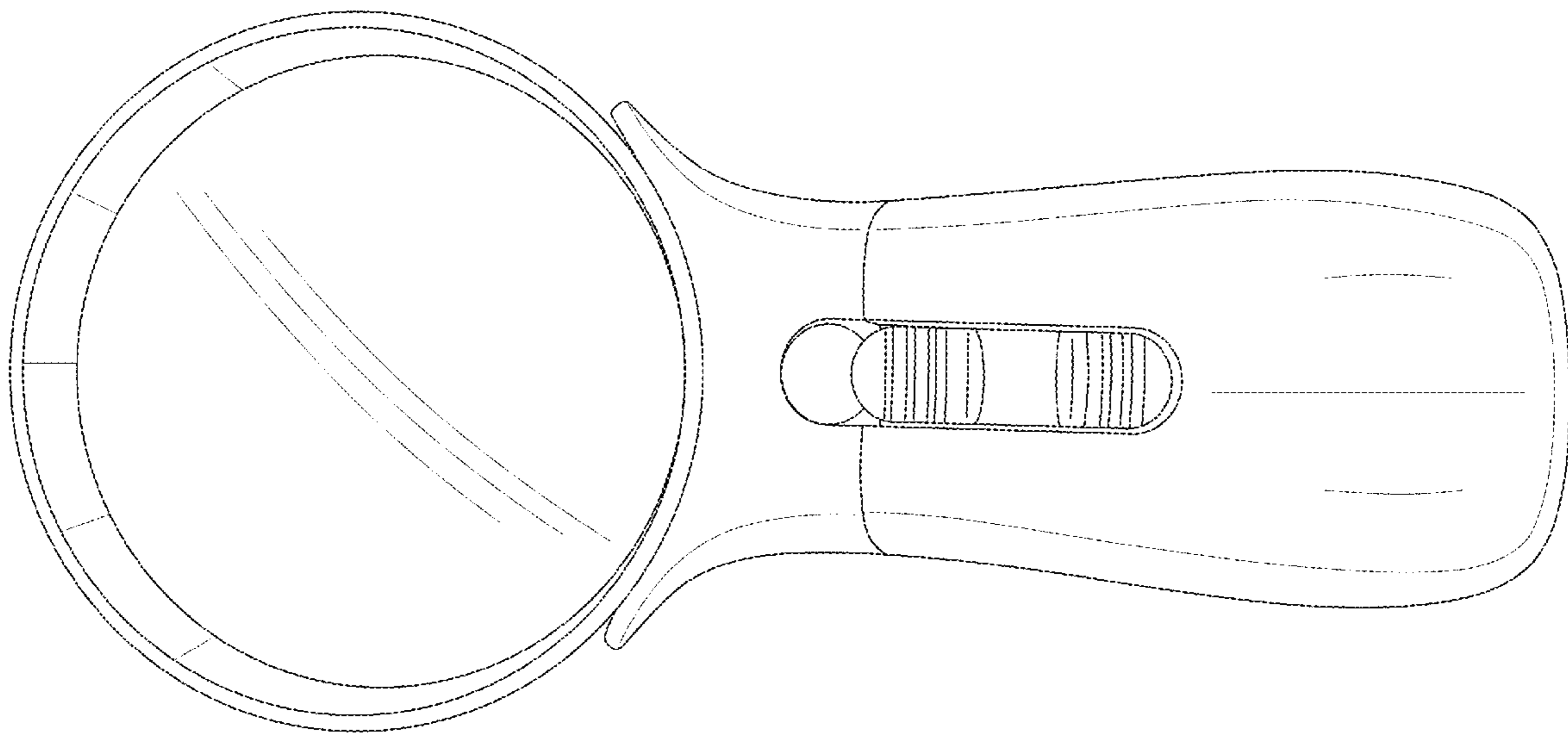
(57) **CLAIM**

The ornamental design for a magnifying glass, as shown and described.

DESCRIPTION

FIG. 1 is a bottom view of the magnifying glass showing my new invention;
FIG. 2 is a left side elevation view thereof;
FIG. 3 is a right side elevation view thereof;
FIG. 4 is a front view thereof;
FIG. 5 is a rear view thereof; and,
FIG. 6 is a perspective view thereof.

1 Claim, 6 Drawing Sheets



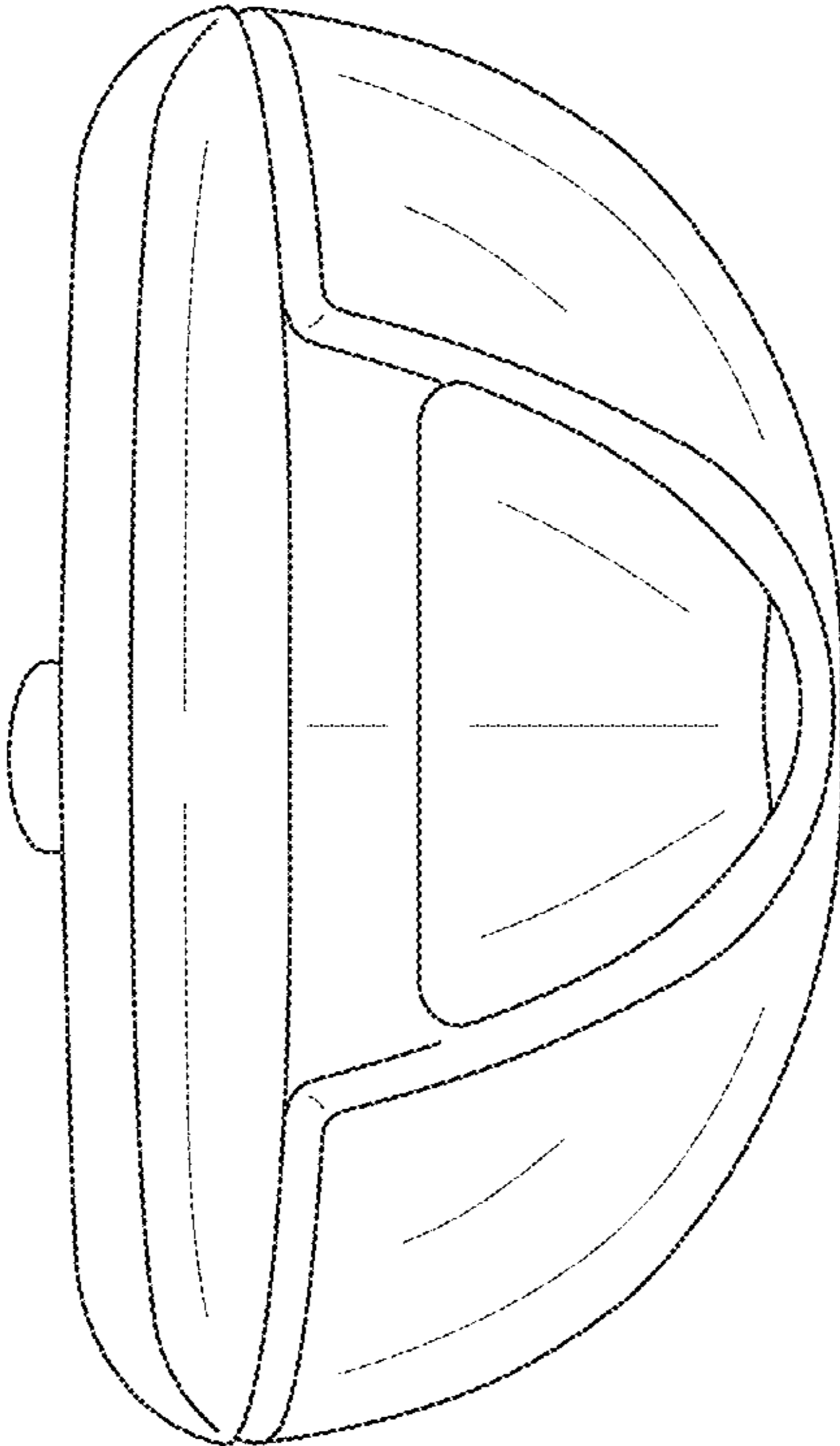


FIG. 1

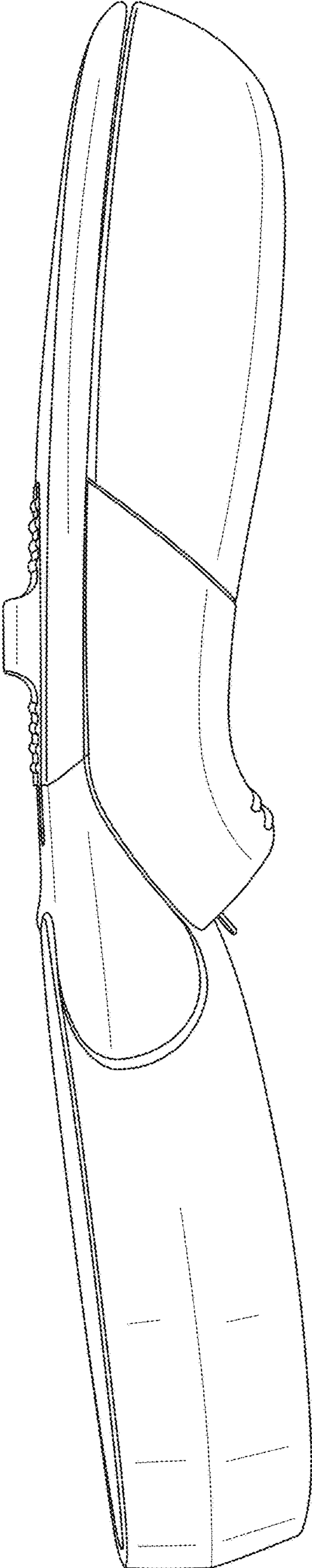


FIG. 2

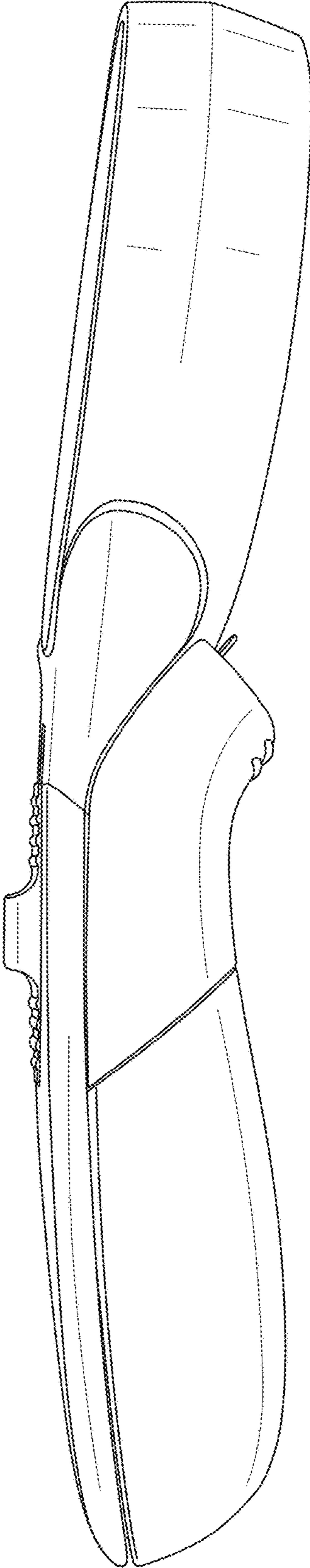


FIG. 3

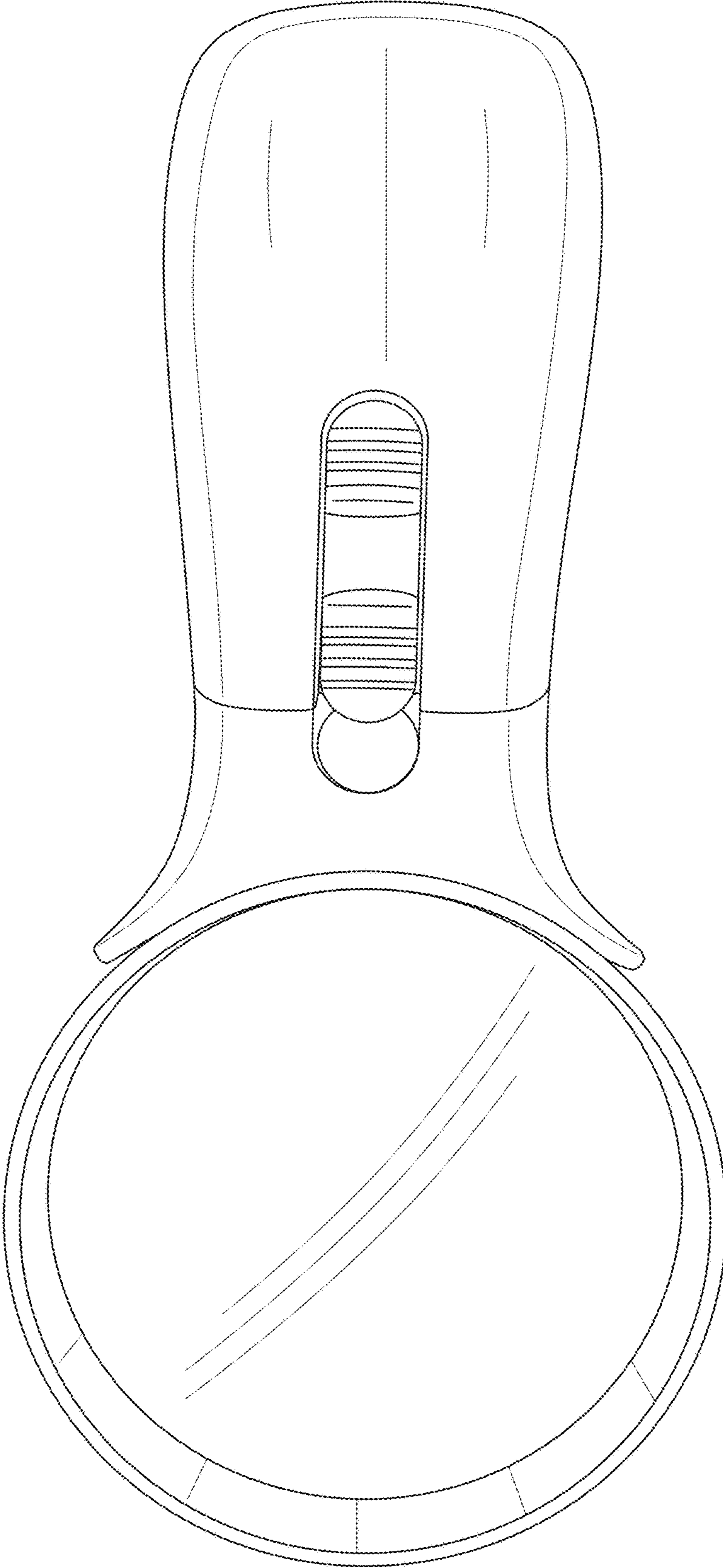


FIG. 4

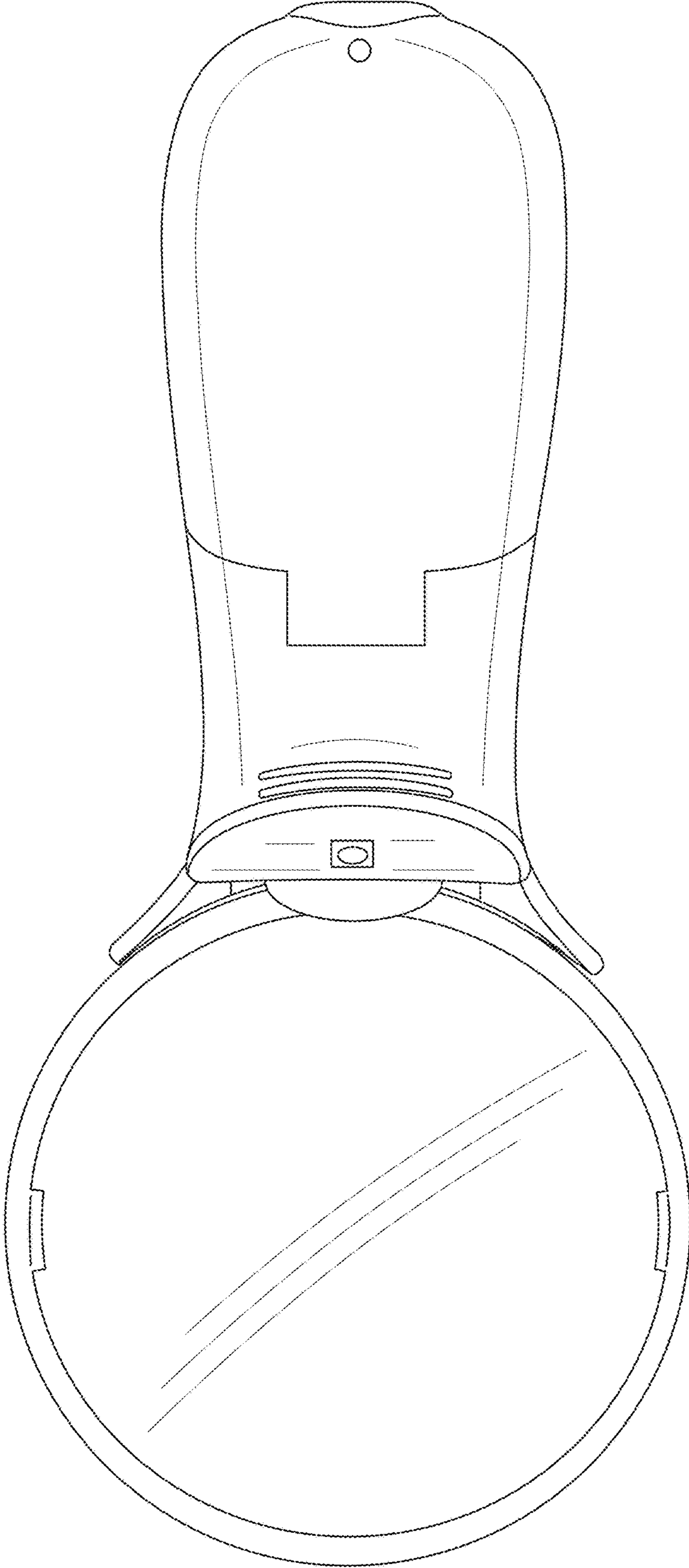


FIG. 5

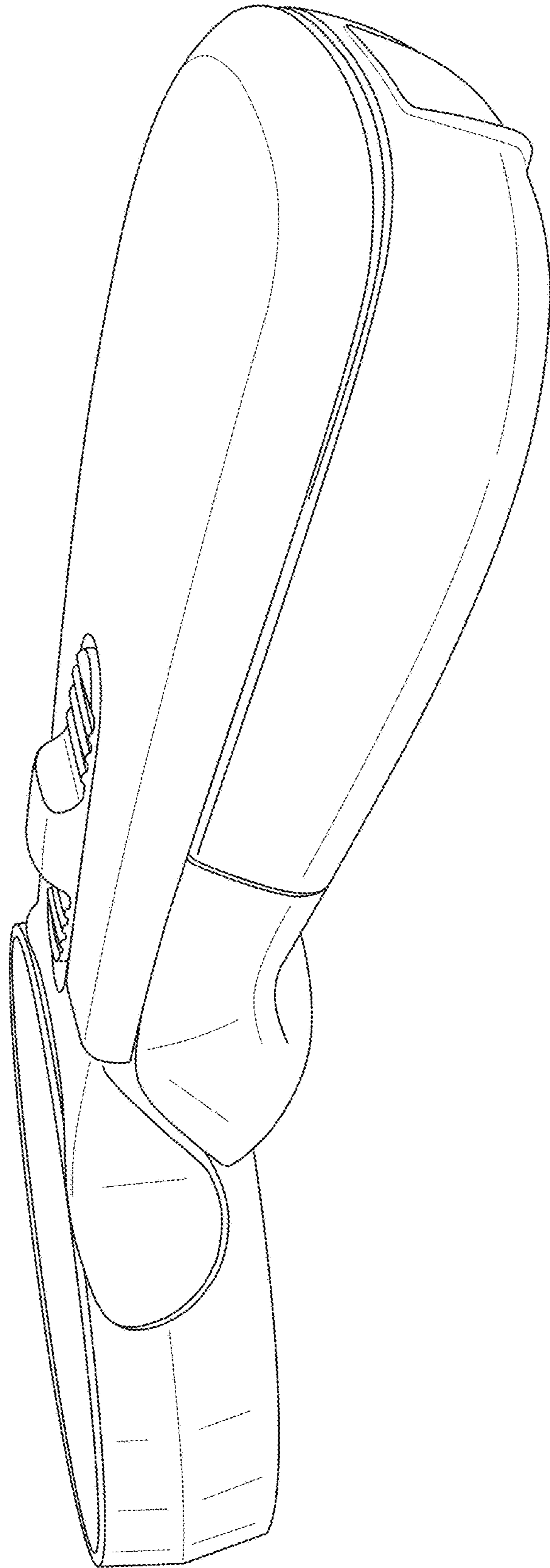


FIG. 6