



US00D786327S

(12) **United States Design Patent**
May

(10) **Patent No.:** **US D786,327 S**

(45) **Date of Patent:** **** *May 9, 2017**

(54) **ILLUMINATING MAGNIFIER APPARATUS**

(71) Applicant: **Richard L. May**, Hardwick, MA (US)

(72) Inventor: **Richard L. May**, Hardwick, MA (US)

(*) Notice: This patent is subject to a terminal disclaimer.

(**) Term: **14 Years**

(21) Appl. No.: **29/512,789**

(22) Filed: **Dec. 23, 2014**

Related U.S. Application Data

(62) Division of application No. 29/470,418, filed on Oct. 21, 2013, now Pat. No. Des. 723,081.

(51) **LOC (10) Cl.** **16-01**

(52) **U.S. Cl.**

USPC **D16/135**

(58) **Field of Classification Search**

USPC D16/135, 130; D26/60, 61, 51, 63, 65, D26/104, 109; D28/64.1-64.7; D24/183, D24/184, 209, 210; 362/804, 401, 402, 362/249.02, 249.09, 249.13, 138, 119; 359/802, 803, 817, 824

CPC G02B 7/02

See application file for complete search history.

(56) **References Cited**

U.S. PATENT DOCUMENTS

- 1,960,114 A * 5/1934 MacHenry G02B 25/02 359/802
- 3,351,751 A * 11/1967 Stube F21L 4/00 340/815.76
- 3,643,079 A * 2/1972 Glickman F21S 8/00 362/249.09
- 4,380,790 A * 4/1983 Saferstein A61B 5/0059 359/812

- 4,384,315 A * 5/1983 Hayakawa G03B 15/05 362/33
- D275,037 S * 8/1984 Saferstein D16/135
- D276,940 S * 12/1984 Andersson D16/135
- D295,287 S * 4/1988 Krogsrud D16/135
- 4,744,019 A * 5/1988 Krogsrud F16M 11/04 362/33
- 4,796,162 A * 1/1989 Krogsrud F16M 11/04 362/253
- 4,958,913 A * 9/1990 Schaffer G02B 25/02 359/819
- D334,759 S * 4/1993 Meyer D16/135
- D337,841 S * 7/1993 Lu D26/65
- D360,703 S * 7/1995 Sandell D26/63
- 5,613,771 A * 3/1997 Siverling F21V 21/20 362/275
- D382,577 S * 8/1997 Waldmann D16/135
- 5,982,565 A * 11/1999 Nomura B29C 45/0025 264/2.2
- D459,515 S * 6/2002 Gaskins D26/67

(Continued)

Primary Examiner — Paula Greene

(57) **CLAIM**

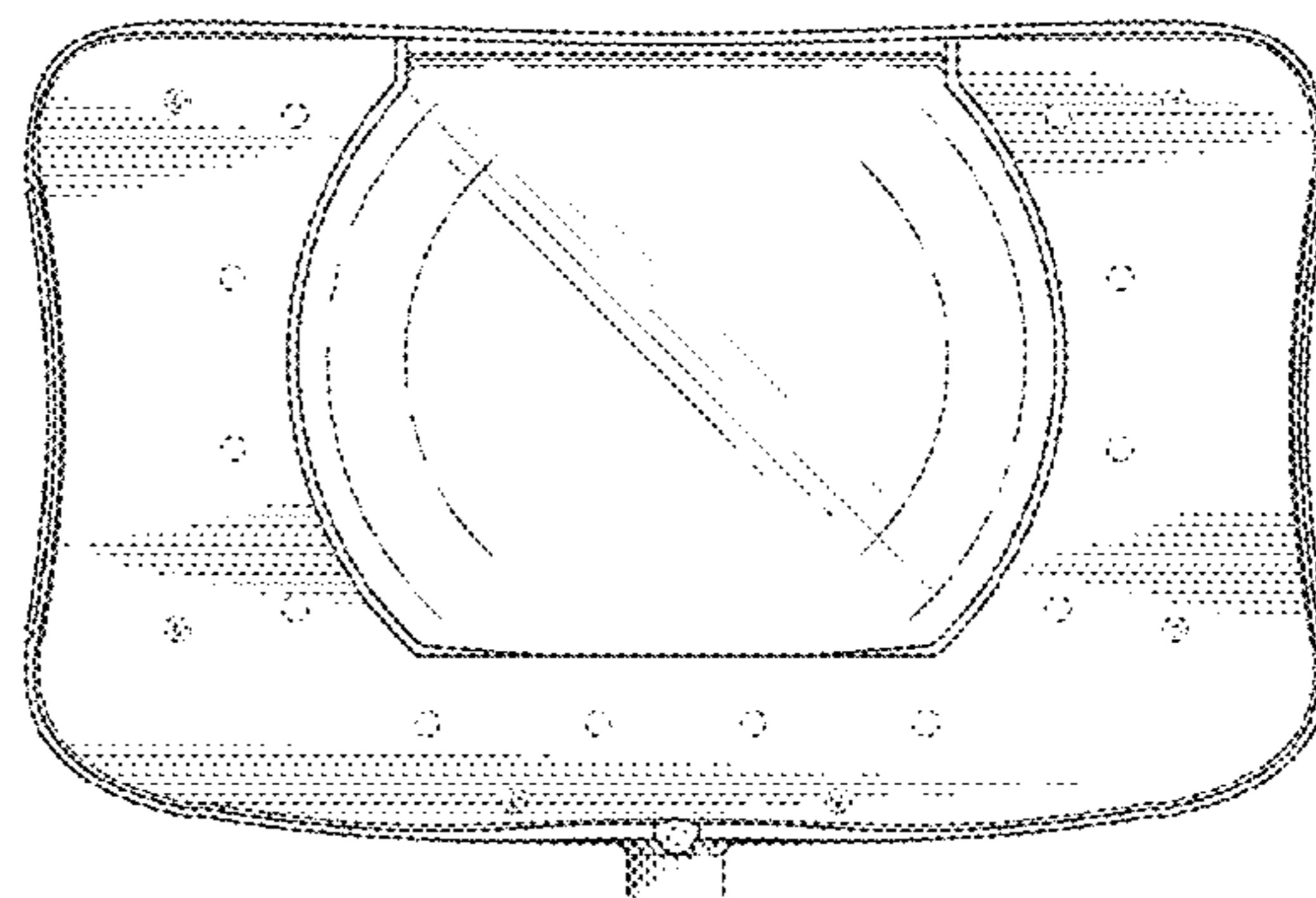
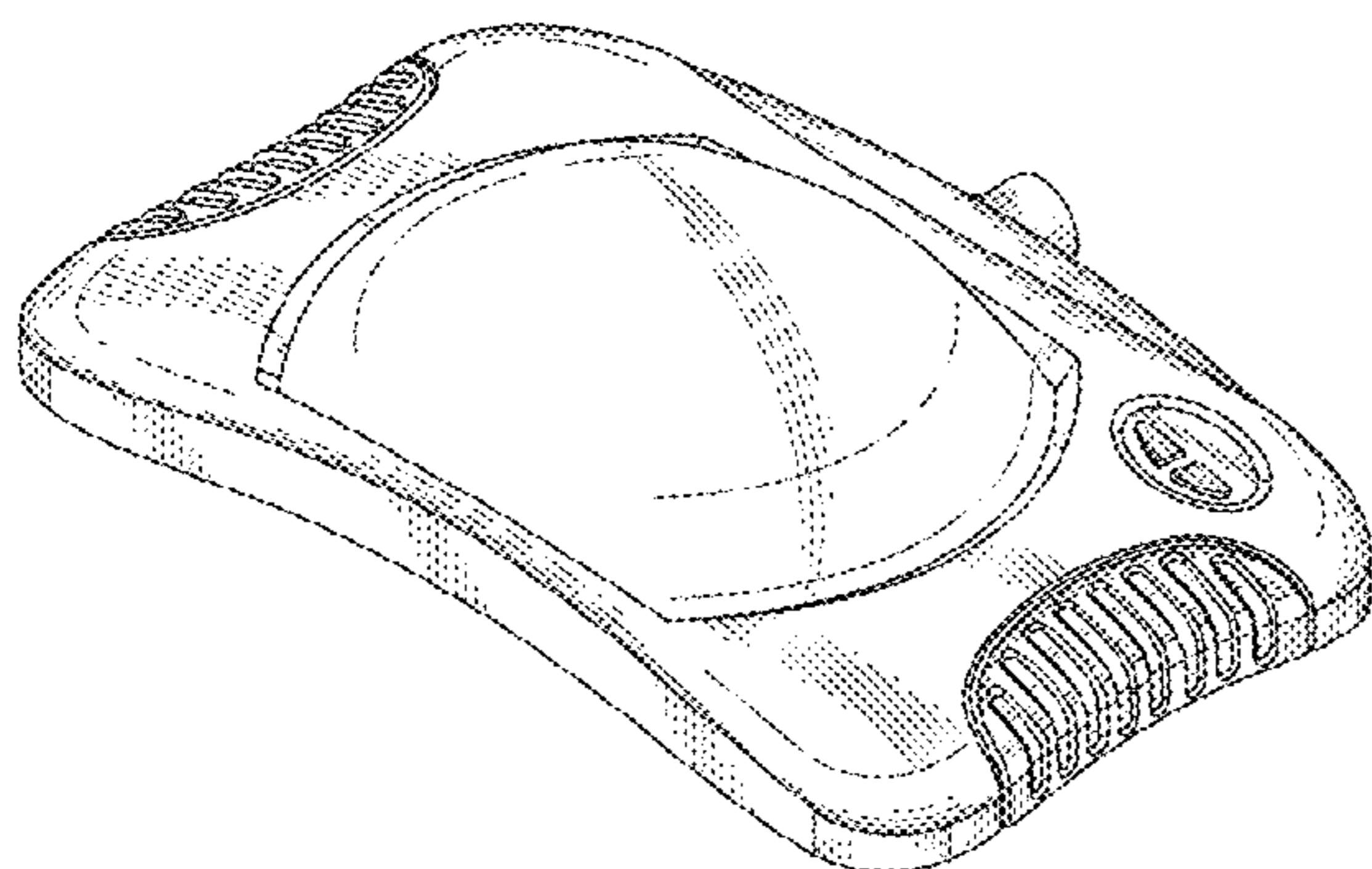
The ornamental design for an illuminating magnifier apparatus, substantially as shown and described.

DESCRIPTION

FIG. 1 is a top perspective view of the illuminating magnifier employing my new design;
 FIG. 2 is a top view of FIG. 1;
 FIG. 3 is a bottom perspective exploded view of FIG. 1;
 FIG. 4 is a bottom perspective assembled view of FIG. 3;
 FIG. 5 is a left side view of FIG. 1;
 FIG. 6 is a right side view of FIG. 1;
 FIG. 7 is a front end view of FIG. 1; and,
 FIG. 8 is a rear end view of FIG. 1.

The broken line showing of environment in the drawings is included for the purpose of illustrating only and forms no part of the claimed design.

1 Claim, 8 Drawing Sheets



(56)

References Cited

U.S. PATENT DOCUMENTS

D474,556	S *	5/2003	Huang	D26/60
D482,813	S *	11/2003	Waldmann	D26/61
D505,219	S *	5/2005	Jacquelin	D26/51
D526,340	S *	8/2006	Hodgson	D16/135
D526,673	S *	8/2006	Hodgson	D16/135
D542,454	S *	5/2007	Chan	D26/60
7,400,459	B2 *	7/2008	Welch	A61B 19/52 359/800
D580,577	S *	11/2008	Wang	D26/63
D597,238	S *	7/2009	Lu	D16/135
D597,240	S *	7/2009	Hodgson	D26/65
7,562,980	B2 *	7/2009	Rymniak	A45D 42/16 351/159.01
D625,870	S *	10/2010	Feigenbaum	D26/63
D636,513	S *	4/2011	Furtsch	D16/135
D656,527	S *	3/2012	May	D16/135
8,585,243	B2 *	11/2013	Hamby	F21V 23/06 362/249.02
D709,238	S *	7/2014	May	D26/72
D723,081	S *	2/2015	May	D16/135
D735,383	S *	7/2015	Zhu	D26/63

* cited by examiner

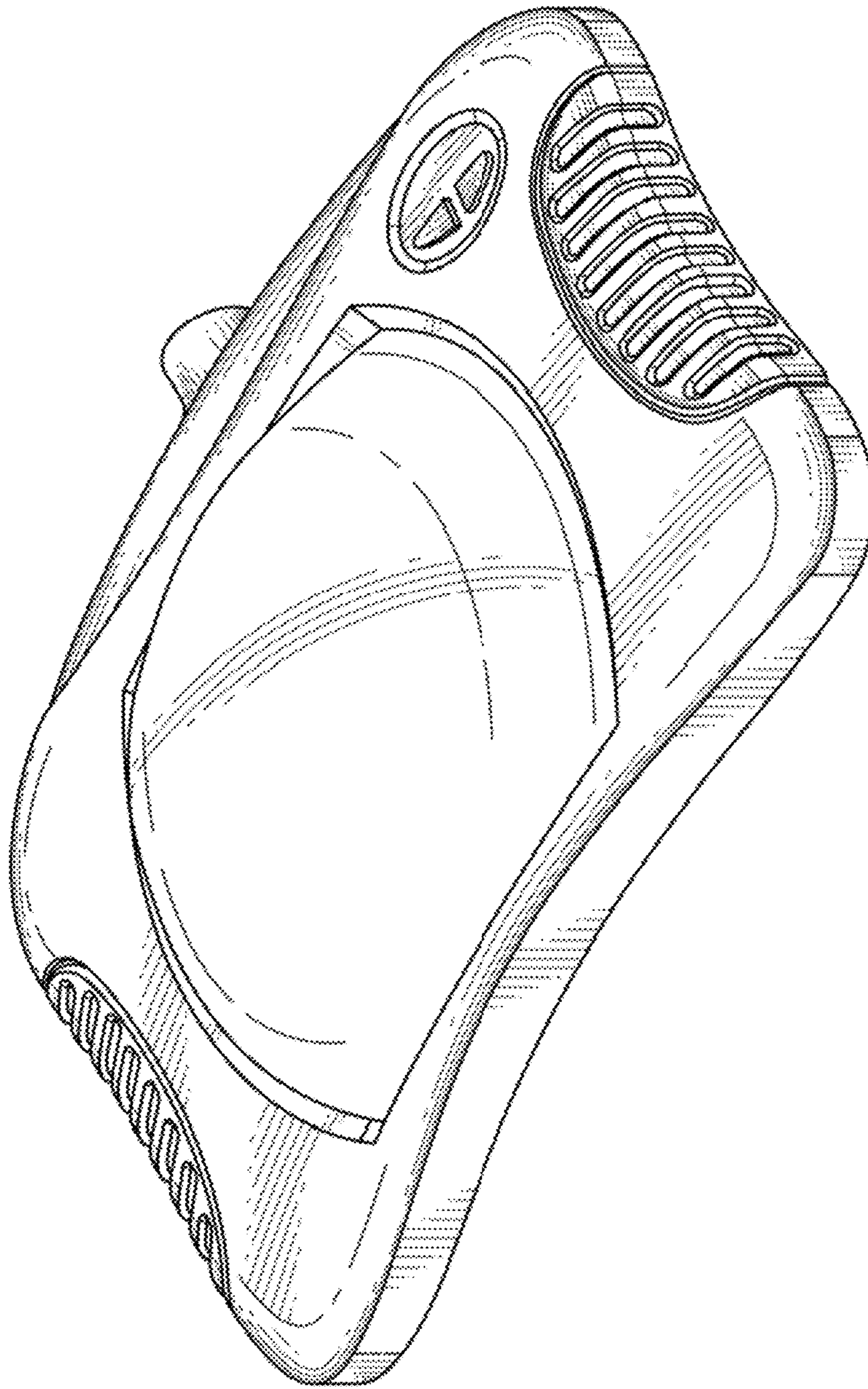


FIG. 1

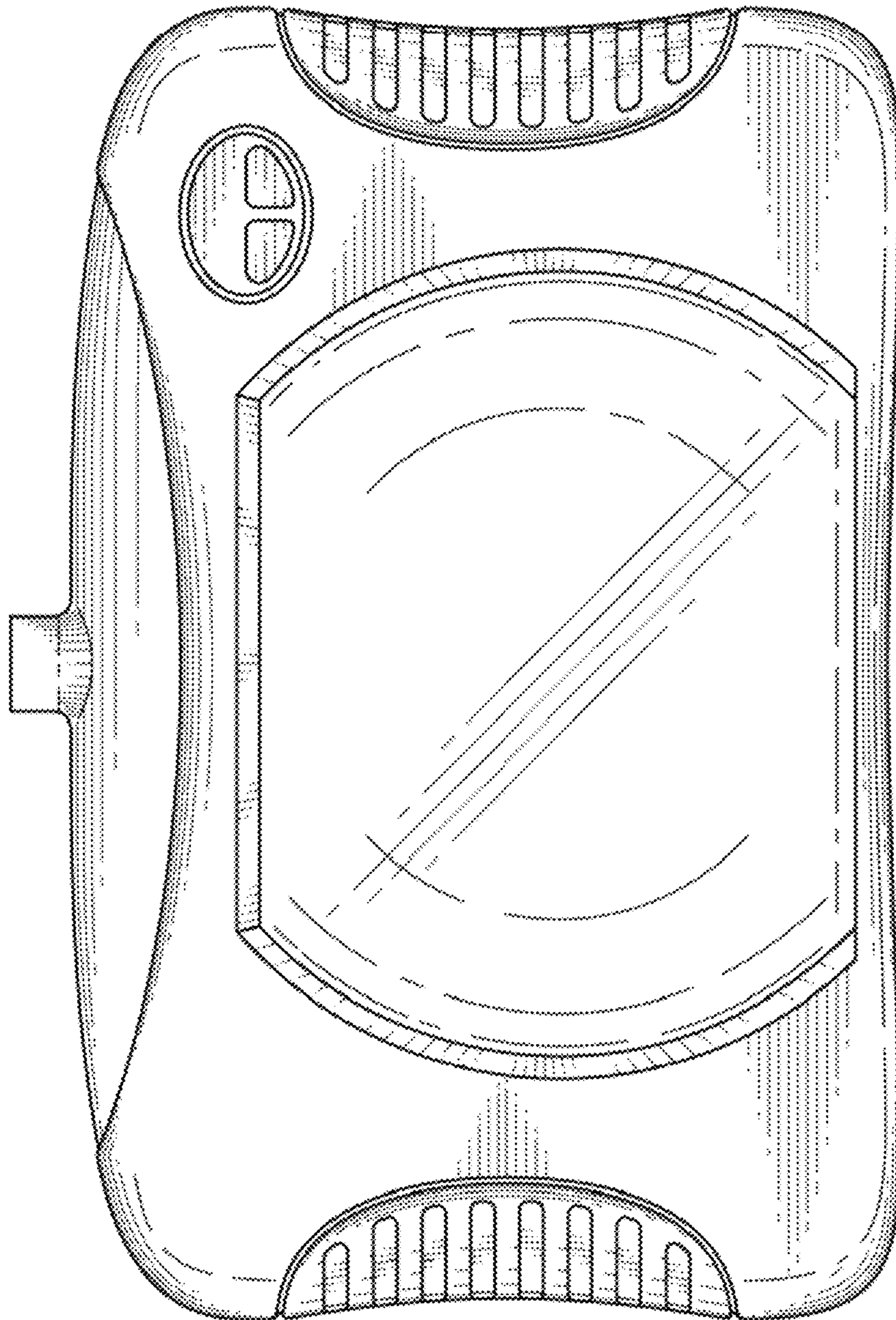
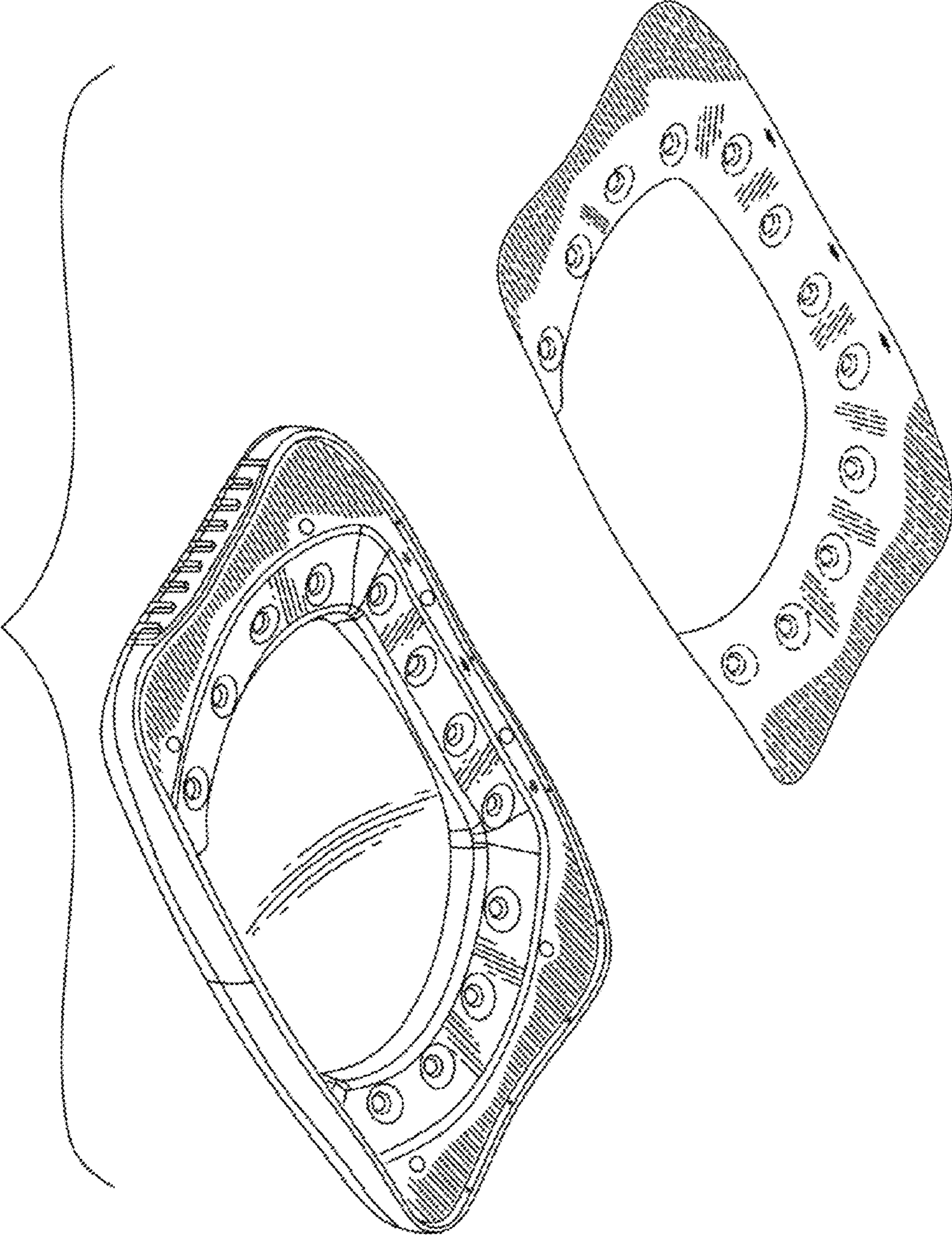


FIG. 2

FIG.3



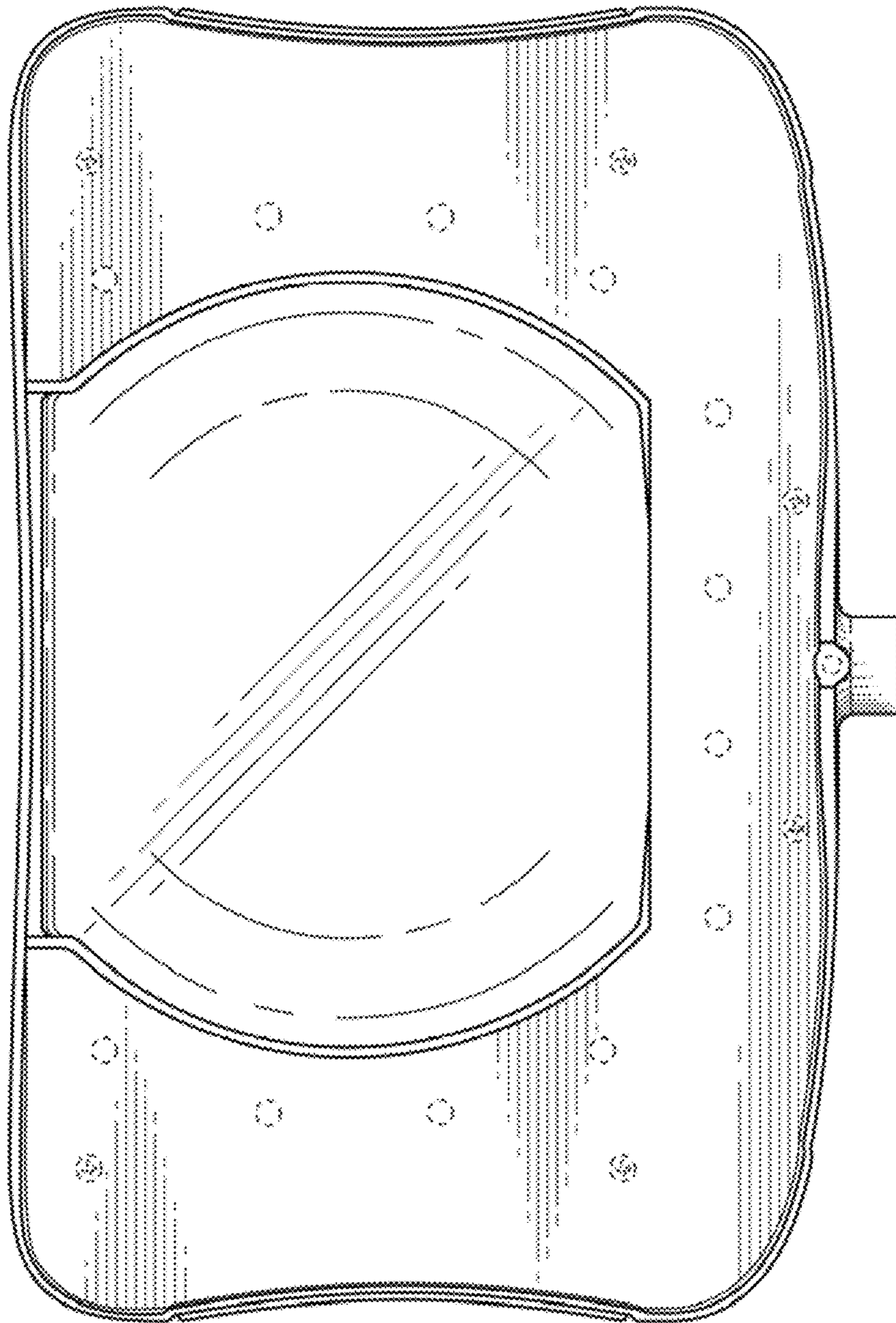


FIG. 4

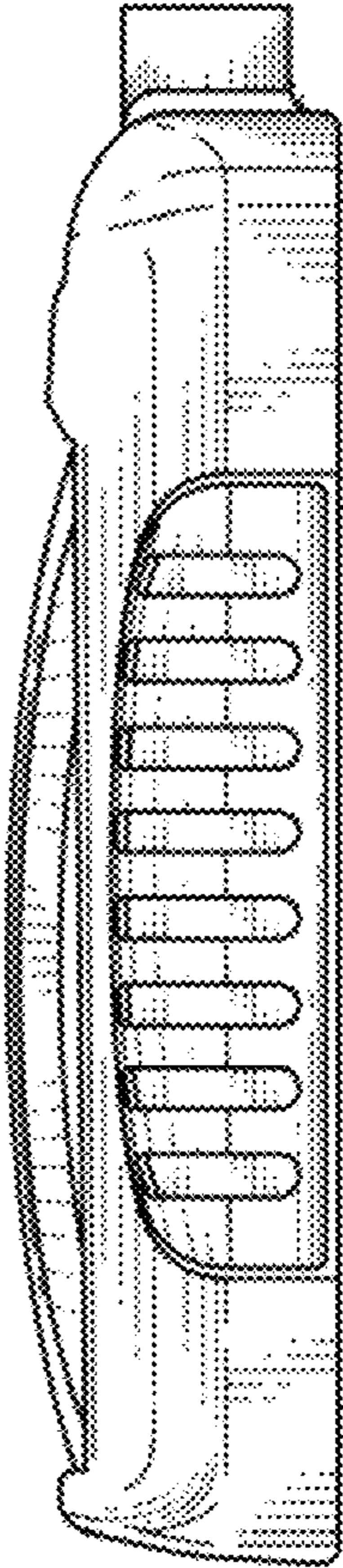


FIG. 5

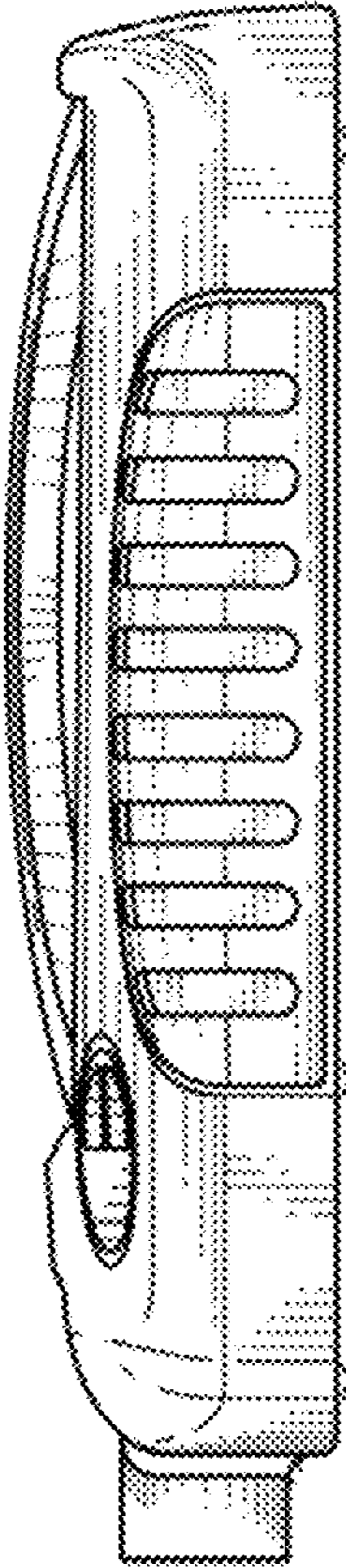


FIG. 6

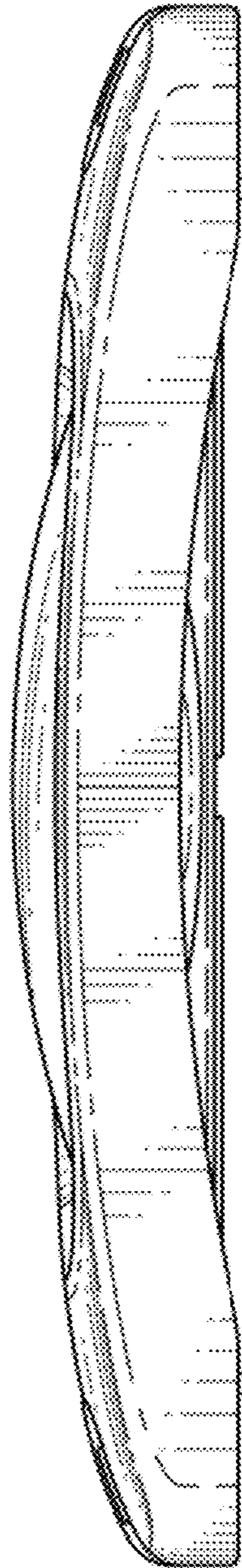


FIG. 7

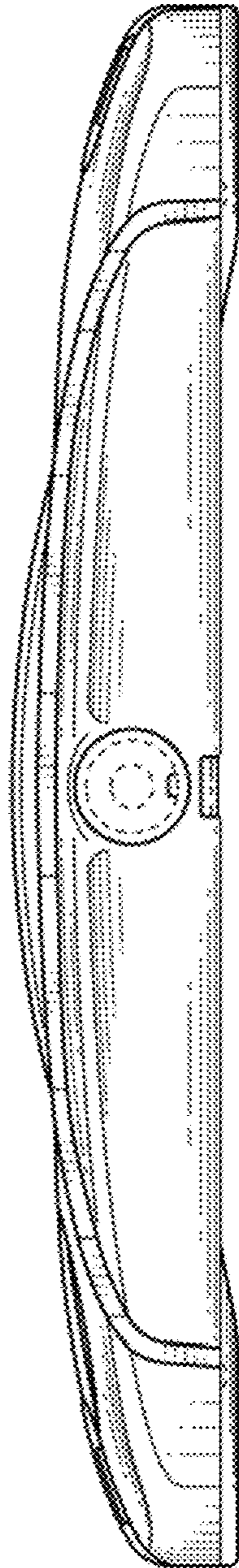


FIG. 8