



US00D786324S

(12) **United States Design Patent**
Koskinen

(10) **Patent No.:** **US D786,324 S**

(45) **Date of Patent:** **** May 9, 2017**

(54) **CUTTING INSERTS**

(71) Applicant: **SECO TOOLS AB**, Fagersta (SE)

(72) Inventor: **Jorma Koskinen**, Fagersta (SE)

(73) Assignee: **SECO TOOLS AB**, Fagersta (SE)

(**) Term: **14 Years**

(21) Appl. No.: **29/523,293**

(22) Filed: **Apr. 8, 2015**

(30) **Foreign Application Priority Data**

Oct. 9, 2014	(EM)	001422380-0001
Oct. 9, 2014	(EM)	001422380-0002
Oct. 9, 2014	(EM)	001422380-0003
Oct. 9, 2014	(EM)	001422380-0004
Oct. 9, 2014	(EM)	001422380-0005
Oct. 9, 2014	(EM)	001422380-0006

(51) **LOC (10) Cl.** **15-09**

(52) **U.S. Cl.**
USPC **D15/139**

(58) **Field of Classification Search**
USPC D8/20, 70; D15/126, 139
See application file for complete search history.

(56) **References Cited**

U.S. PATENT DOCUMENTS

229,772	A *	7/1880	Suisse	B23D 61/121 83/852
1,441,887	A *	1/1923	Scott	B26B 29/063 83/468.2
2,630,314	A *	3/1953	Cadwallader	B26B 11/006 177/129
2,757,697	A *	8/1956	Simmons	B26D 1/0006 30/355
D229,493	S *	12/1973	Feakins	D25/125
D341,604	S *	11/1993	Hessman	D15/139

D342,269	S *	12/1993	Arai	D15/139
D347,642	S *	6/1994	Lindberg	D15/139
D379,360	S *	5/1997	Satran	D15/139
5,775,855	A *	7/1998	Reiterman	B23C 5/207 407/113
D404,406	S *	1/1999	Satran	D15/139
D446,571	S *	8/2001	Frazer	D22/118
D485,852	S *	1/2004	Arvidsson	D15/139
D486,505	S *	2/2004	Arvidsson	D15/139

(Continued)

Primary Examiner — Patricia Palasik

(74) *Attorney, Agent, or Firm* — Corinne R. Gorski

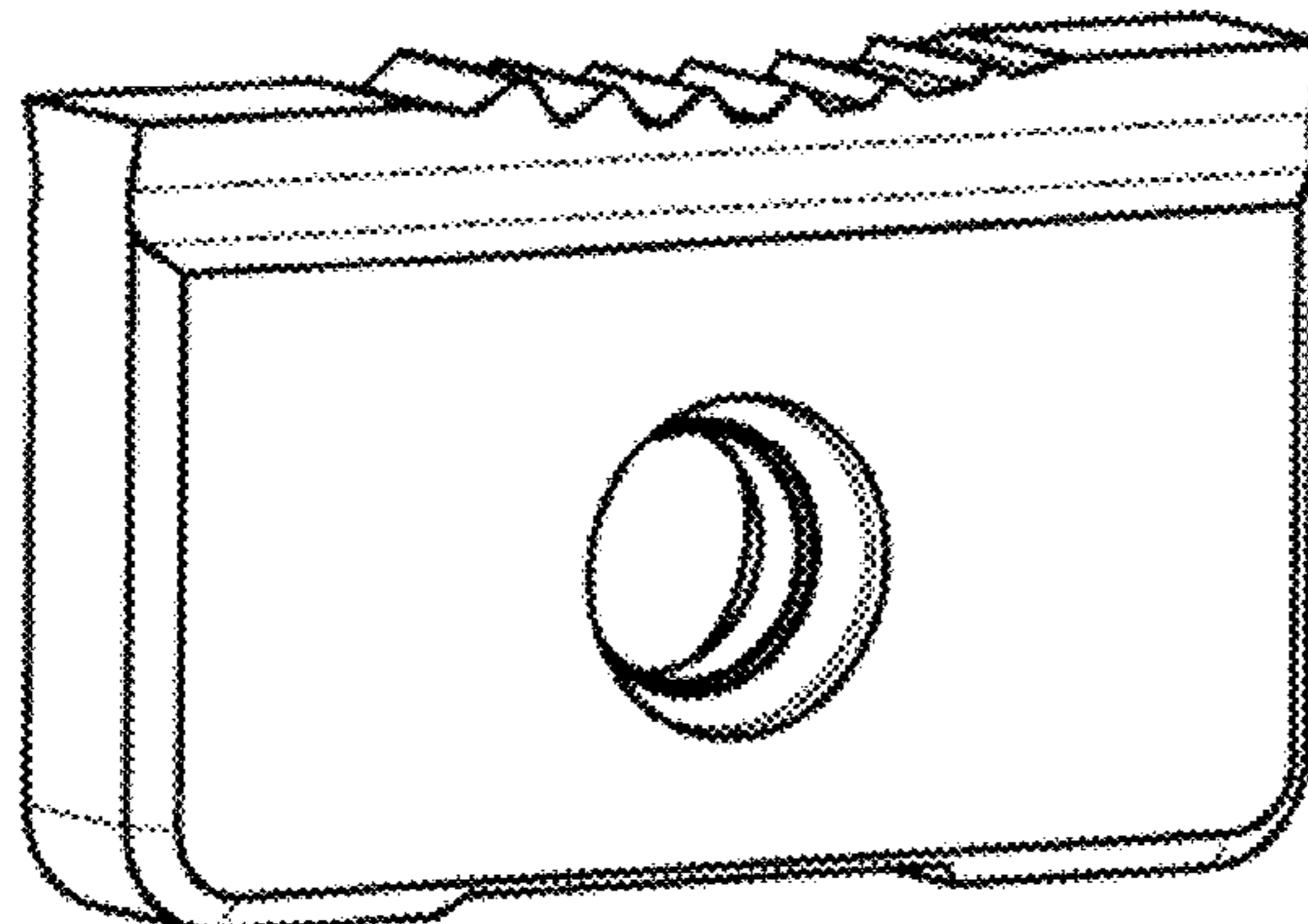
(57) **CLAIM**

The ornamental design for a cutting insert, as shown and described.

DESCRIPTION

FIG. 1 is a top plan view of a first embodiment of a cutting insert;
 FIG. 2 is a side elevational view thereof;
 FIG. 3 is a bottom plan view thereof;
 FIG. 4 is an opposite, side elevational view thereof;
 FIG. 5 is a top, side perspective view thereof;
 FIG. 6 is a back, side elevational view thereof, and;
 FIG. 7 is a front, side elevational view thereof.
 FIG. 8 is a top plan view of a second embodiment of a cutting insert;
 FIG. 9 is a side elevational view thereof;
 FIG. 10 is a bottom plan view thereof;
 FIG. 11 is an opposite side elevational view thereof;
 FIG. 12 is a top, side perspective view thereof;
 FIG. 13 is a back, side elevational view thereof; and,
 FIG. 14 is a front, side elevational view thereof.
 The broken lines show the environment with which the design is associated, are for illustrative purposes only, and form no part of the claimed design or a specified embodiment thereof.

1 Claim, 2 Drawing Sheets



(56)

References Cited

U.S. PATENT DOCUMENTS

7,073,986 B2 *	7/2006	Andras	B23B 27/1651	D692,289 S *	10/2013	Cheng	D8/99
				407/113	D699,315 S *	2/2014	Seeds	D22/118
D588,616 S *	3/2009	Tanaka	D15/139	D700,675 S *	3/2014	Seeds	D22/118
D607,529 S *	1/2010	Craffey	D22/118	D704,793 S *	5/2014	Dahan	D22/118
D610,884 S *	3/2010	Rabanal	D7/650	D705,281 S *	5/2014	Heinasenaho	D15/139
D615,608 S *	5/2010	Moore	D22/118	D714,104 S *	9/2014	Cotter	D7/401.2
D617,161 S *	6/2010	Tom	D8/20	D715,341 S *	10/2014	Schell	D15/139
D617,350 S *	6/2010	Cummings	D15/11	D730,703 S *	6/2015	Bucks	D7/401.2
D637,214 S *	5/2011	Saito	D15/139	D731,257 S *	6/2015	Bucks	D7/401.2
D638,041 S *	5/2011	Saito	D15/139	D731,259 S *	6/2015	Bucks	D7/401.2
D642,888 S *	8/2011	Port	D8/99	D736,841 S *	8/2015	Jung	D15/139
D660,676 S *	5/2012	Yang-Fu	D8/99	D742,180 S *	11/2015	Van Wemmel	D7/381
D661,367 S *	6/2012	Seeds	D22/118	D742,181 S *	11/2015	Bucks	D7/381
D672,841 S *	12/2012	Pelton	D22/118	D745,338 S *	12/2015	Bucks	D7/650
D672,842 S *	12/2012	Pelton	D22/118	D747,637 S *	1/2016	Bloch	D8/99
D684,654 S *	6/2013	Hunter	D22/118	D747,946 S *	1/2016	Carey	D8/99
D686,048 S *	7/2013	Lock	D8/20	D748,703 S *	2/2016	Nam	D15/139
D688,716 S *	8/2013	Lampe	D15/139	D752,664 S *	3/2016	Jung	D15/139
					D752,704 S *	3/2016	Ma	D22/118
					D755,267 S *	5/2016	Lee	D15/139

* cited by examiner

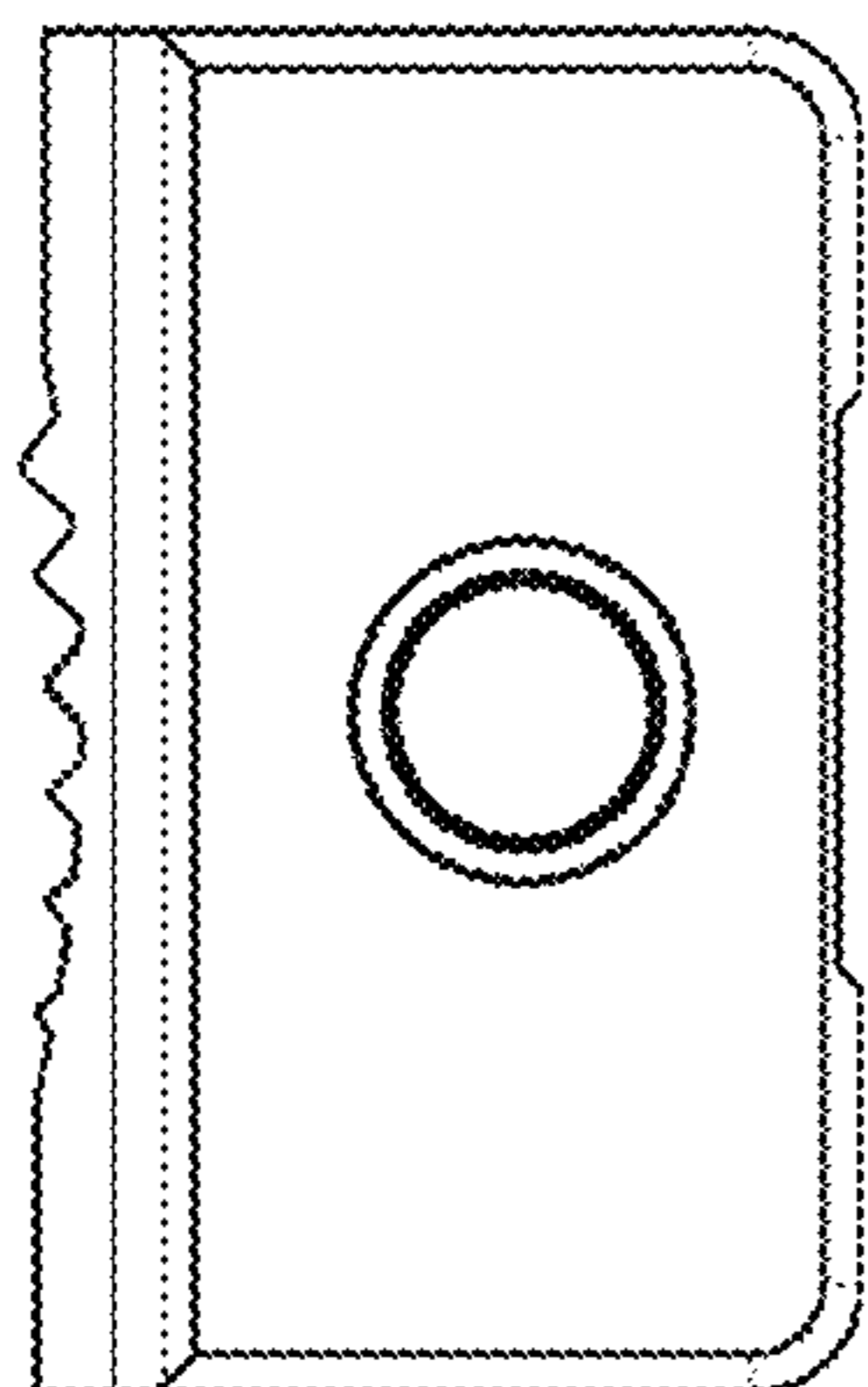


FIG. 1



FIG. 2

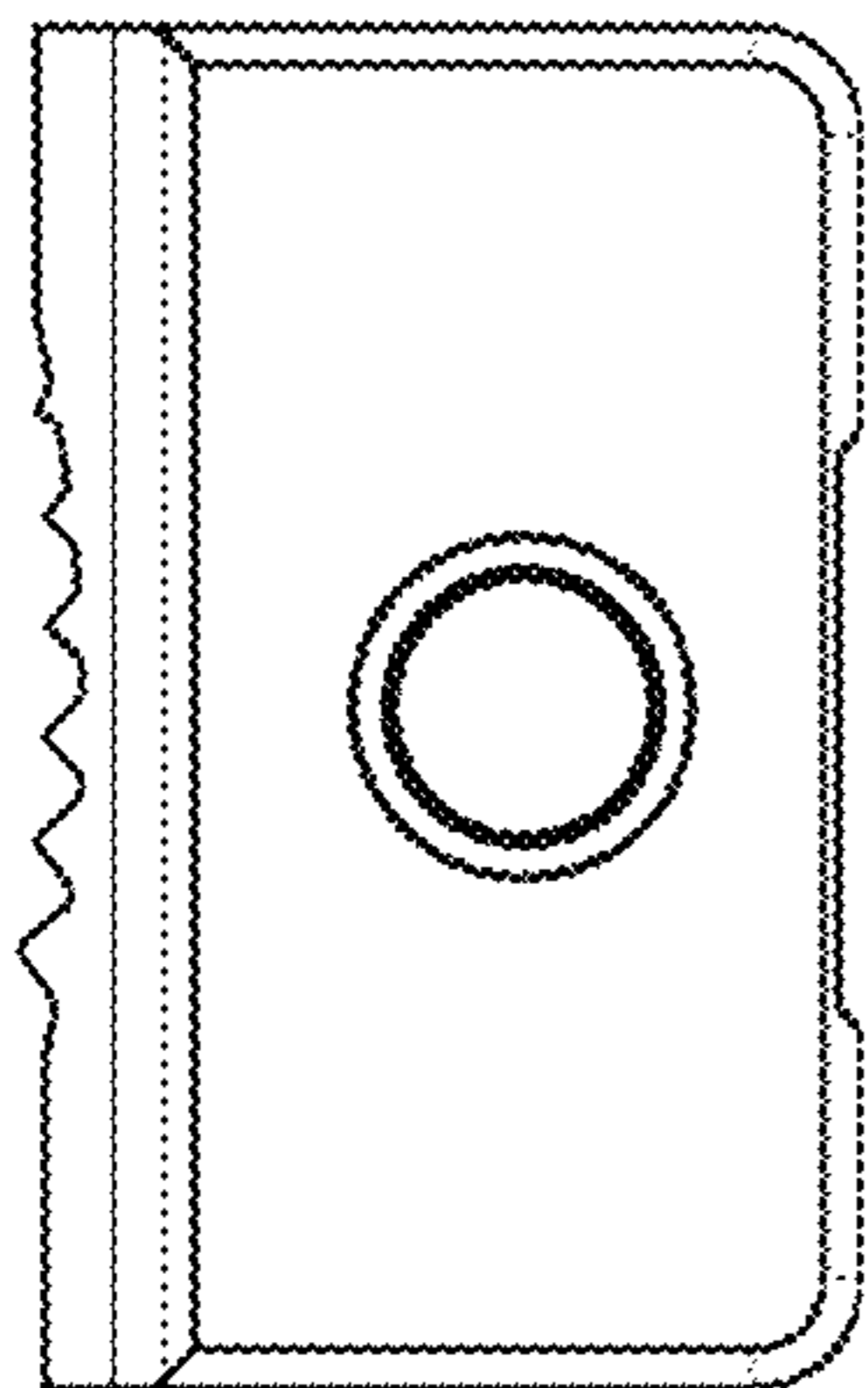


FIG. 3

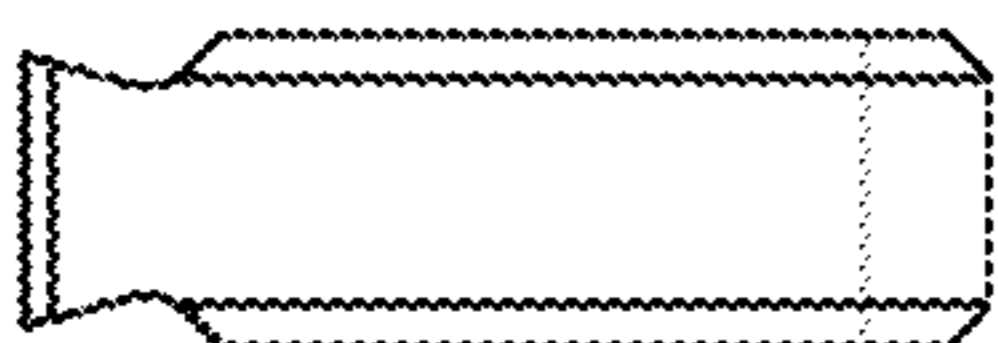


FIG. 4

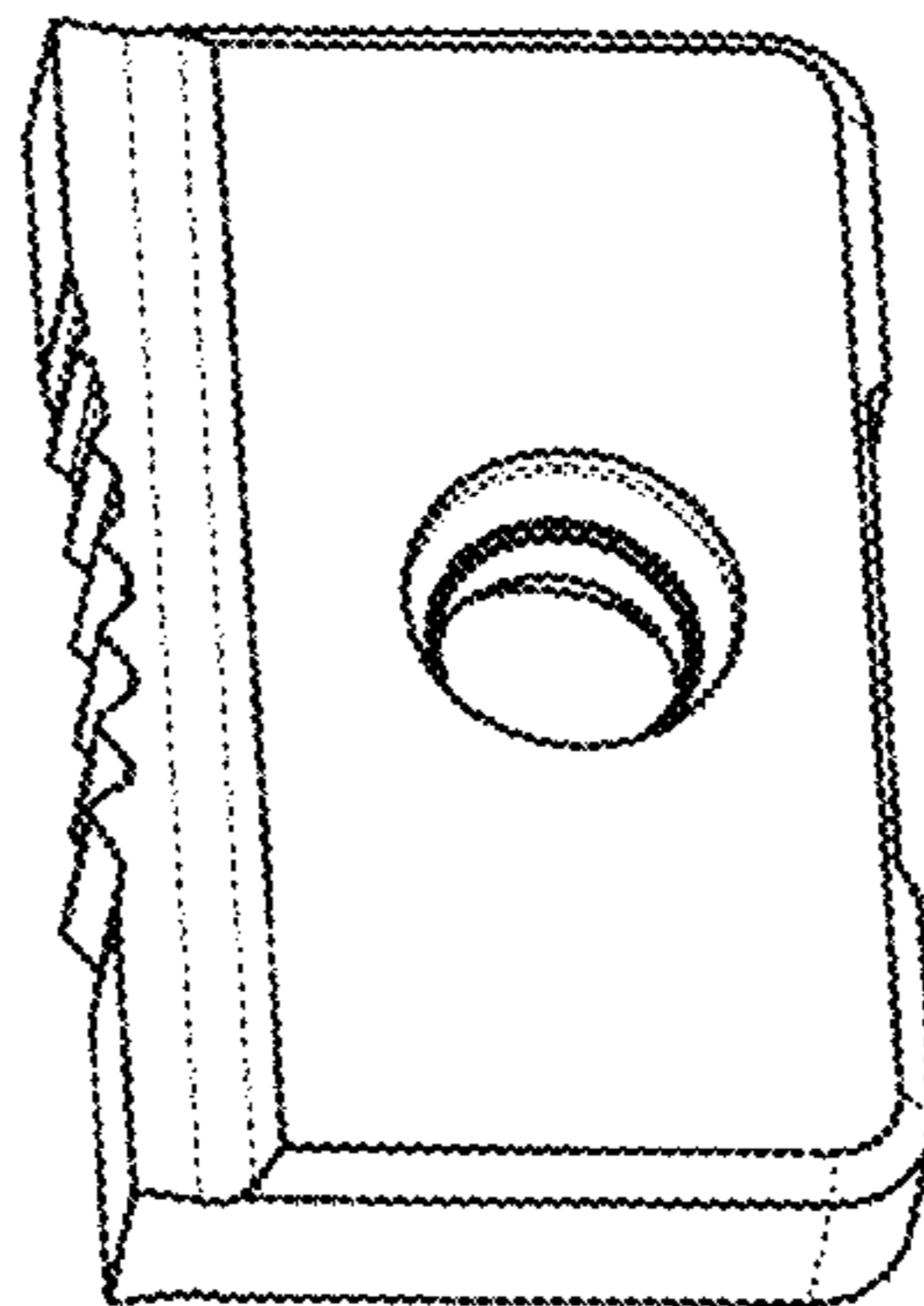


FIG. 5

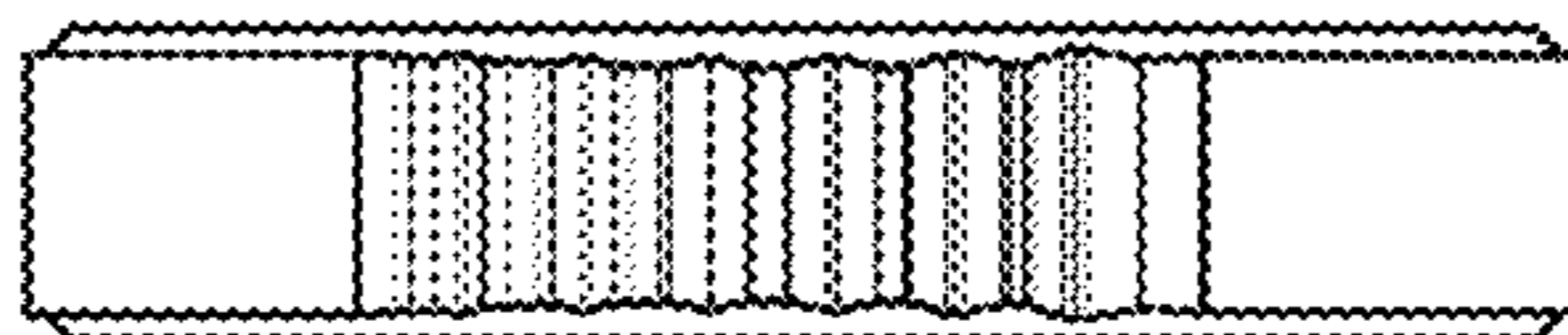


FIG. 6



FIG. 7

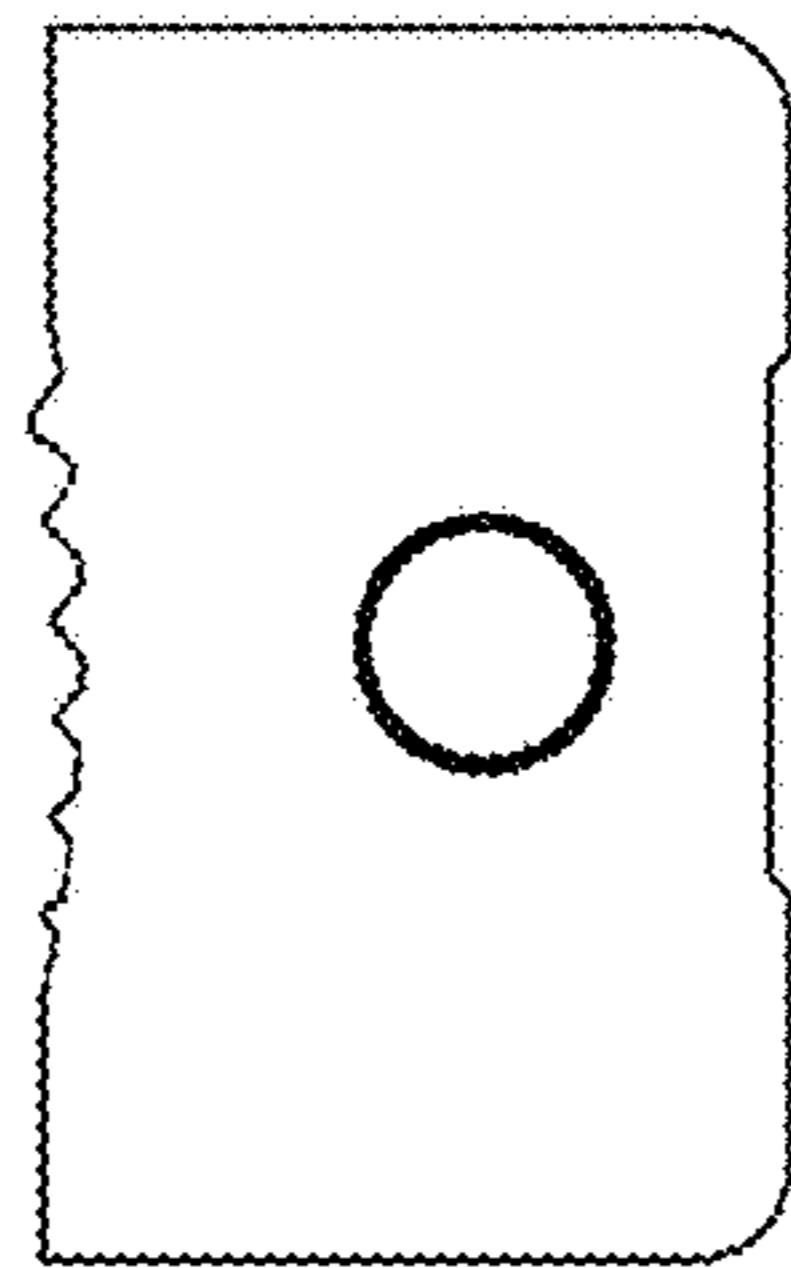


FIG. 8



FIG. 9

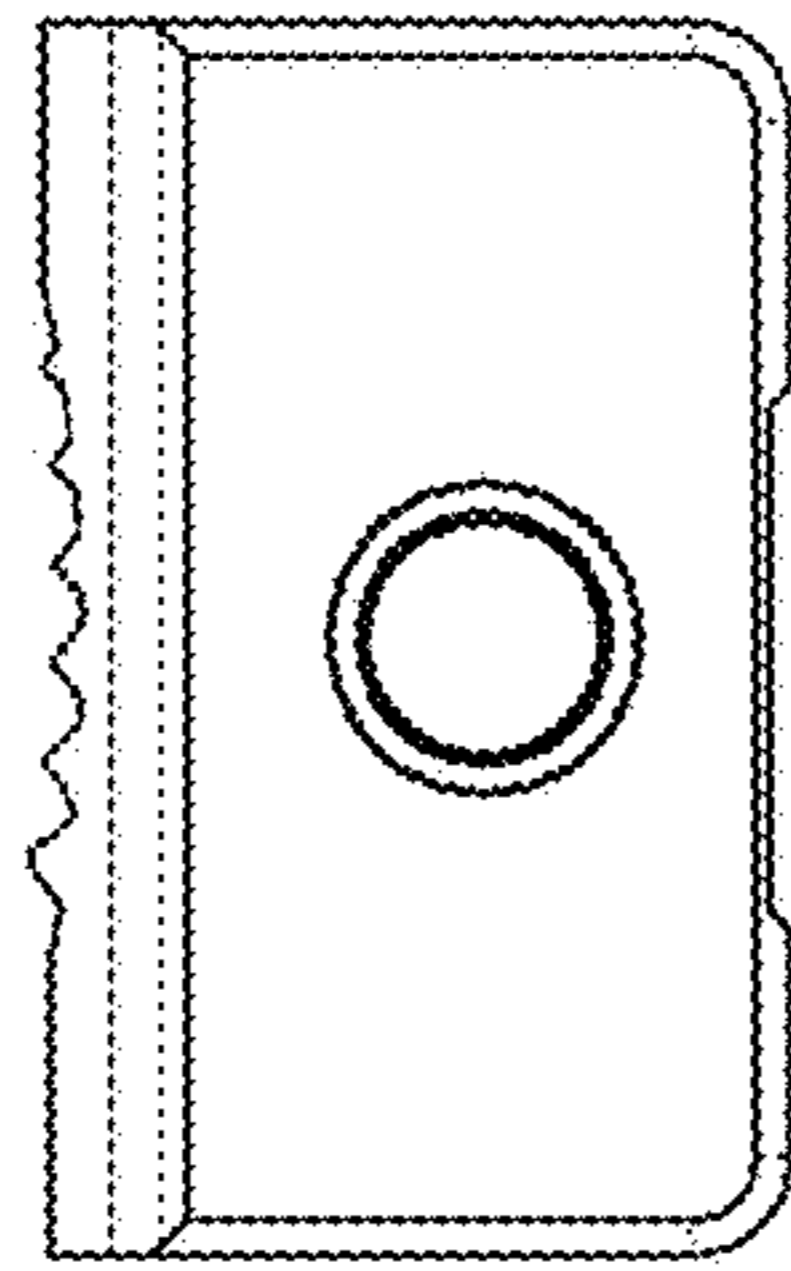


FIG. 10



FIG. 11

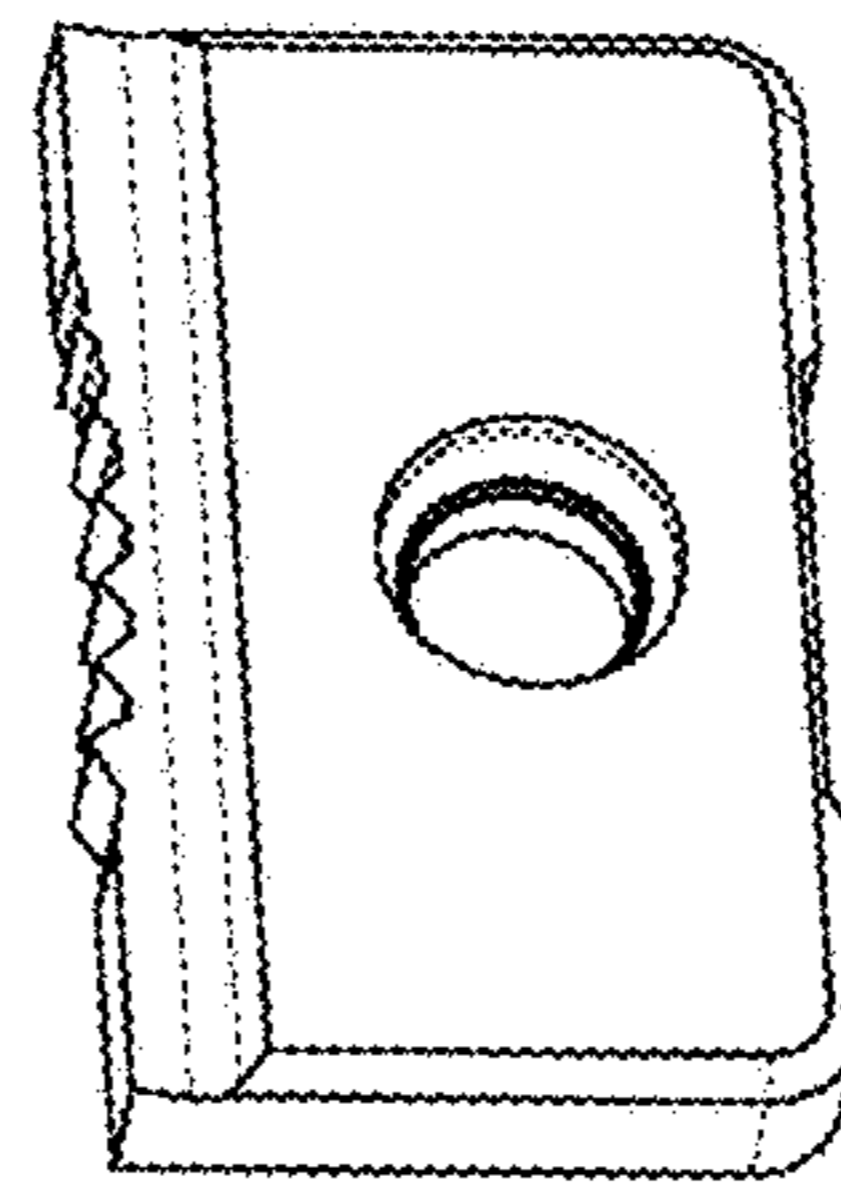


FIG. 12



FIG. 13



FIG. 14