



US00D786322S

(12) **United States Design Patent**
Kim et al.

(10) **Patent No.:** **US D786,322 S**

(45) **Date of Patent:** **** May 9, 2017**

(54) **DOOR GUARD FOR REFRIGERATOR**

(71) Applicant: **Samsung Electronics Co., Ltd.**,
Suwon-si (KR)

(72) Inventors: **Aeryun Kim**, Ansan-si (KR); **Seon-Ju Lee**, Seoul (KR); **Jaemin Lee**, Incheon (KR); **Junhyeok Choi**, Seongnam-si (KR)

(73) Assignee: **Samsung Electronics Co., Ltd.**,
Suwon-si (KR)

(**) Term: **15 Years**

(21) Appl. No.: **29/557,875**

(22) Filed: **Mar. 14, 2016**

(30) **Foreign Application Priority Data**

Oct. 1, 2015 (KR) 30-2015-0049660

(51) **LOC (10) Cl.** **15-07**

(52) **U.S. Cl.**
USPC **D15/89**

(58) **Field of Classification Search**
USPC D15/79-91
CPC F25D 11/00; F25D 11/02; F25D 13/00;
F25D 19/00; F25D 21/00; F25D 23/00;
F25D 2321/1441; F25D 2325/021; F25D
2325/022; F25D 2325/023
See application file for complete search history.

(56) **References Cited**

U.S. PATENT DOCUMENTS

D511,535 S * 11/2005 Grobleben D15/89
D513,757 S * 1/2006 Grobleben D15/89
D515,114 S * 2/2006 Grobleben D15/89
D522,542 S * 6/2006 Czach et al.
D603,883 S * 11/2009 Placke D15/89
D649,985 S * 12/2011 Jeon D15/89

D661,325 S * 6/2012 Yang D15/89
D676,468 S * 2/2013 Lee D15/89
D695,796 S * 12/2013 Lee D15/89
D707,267 S * 6/2014 Choi D15/89
D710,404 S * 8/2014 Park D15/89
D710,406 S * 8/2014 Seo D15/89
D716,850 S * 11/2014 Seo D15/89
D724,118 S * 3/2015 Kim D15/89
D733,770 S * 7/2015 Park D15/89
D745,068 S * 12/2015 Jeon D15/89
D745,581 S * 12/2015 Jeon D15/89
D747,373 S * 1/2016 Lee D15/89
D753,197 S * 4/2016 Lee D15/89
D754,218 S * 4/2016 Jeon D15/89

(Continued)

FOREIGN PATENT DOCUMENTS

KR 30-2006-0035594 5/2007
KR 30-2013-0045450 5/2014

Primary Examiner — Ian Simmons

Assistant Examiner — Khawaja Anwar

(74) *Attorney, Agent, or Firm* — NSIP Law

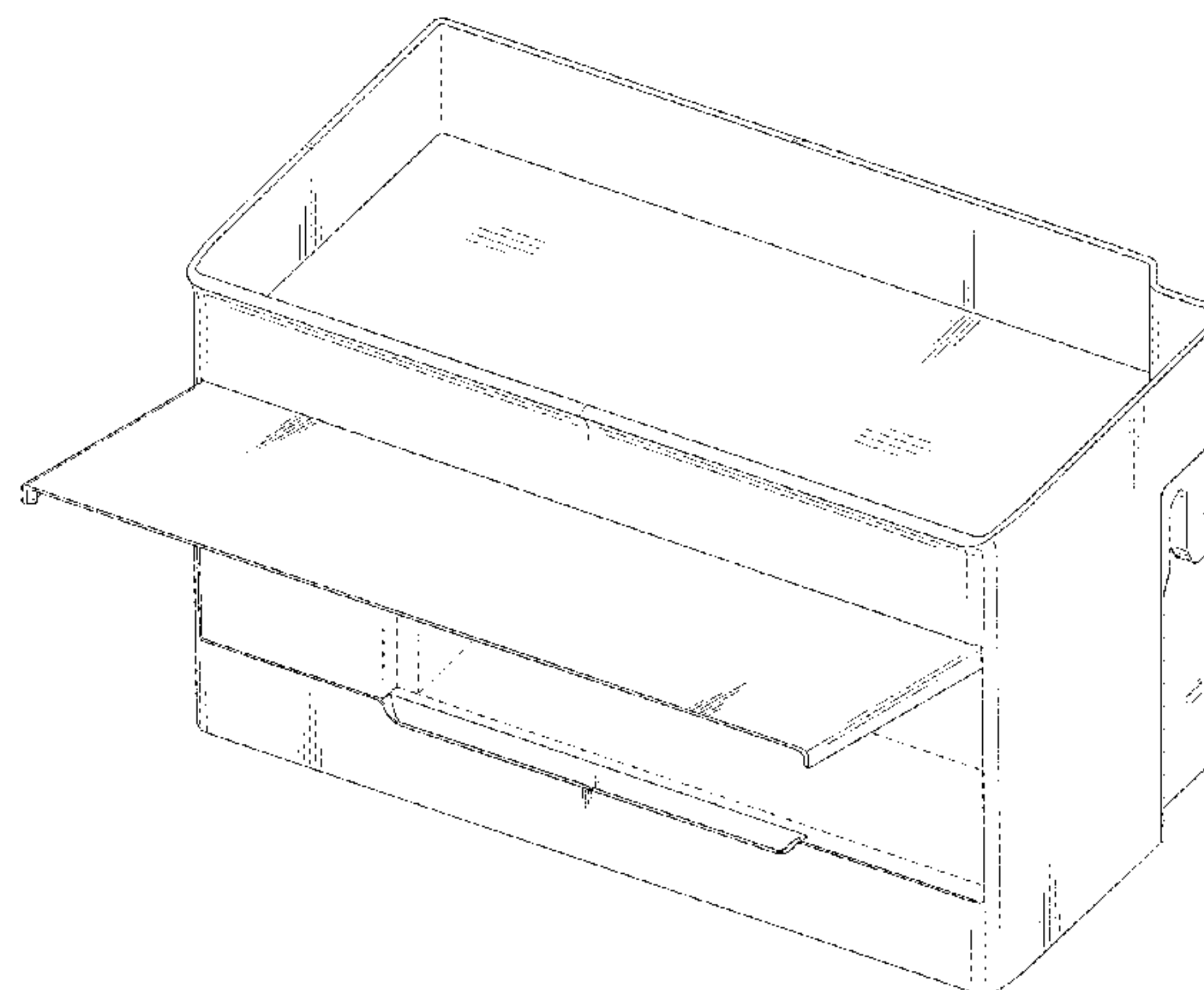
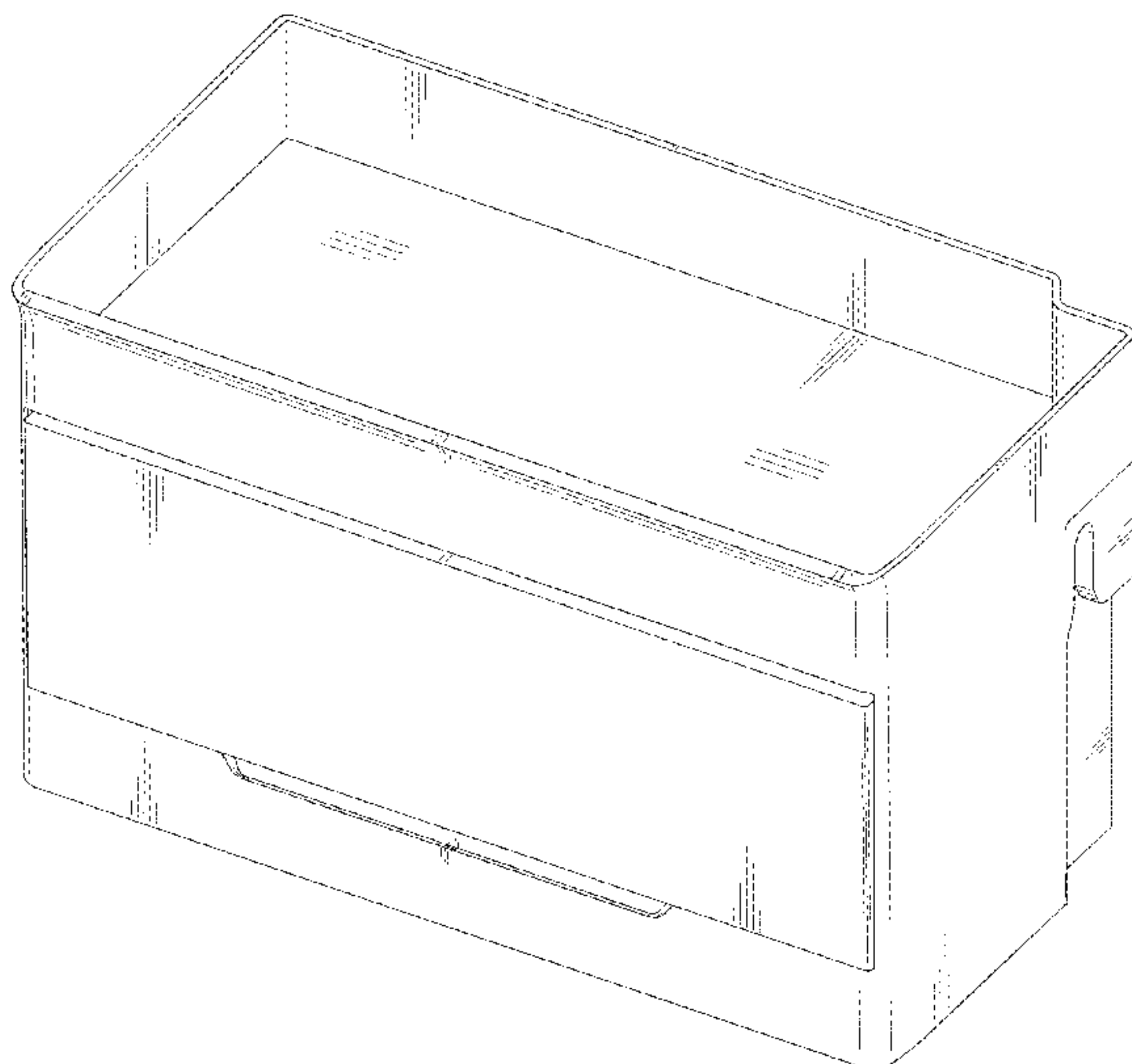
(57) **CLAIM**

We claim the ornamental design for a door guard for refrigerator, as shown and described.

DESCRIPTION

FIG. 1 is a front perspective view of a door guard for refrigerator showing our new design;
FIG. 2 is a front view thereof;
FIG. 3 is a rear view thereof;
FIG. 4 is a left-side view thereof;
FIG. 5 is a right-side view thereof;
FIG. 6 is a top view thereof;
FIG. 7 is a bottom view thereof; and,
FIG. 8 is a front perspective view of the door guard for refrigerator shown in an alternate configuration.
The broken lines in the figures depict environmental subject matter and form no part of the claimed design.

1 Claim, 8 Drawing Sheets



(56)

References Cited

U.S. PATENT DOCUMENTS

D759,734 S * 6/2016 Lee D15/89
D766,345 S * 9/2016 Lee D15/89

* cited by examiner

FIG. 1

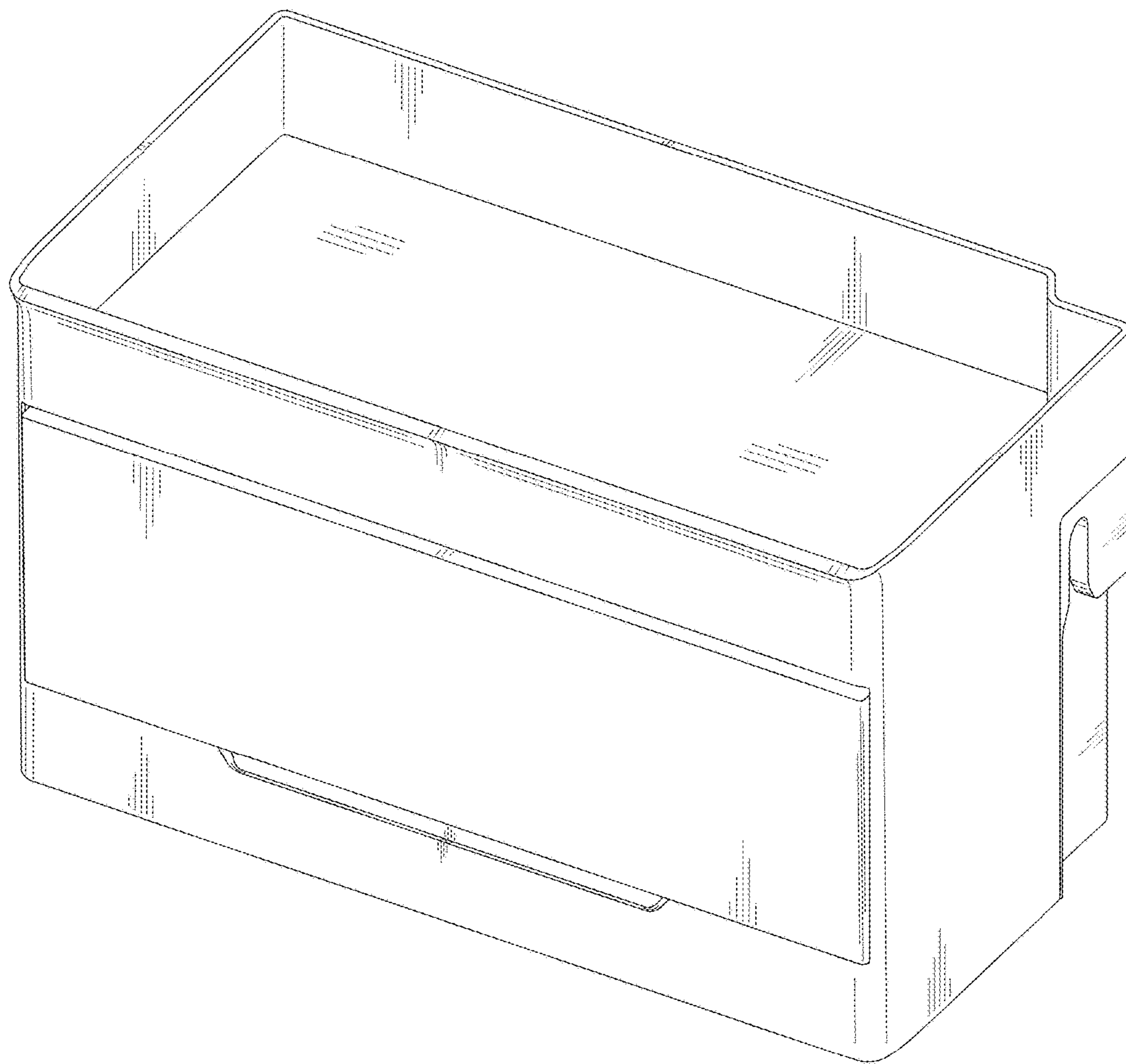


FIG. 2

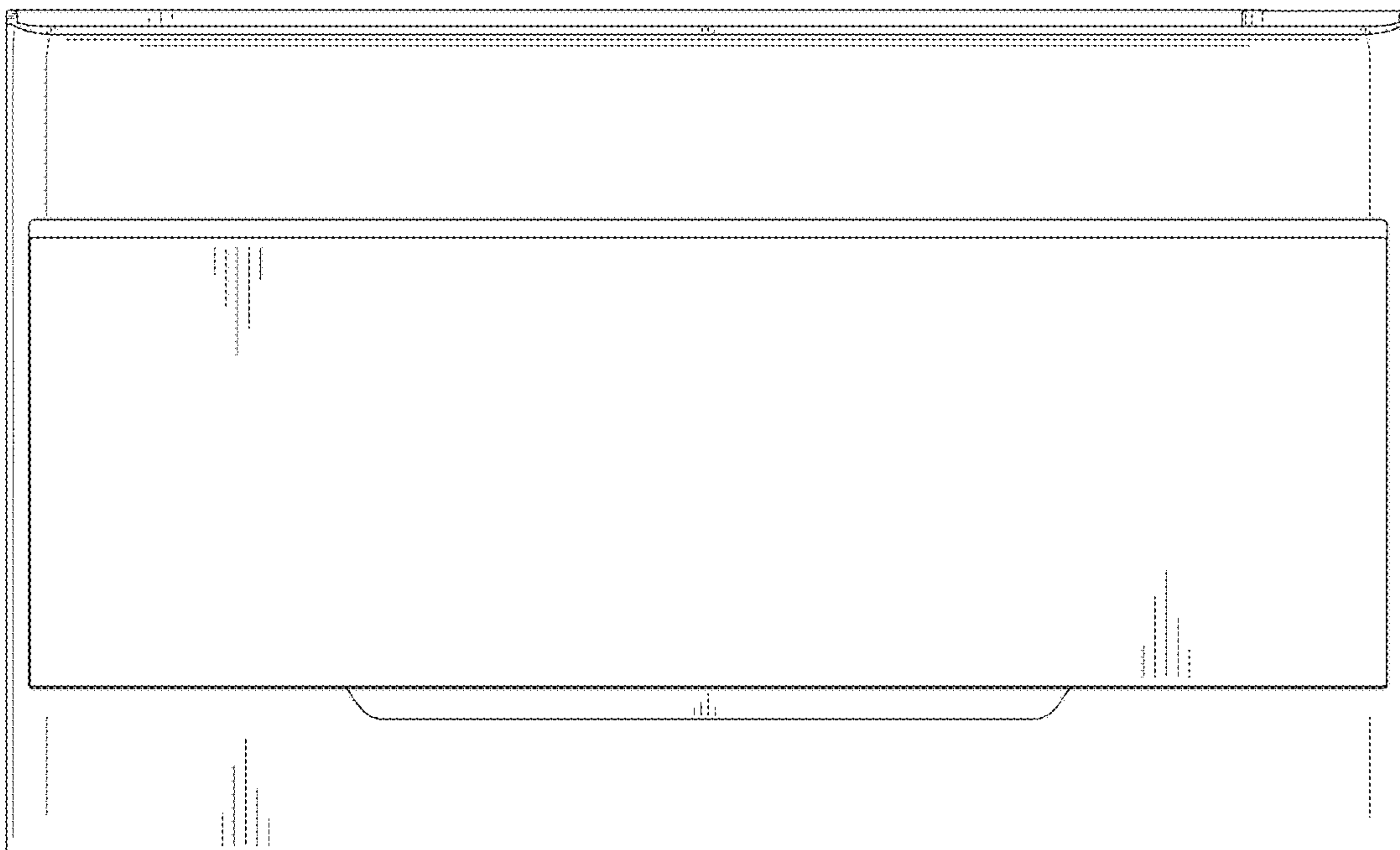


FIG. 3



FIG. 4

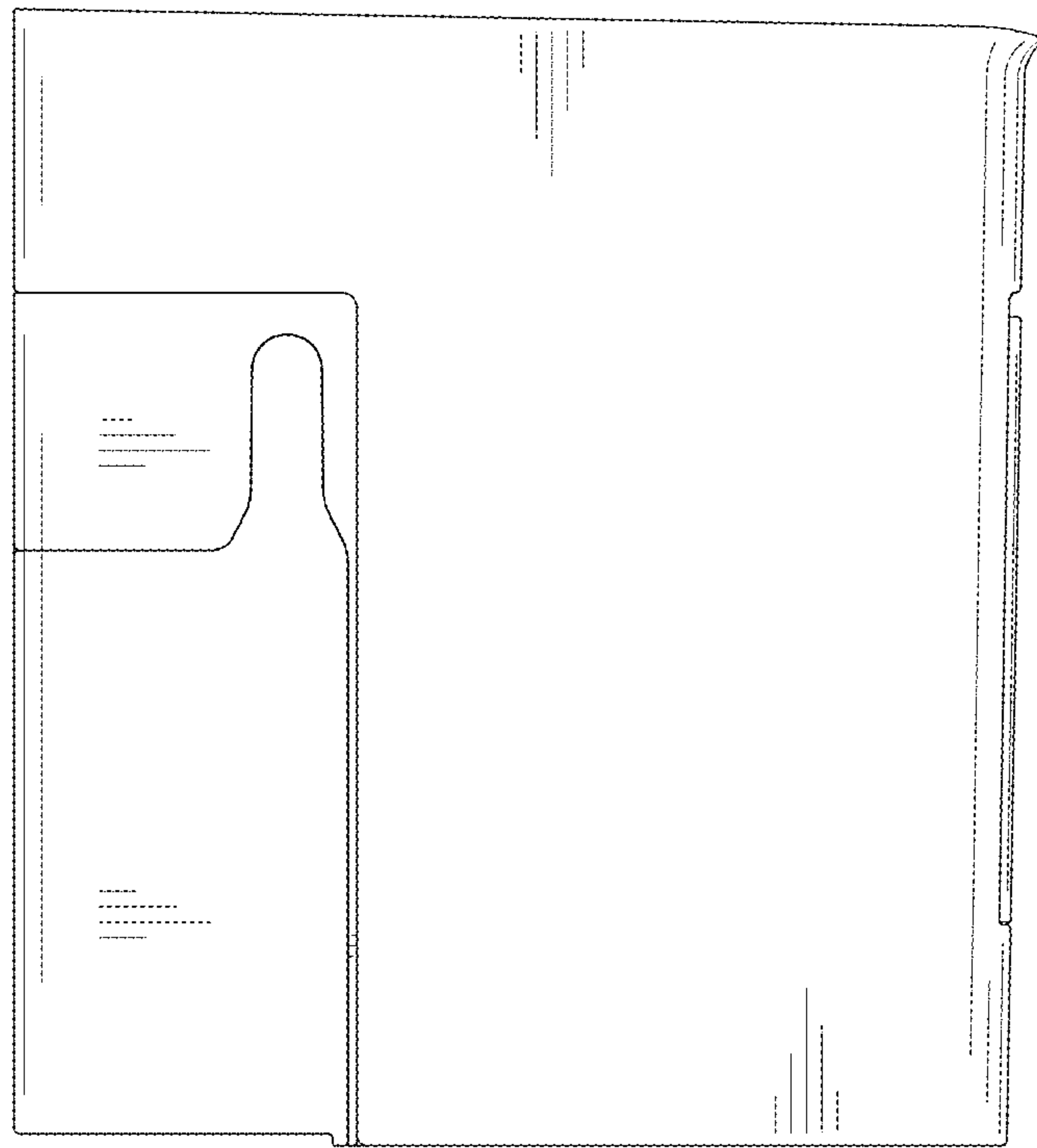


FIG. 5

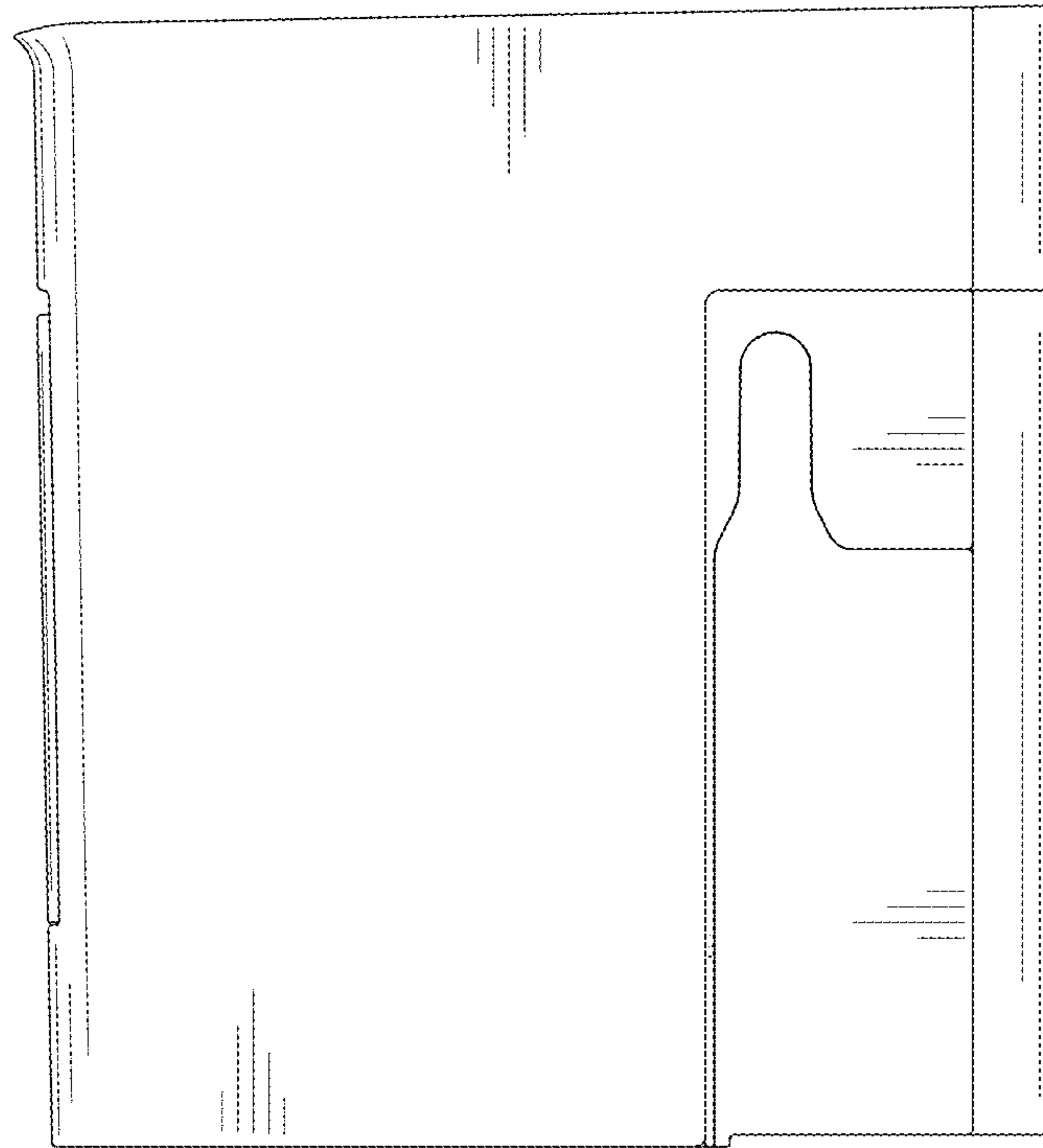


FIG. 6



FIG. 7

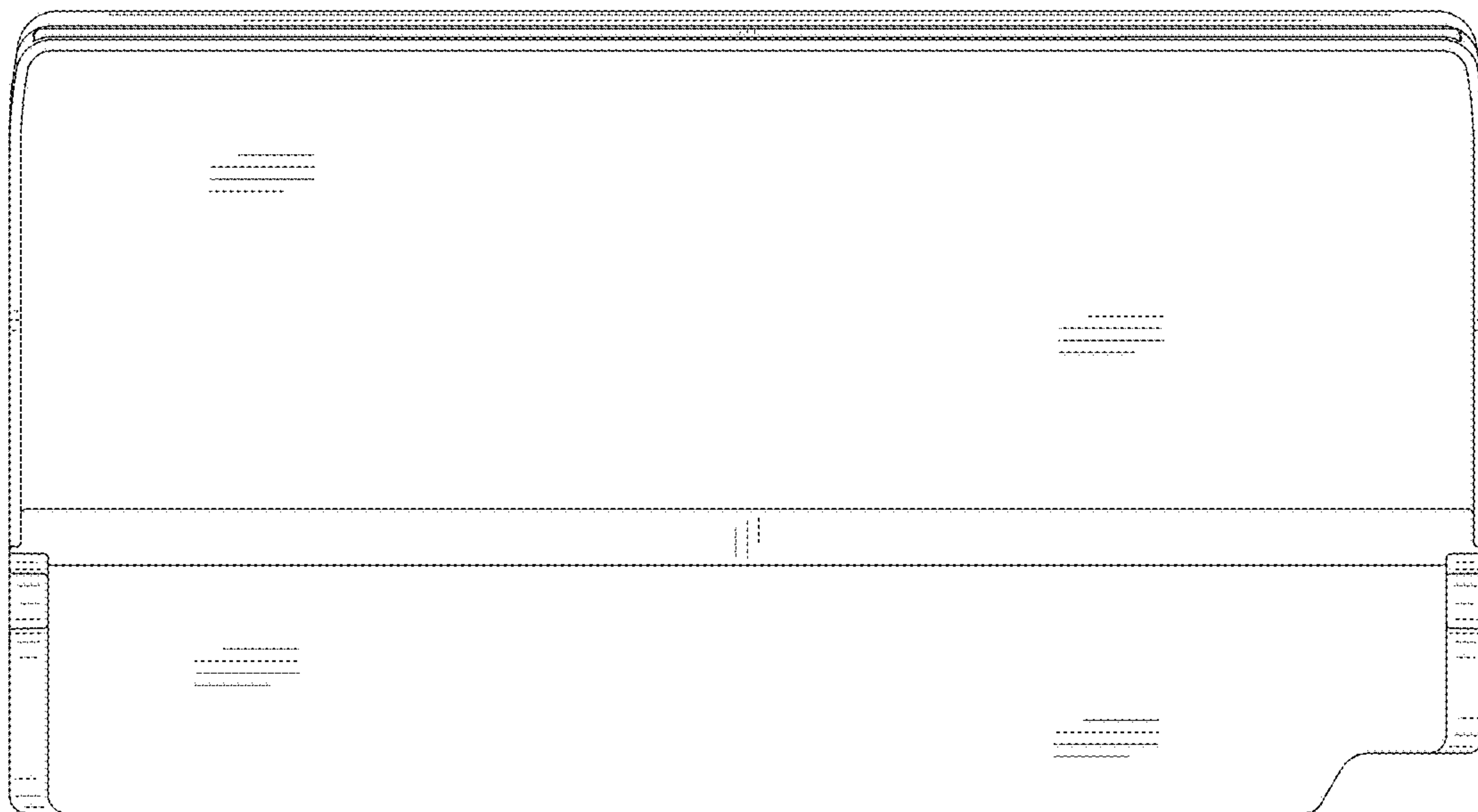


FIG. 8

