



US00D786321S

(12) **United States Design Patent**  
**Lee et al.**

(10) **Patent No.:** **US D786,321 S**  
(45) **Date of Patent:** **\*\* May 9, 2017**

(54) **DOOR GUARD FOR REFRIGERATOR**

(71) Applicant: **SAMSUNG ELECTRONICS CO., LTD.**, Suwon-si (KR)

(72) Inventors: **Junkyo Lee**, Seongnam-si (KR);  
**Jangwon Kim**, Seoul (KR);  
**Choongeun Lee**, Seoul (KR)

(73) Assignee: **SAMSUNG ELECTRONICS CO., LTD.**, Suwon-si, Gyeonggi-Do (KR)

(\*\*) Term: **15 Years**

(21) Appl. No.: **29/555,362**

(22) Filed: **Feb. 21, 2016**

(30) **Foreign Application Priority Data**

Aug. 21, 2015 (KR) ..... 30-2015-0042237

(51) **LOC (10) Cl.** ..... **15-07**

(52) **U.S. Cl.**  
USPC ..... **D15/89**

(58) **Field of Classification Search**

USPC ..... D15/79-91

CPC .... F25D 27/00; F25D 2323/021; F25D 23/00;

F25D 23/02; F25D 2400/361; F25D

2500/06; F25D 25/025; F25D 29/00;

F25D 29/005; F25D 11/00; F25D 11/02;

F25D 17/062; F25D 17/067; F25D 17/08;

F25D 21/04; F25D 2201/10; F25D

2300/00; F25D 2325/021; F25D 23/028;

F25D 23/04; F25D 23/062; F25D 23/067;

F25D 23/12; F25D 2400/02; F25D

2400/40; F25D 25/02; F25D 25/024;

F25D 2600/00; F25D 2700/00; F25D

2700/06; F25D 2700/08; F25D

(Continued)

(56) **References Cited**

**U.S. PATENT DOCUMENTS**

D676,468 S \* 2/2013 Lee ..... D15/89

D724,118 S \* 3/2015 Kim ..... D15/89

(Continued)

**FOREIGN PATENT DOCUMENTS**

KR 300385451 6/2005

KR 300447805 4/2007

KR 300761681 9/2014

**OTHER PUBLICATIONS**

Good Appliance, (Copyright 2015), pp. 1-2, Retrieved from the Internet Feb. 19, 2016, <URL:http://good-appliance.com/products/1114369>.

(Continued)

*Primary Examiner* — Ian Simmons

*Assistant Examiner* — Khawaja Anwar

(74) *Attorney, Agent, or Firm* — Cantor Colburn LLP

(57) **CLAIM**

The ornamental design for a door guard for refrigerator, as shown and described.

**DESCRIPTION**

FIG. 1 is a perspective view of a door guard for refrigerator, showing our new design;

FIG. 2 is a front view thereof;

FIG. 3 is a rear view thereof;

FIG. 4 is a side view thereof;

FIG. 5 is another side view thereof;

FIG. 6 is a top view thereof;

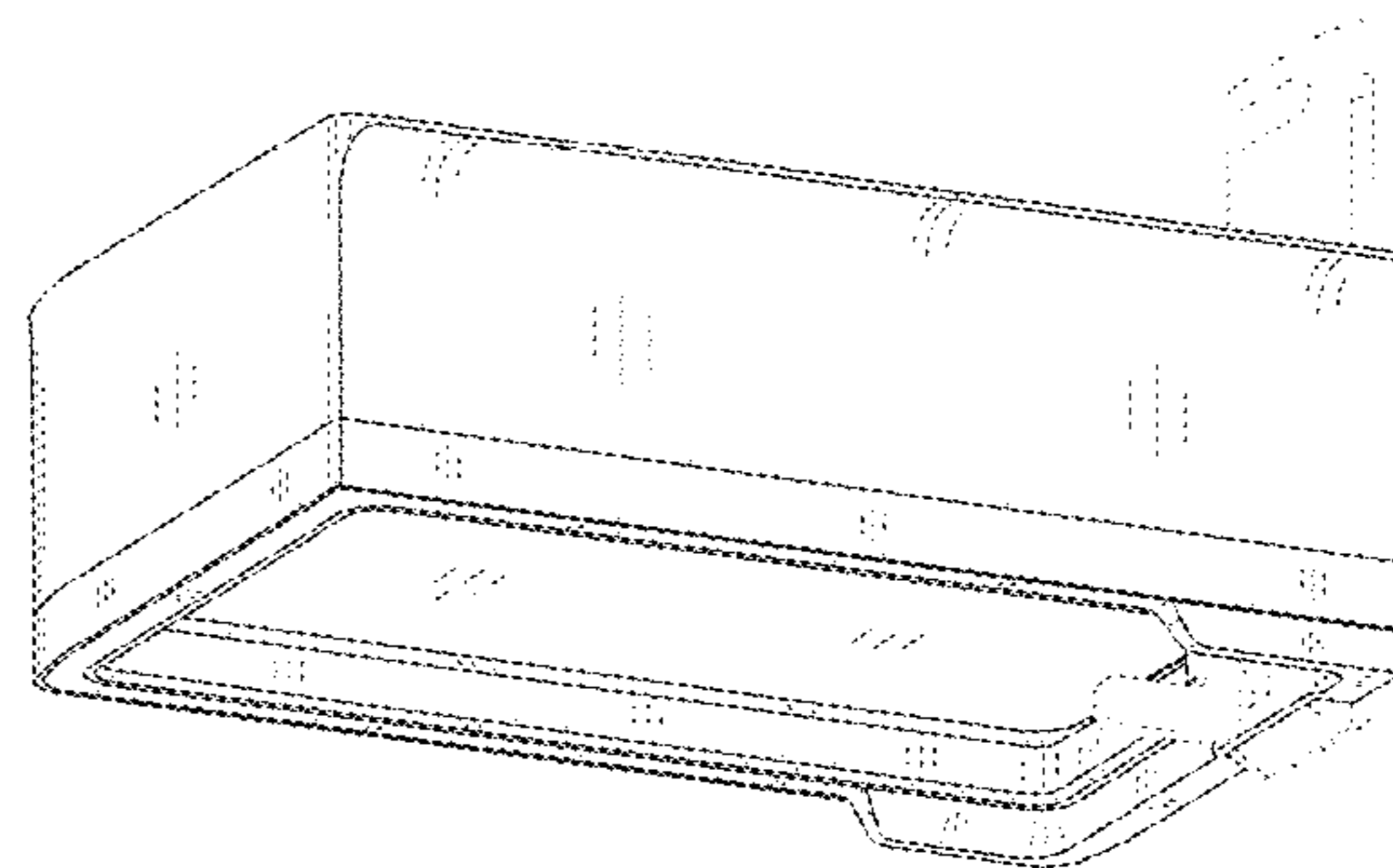
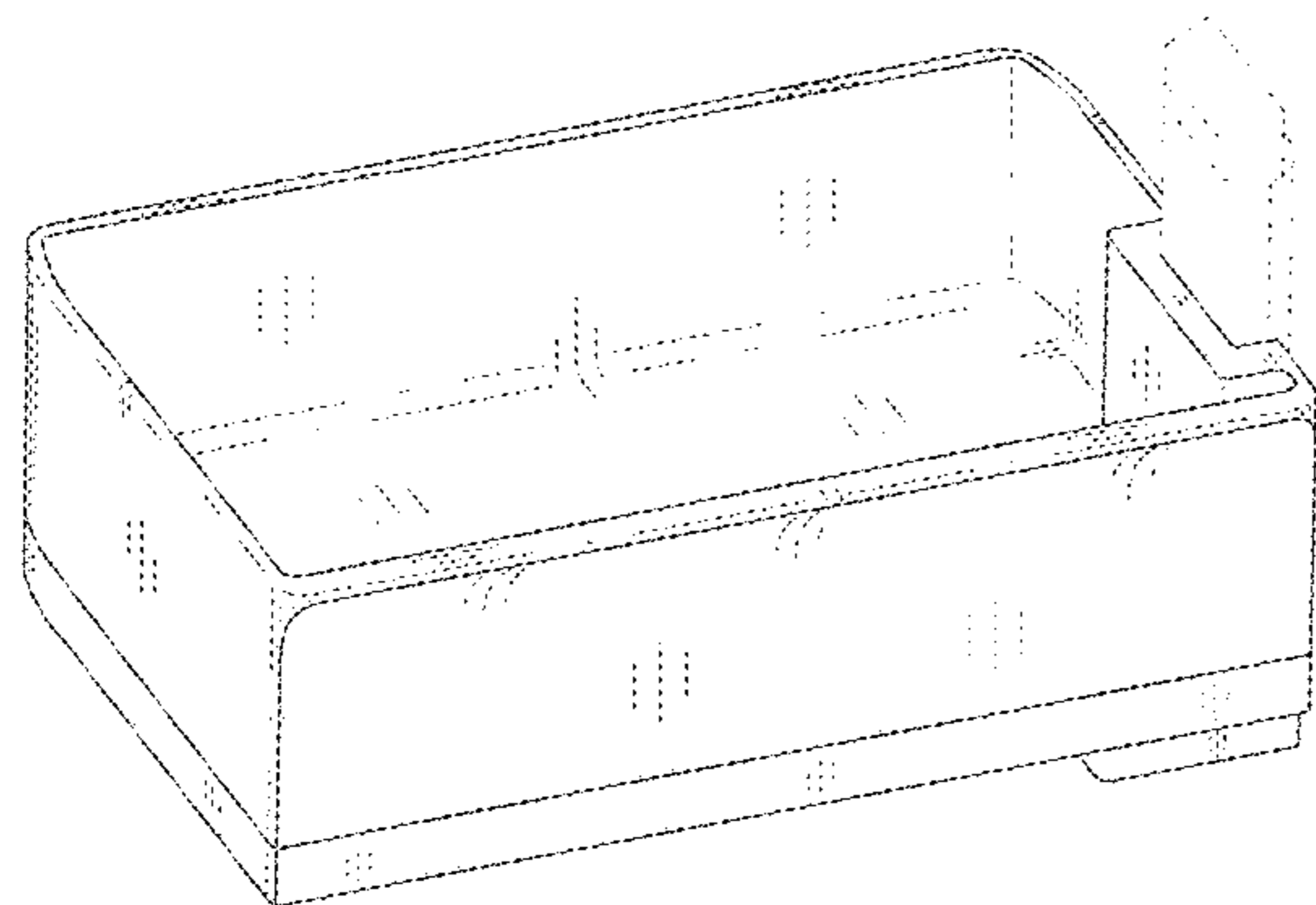
FIG. 7 is a bottom view thereof;

FIG. 8 is a bottom perspective view thereof; and,

FIG. 9 is another perspective view thereof in an environment of use.

The broken lines illustrating portions of the door guard for refrigerator form no part of the claimed design. The broken lines illustrating portions of a refrigerator door in FIG. 9 are for environmental purposes only and form no part of the claimed design.

**1 Claim, 9 Drawing Sheets**



(58) **Field of Classification Search**

CPC .. 2700/16; F25D 23/021; F25D 11/022; F25D 17/065; F25D 2700/02; F25D 11/025; F25D 17/042; F25D 23/10; F25D 25/04; F25D 15/00; F25D 17/045; F25D 2400/36; F25D 17/02; F25D 2317/043; F25D 23/003; F25D 23/065; F25D 2700/123; F25D 2317/061; F25D 23/069; F25D 23/087; F25D 11/006; F25D 11/027

See application file for complete search history.

(56) **References Cited**

U.S. PATENT DOCUMENTS

D733,770	S	*	7/2015	Park	.....	D15/89
D733,773	S	*	7/2015	Lee	.....	D15/89
D738,408	S	*	9/2015	Lee	.....	D15/89
D745,068	S	*	12/2015	Jeon	.....	D15/89
D745,581	S	*	12/2015	Jeon	.....	D15/89
D753,197	S	*	4/2016	Lee	.....	D15/89
D754,759	S	*	4/2016	McConnell	.....	D15/89
D759,734	S	*	6/2016	Lee	.....	D15/89
D773,540	S	*	12/2016	Heck	.....	D15/89
D774,114	S	*	12/2016	Lee	.....	D15/89

OTHER PUBLICATIONS

Whirlpool W10321304 Bin for Refrigerator, (Copyright 1996-2016), pp. 1-7, Retrieved from the Internet Feb. 19, 2016, <URL:[http://www.amazon.com/Whirlpool-W10321304-Bin-for-Refrigerator/dp/B004XLEK3U/ref=pd\\_sim\\_60\\_1?ie=UTF8&refRID=1YWGY9MEHHCNJX56H7S3](http://www.amazon.com/Whirlpool-W10321304-Bin-for-Refrigerator/dp/B004XLEK3U/ref=pd_sim_60_1?ie=UTF8&refRID=1YWGY9MEHHCNJX56H7S3)>.

\* cited by examiner

FIG. 1

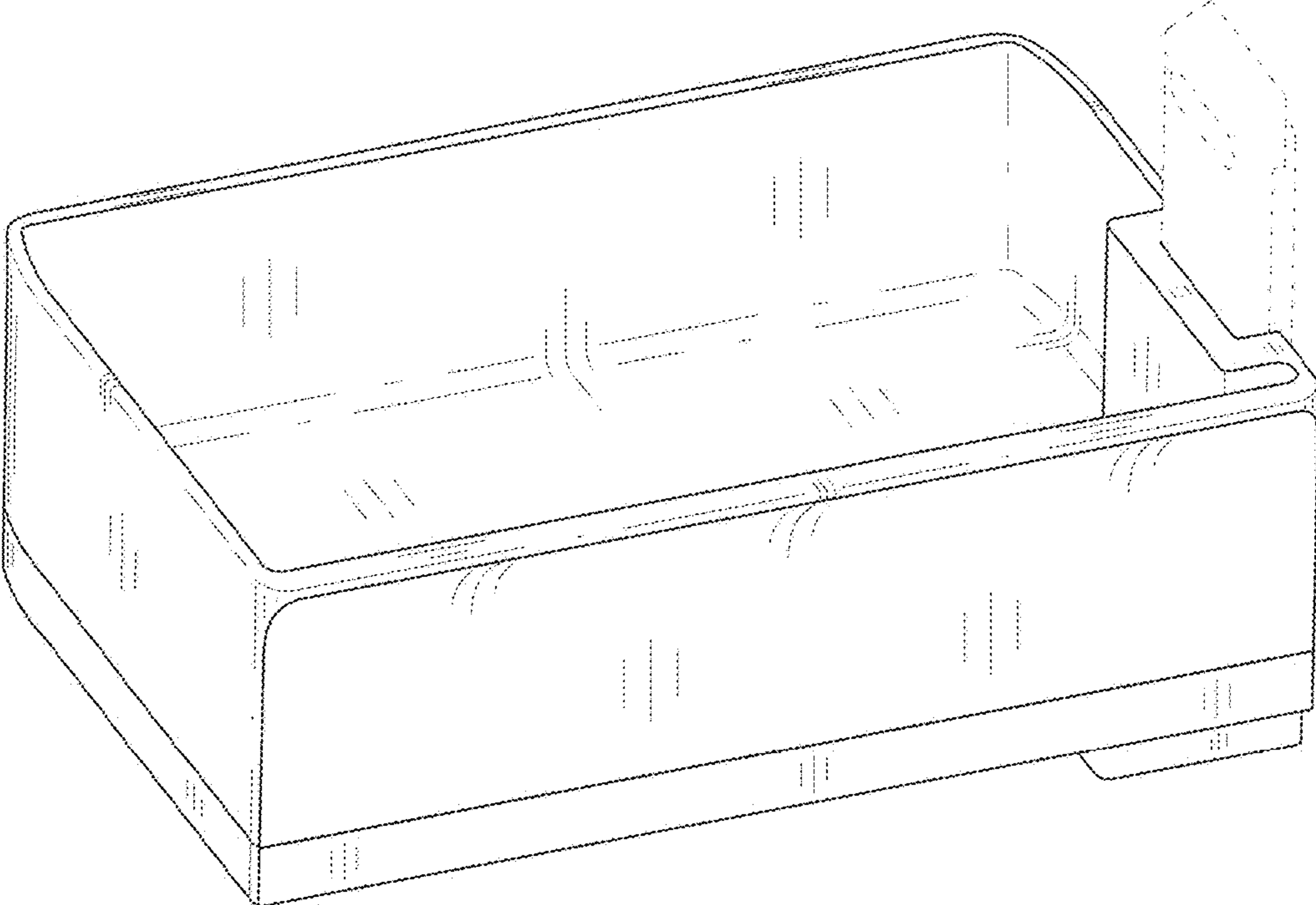


FIG. 2

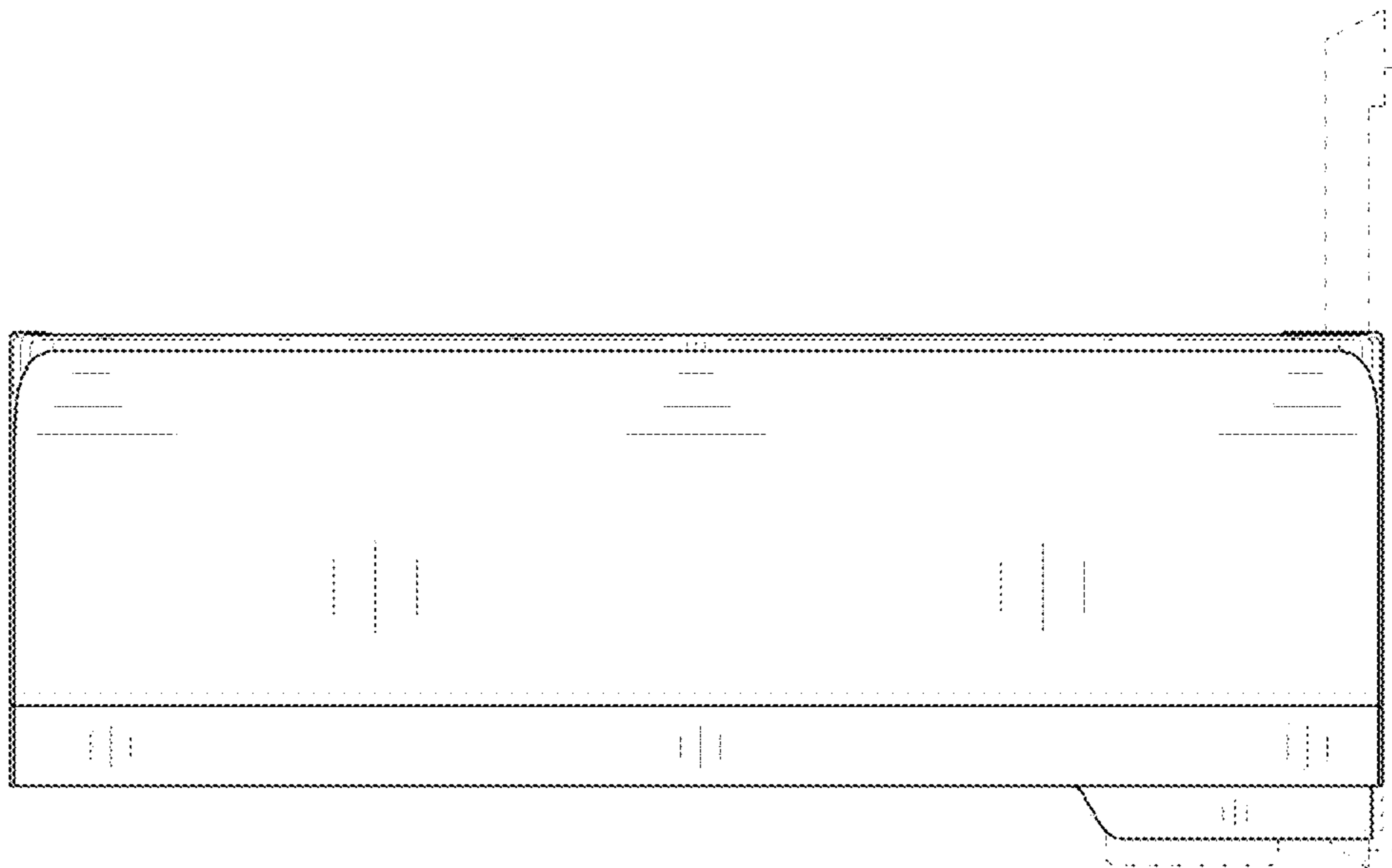


FIG. 3

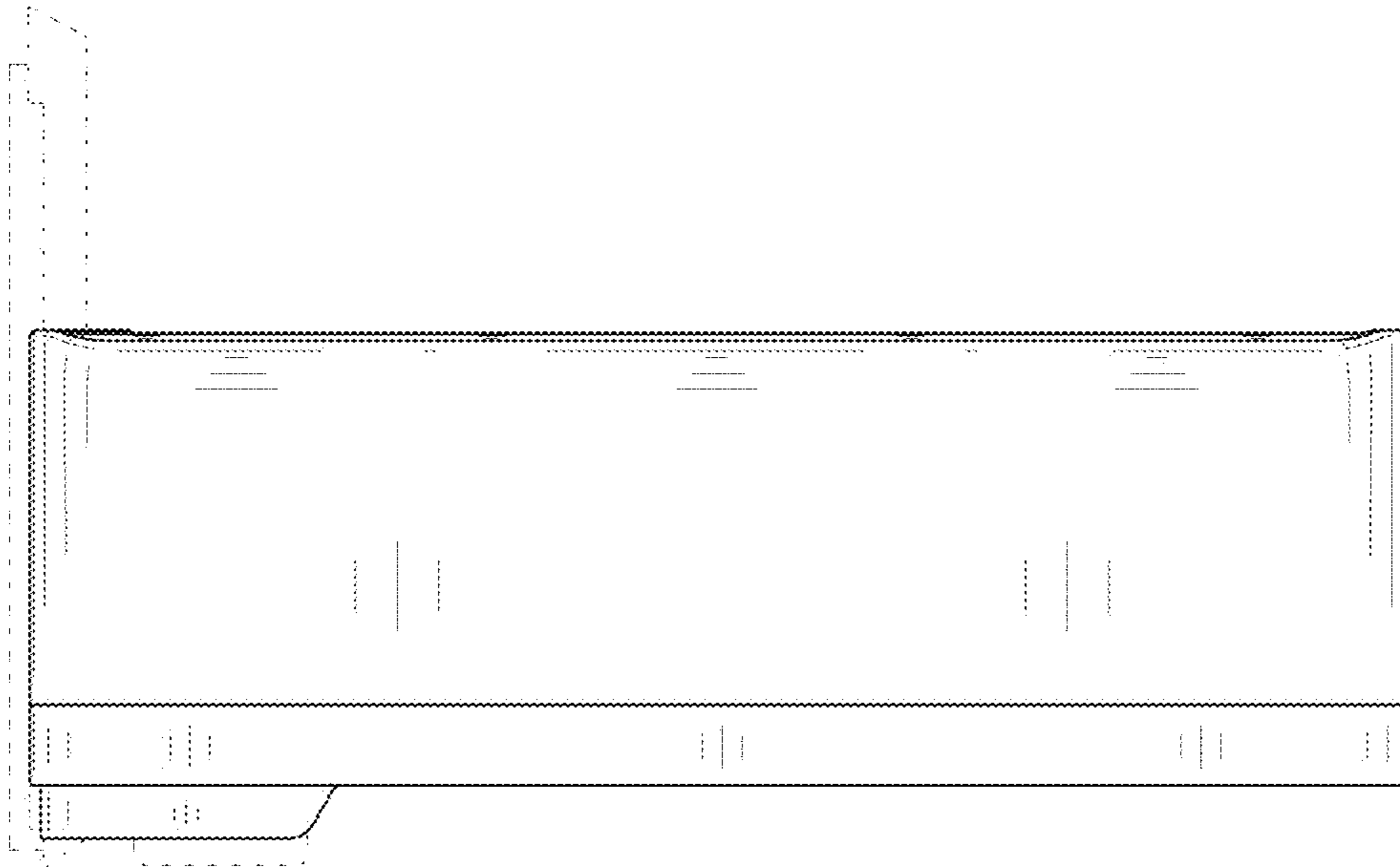


FIG. 4

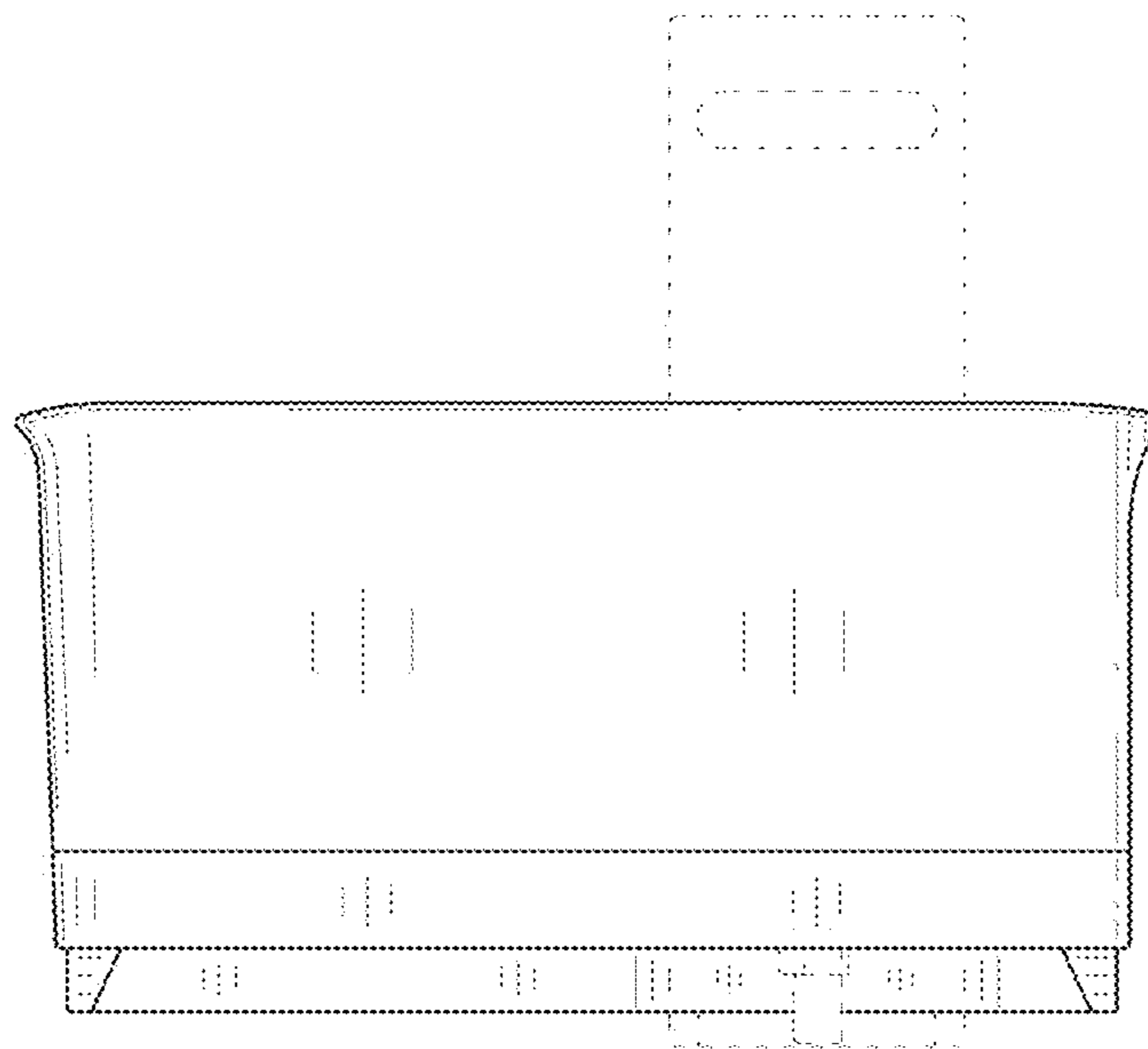


FIG. 5

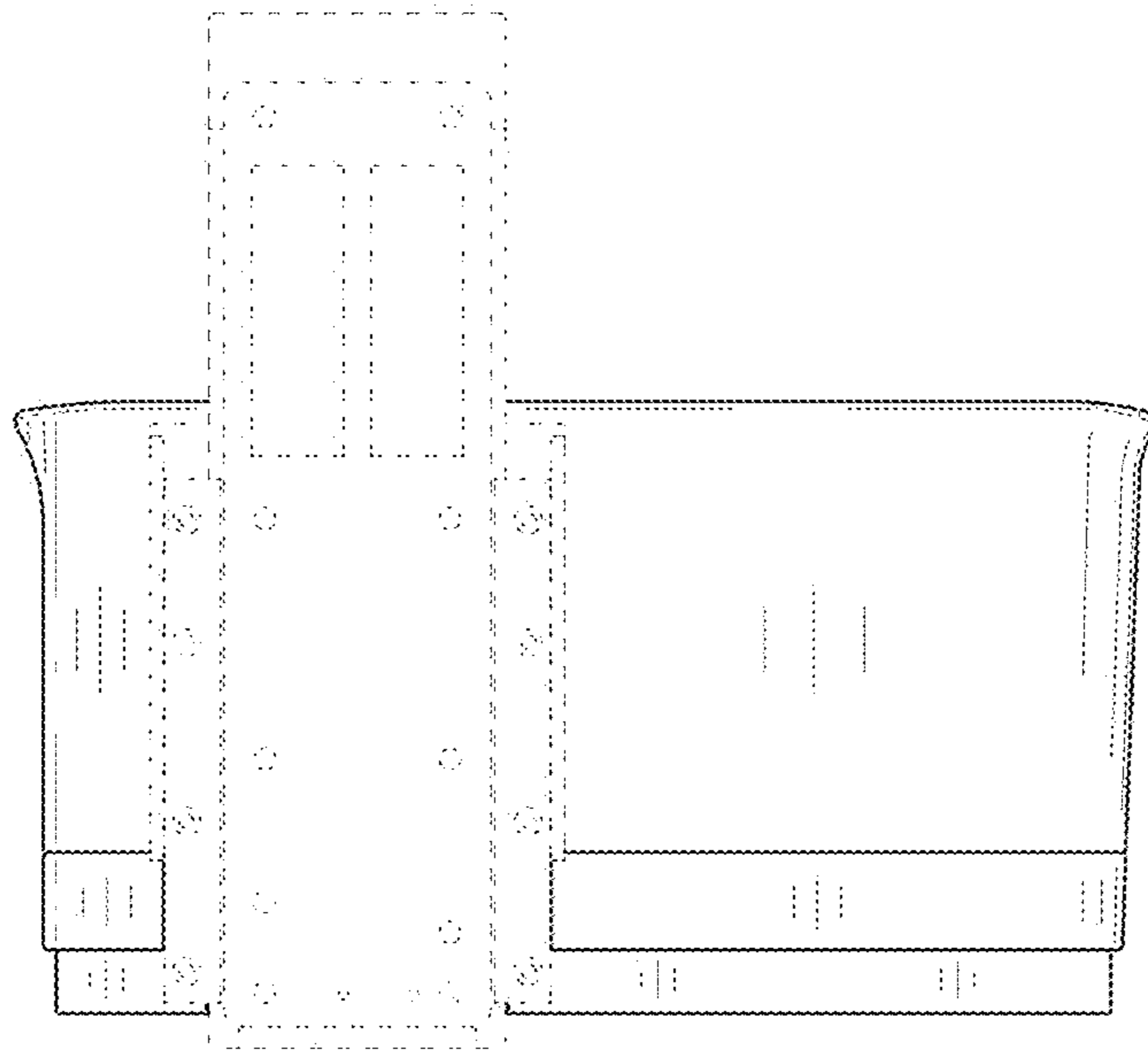




FIG. 6

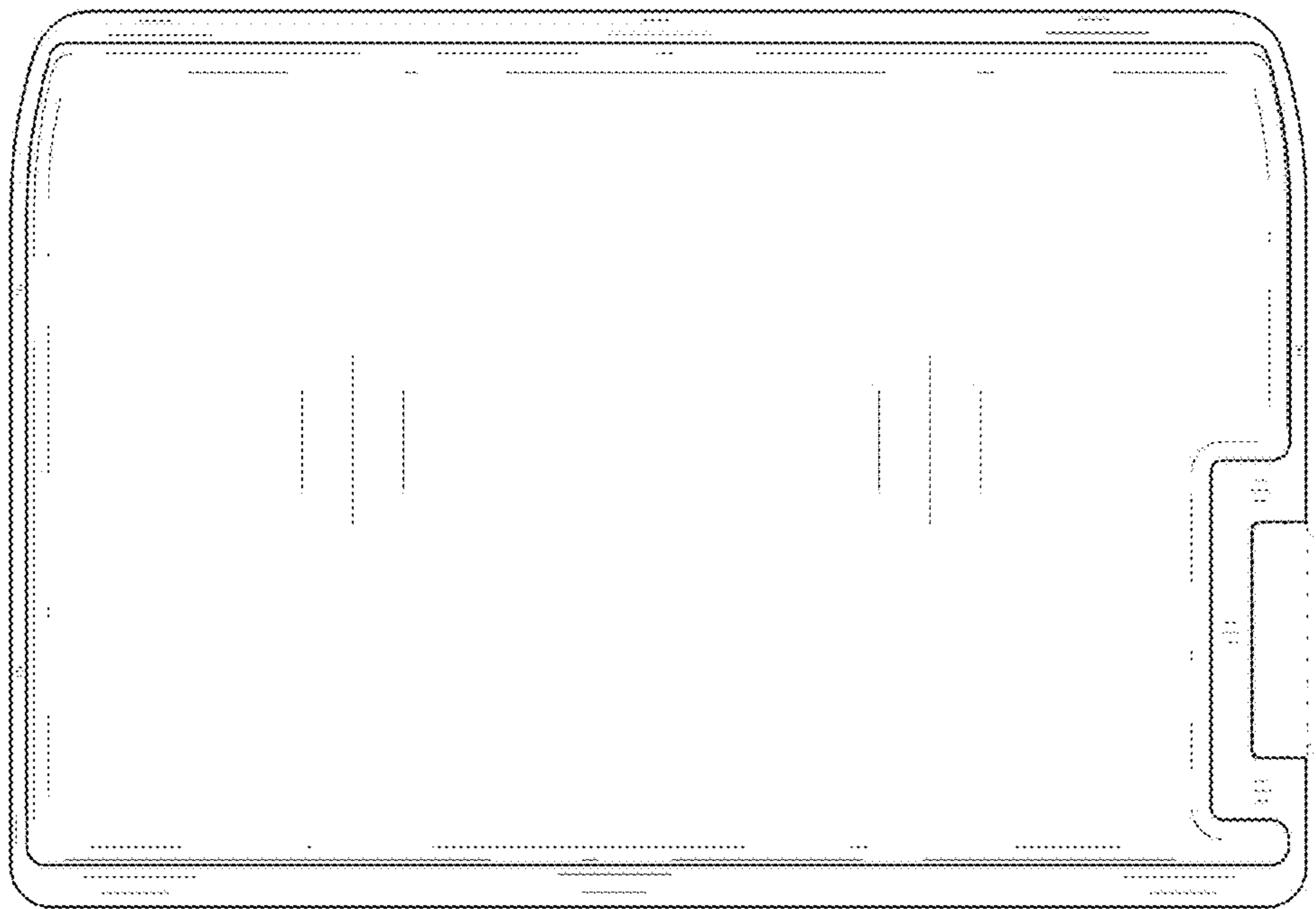




FIG. 7

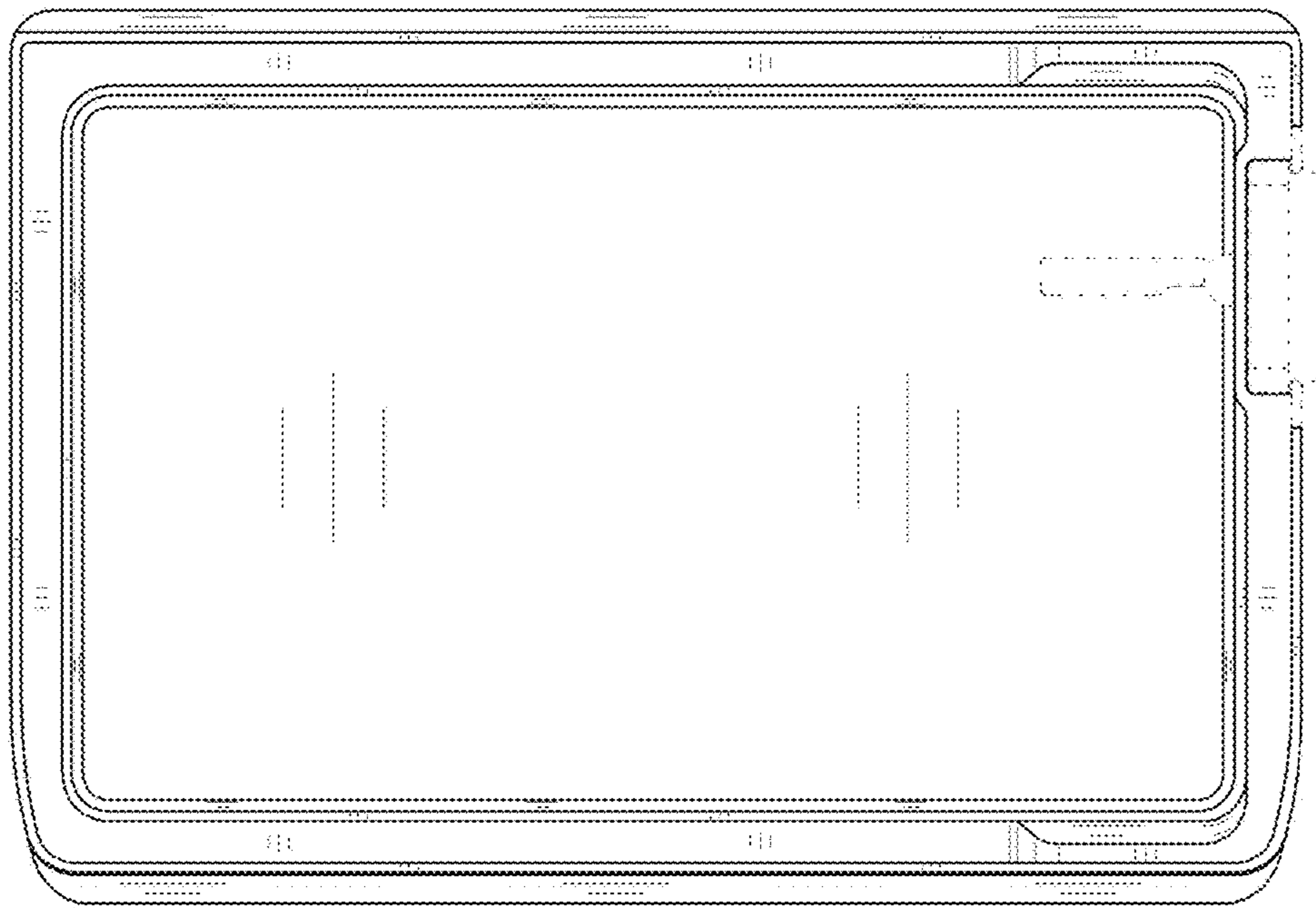


FIG. 8

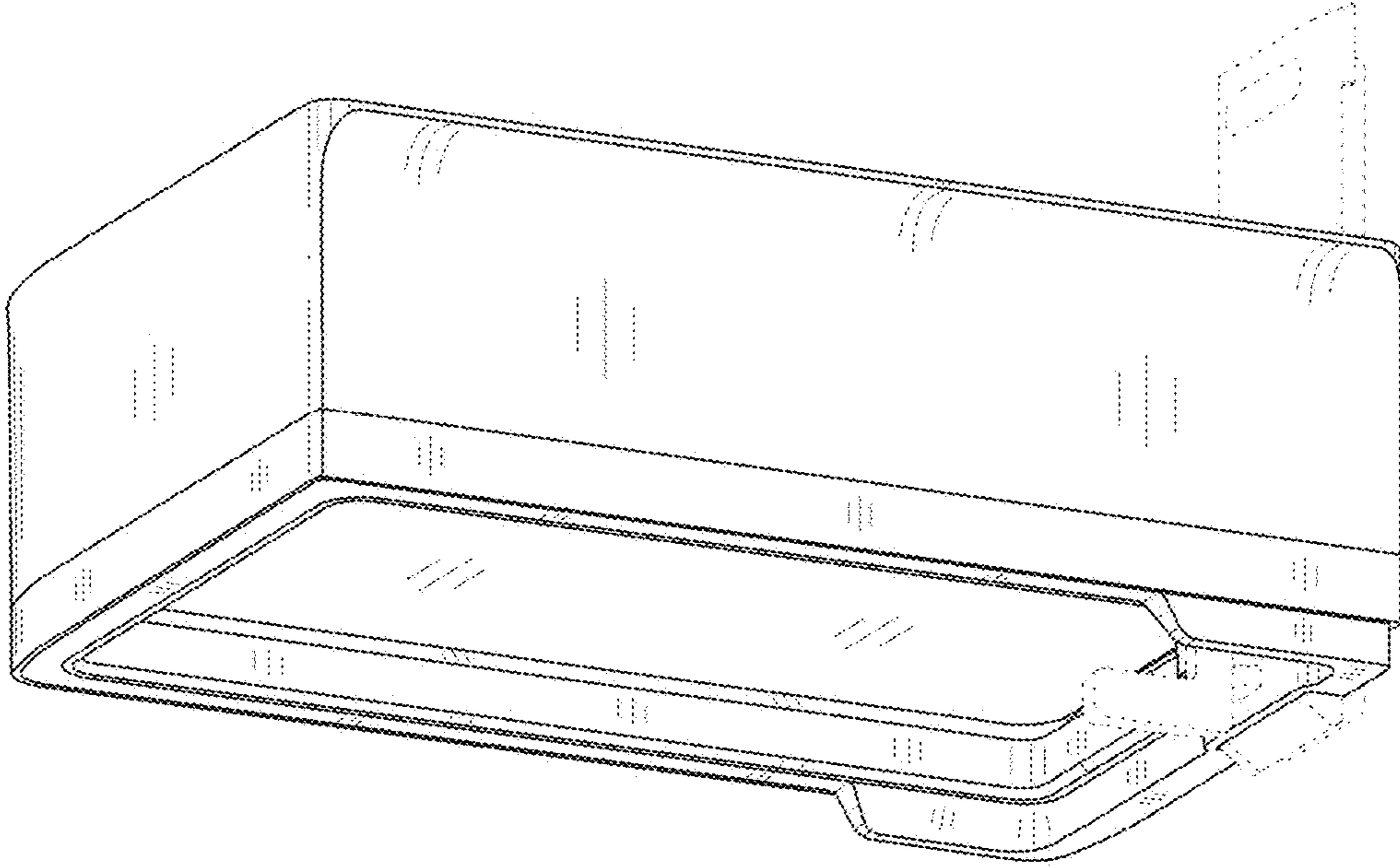


FIG. 9

