



US00D786317S

(12) **United States Design Patent** (10) **Patent No.:** **US D786,317 S**
Kim et al. (45) **Date of Patent:** **** May 9, 2017**

(54) **REFRIGERATOR**

2317/0664; F25D 2321/147; F25D 2323/02; F25D 2323/023

See application file for complete search history.

(71) Applicant: **Samsung Electronics Co., Ltd.**,
Suwon-si (KR)

(56) **References Cited**

(72) Inventors: **Ki-Soo Kim**, Gunpo-Si (KR);
Da-Jeong Kim, Seoul (KR); **Yeon-Jin Jo**, Suwon-si (KR)

U.S. PATENT DOCUMENTS

D681,695	S	*	5/2013	Lee	D15/86
D684,609	S	*	6/2013	Seo	D15/86
D692,033	S	*	10/2013	Choi	D15/86
D714,848	S	*	10/2014	Park	D15/91
D724,113	S	*	3/2015	Seo	D15/85
D742,431	S	*	11/2015	Seo	D15/86
D761,333	S	*	7/2016	Lee	D15/86
D768,735	S	*	10/2016	Choi	D15/89

(73) Assignee: **Samsung Electronics Co., Ltd.**,
Suwon-si (KR)

(**) Term: **15 Years**

FOREIGN PATENT DOCUMENTS

(21) Appl. No.: **29/561,341**

CN	2009301794658	12/2009
CN	201130452456.9	10/2012
JP	D1358375	5/2009
KR	30-2011-0031651	1/2013
KR	30-2014-0003701	9/2014

(22) Filed: **Apr. 15, 2016**

* cited by examiner

(30) **Foreign Application Priority Data**

Nov. 16, 2015 (KR) 30-2015-0057631

(51) **LOC (10) Cl.** **15-07**

Primary Examiner — Ian Simmons

(52) **U.S. Cl.**

Assistant Examiner — Khawaja Anwar

USPC **D15/85**

(74) *Attorney, Agent, or Firm* — NSIP Law

(58) **Field of Classification Search**

(57) **CLAIM**

USPC D15/79–91

We claim the ornamental design for a refrigerator, as shown and described.

CPC F25D 25/025; F25D 23/028; F25D

2323/024; F25D 23/00; F25D 23/02;

F25D 2323/021; F25D 23/065; F25D

11/00; F25D 2201/14; F25D 23/021;

F25D 23/025; F25D 23/04; F25D 27/00;

F25D 23/062; F25D 23/067; F25D

2400/18; F25D 23/08; F25D 23/085;

F25D 2500/02; F25D 25/00; F25D

25/005; F25D 25/022; F25D 25/024;

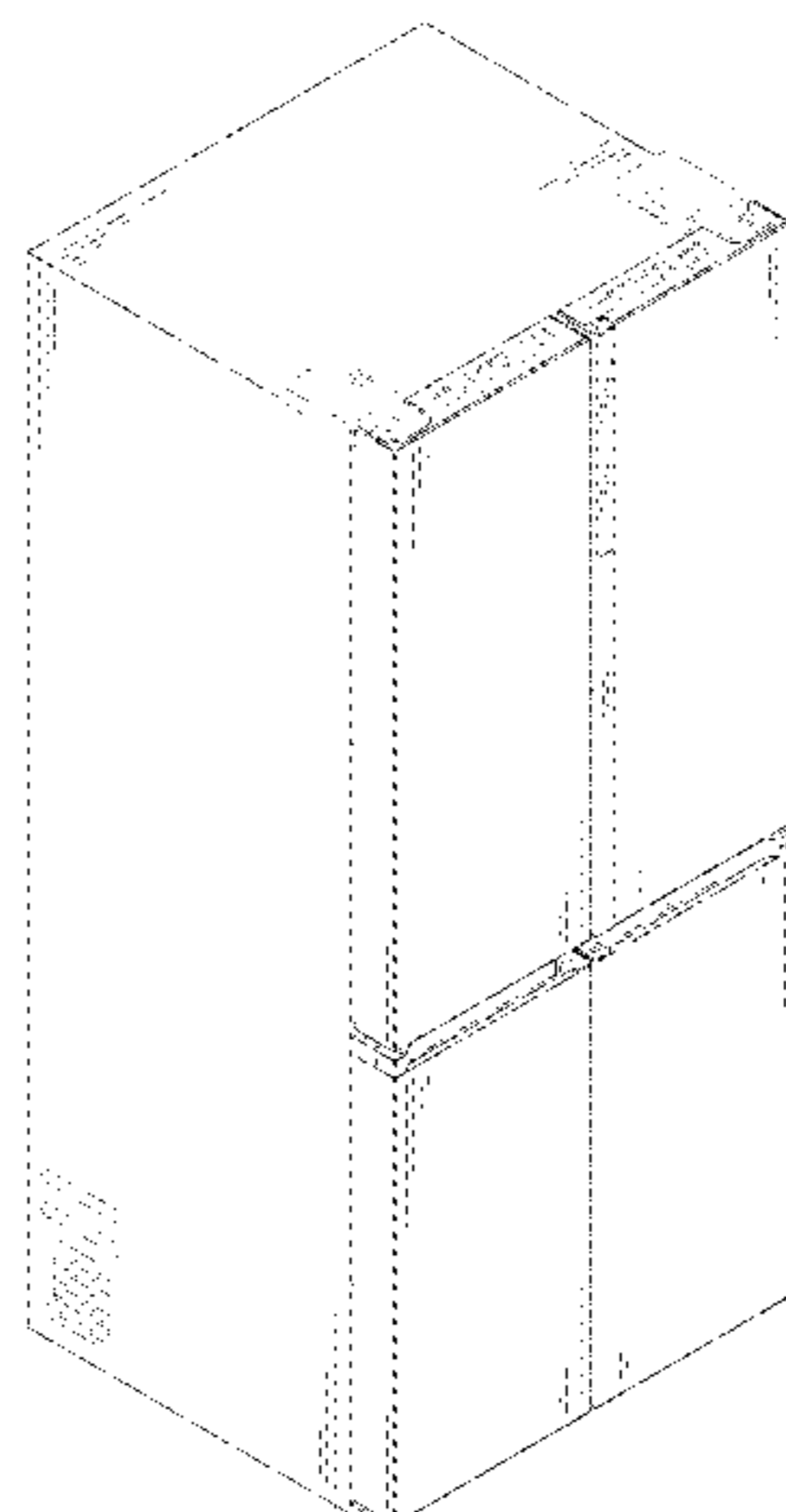
F25D 17/047; F25D 2317/041; F25D

2317/04131; F25D 2317/043; F25D

DESCRIPTION

FIG. 1 is a front perspective view of a refrigerator showing our new design;
FIG. 2 is a front view thereof;
FIG. 3 is a rear view thereof;
FIG. 4 is a left-side view thereof;
FIG. 5 is a right-side view thereof;
FIG. 6 is a top view thereof; and,
FIG. 7 is a bottom view thereof.

(Continued)



The broken lines in the figures depict environmental subject matter and form no part of the claimed design.

1 Claim, 6 Drawing Sheets

FIG. 1

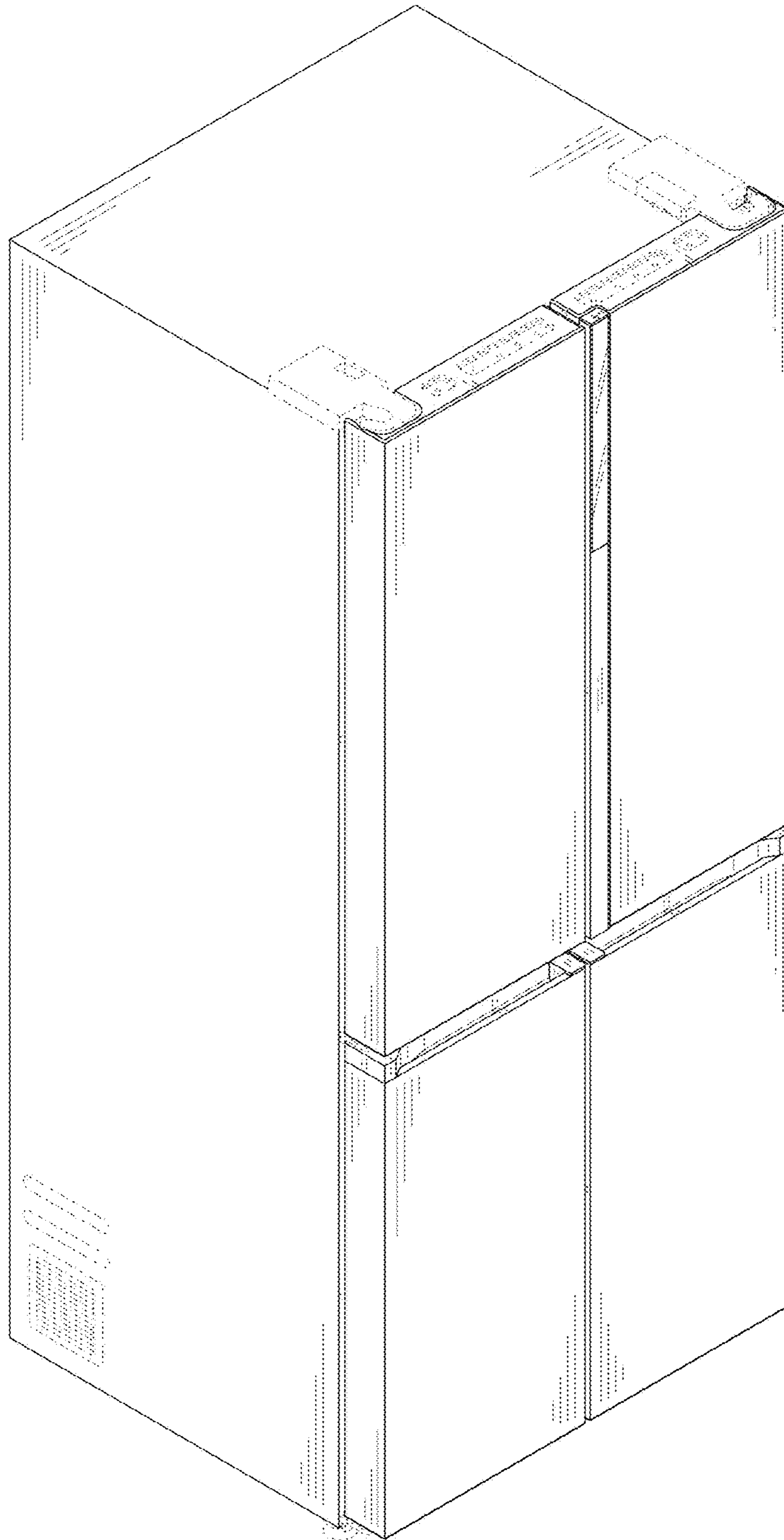


FIG. 2

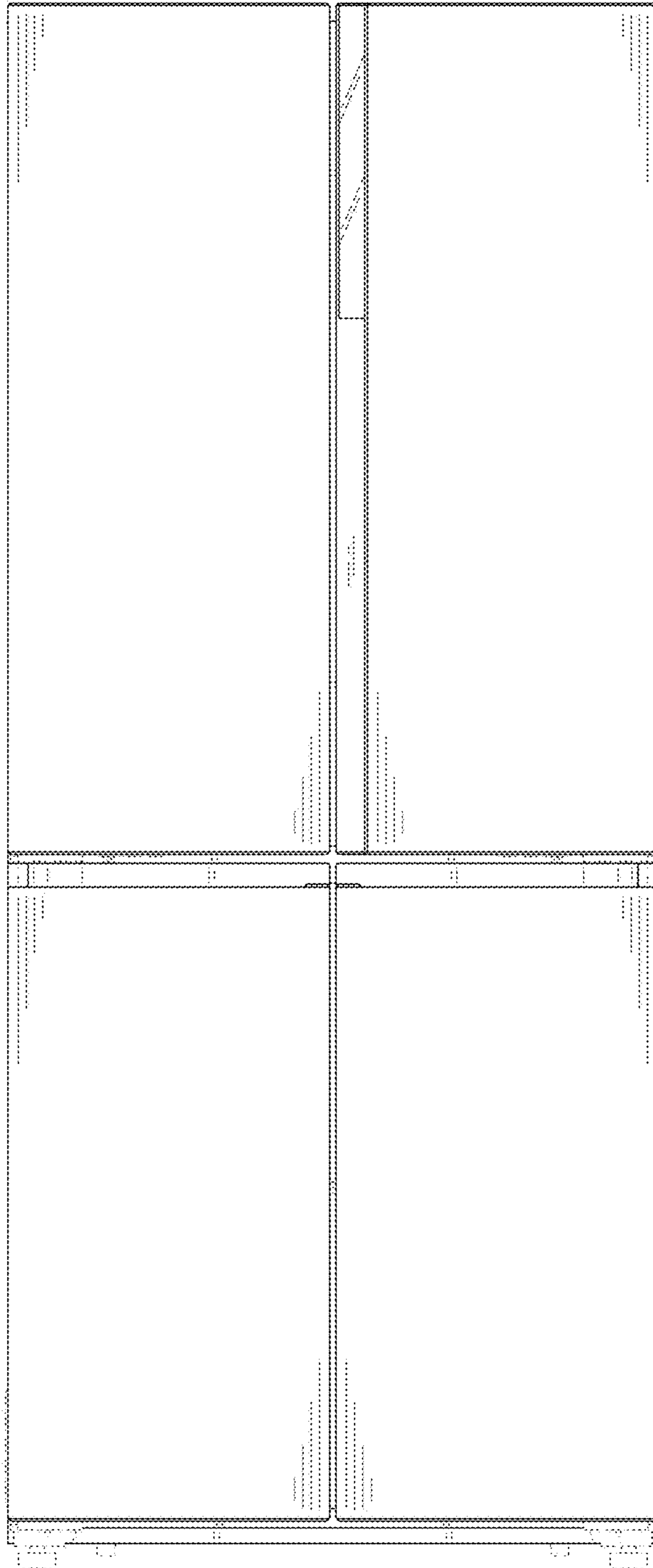


FIG. 3

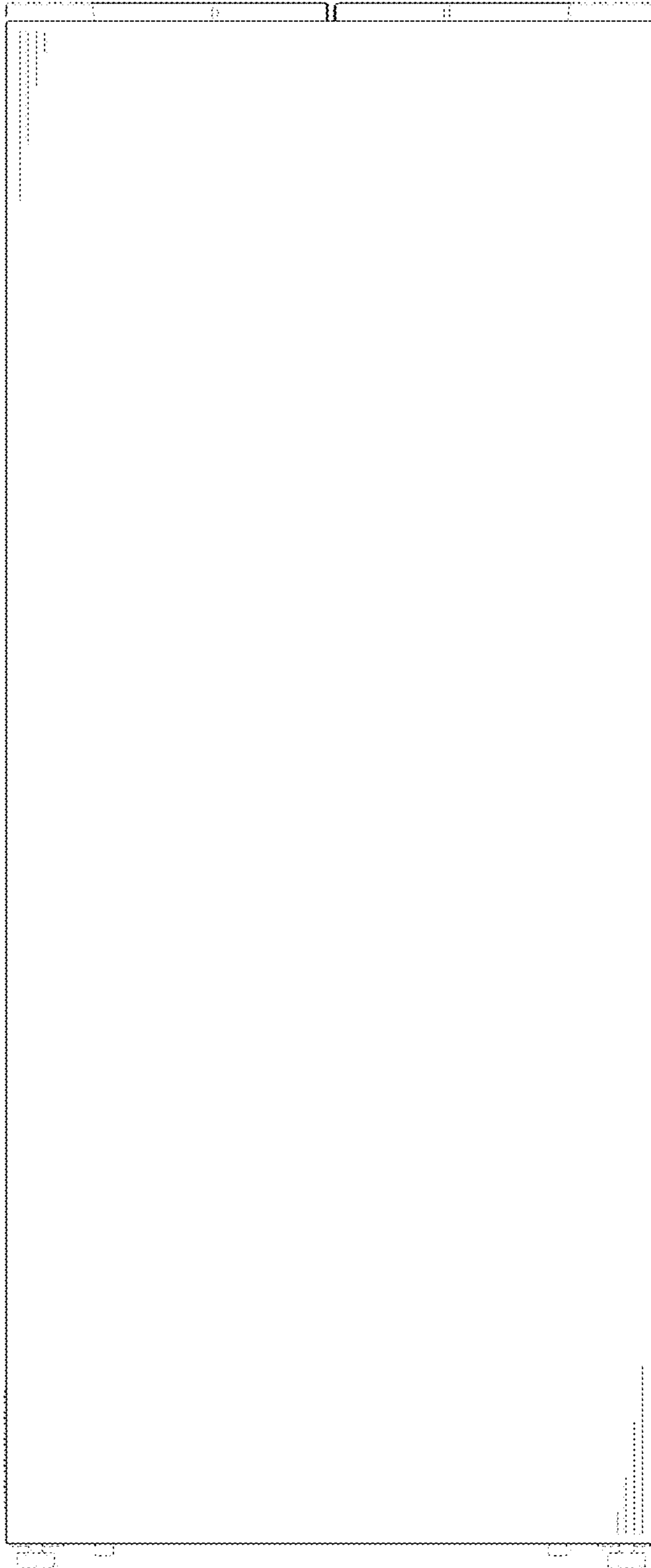


FIG. 4

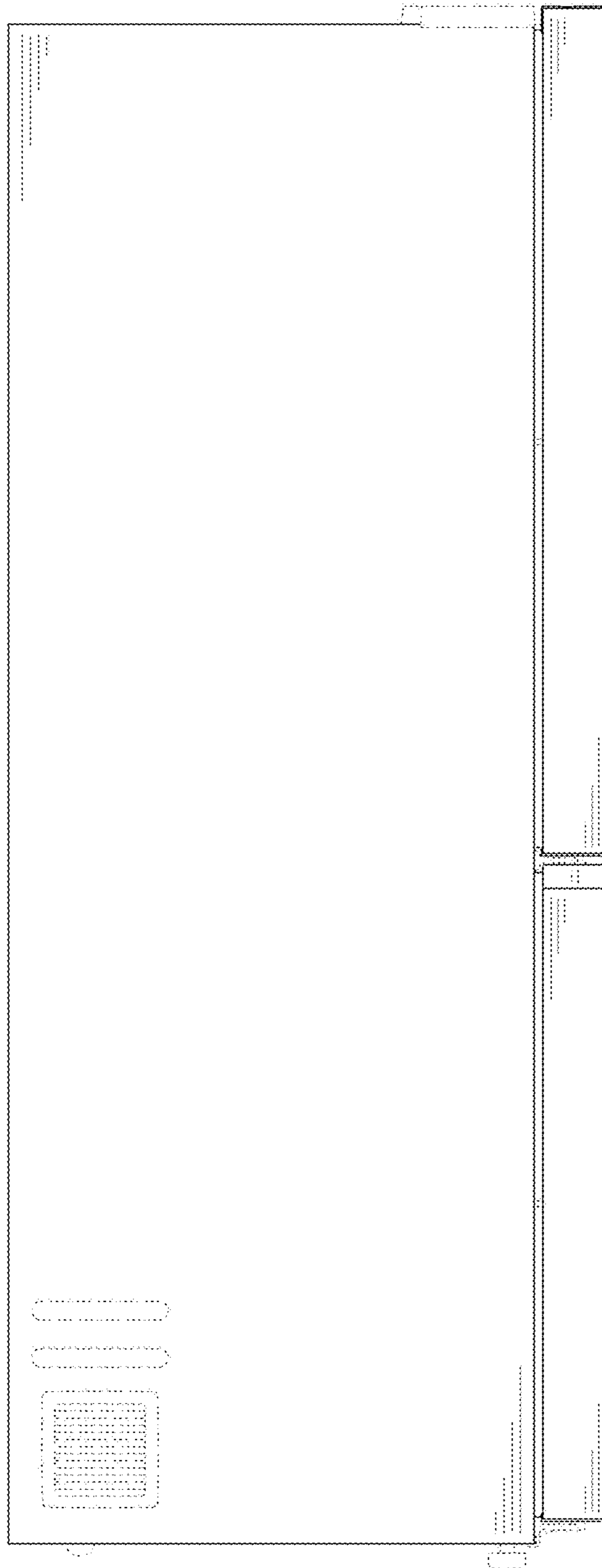


FIG. 5

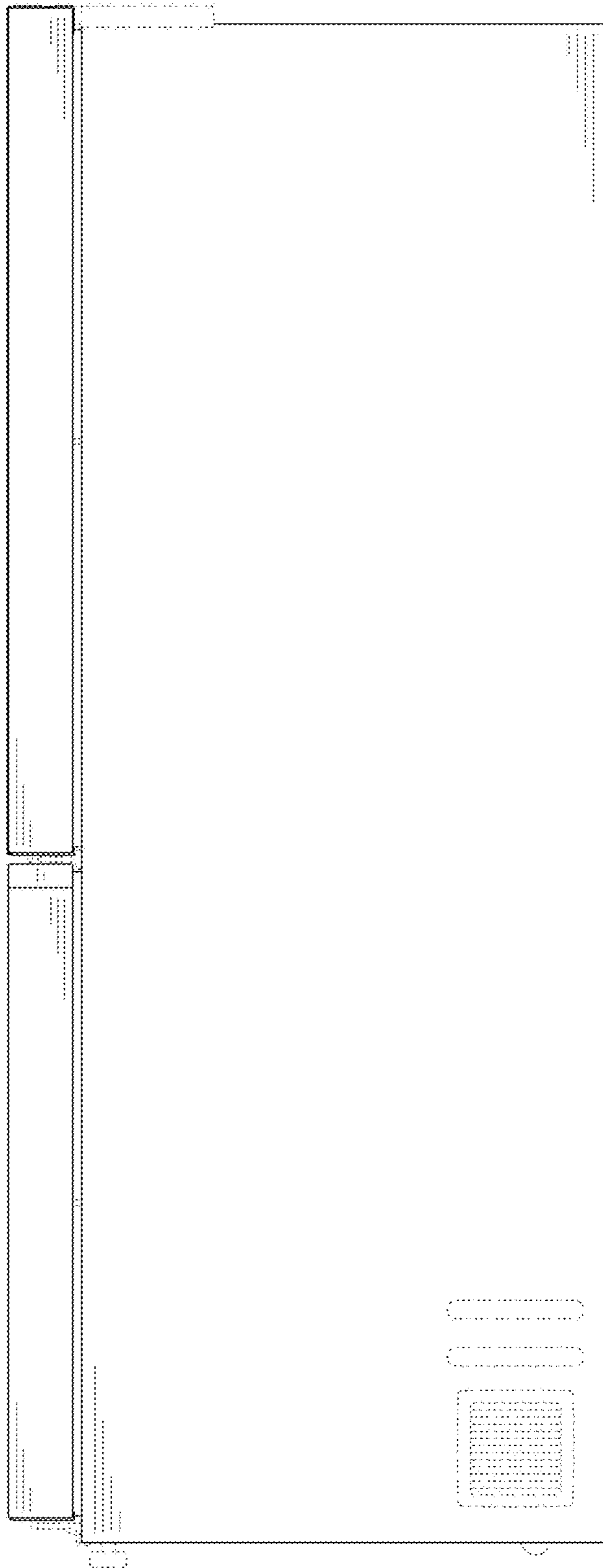


FIG. 6

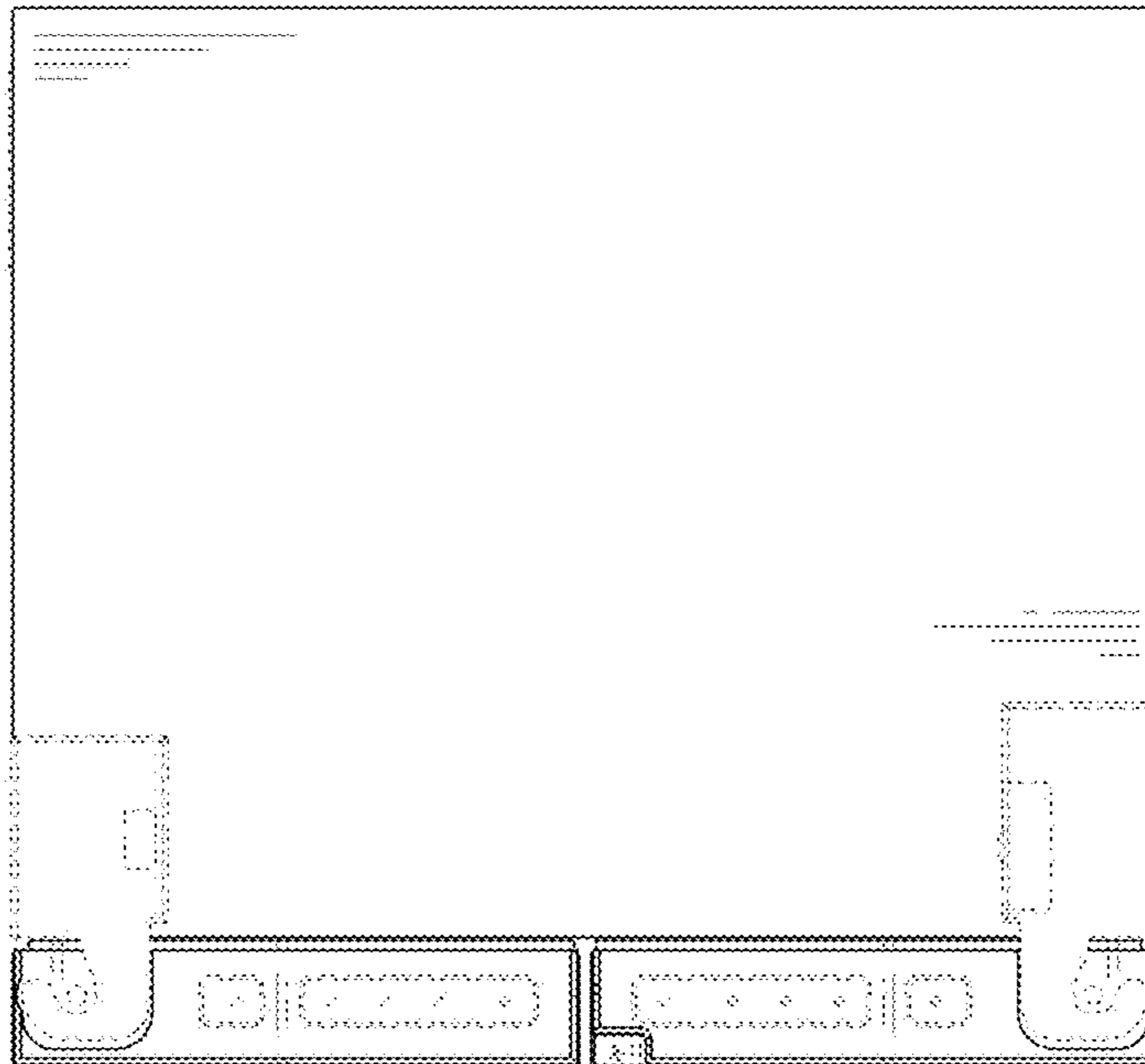


FIG. 7

