



US00D786316S

(12) **United States Design Patent**
Lee et al.

(10) **Patent No.:** **US D786,316 S**
(45) **Date of Patent:** **** May 9, 2017**

(54) **REFRIGERATOR**

(71) Applicant: **SAMSUNG ELECTRONICS CO., LTD.**, Suwon-si (KR)

(72) Inventors: **Junkyo Lee**, Seongnam-si (KR);
Jangwon Kim, Seoul (KR);
Choongeun Lee, Seoul (KR)

(73) Assignee: **SAMSUNG ELECTRONICS CO., LTD.**, Gyeonggi-Do (KR)

(**) Term: **15 Years**

(21) Appl. No.: **29/558,867**

(22) Filed: **Mar. 22, 2016**

(30) **Foreign Application Priority Data**

Sep. 30, 2015 (KR) 30-2015-0049321

(51) **LOC (10) Cl.** **15-07**

(52) **U.S. Cl.**
USPC **D15/85**

(58) **Field of Classification Search**

USPC D15/79-91

CPC F25D 27/00; F25D 2323/021; F25D 23/00;

F25D 23/02; F25D 2400/361; F25D

2500/06; F25D 25/025; F25D 29/00;

F25D 29/005; F25D 11/00; F25D 11/02;

F25D 17/062; F25D 17/067; F25D 17/08;

F25D 21/04; F25D 2201/10; F25D

2325/021; F25D 23/028; F25D 23/04;

F25D 23/062; F25D 23/067; F25D 23/12;

F25D 2400/02; F25D 2400/40; F25D

25/02; F25D 25/024; F25D 2600/00;

F25D 2700/00; F25D 2700/02; F25D

2700/06; F25D 2700/08; F25D 2700/16

See application file for complete search history.

(56) **References Cited**

U.S. PATENT DOCUMENTS

D523,032 S * 6/2006 Seo D15/86

D607,018 S * 12/2009 Ai D15/87

D607,019 S * 12/2009 Becke D15/87
D718,348 S * 11/2014 Kim D15/81
D719,193 S * 12/2014 Park D15/79
D720,782 S * 1/2015 Qiang D15/86

(Continued)

FOREIGN PATENT DOCUMENTS

CN 300985854 8/2009

CN 301853736 S 3/2012

CN 302393419 S 4/2013

(Continued)

Primary Examiner — Ian Simmons

Assistant Examiner — Khawaja Anwar

(74) *Attorney, Agent, or Firm* — Cantor Colburn LLP

(57) **CLAIM**

The ornamental design for a refrigerator, as shown and described.

DESCRIPTION

FIG. 1 is a perspective view of a refrigerator, showing our new design;

FIG. 2 is a front view thereof;

FIG. 3 is a rear view thereof;

FIG. 4 is a side view thereof;

FIG. 5 is another side view thereof;

FIG. 6 is a top view thereof;

FIG. 7 is a bottom view thereof;

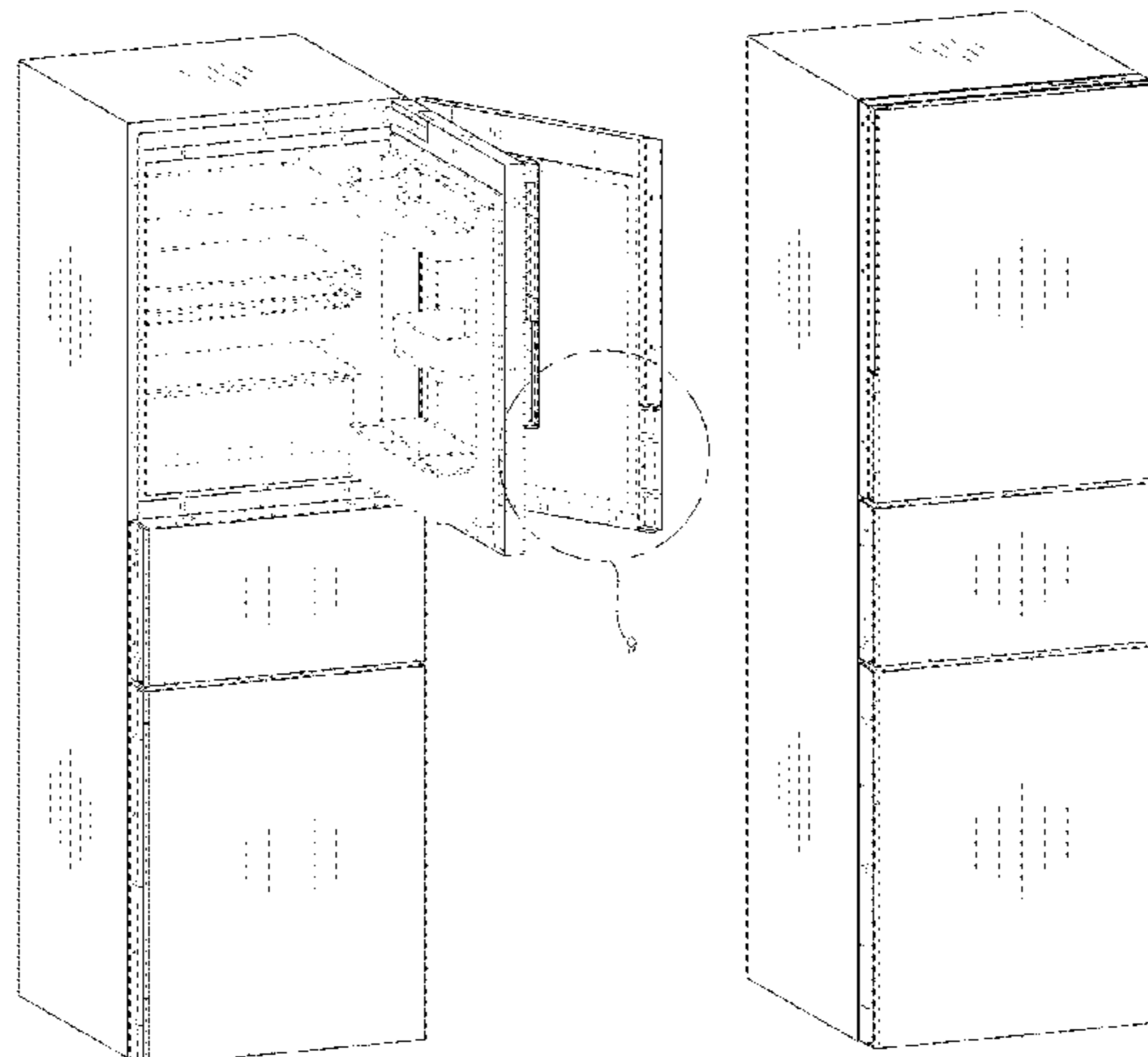
FIG. 8 is another perspective view thereof as shown in a closed door configuration; and,

FIG. 9 is an enlarged view of the encircled portion 9 of FIG. 1.

The broken lines illustrating portions of the refrigerator form no part of the claimed design.

The dot-dash broken lines encircling enlargement portions of the design form no part of the claimed design.

1 Claim, 9 Drawing Sheets



(56)

References Cited

U.S. PATENT DOCUMENTS

D722,089 S * 2/2015 Qiang D15/86
D773,539 S * 12/2016 Kim D15/86

FOREIGN PATENT DOCUMENTS

EM 0023237820001 10/2013
JP 0617628001 12/1987

* cited by examiner

FIG. 1

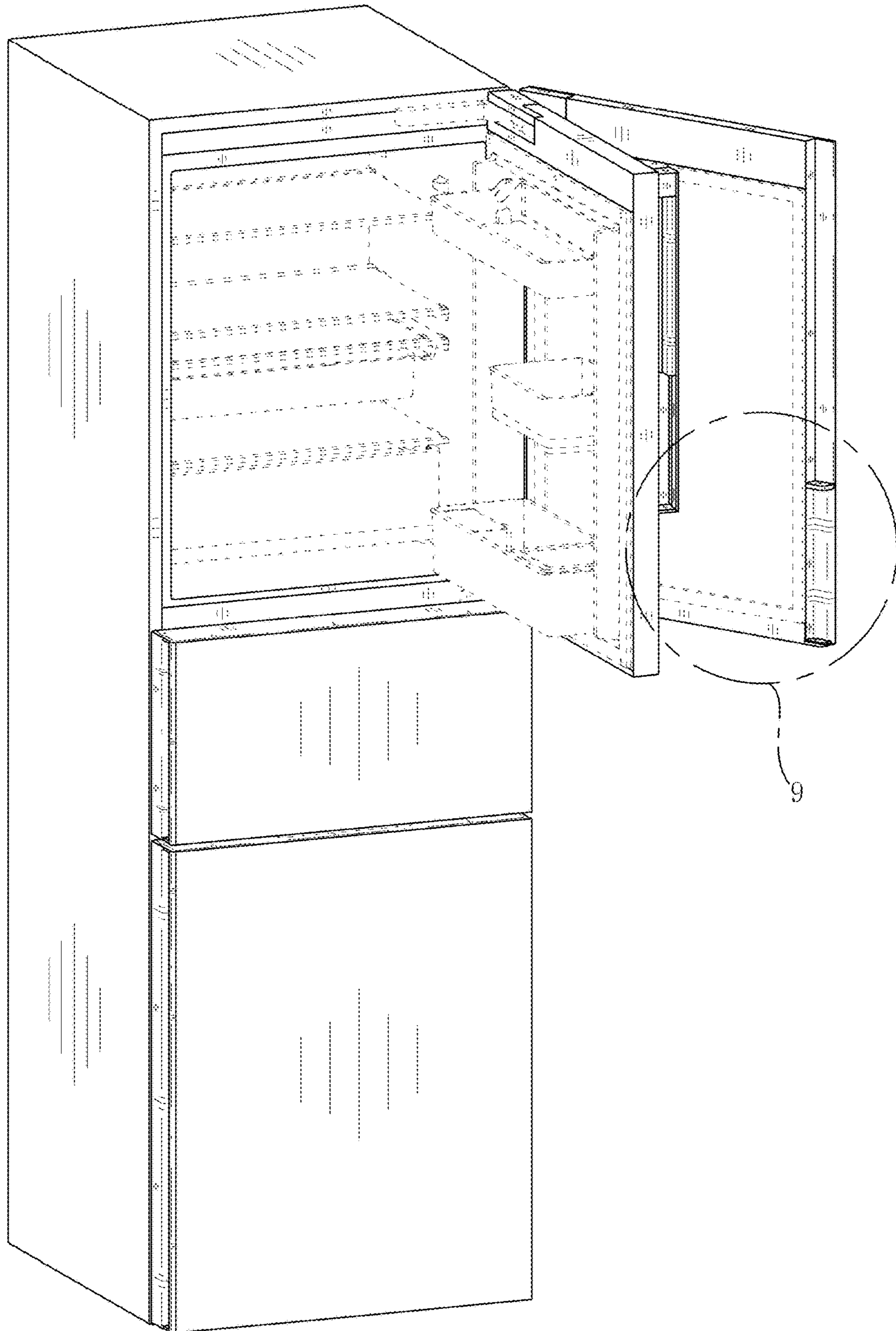


FIG. 2

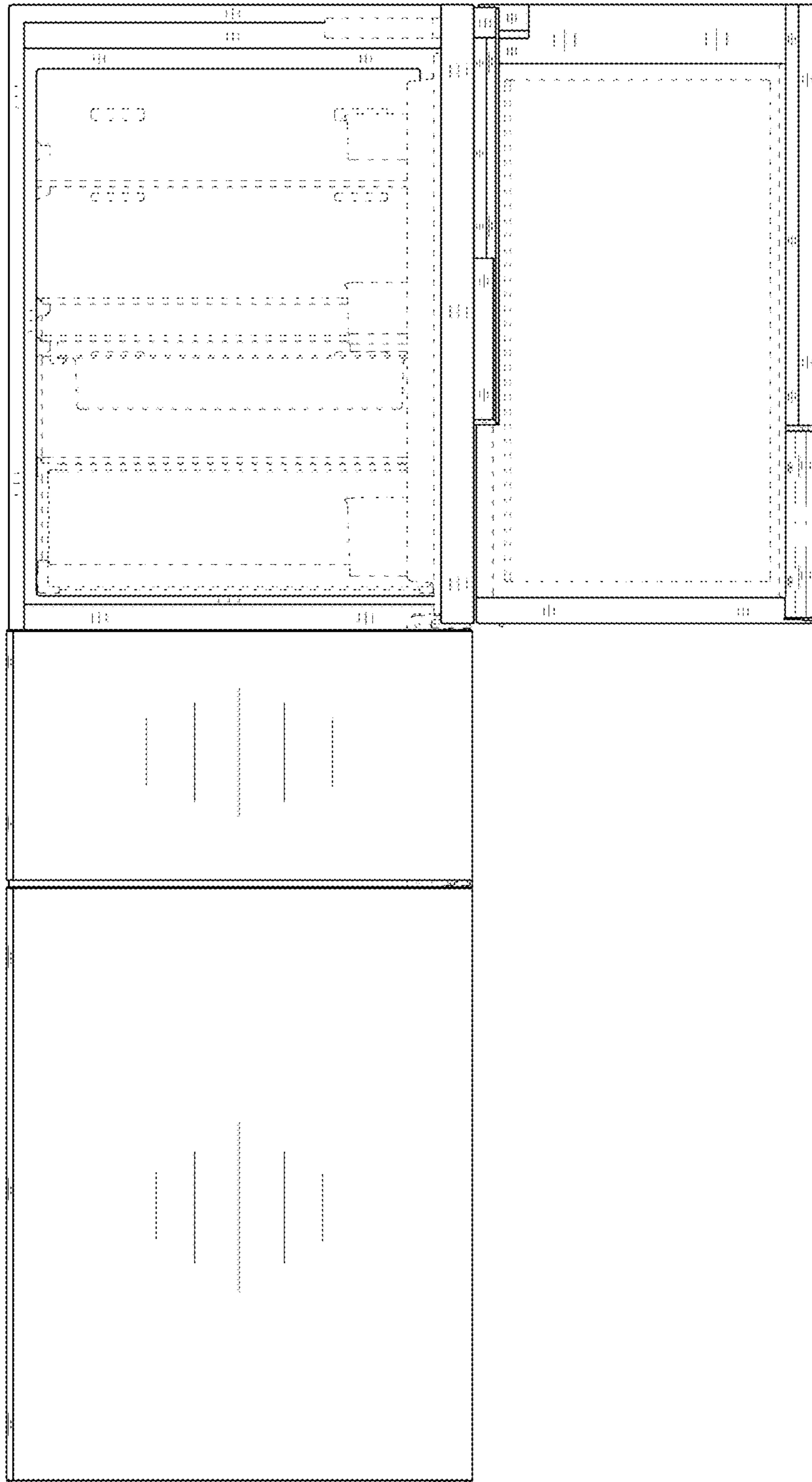


FIG. 3

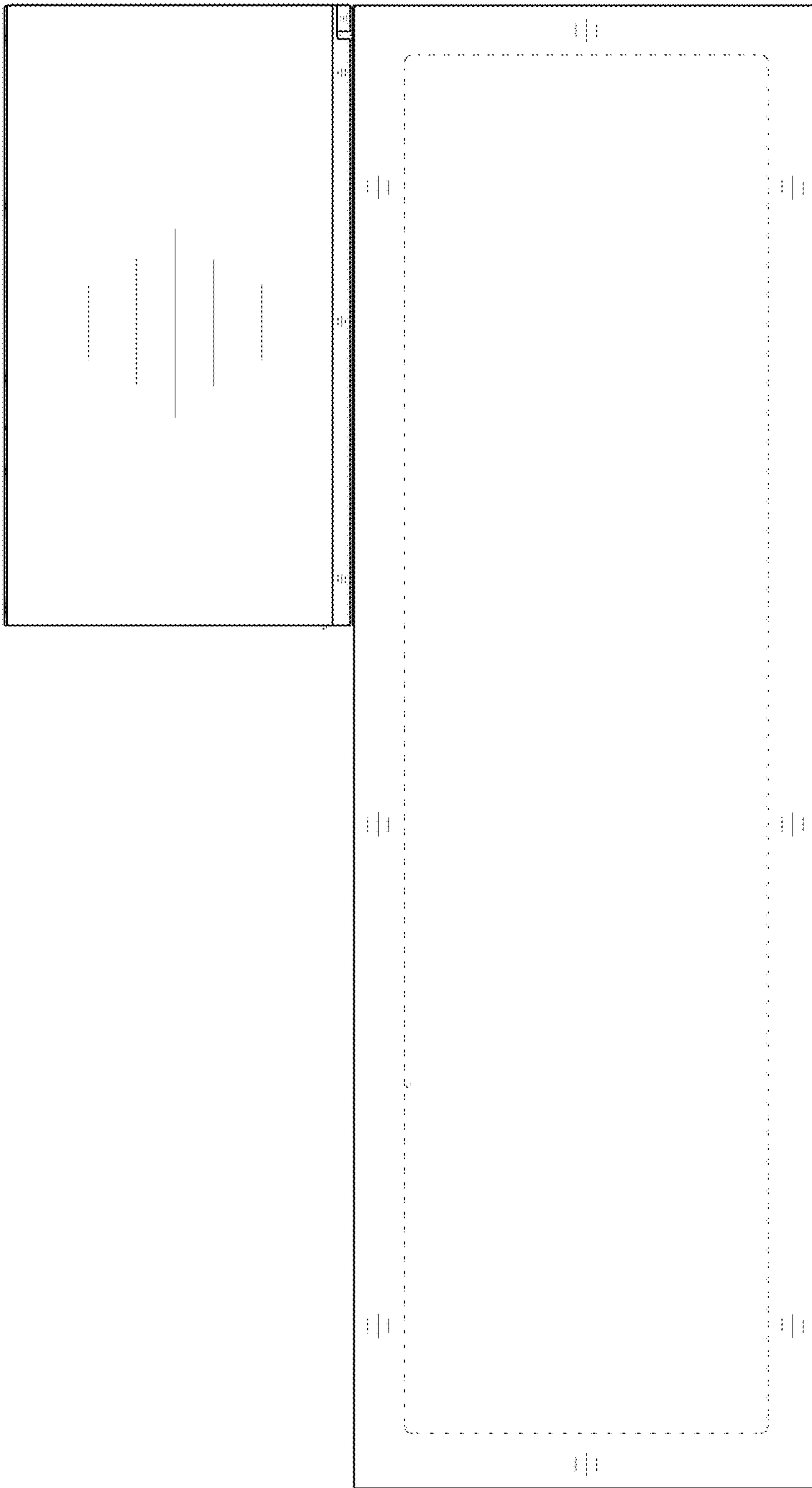


FIG. 4

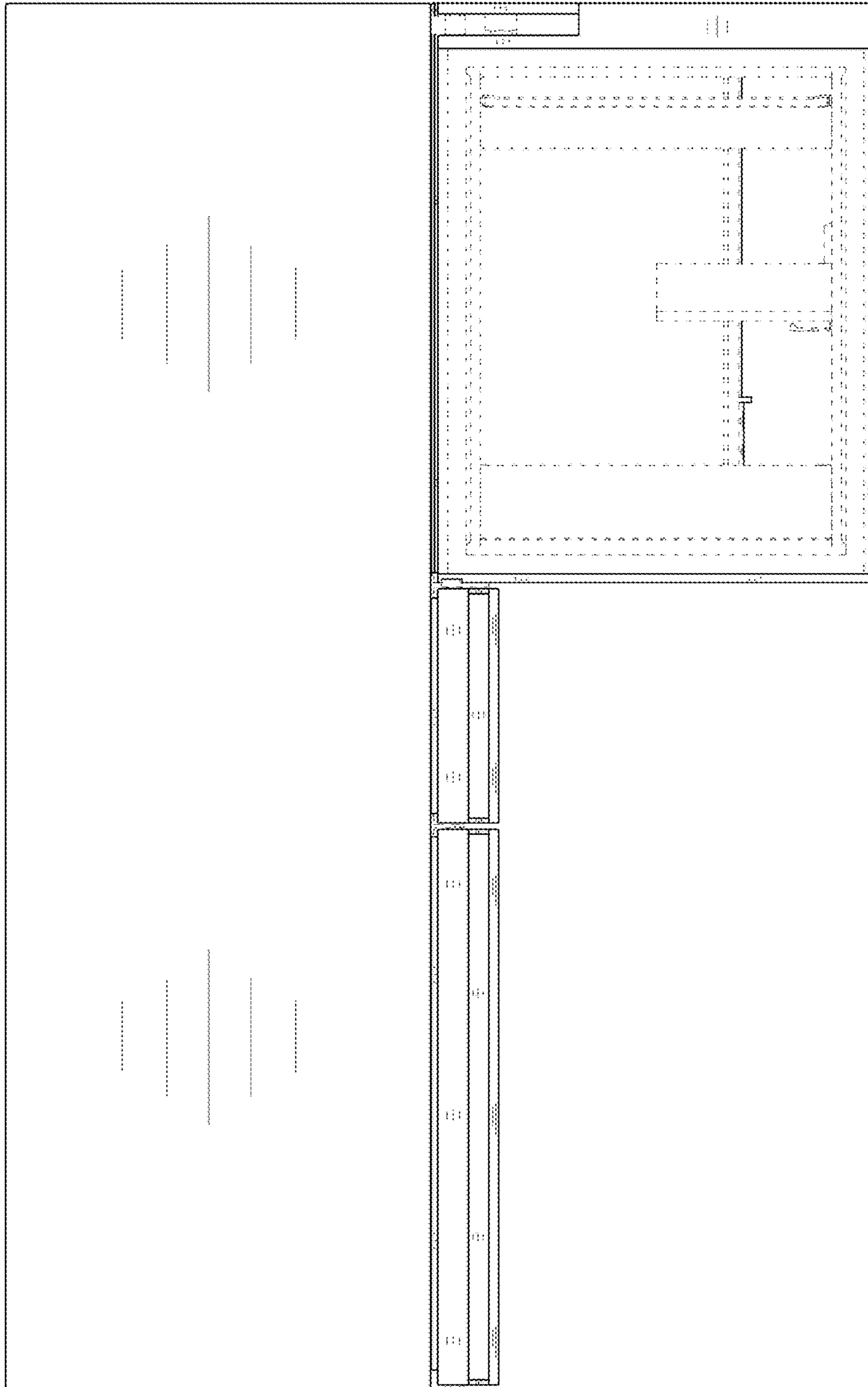


FIG. 5

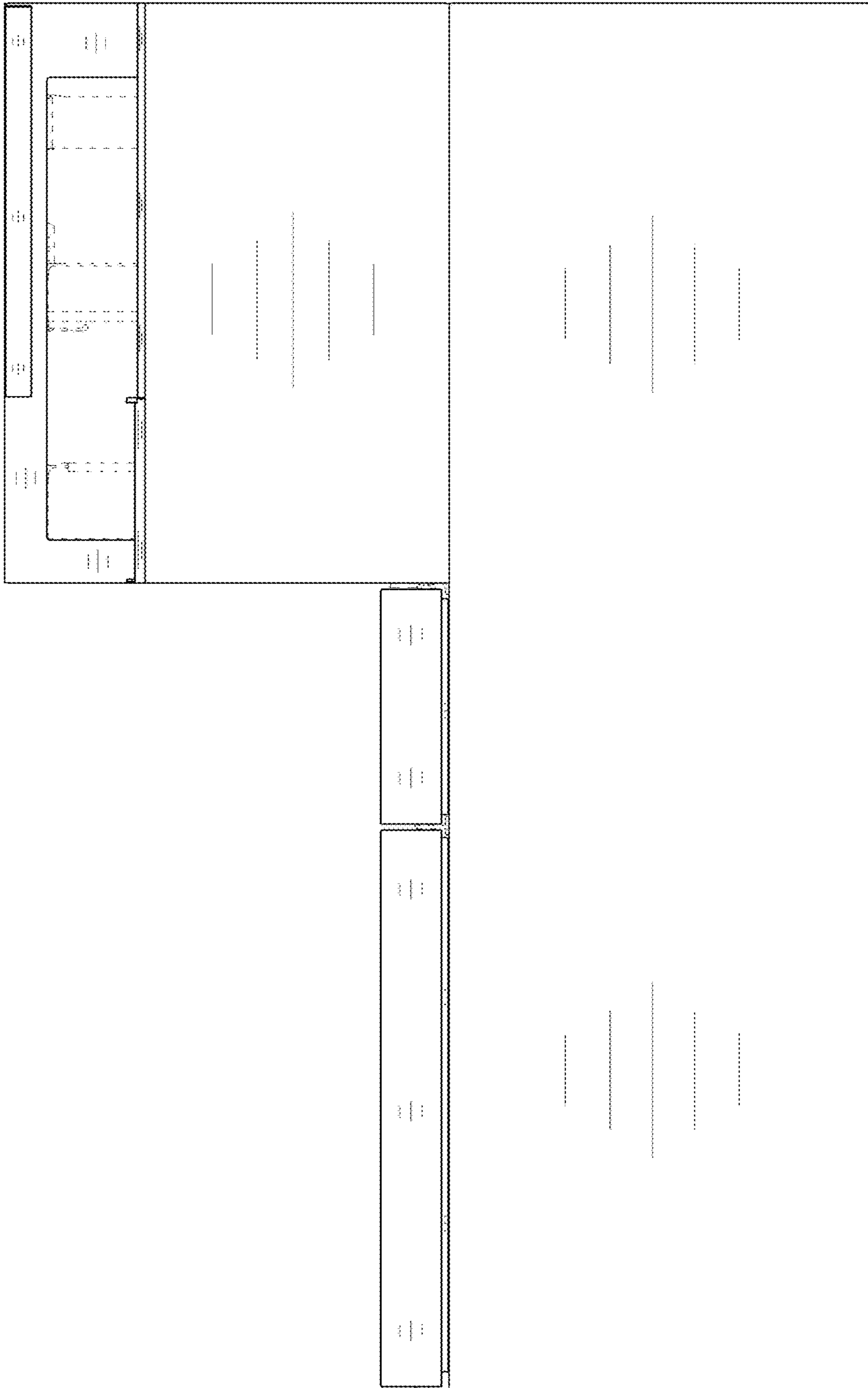


FIG. 6

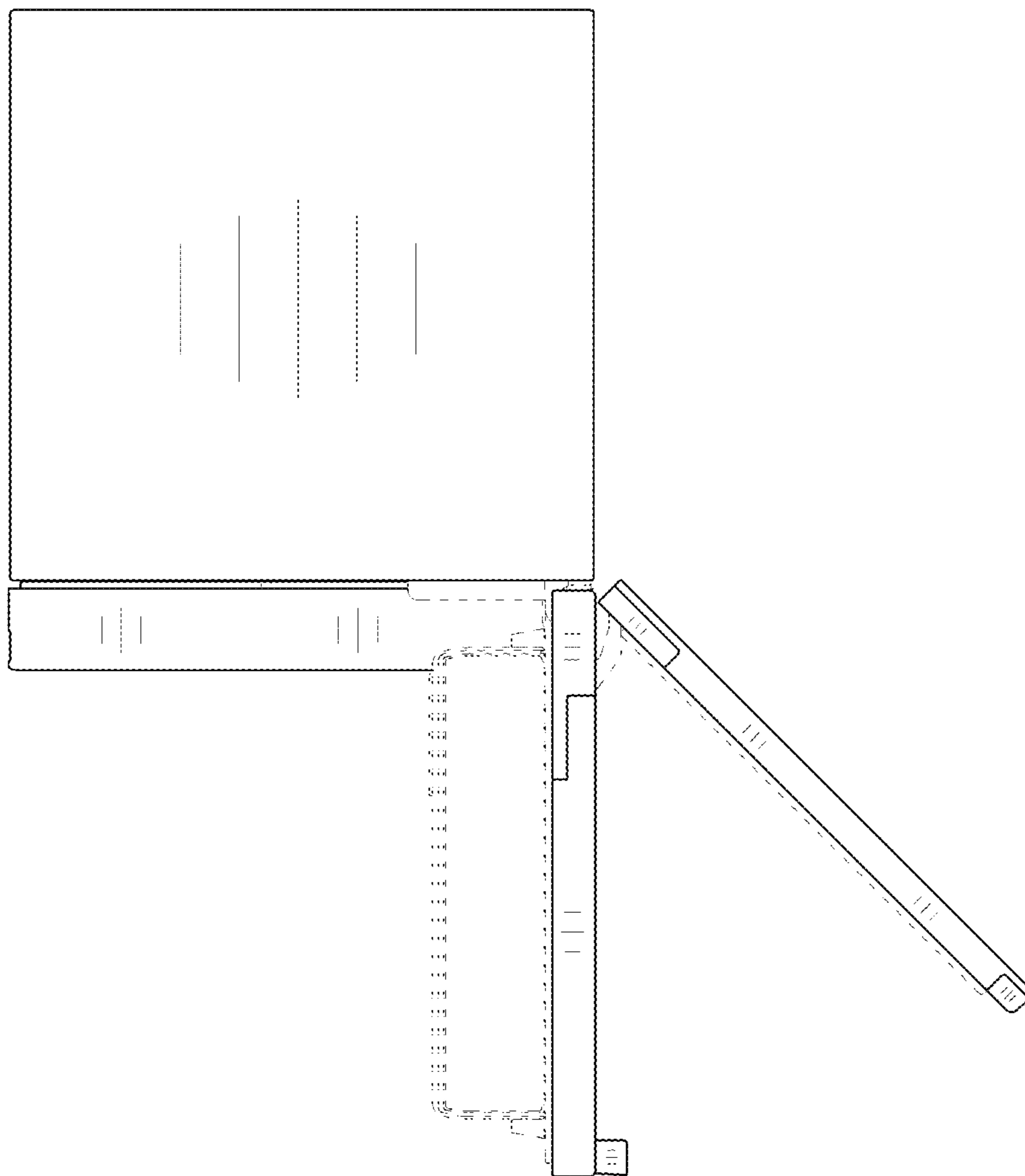


FIG. 7

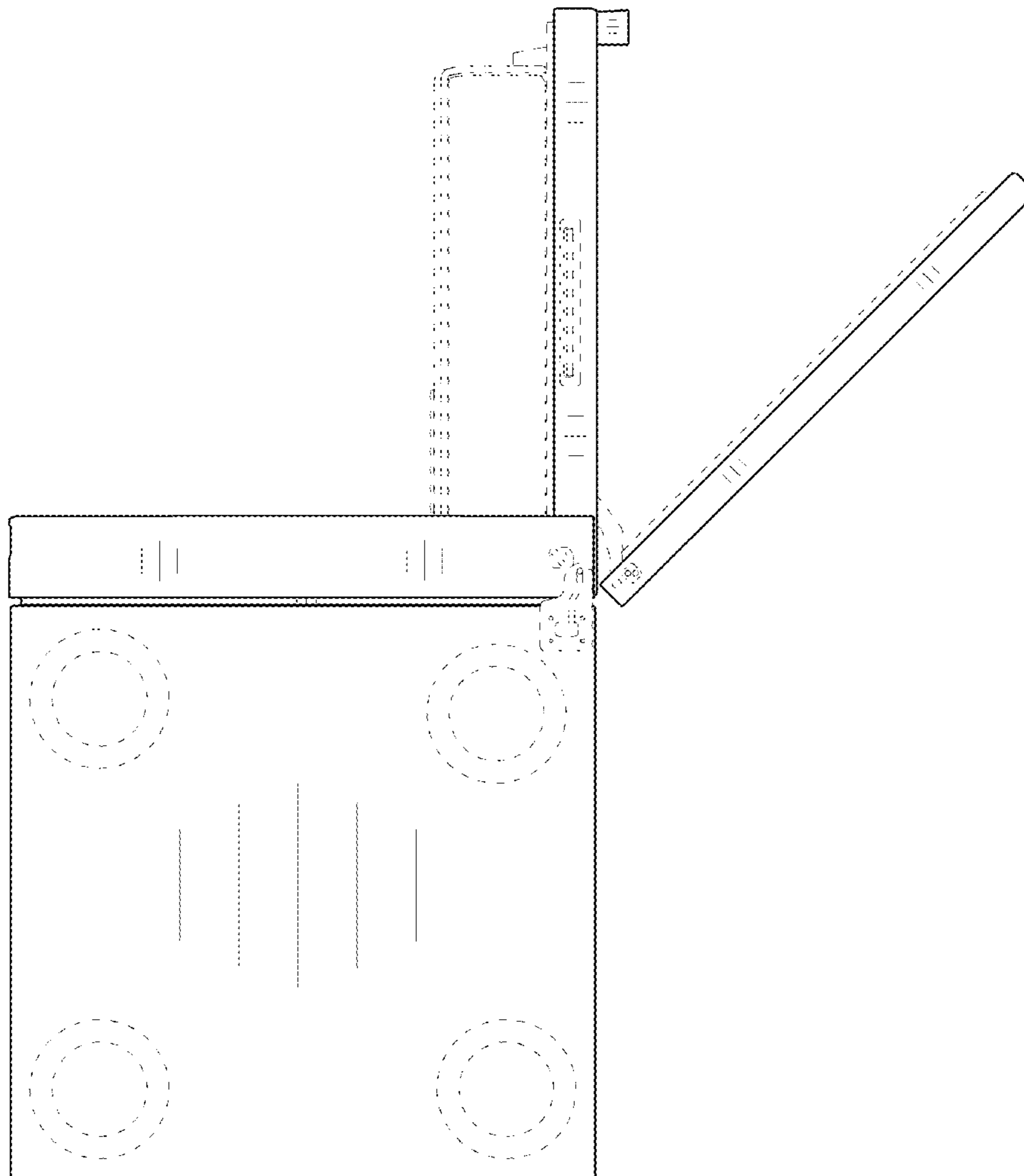


FIG. 8

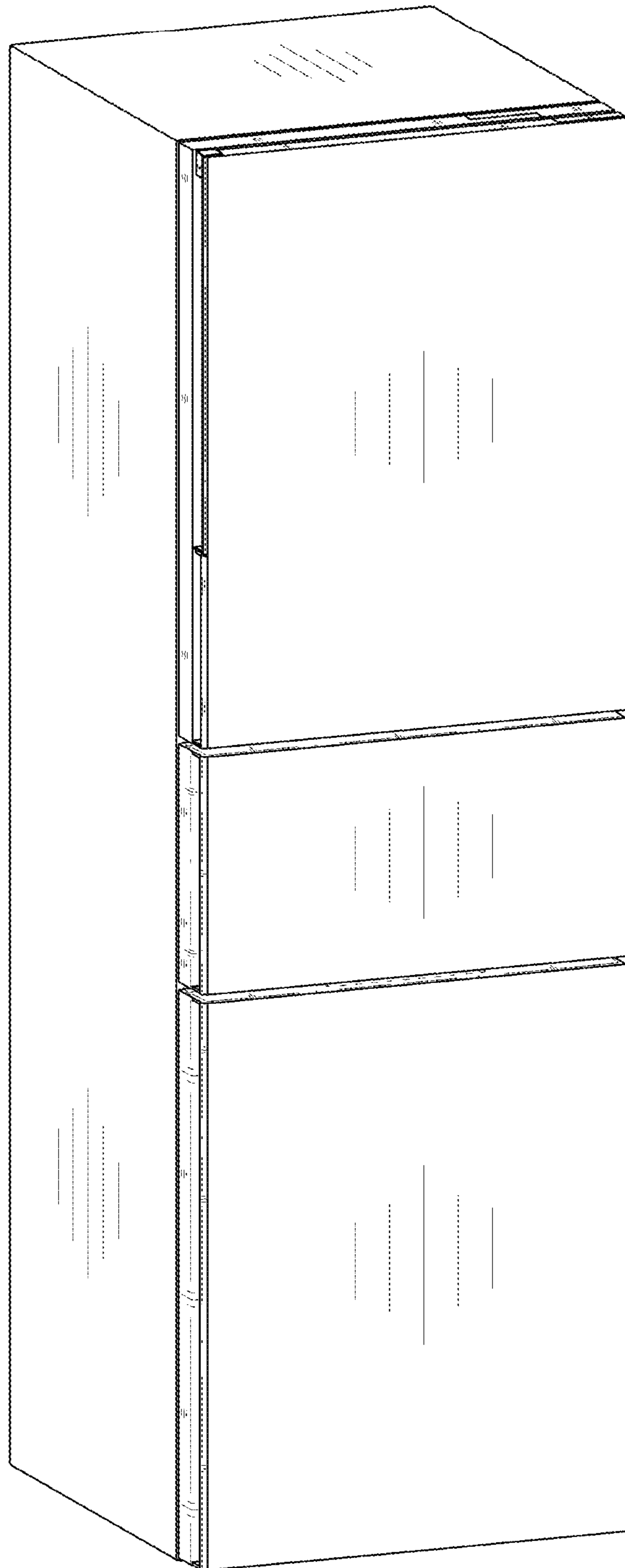


FIG. 9

